



US00D986093S

(12) **United States Design Patent**
Imperiali

(10) **Patent No.:** **US D986,093 S**

(45) **Date of Patent:** **** May 16, 2023**

(54) **RING**

(71) Applicant: **De Beers UK Limited**, London (GB)

(72) Inventor: **Federica Imperiali**, Milan (IT)

(73) Assignee: **De Beers UK Limited**, London (GB)

(**) Term: **15 Years**

(21) Appl. No.: **29/762,583**

(22) Filed: **Dec. 17, 2020**

(30) **Foreign Application Priority Data**

Jun. 18, 2020 (EM) 8009773

(51) **LOC (14) Cl.** **11-01**

(52) **U.S. Cl.**
USPC **D11/29**

(58) **Field of Classification Search**
USPC D11/1-8, 20-23, 26-30, 34-39
CPC A44C 5/0092; A44C 9/00
See application file for complete search history.

(56) **References Cited**

U.S. PATENT DOCUMENTS

D84,026 S *	4/1931	Carlson	D11/34
D84,031 S *	4/1931	Erickson	63/15
5,188,679 A *	2/1993	Kretchmer	A44C 9/00
				63/26
D420,617 S *	2/2000	Mestrum	D11/26
D435,228 S *	12/2000	Hegarty	D11/27
D569,295 S *	5/2008	Doughty	D11/31
D636,695 S *	4/2011	Papadimitriou	D11/34
D637,101 S *	5/2011	Papadimitriou	D11/34
D637,510 S *	5/2011	Papadimitriou	D11/35
D660,742 S *	5/2012	Papadimitriou	D11/34

D665,692 S *	8/2012	Papadimitriou	D11/35
D678,801 S *	3/2013	Takahashi	D11/37
D683,649 S *	6/2013	Papadimitriou	D11/34
D780,013 S *	2/2017	Silvestri	D11/28
D780,016 S *	2/2017	Yatsugi-Kang	D11/34
D798,185 S *	9/2017	Mai	D11/34
D924,091 S *	7/2021	Coin	D11/27

FOREIGN PATENT DOCUMENTS

JP D1713489 * 4/2022

OTHER PUBLICATIONS

Forevermark 18K Avaanti Closed Diamond Ring Bella Cosa pp. 1-6 2022 <https://www.bellacosajewelers.com/products/forevermark-18kw-avaanti-close?> (Year: 2022).*

Forevermark Avaanti™ Closed Ring pp. 1-2 2022 <https://www.forevermark.com/en-us/products/forevermark-avaanti-closed-ring-15534/?v=33079822680146> (Year: 2022).*

* cited by examiner

Primary Examiner — Kevin K Rudzinski
Assistant Examiner — Evans David Delesline
(74) *Attorney, Agent, or Firm* — Dentons US LLP

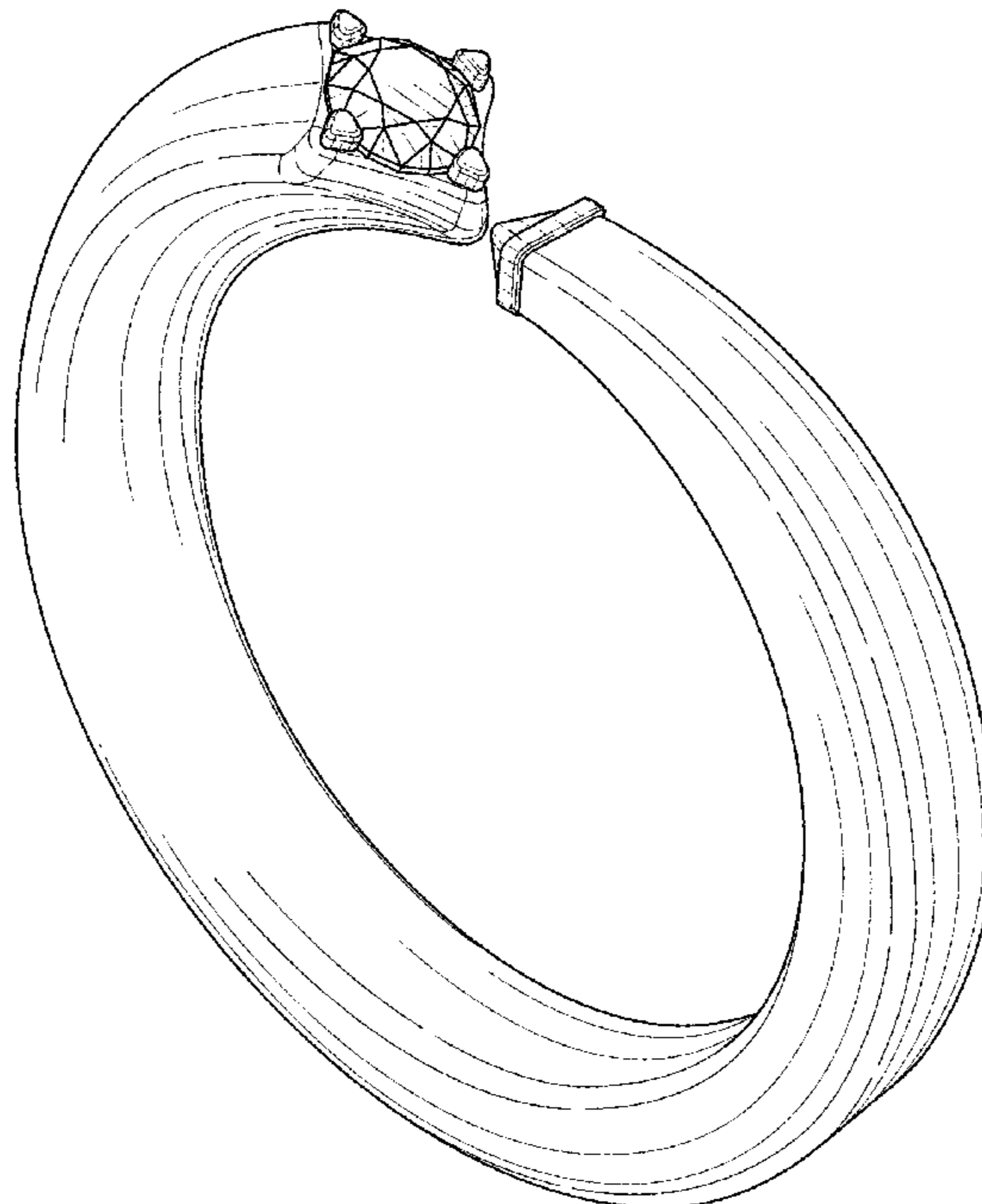
(57) **CLAIM**

The ornamental design for a ring, as shown and described.

DESCRIPTION

FIG. 1 is a top view of a ring;
FIG. 2 is a bottom view of the ring;
FIG. 3 is a left side view of the ring;
FIG. 4 is a right side view of the ring;
FIG. 5 is a front view of the ring;
FIG. 6 is a back view of the ring; and,
FIG. 7 is a front perspective view of the ring.

1 Claim, 7 Drawing Sheets



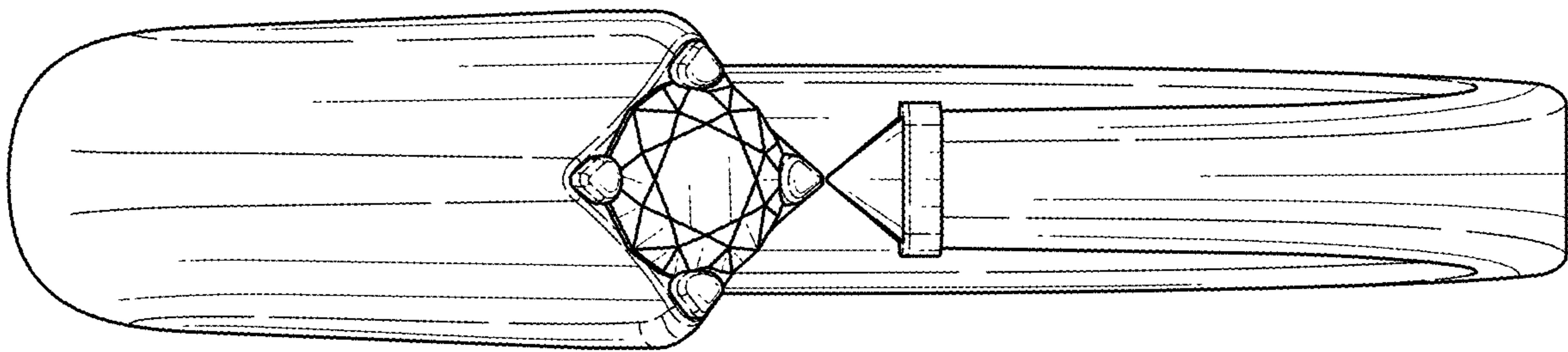


FIG. 1

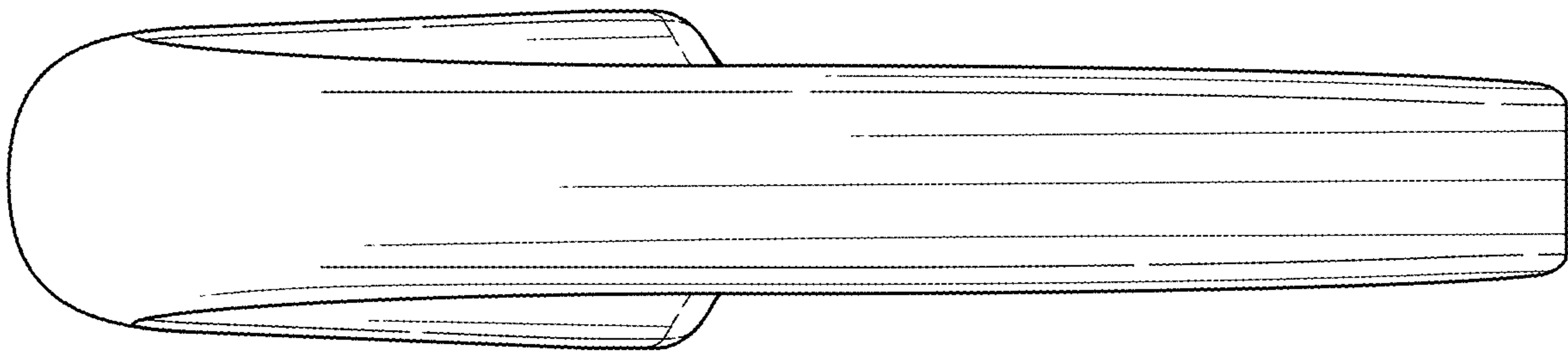


FIG. 2

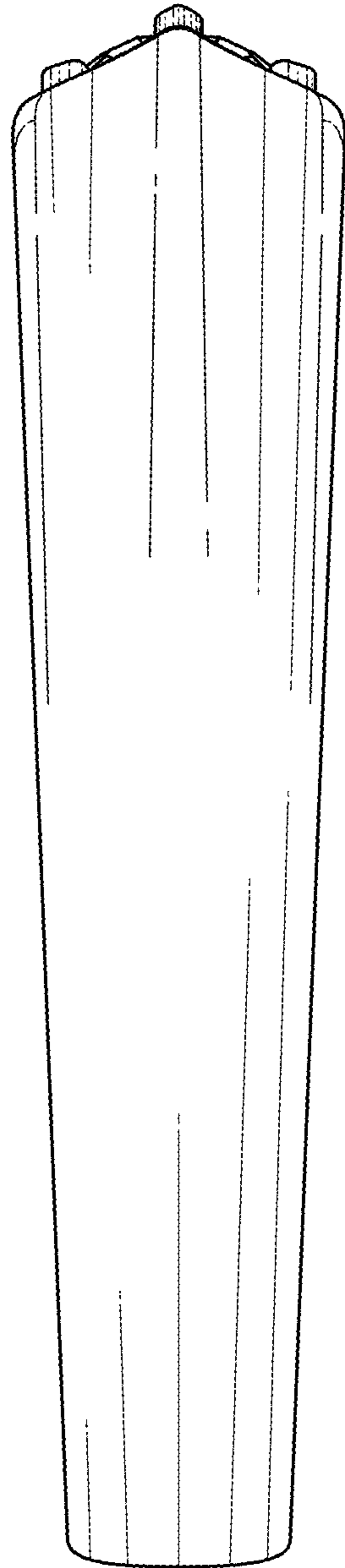


FIG. 3

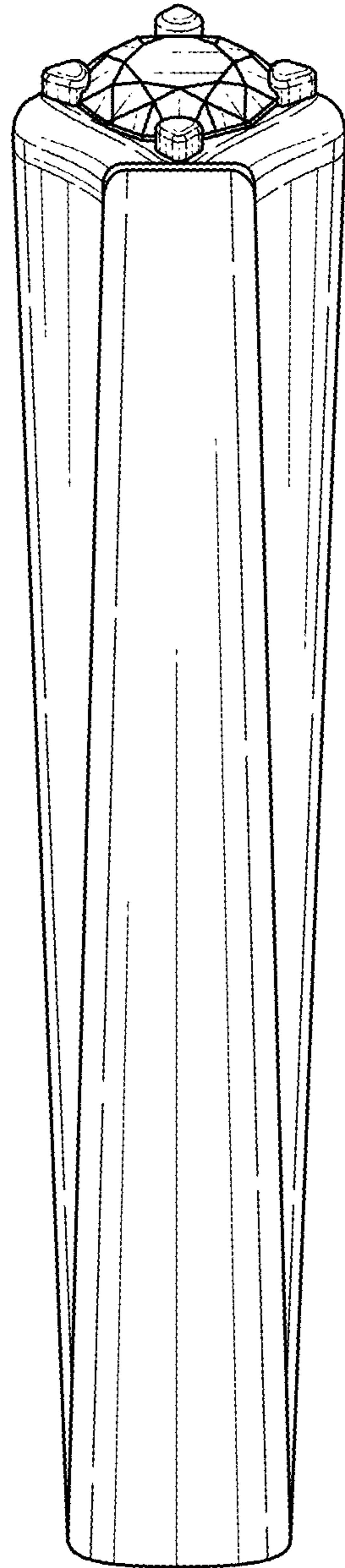


FIG. 4

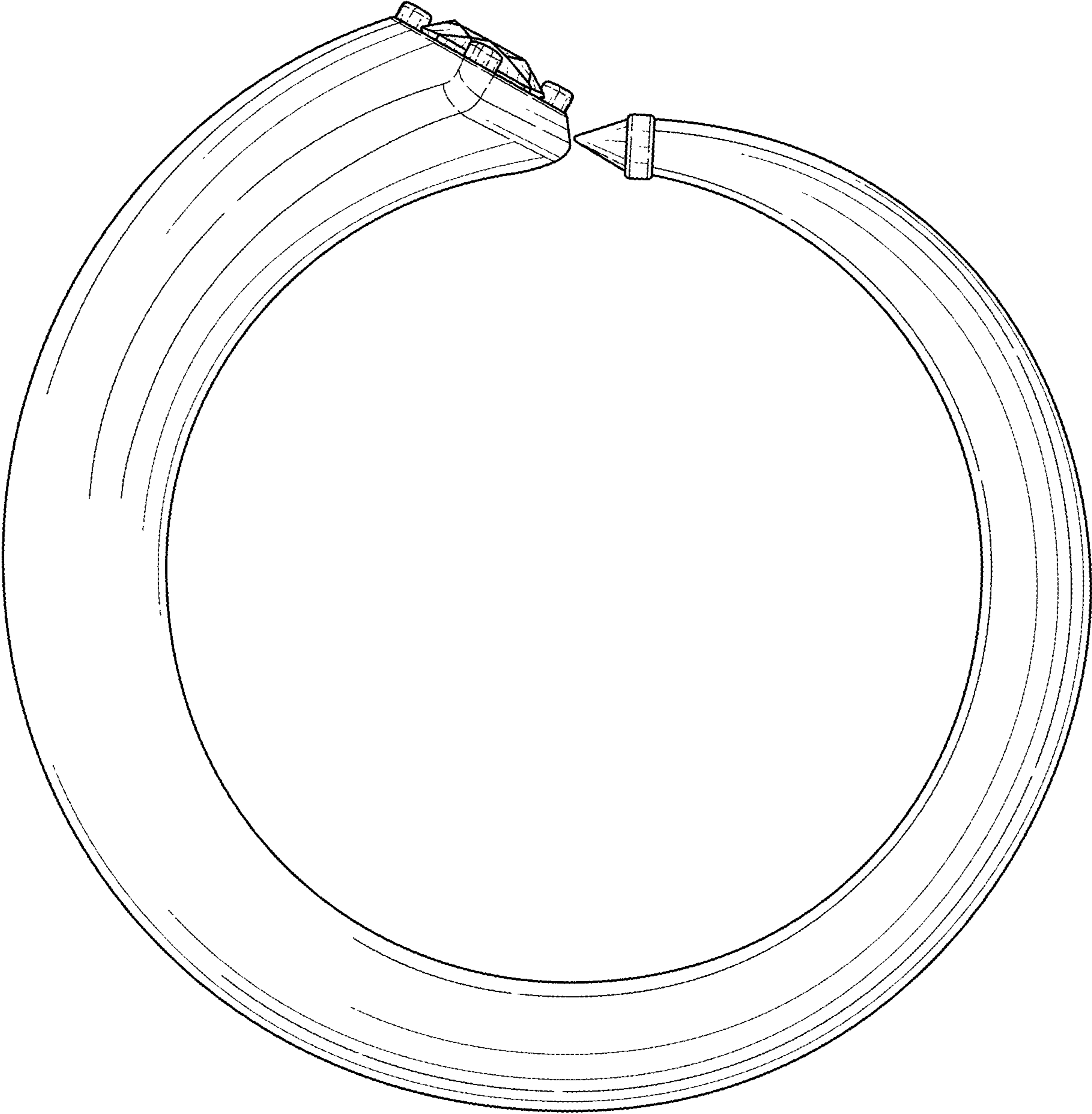


FIG. 5

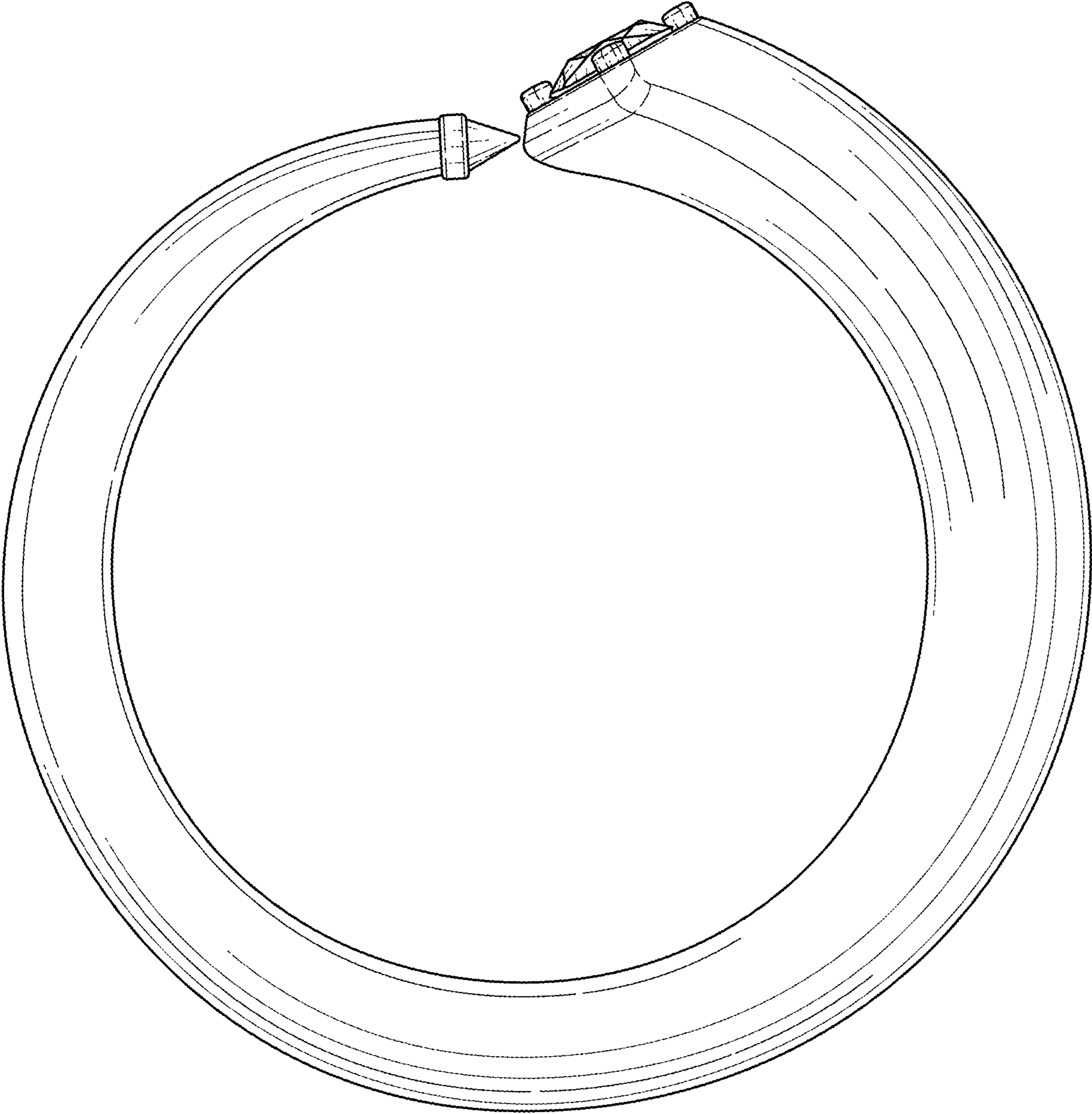


FIG. 6

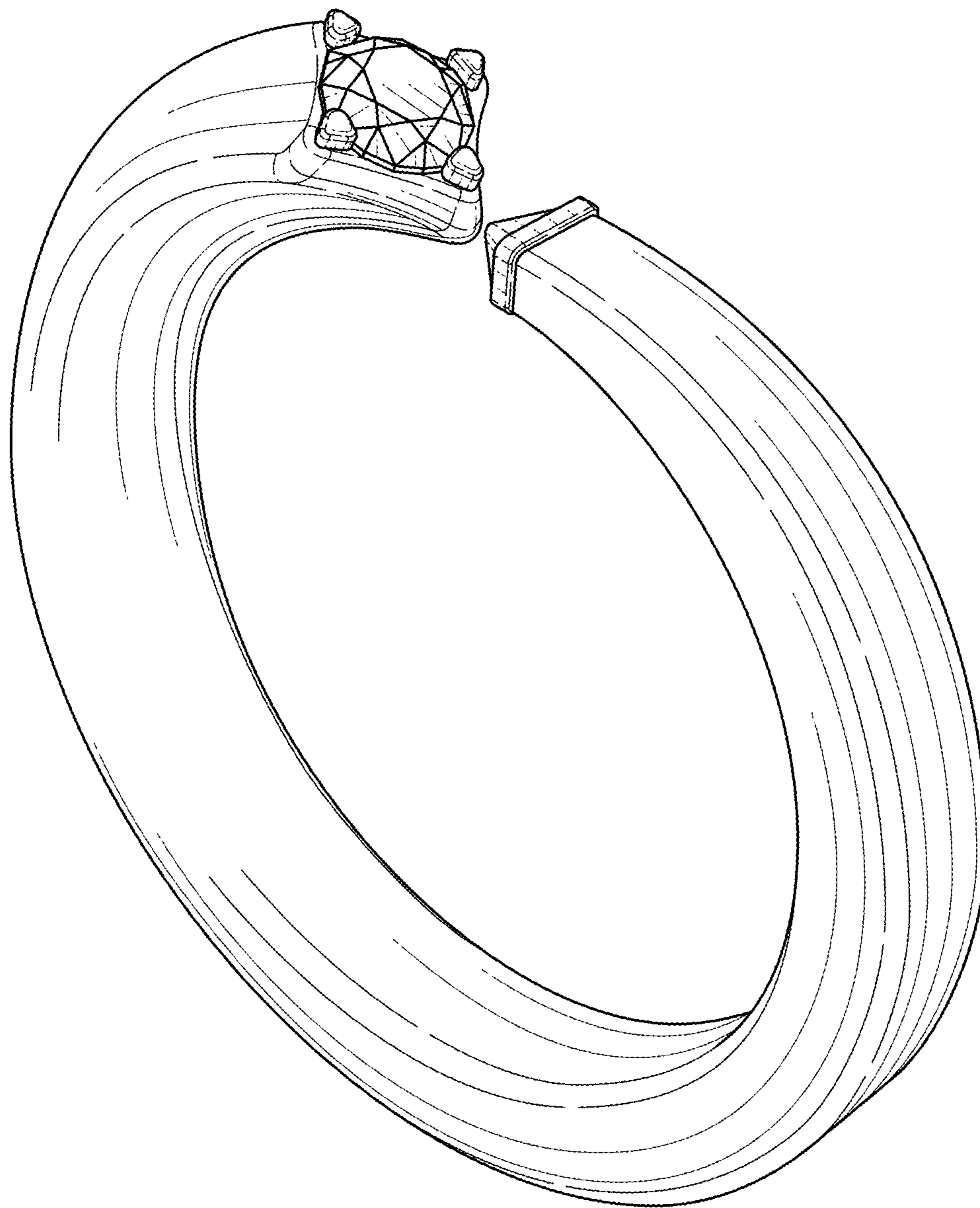


FIG. 7