



US00D986092S

(12) **United States Design Patent**
Imperiali

(10) **Patent No.:** **US D986,092 S**
(45) **Date of Patent:** **** May 16, 2023**

(54) **BANGLE**

D908,521 S * 1/2021 Martinez Gonzalez D11/4
D924,091 S * 7/2021 Coin D11/27
D949,346 S * 4/2022 Miryazdi D24/186

(71) Applicant: **De Beers UK Limited**, London (GB)

(72) Inventor: **Federica Imperiali**, Milan (IT)

(73) Assignee: **De Beers UK Limited**, London (GB)

(**) Term: **15 Years**

(21) Appl. No.: **29/762,593**

(22) Filed: **Dec. 17, 2020**

(30) **Foreign Application Priority Data**

Jun. 18, 2020 (EM) 8009773

(51) **LOC (14) Cl.** **11-01**

(52) **U.S. Cl.**
USPC **D11/5**

(58) **Field of Classification Search**
USPC D11/1-8, 20-23
CPC A44C 5/0092
See application file for complete search history.

(56) **References Cited**

U.S. PATENT DOCUMENTS

- 253,242 A * 2/1882 Vester A44C 5/0092
63/11
- D39,036 S * 1/1908 Mitchell D11/5
- D68,195 S * 9/1925 De'Soria D11/5
- D445,713 S * 7/2001 Haquet D11/3
- D456,296 S * 4/2002 Ambar D11/4
- D567,111 S * 4/2008 Pardoux D10/31
- D569,295 S * 5/2008 Doughty D11/31
- D606,894 S * 12/2009 Bulgari D11/5
- D759,529 S * 6/2016 Mesica D11/5
- D788,628 S * 6/2017 Marchand D11/5
- D815,973 S * 4/2018 Coin D11/5
- D830,877 S * 10/2018 Lopez Montoya D11/16
- D832,131 S * 10/2018 Hu D11/4
- D840,861 S * 2/2019 Lopez Montoya D11/5

FOREIGN PATENT DOCUMENTS

IN 336542-001-0001 * 12/2021
TW 215444-0001 * 11/2021
TW 215445-0001 * 11/2021

OTHER PUBLICATIONS

Hinged Overlapping Bangle Bracelet Rhinestones Shiny Silver Tone Magnetic Close | eBay pp. 1-3 2022 <https://www.ebay.com/itm/265536892471?chn=ps&mkevt=1&mkcid=28> (Year: 2022).*

7.5"925 Sterling Silver Bling out Bangle Bracelet 17g | eBay pp. 1-4 2022 <https://www.ebay.com/itm/284794809868?chn=ps&mkevt=1&mkcid=28&var=586465217153> (Year: 2022).*

De Beers ForevermarkAvaanti™ Pavé Diamond Bypass Bangle in 18K White Gold, 0.55 ct pp. 1-6 2022 <https://www.bloomingdales.com/shop/product/de-beers-forevermark-avaanti-pave-diamond-bypass-bangle-in-18k-white-gold-0.55-ct.-t.w.?ID=4219675&CategoryID=1005925> (Year: 2022).*

* cited by examiner

Primary Examiner — Kevin K Rudzinski
Assistant Examiner — Evans David Delesline
(74) *Attorney, Agent, or Firm* — Dentons US LLP

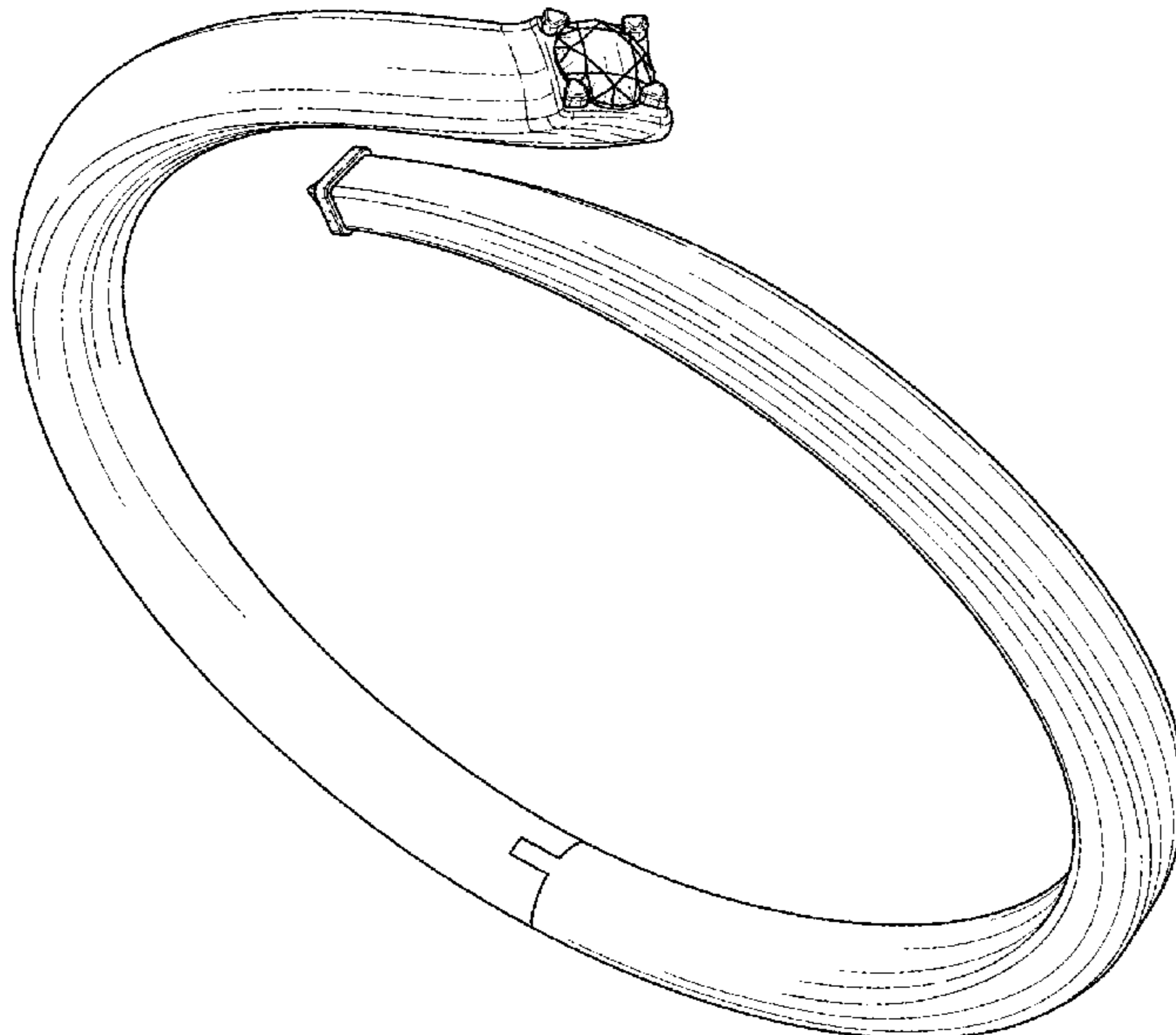
(57) **CLAIM**

The ornamental design for a bangle, as shown and described.

DESCRIPTION

FIG. 1 is a top view of a bangle;
FIG. 2 is a bottom view of the bangle;
FIG. 3 is a left side view of the bangle;
FIG. 4 is a right side view of the bangle;
FIG. 5 is a front view of the bangle;
FIG. 6 is a back view of the bangle; and,
FIG. 7 is a front perspective view of the bangle.

1 Claim, 7 Drawing Sheets



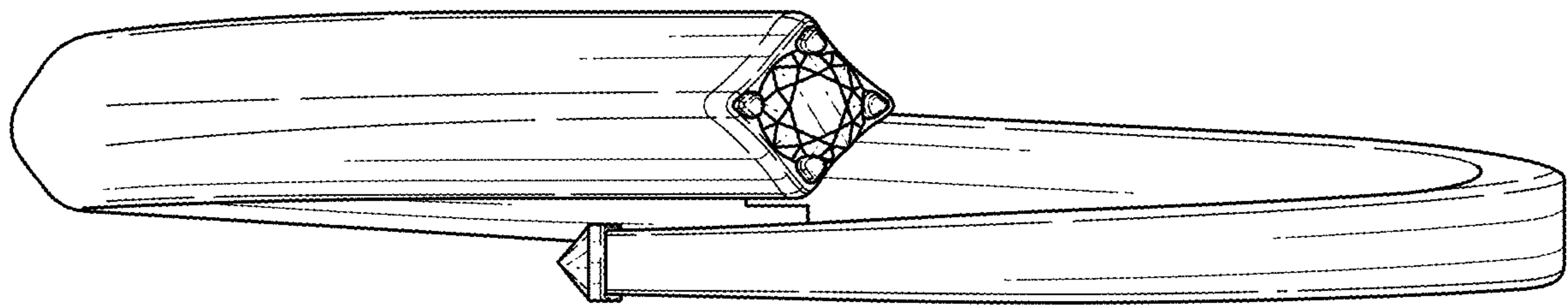


FIG. 1

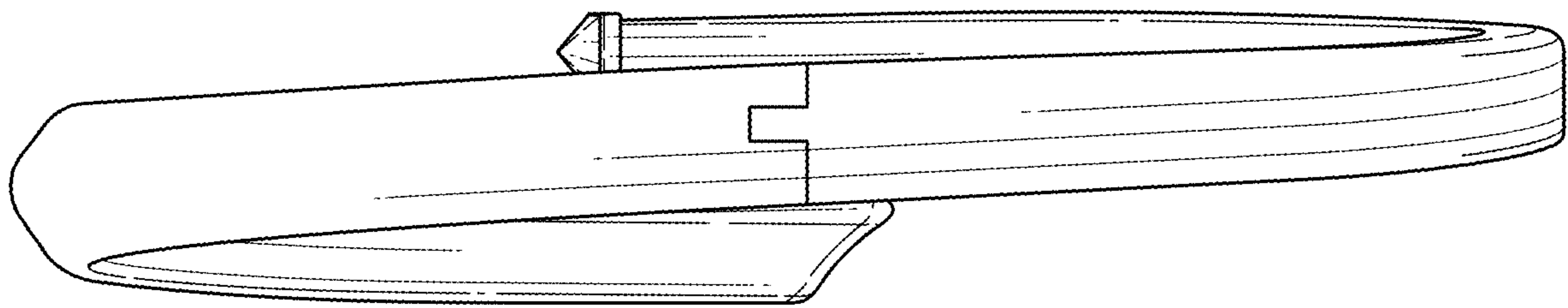


FIG. 2

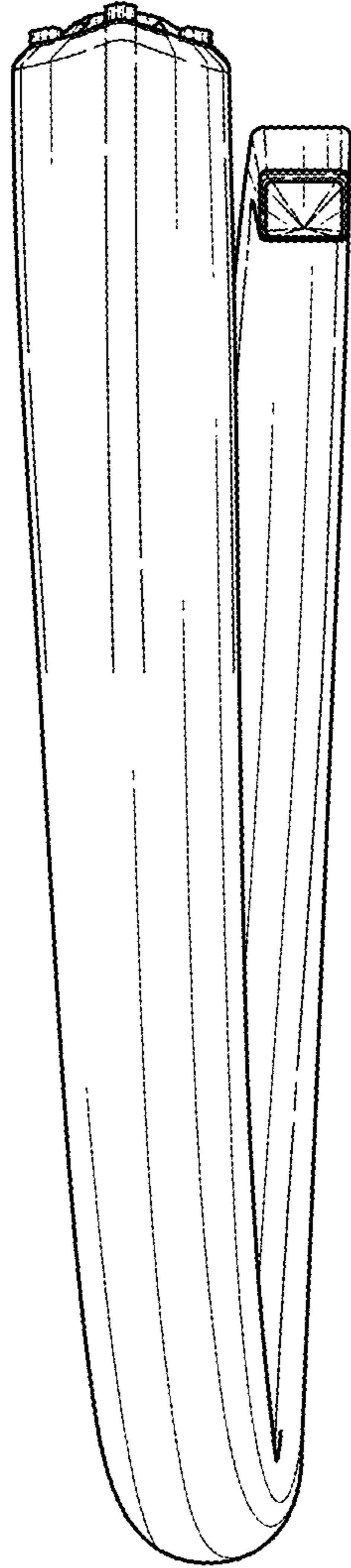


FIG. 3

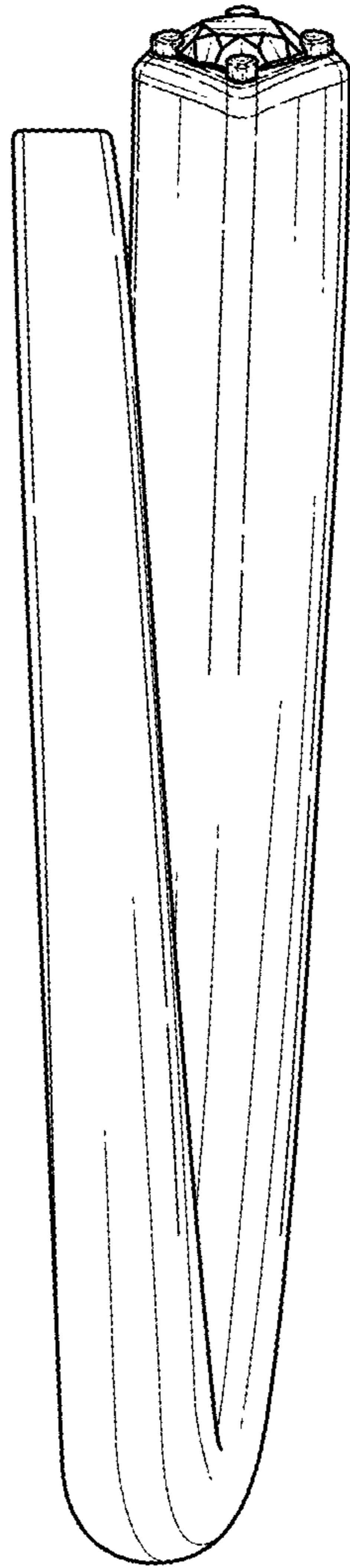


FIG. 4

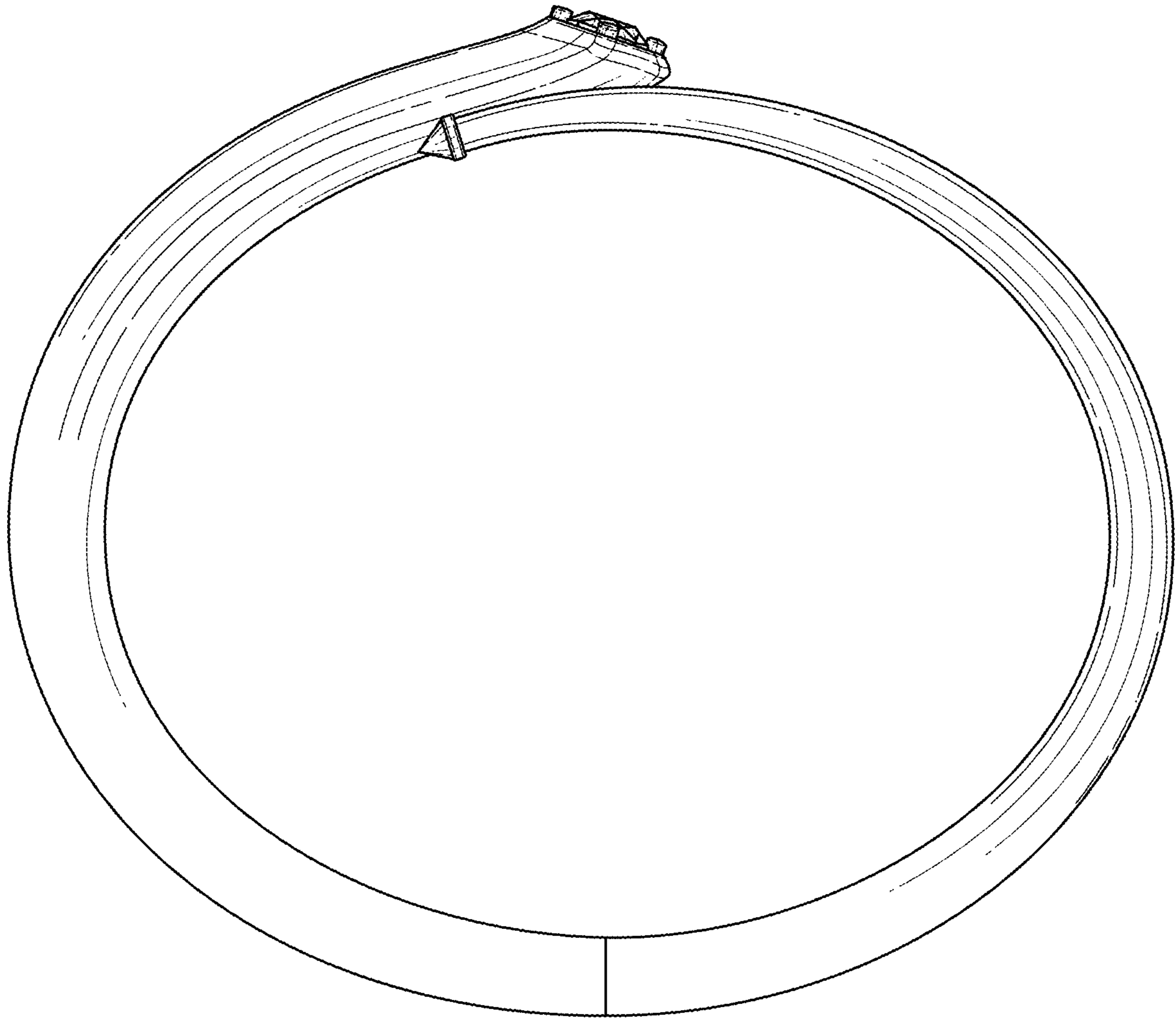


FIG. 5

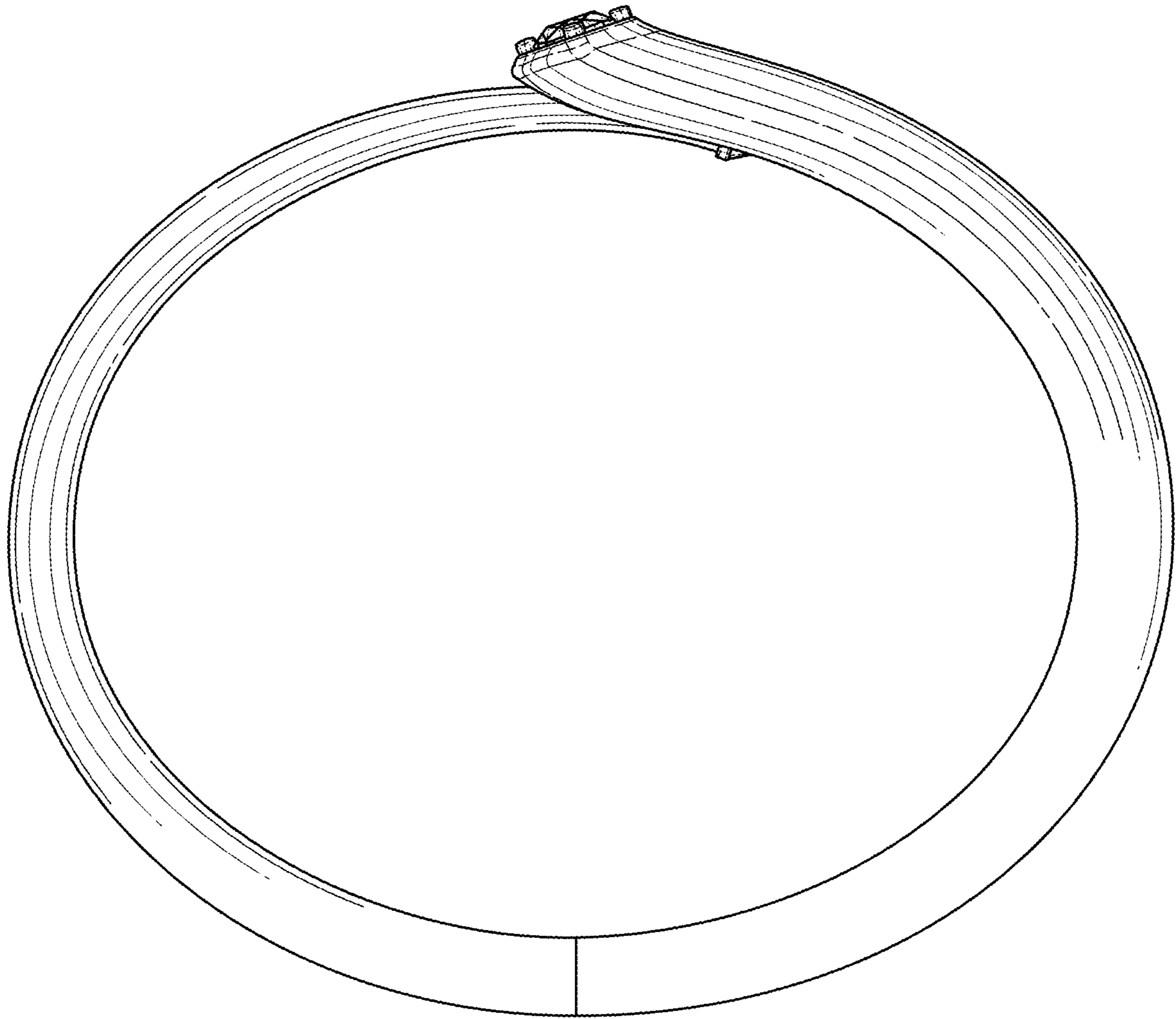


FIG. 6



FIG. 7