



US00D986091S

(12) **United States Design Patent**  
**Imperiali**

(10) **Patent No.:** **US D986,091 S**

(45) **Date of Patent:** **\*\* May 16, 2023**

(54) **BANGLE**  
(71) Applicant: **De Beers UK Limited**, London (GB)  
(72) Inventor: **Federica Imperiali**, Milan (IT)  
(73) Assignee: **De Beers UK Limited**, London (GB)  
(\*\*) Term: **15 Years**  
(21) Appl. No.: **29/762,565**

D830,877 S \* 10/2018 Lopez Montoya ..... D11/16  
D832,131 S \* 10/2018 Hu ..... D11/4  
D840,861 S \* 2/2019 Lopez Montoya ..... D11/5  
D908,521 S \* 1/2021 Martinez Gonzalez ..... D11/4  
D924,091 S \* 7/2021 Coin ..... D11/27  
D949,346 S \* 4/2022 Miryazdi ..... D24/186

**FOREIGN PATENT DOCUMENTS**

IN 336542-001-0001 \* 12/2021  
TW 215444-0001 \* 11/2021  
TW 215445-0001 \* 11/2021

(22) Filed: **Dec. 17, 2020**  
(30) **Foreign Application Priority Data**  
Jun. 18, 2020 (EM) ..... 8009773  
(51) **LOC (14) Cl.** ..... **11-01**  
(52) **U.S. Cl.**  
USPC ..... **D11/5**  
(58) **Field of Classification Search**  
USPC ..... D11/1-8, 20-23  
CPC ..... A44C 5/0092  
See application file for complete search history.

**OTHER PUBLICATIONS**

Hinged Overlapping Bangle Bracelet Rhinestones Shiny Silver  
Tone Magnetic Close | eBay pp. 1-3 2022 <https://www.ebay.com/itm/265536892471?chn=ps&mkevt=1&mkcid=28> (Year: 2022).  
7.5"925 Sterling Silver Bling out Bangle Bracelet 17g | eBay pp. 1-4  
2022 <https://www.ebay.com/itm/284794809868?chn=ps&mkevt=1&mkcid=28&var=586465217153> (Year: 2022).\*

\* cited by examiner

*Primary Examiner* — Kevin K Rudzinski  
*Assistant Examiner* — Evans David Delesline  
(74) *Attorney, Agent, or Firm* — Dentons US LLP

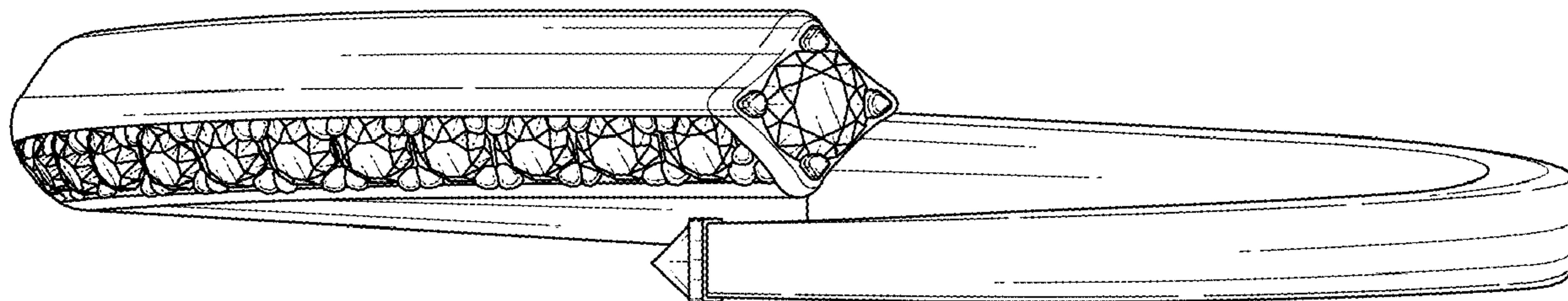
(56) **References Cited**  
**U.S. PATENT DOCUMENTS**  
253,242 A \* 2/1882 Vester ..... A44C 5/0092  
63/11  
D39,036 S \* 1/1908 Mitchell ..... D11/5  
D68,195 S \* 9/1925 DeSoria ..... D11/5  
D445,713 S \* 7/2001 Haquet ..... D11/3  
D456,296 S \* 4/2002 Ambar ..... D11/4  
D567,111 S \* 4/2008 Pardoux ..... D10/31  
D569,295 S \* 5/2008 Doughty ..... D11/31  
D606,894 S \* 12/2009 Bulgari ..... D11/5  
D759,529 S \* 6/2016 Mesica ..... D11/5  
D788,628 S \* 6/2017 Marchand ..... D11/5  
D815,973 S \* 4/2018 Coin ..... D11/5

(57) **CLAIM**  
The ornamental design for a bangle, as shown and described.

**DESCRIPTION**

FIG. 1 is a top view of a bangle;  
FIG. 2 is a bottom view of the bangle;  
FIG. 3 is a left side view of the bangle;  
FIG. 4 is a right side view of the bangle;  
FIG. 5 is a front view of the bangle;  
FIG. 6 is a back view of the bangle; and,  
FIG. 7 is a front perspective view of the bangle.

**1 Claim, 7 Drawing Sheets**



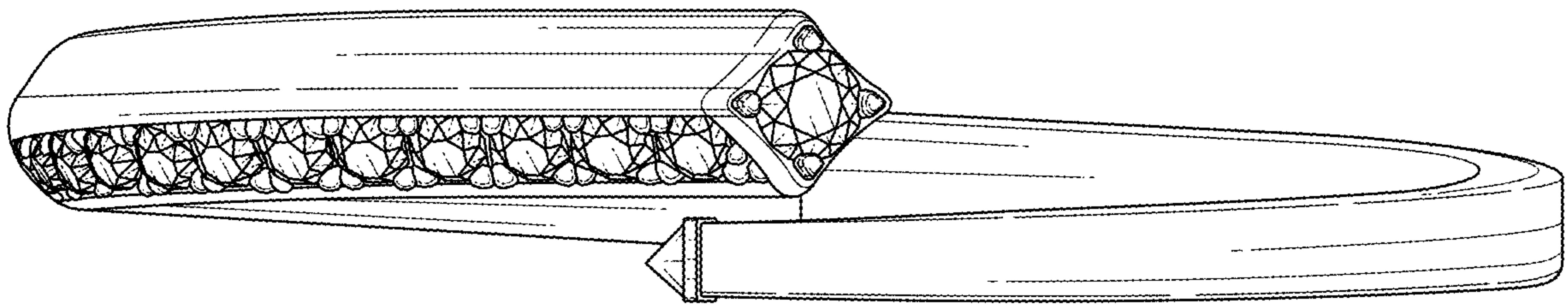


FIG. 1

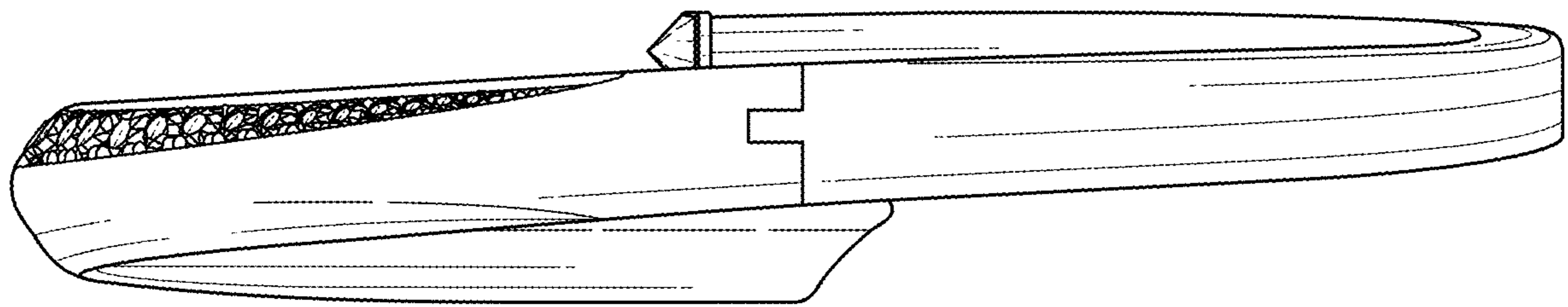


FIG. 2

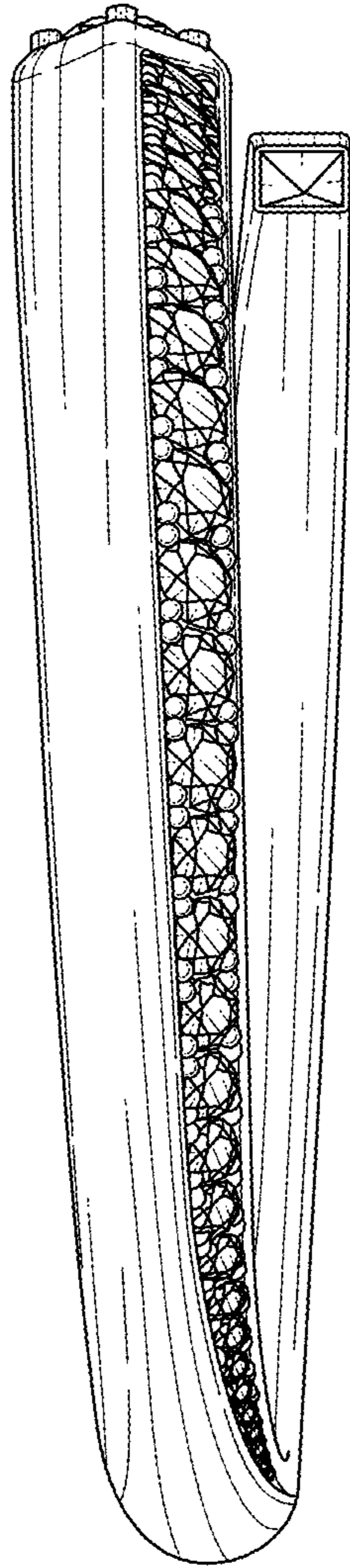


FIG. 3

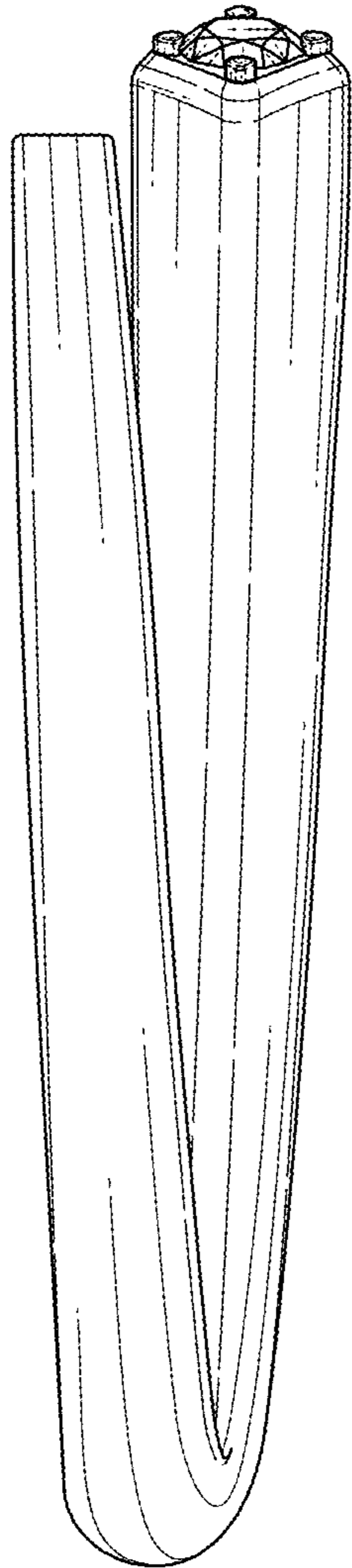


FIG. 4



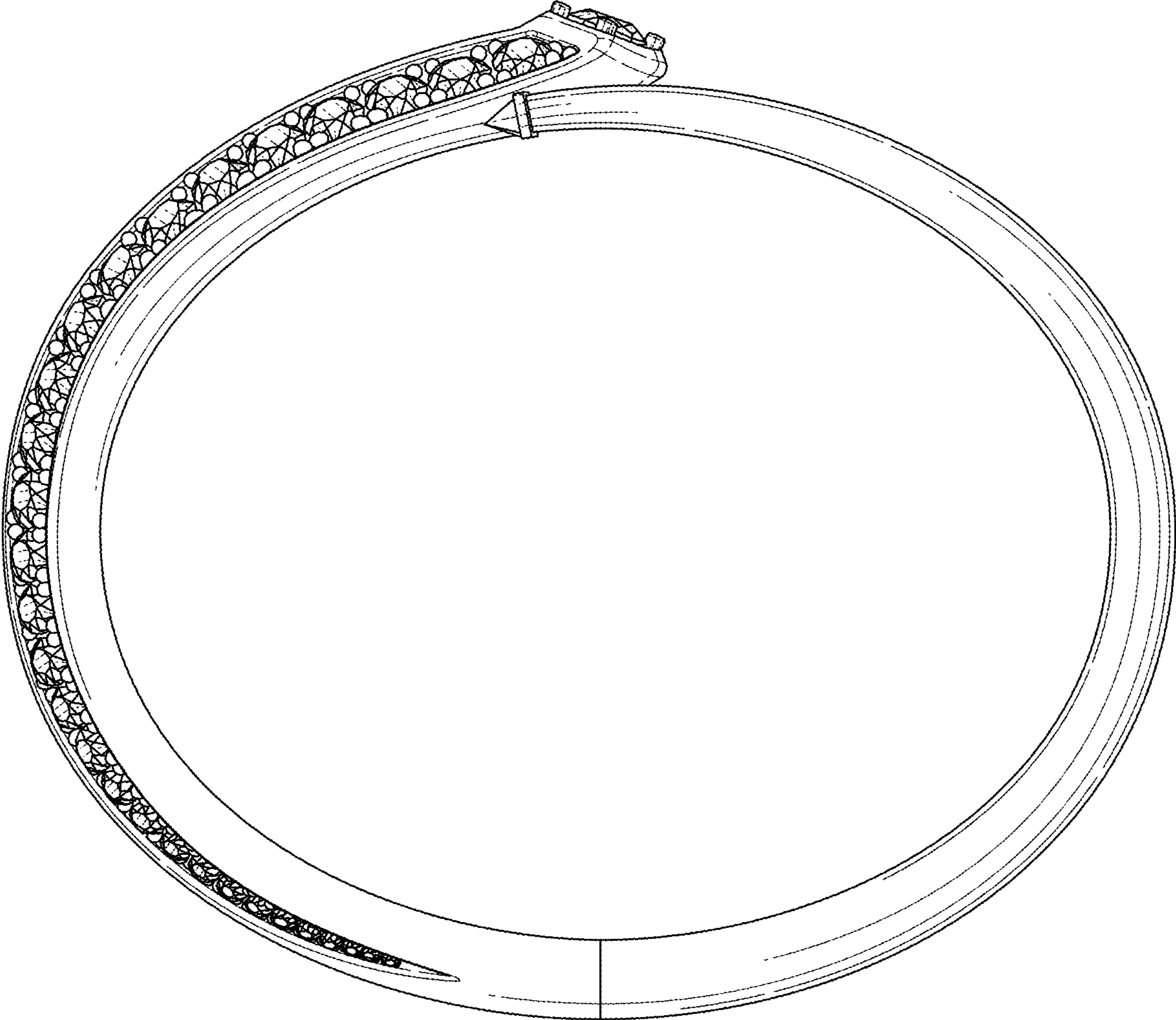


FIG. 5

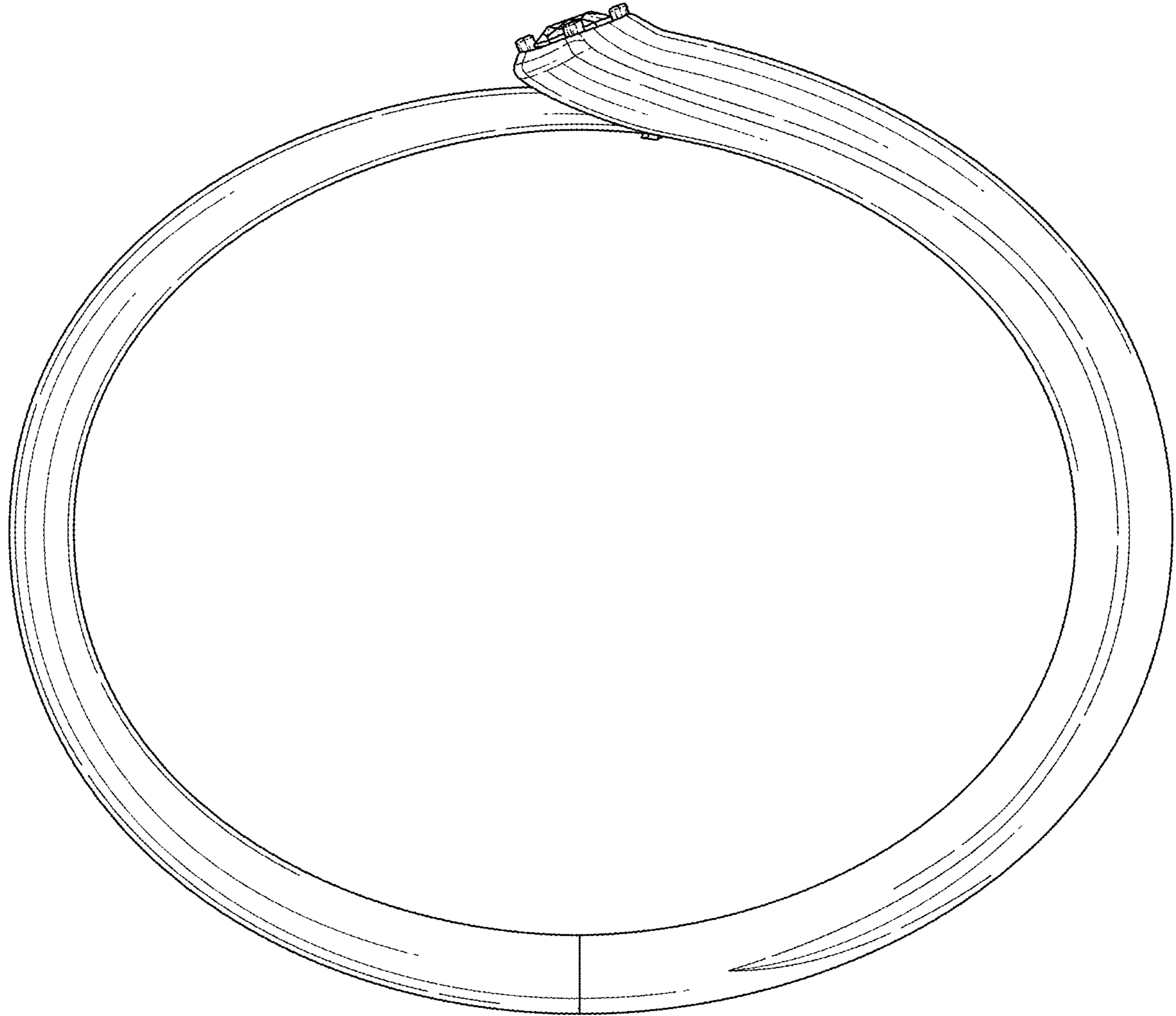


FIG. 6



FIG. 7