



US00D986087S

(12) **United States Design Patent** (10) **Patent No.:** **US D986,087 S**
Zuo et al. (45) **Date of Patent:** **** May 16, 2023**

(54) **BRACELET**

FOREIGN PATENT DOCUMENTS

(71) Applicant: **Xian Zuo**, Hunan (CN)

CN 307714365 * 12/2022
CN 307846187 * 2/2023

(72) Inventors: **Xian Zuo**, Hunan (CN); **Li Chen**, Hunan (CN)

OTHER PUBLICATIONS

(73) Assignee: **Xian Zuo**, Hunan (CN)

Rudradivine Blood Pressure Control Magnetic Bracelet Bp Monitor Bracelet amazon pp. 1-6 2019 https://www.amazon.com/rudradivine-Pressure-Magnetic-Bracelet-Original/dp/B07NBM9N11?source=ps-sl-shoppingads-lpcontext&ref_=fplfs&psc=1&smid=A18ZIVSC2UQYJR (Year: 2019).*

(**) Term: **15 Years**

(Continued)

(21) Appl. No.: **29/785,213**

(22) Filed: **May 24, 2021**

(51) **LOC (14) Cl.** **11-01**

Primary Examiner — Kevin K Rudzinski

(52) **U.S. Cl.**
USPC **D11/3**

Assistant Examiner — Evans David Delesline

(58) **Field of Classification Search**
USPC D11/1-13, 26
CPC A44C 5/00; A44C 5/0092
See application file for complete search history.

(74) *Attorney, Agent, or Firm* — ScienBiziP, P.C.

(56) **References Cited**

(57) **CLAIM**

U.S. PATENT DOCUMENTS

The ornamental design for a bracelet, as shown and described.

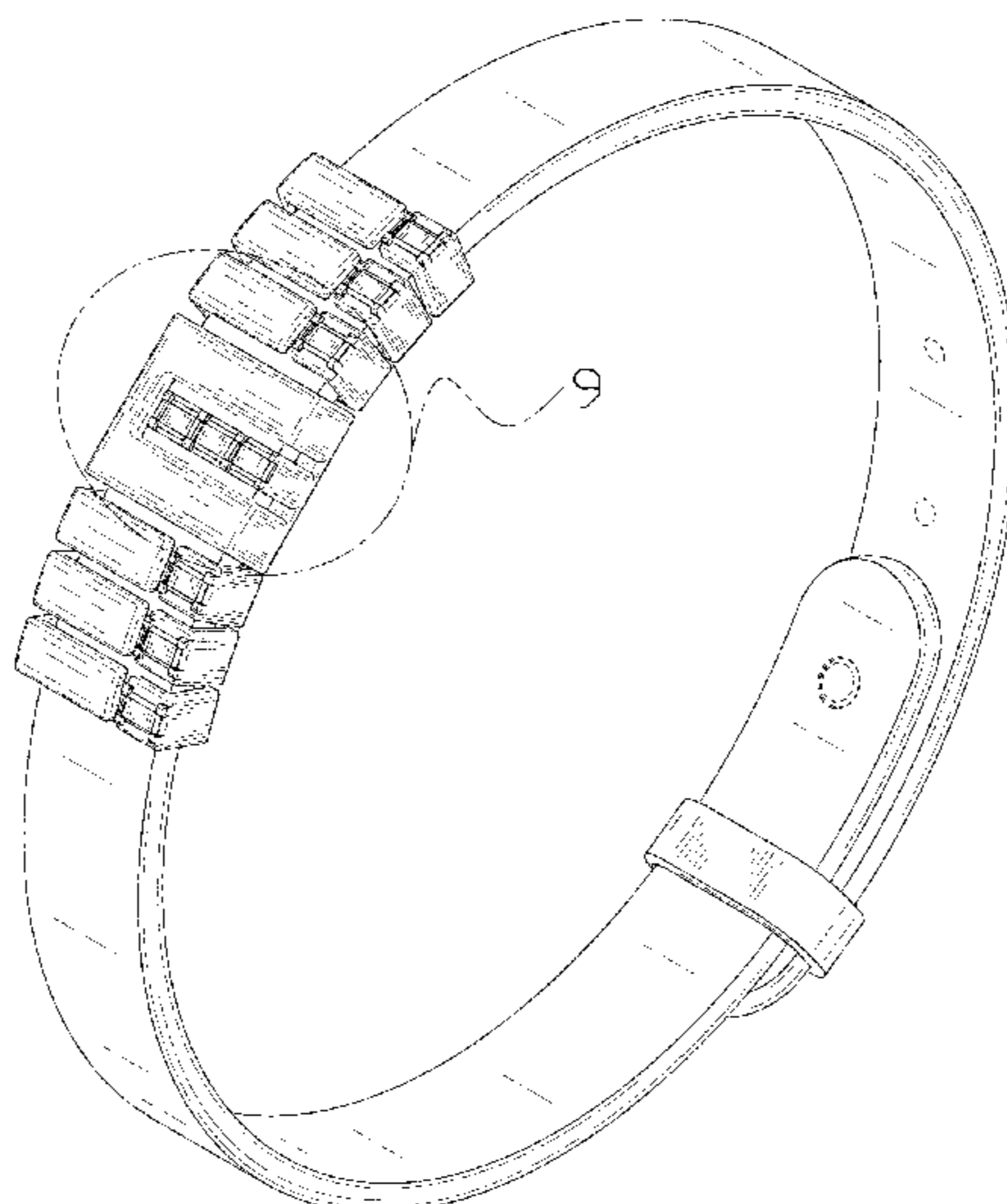
333,083	A	*	12/1885	Pine	A44C 5/0092
						63/3
D51,487	S	*	11/1917	O'brien	63/3
D247,482	S	*	3/1978	Schupp	D11/4
D349,468	S	*	8/1994	Souren	D11/3
D415,976	S	*	11/1999	Be	D11/4
D470,431	S	*	2/2003	Valentini	D11/5
D495,267	S	*	8/2004	Pachachi	D11/5
D497,566	S	*	10/2004	Pucci	D11/4
D555,028	S	*	11/2007	Highfill	D11/3
D581,826	S	*	12/2008	Molyneux	D10/32
D617,231	S	*	6/2010	Adamson	D11/4
D662,004	S	*	6/2012	Hardy	D11/3
D686,217	S	*	7/2013	Andre	D11/2
D725,534	S	*	3/2015	Ciprari	D11/5
D728,409	S	*	5/2015	Bar-Am	D11/3
D729,682	S	*	5/2015	Daniel	D11/5
D758,900	S	*	6/2016	Garner	D10/70
D788,627	S	*	6/2017	Park	D14/344
D815,555	S	*	4/2018	Vandekop	D11/5

(Continued)

DESCRIPTION

FIG. 1 is a front, right, and top perspective view of a bracelet, showing our design.
FIG. 2 is a rear, left, and bottom perspective view thereof.
FIG. 3 is a front elevation view thereof.
FIG. 4 is a rear elevation view thereof.
FIG. 5 is a left side elevation view thereof.
FIG. 6 is a right side elevation view thereof.
FIG. 7 is a top plan view thereof.
FIG. 8 is a bottom plan view thereof; and,
FIG. 9 is a partial enlarged view of an area labeled 9 in FIG. 1 comprising a regulator.
The broken lines shown in the drawings are included for the purpose of illustrating portions of the bracelet that form no part of the claimed design.

1 Claim, 9 Drawing Sheets



(56)

References Cited

U.S. PATENT DOCUMENTS

D828,208 S	*	9/2018	Blanc	D11/6
D855,488 S	*	8/2019	Jablonski	D11/3
D873,696 S	*	1/2020	Nyaggah	D11/5
D876,978 S	*	3/2020	McCarthy	D11/4
D911,207 S	*	2/2021	Grace	D11/3
D913,140 S	*	3/2021	Grace	D11/3
D915,929 S	*	4/2021	Dumas	D11/4

OTHER PUBLICATIONS

Terahertz Rectangle Bracelet, Activate Dormant Cells Remove Blood Waste walmart pp. 1-3 2023 <https://www.walmart.com/ip/Terahertz-Rectangle-Bracelet-Activate-Dormant-Cells-Remove-Blood-Waste-Terahertz-Bracelet-Rectangle-Beads-Looseness-For-Wrist/1979118348?wmlspartner=wlpa&selectedSellerId=16214> (Year: 2023).*

* cited by examiner

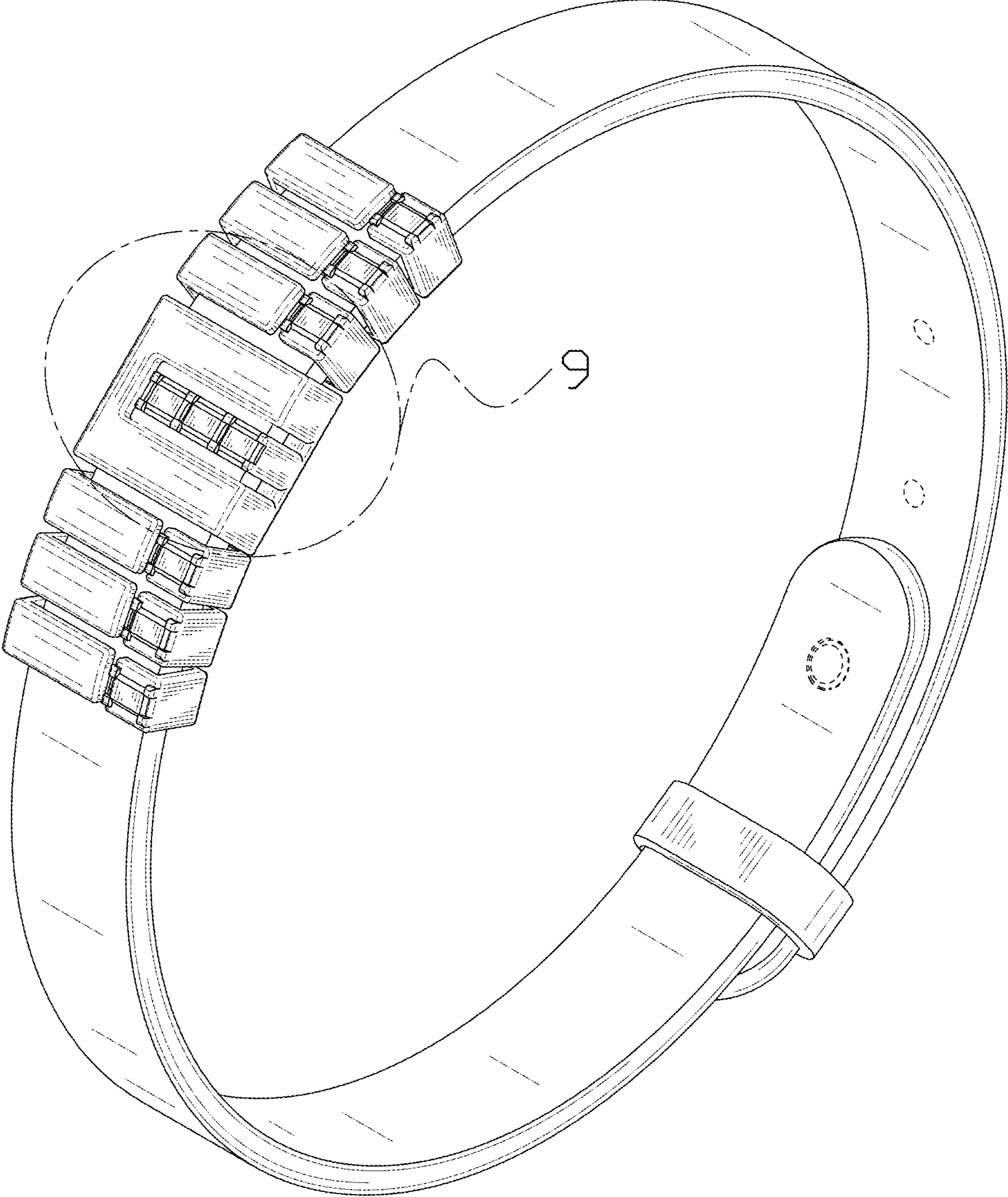


FIG. 1

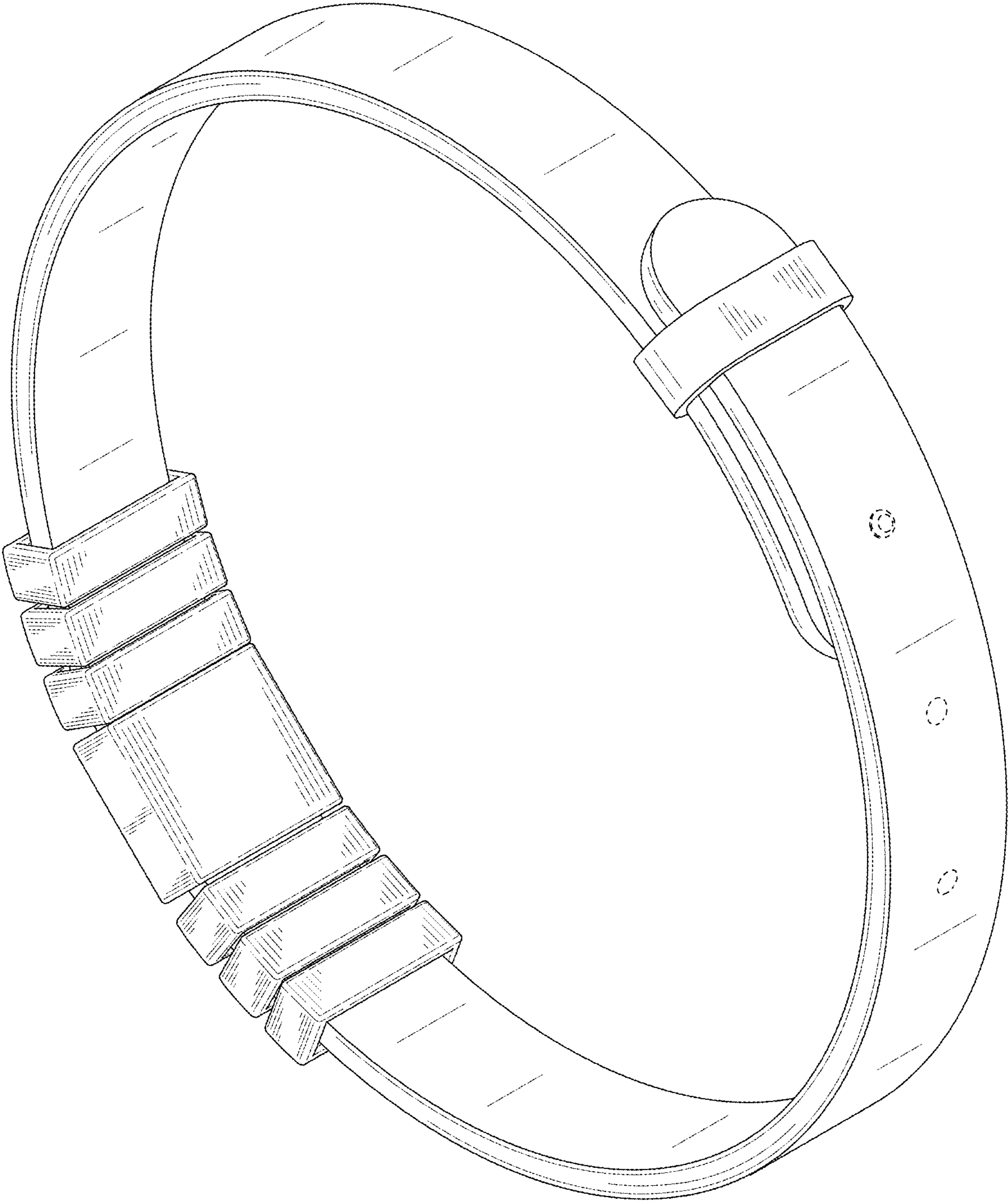


FIG. 2

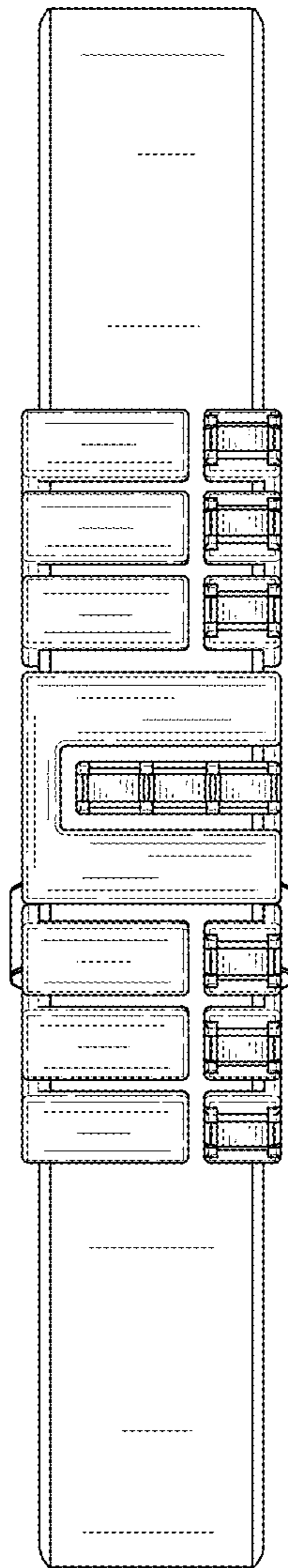


FIG. 3

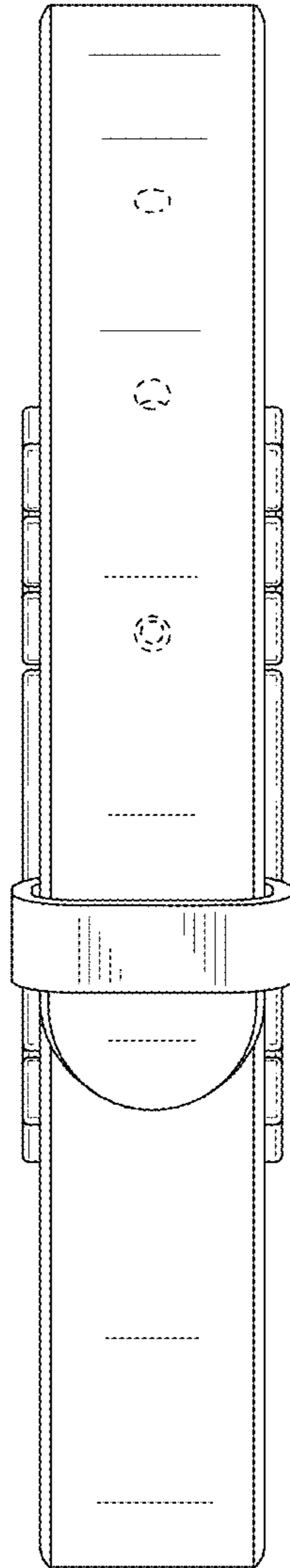


FIG. 4

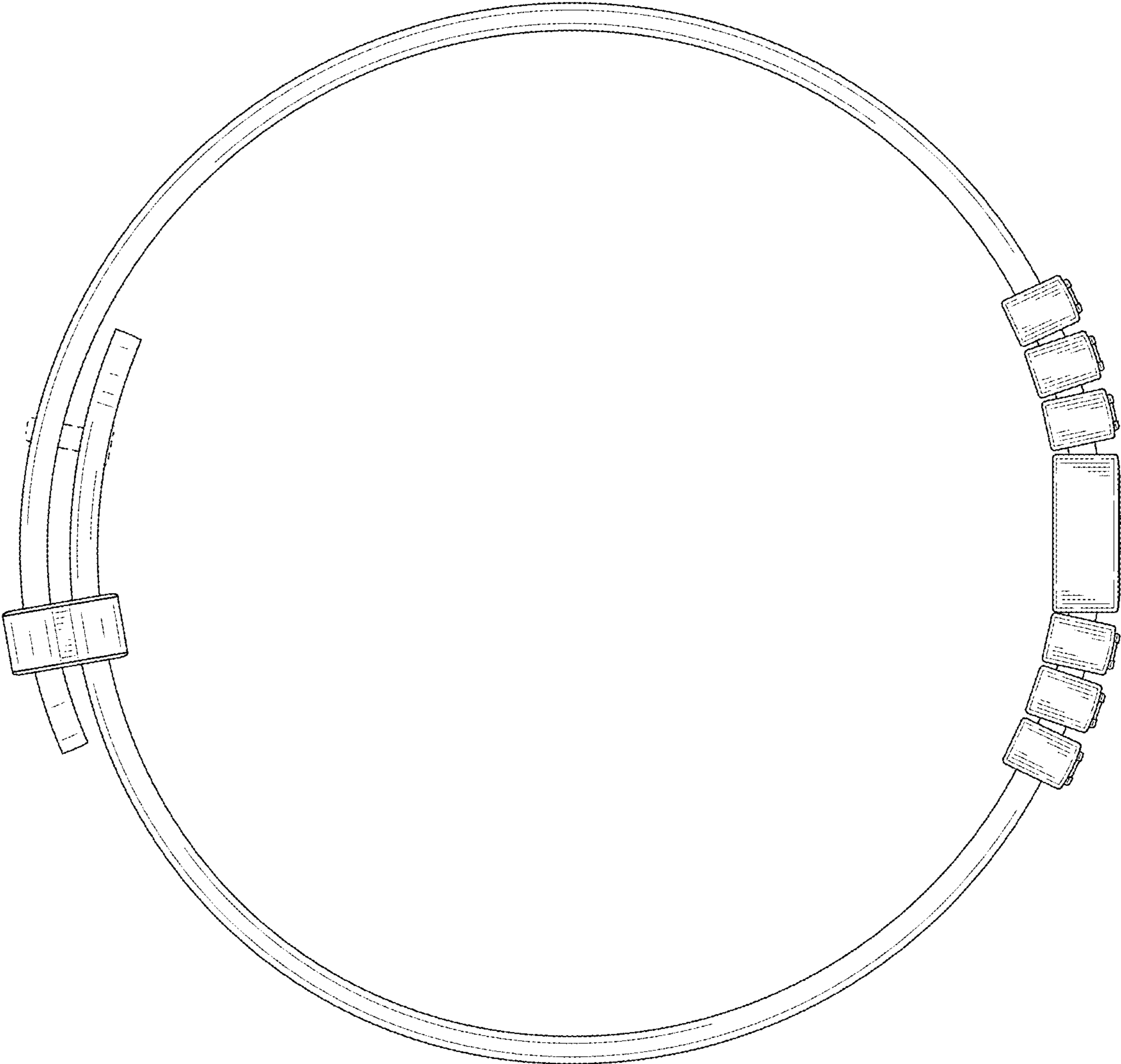


FIG. 5

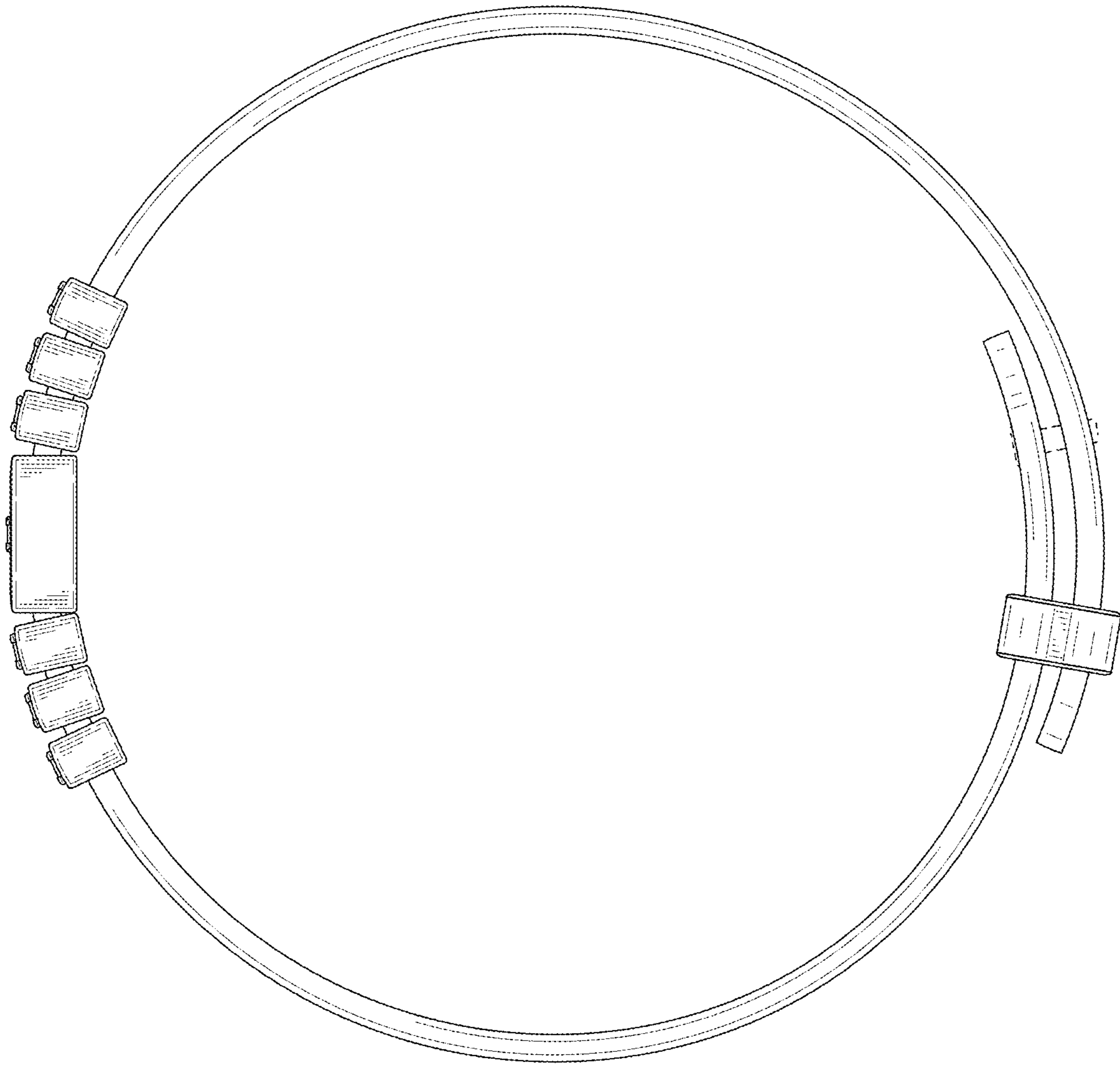


FIG. 6

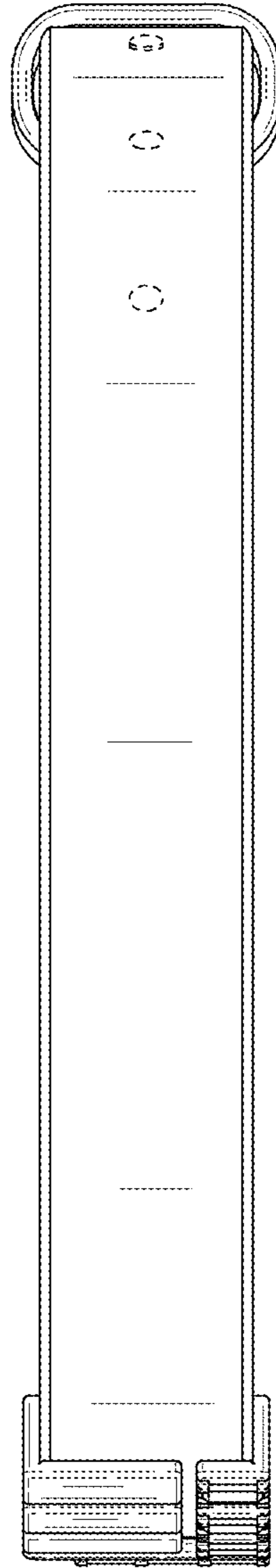


FIG. 7

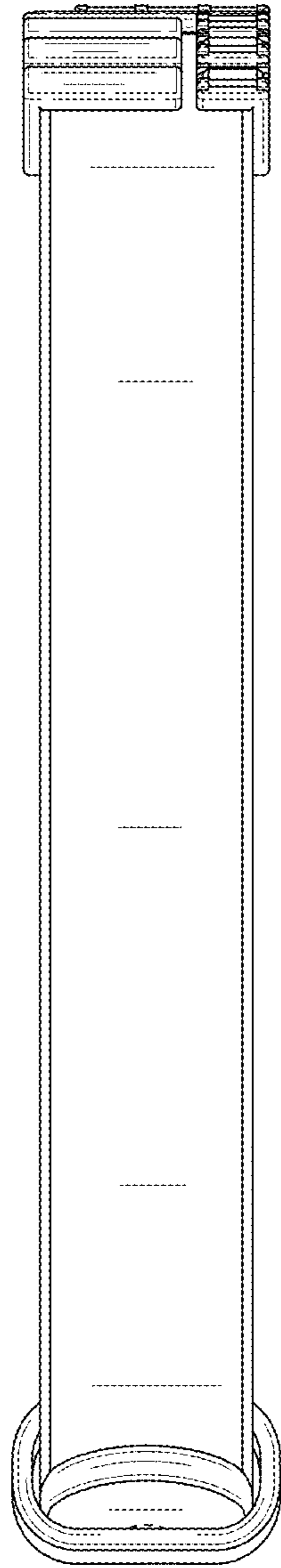


FIG. 8

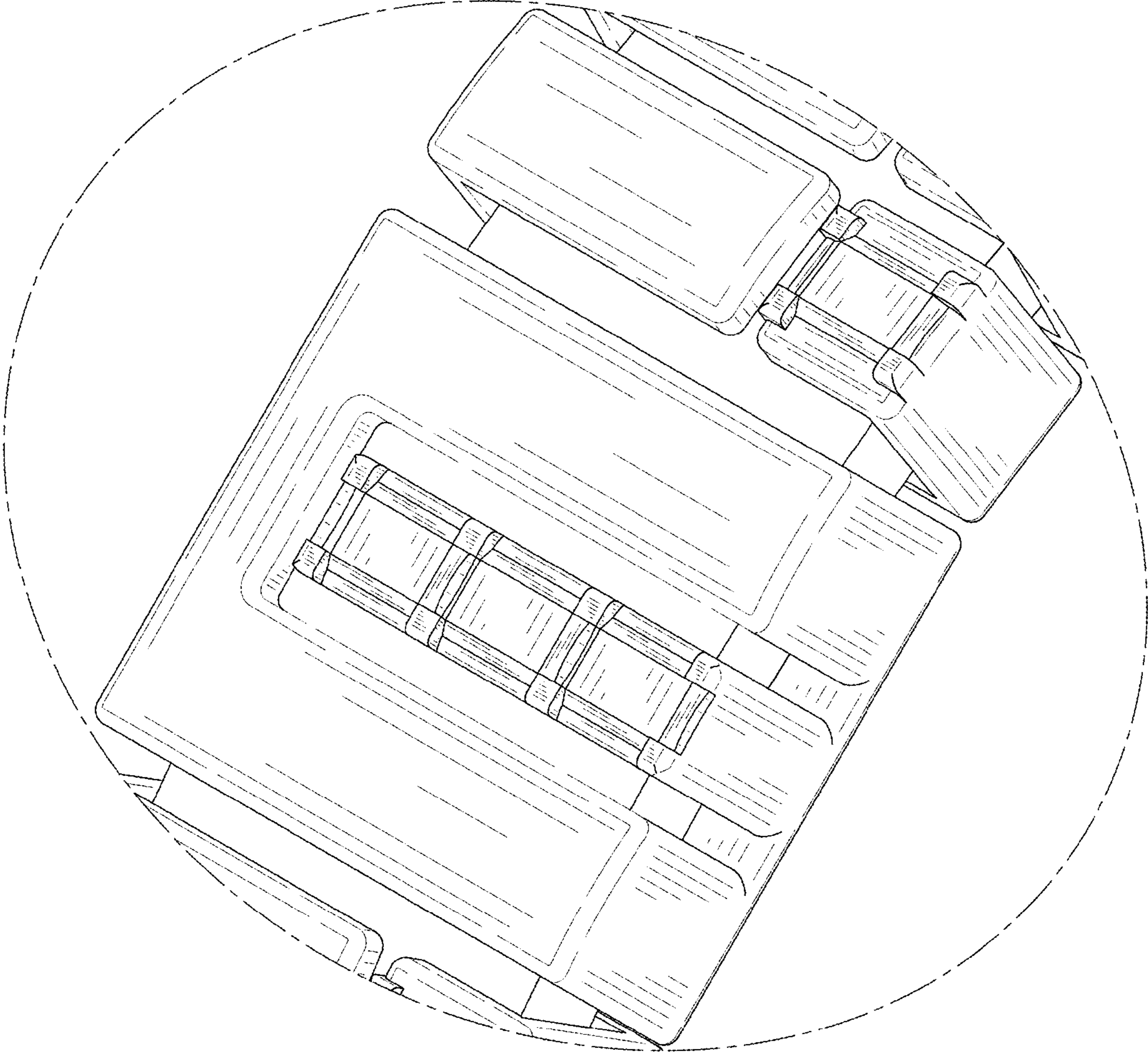


FIG. 9