



US00D986083S

(12) **United States Design Patent**
Wu

(10) **Patent No.:** **US D986,083 S**
(45) **Date of Patent:** **** May 16, 2023**

(54) **ILLUMINATION DISPLAY**

(71) Applicant: **Fourstar Group Inc.**, Taipei (TW)

(72) Inventor: **Yu-Chi Wu**, Taipei (TW)

(73) Assignee: **Fourstar Group Inc.**, Taipei (TW)

(**) Term: **15 Years**

(21) Appl. No.: **29/718,685**

(22) Filed: **Dec. 27, 2019**

(51) **LOC (14) Cl.** **26-04**

(52) **U.S. Cl.**
USPC **D26/1**

(58) **Field of Classification Search**
USPC D10/109.1–115; D26/1, 25, 67–71, 113,
D26/120, 124
See application file for complete search history.

(56) **References Cited**

U.S. PATENT DOCUMENTS

D594,576 S * 6/2009 Chan D26/1
D614,780 S * 4/2010 Huang D26/1
(Continued)

Primary Examiner — Joseph Kukella

(74) *Attorney, Agent, or Firm* — Salter & Michaelson

(57) **CLAIM**

The ornamental design for an illumination display, as shown and described.

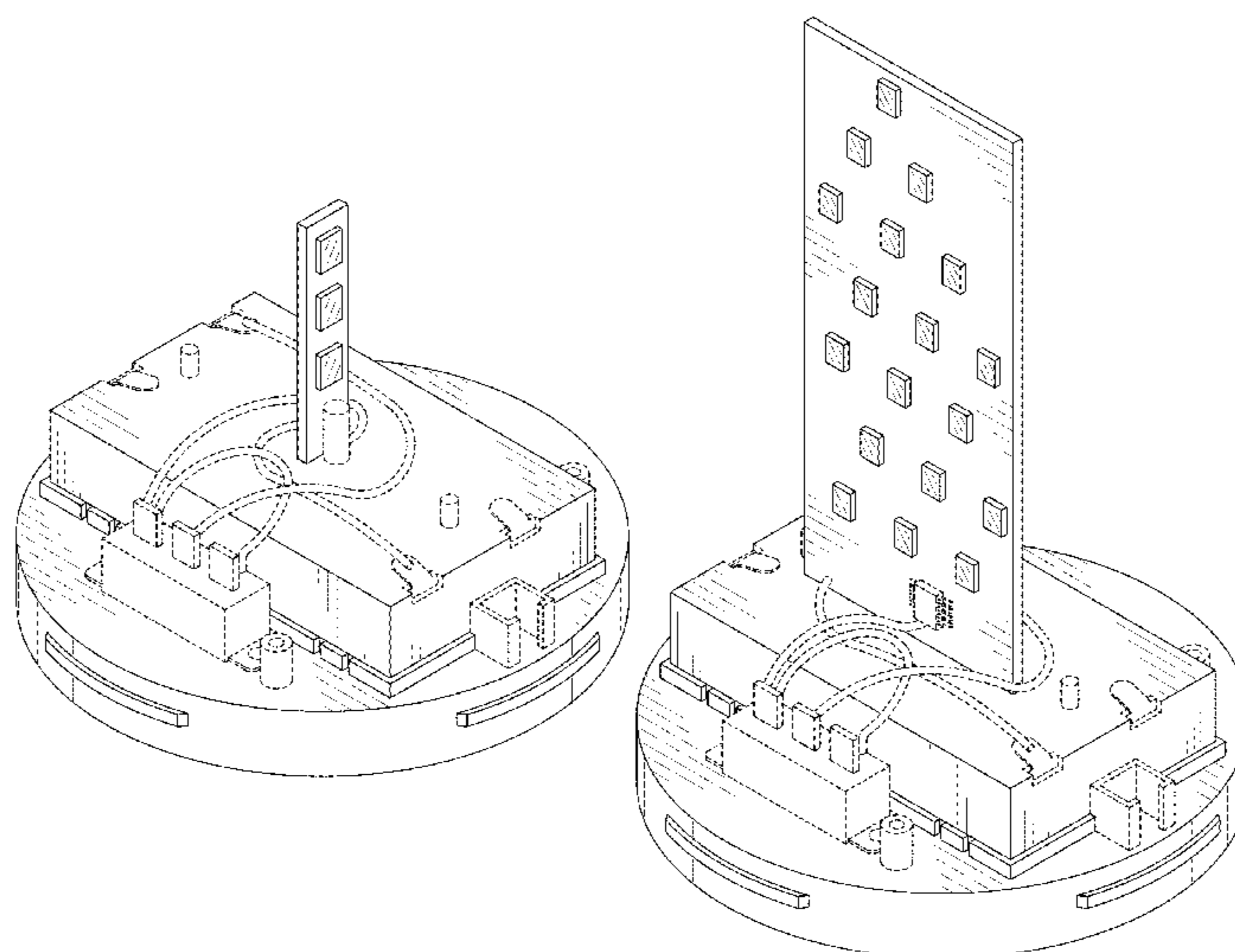
DESCRIPTION

FIG. 1 is a perspective view of an illumination display;
FIG. 2 is a top plan view thereof;
FIG. 3 is a bottom plan view thereof;
FIG. 4 is a front perspective view thereof;
FIG. 5 is a rear perspective view thereof;
FIG. 6 is a left side elevational view thereof;

FIG. 7 is a right side elevational view thereof;
FIG. 8 is a perspective view of a second embodiment of an illumination display;
FIG. 9 is a top plan view of a second embodiment thereof;
FIG. 10 is a bottom plan view of a second embodiment thereof;
FIG. 11 is a front perspective view of a second embodiment thereof;
FIG. 12 is a rear perspective view of a second embodiment thereof;
FIG. 13 is a left side elevational view of a second embodiment thereof;
FIG. 14 is a right side elevational view of a second embodiment thereof;
FIG. 15 is a perspective view of a third embodiment of an illumination display;
FIG. 16 is a top plan view of a third embodiment thereof;
FIG. 17 is a bottom plan view of a third embodiment thereof;
FIG. 18 is a front perspective view of a third embodiment thereof;
FIG. 19 is a rear perspective view of a third embodiment thereof;
FIG. 20 is a left side elevational view of a third embodiment thereof;
FIG. 21 is a right side elevational view of a third embodiment thereof;
FIG. 22 is a perspective view of a fourth embodiment of an illumination display;
FIG. 23 is a top plan view of a fourth embodiment thereof;
FIG. 24 is a bottom plan view of a fourth embodiment thereof;
FIG. 25 is a front perspective view of a fourth embodiment thereof;
FIG. 26 is a rear perspective view of a fourth embodiment thereof;
FIG. 27 is a left side elevational view of a fourth embodiment thereof; and,
FIG. 28 is a right side elevational view of a fourth embodiment thereof.

The broken lines depict environmental subject matter only and form no part of the claimed design.

1 Claim, 28 Drawing Sheets



(56)

References Cited

U.S. PATENT DOCUMENTS

D650,339	S *	12/2011	Chang	D13/179
D673,307	S *	12/2012	Moghal	D26/1
D693,033	S *	11/2013	Takeda	D26/1
D718,890	S *	12/2014	Shibata	D26/1
9,279,569	B2 *	3/2016	Lamonato	F21V 19/0055
D786,458	S *	5/2017	Wang	D26/1
D807,541	S *	1/2018	Soofer	D26/27
D814,666	S *	4/2018	Wang	D26/1
D819,838	S *	6/2018	Katterheinrich	D26/1
D822,269	S *	7/2018	Oquendo, Jr.	D26/155
D849,277	S *	5/2019	John	D26/1
D849,278	S *	5/2019	John	D26/1
D869,694	S *	12/2019	Verfuertth	D26/1
D885,615	S *	5/2020	Antony	D26/1
10,897,802	B1 *	1/2021	Avery, Jr.	H05B 45/48
10,928,017	B1 *	2/2021	Avery, Jr.	F21V 23/04
D915,639	S *	4/2021	Zhao	H05B 45/48
				D26/1
D952,911	S *	5/2022	Luo	F21V 17/005
				D26/1
D969,360	S *	11/2022	Zhao	D26/25
2012/0188766	A1 *	7/2012	Lu	F21V 17/005
				362/249.02
2019/0003656	A1 *	1/2019	Powell	F21S 2/00

* cited by examiner

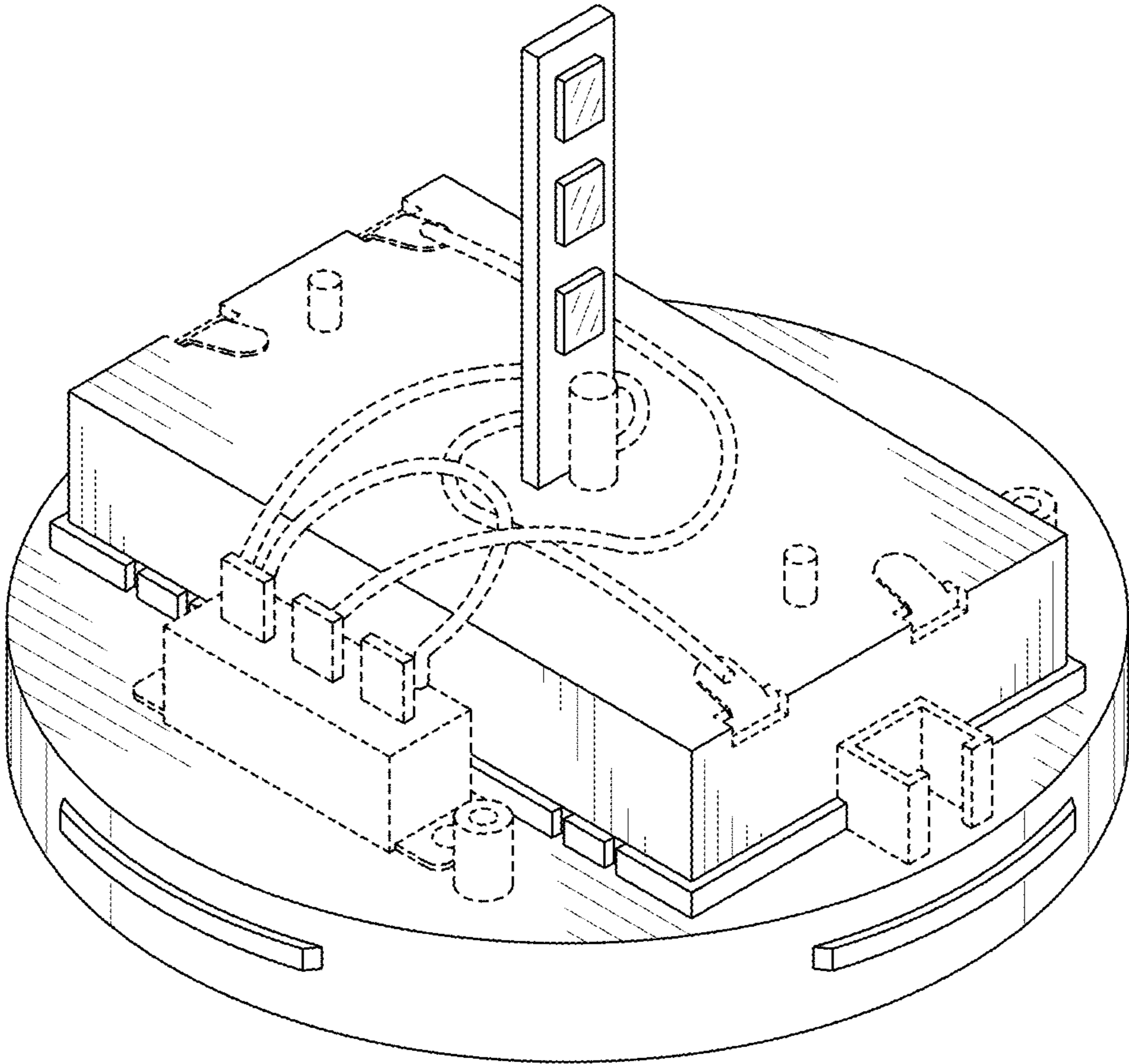


FIG. 1

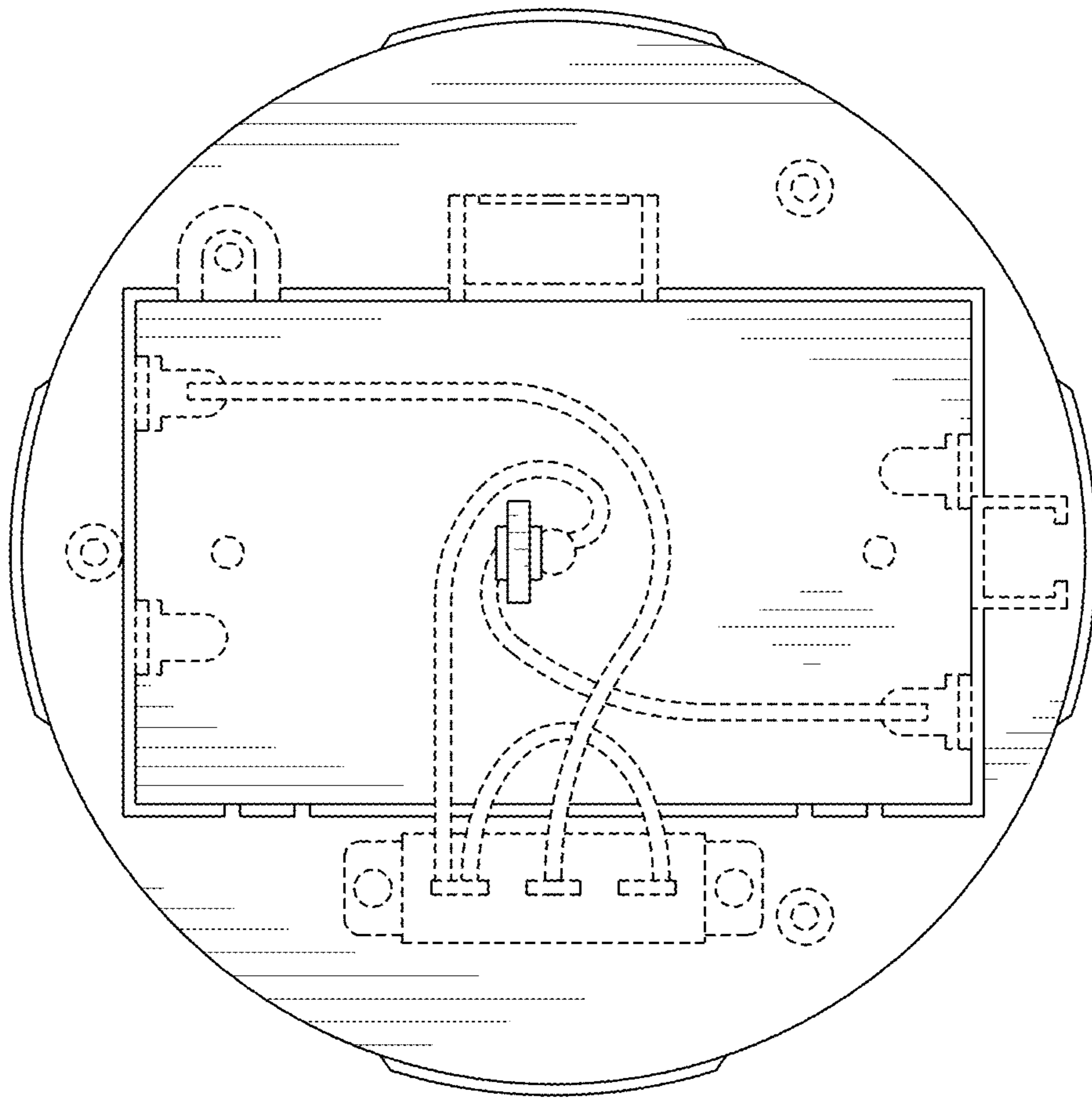


FIG. 2

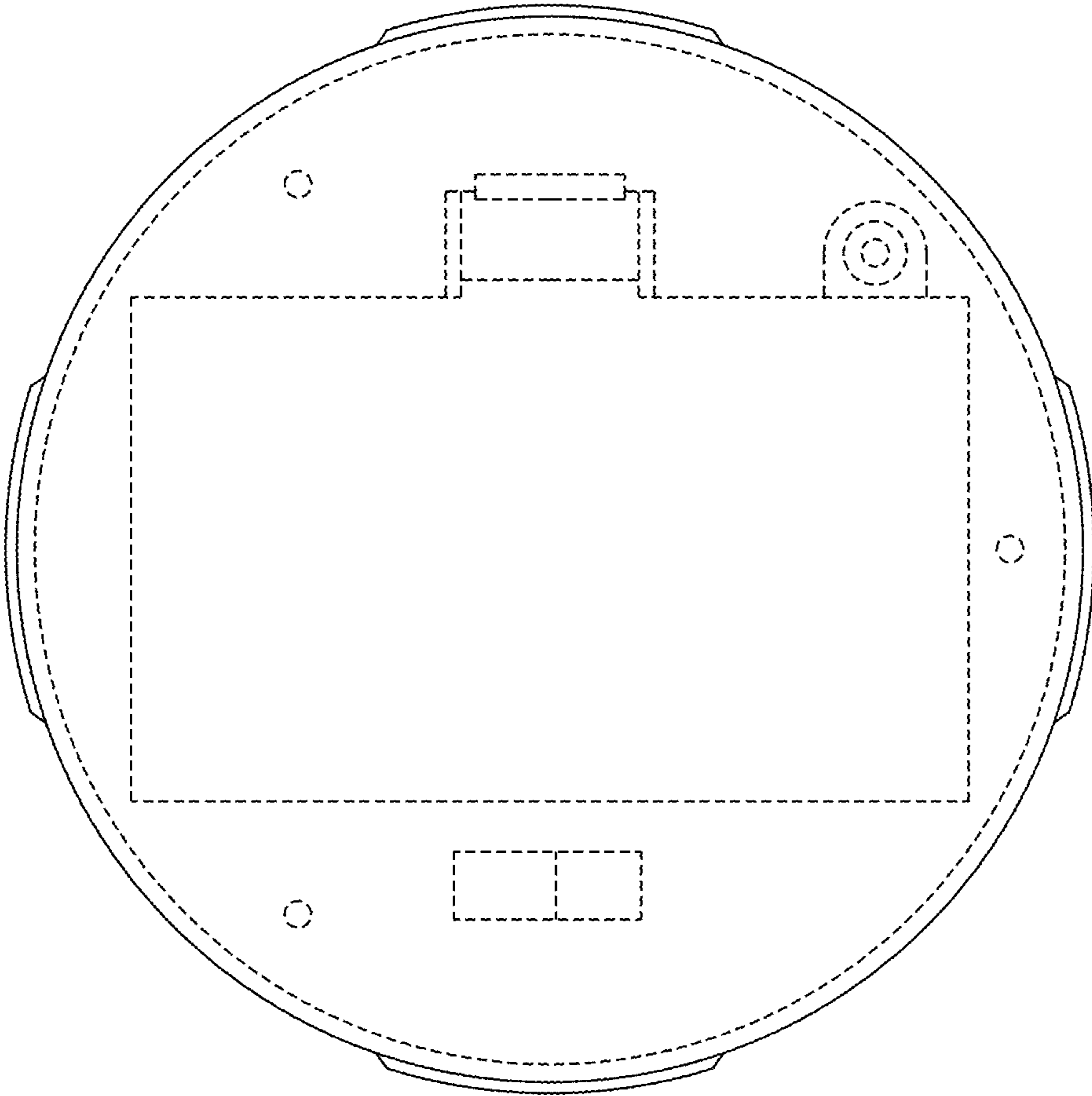


FIG. 3

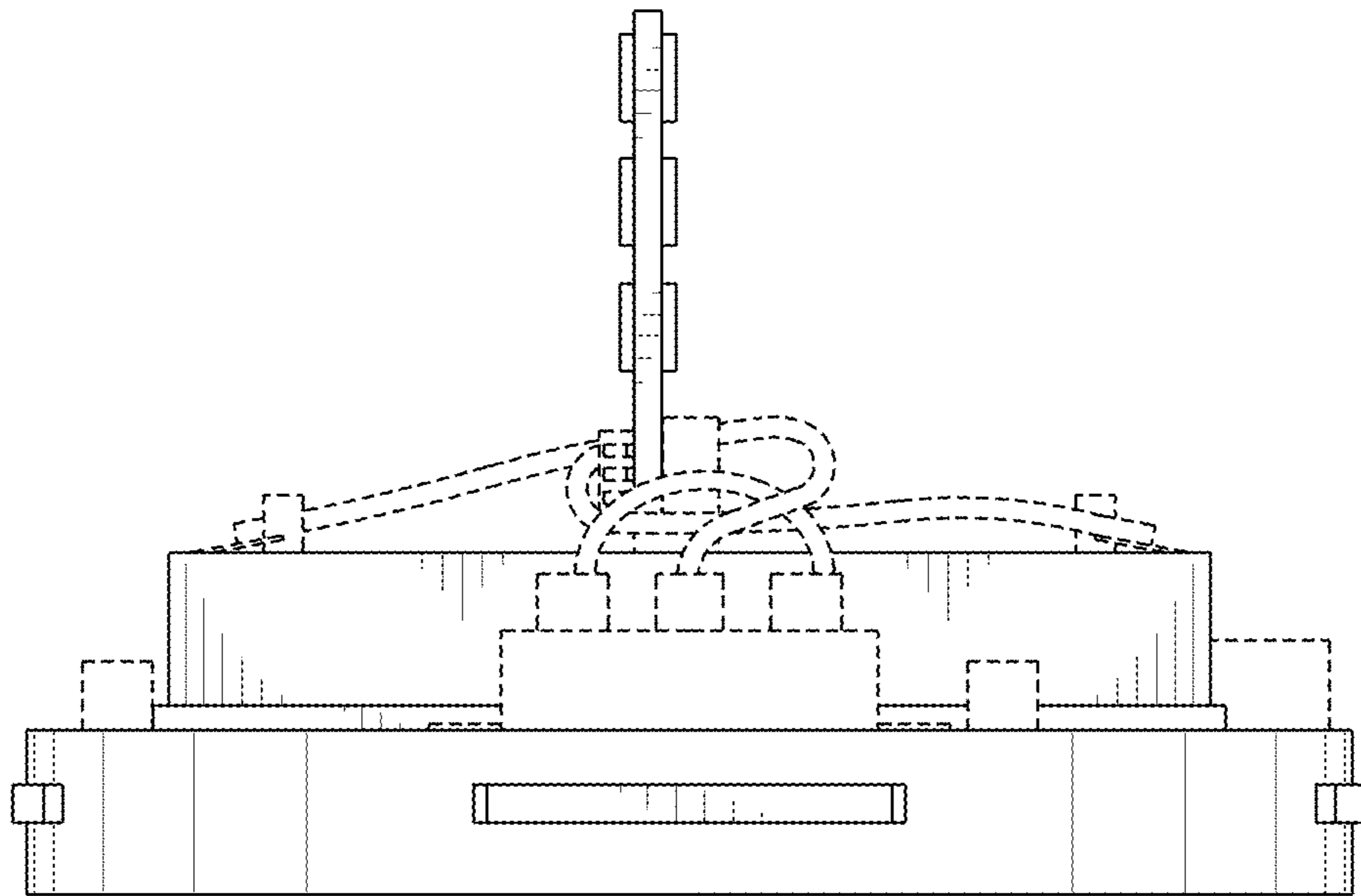


FIG. 4

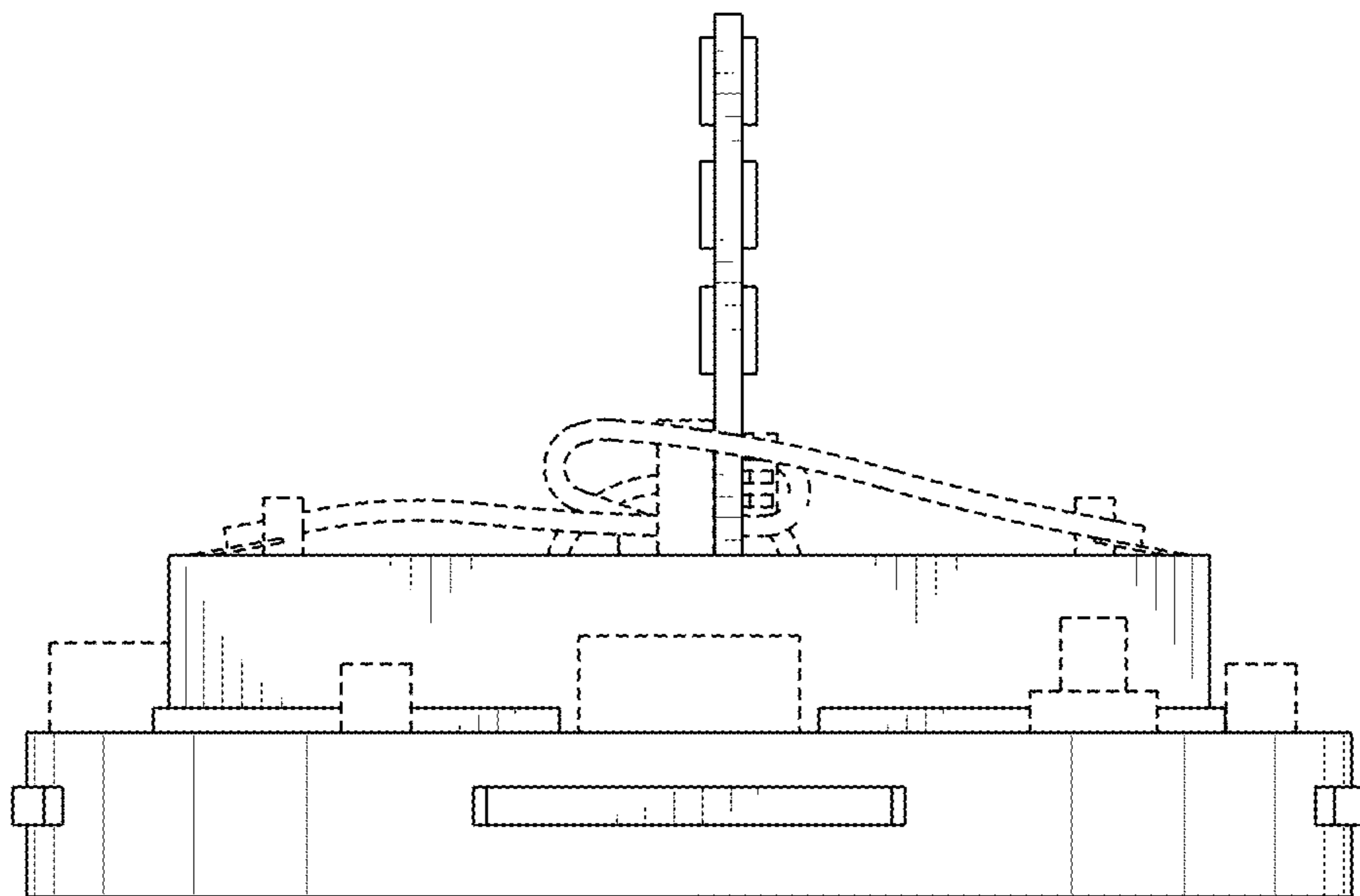


FIG. 5

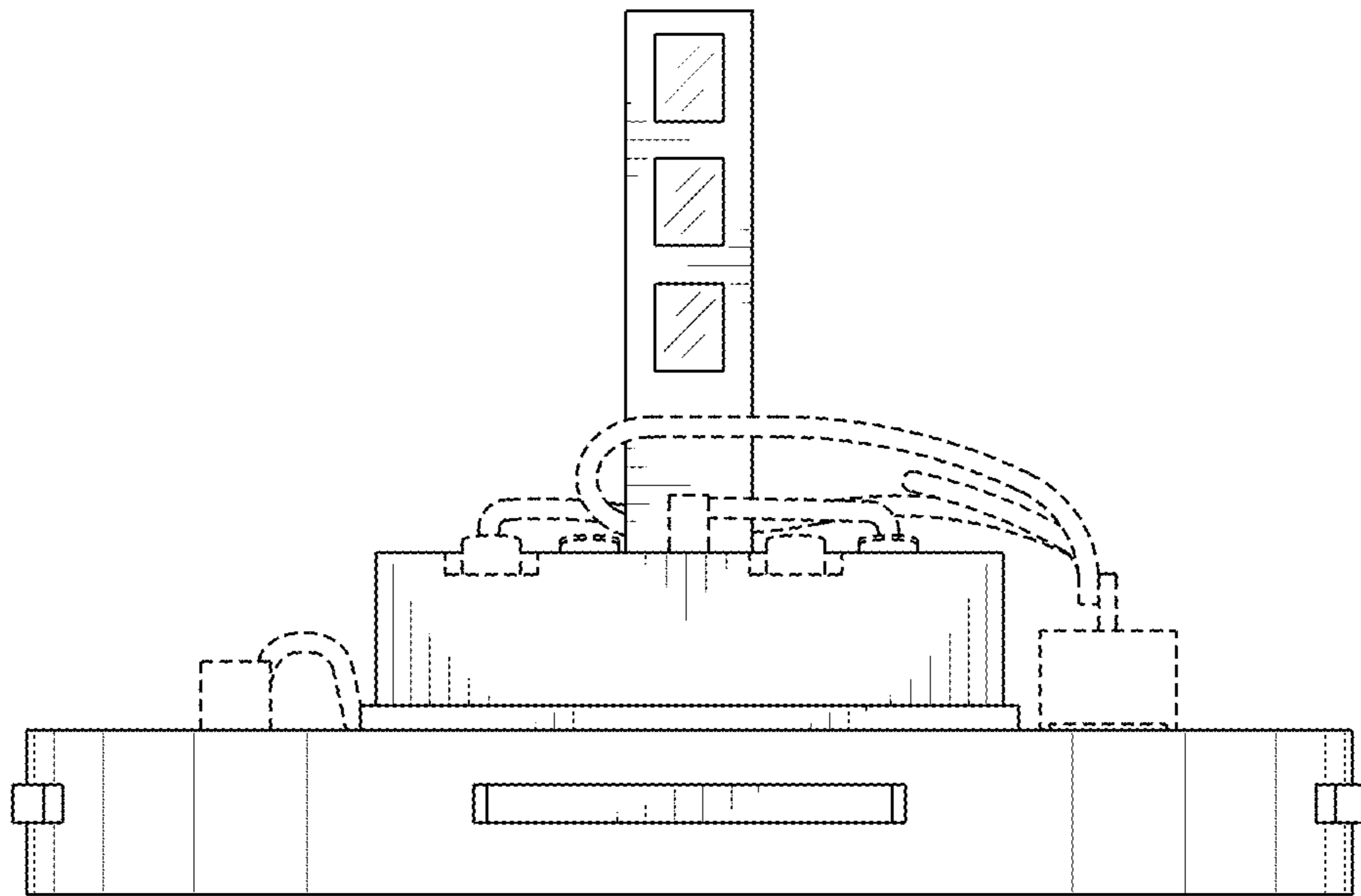


FIG. 6

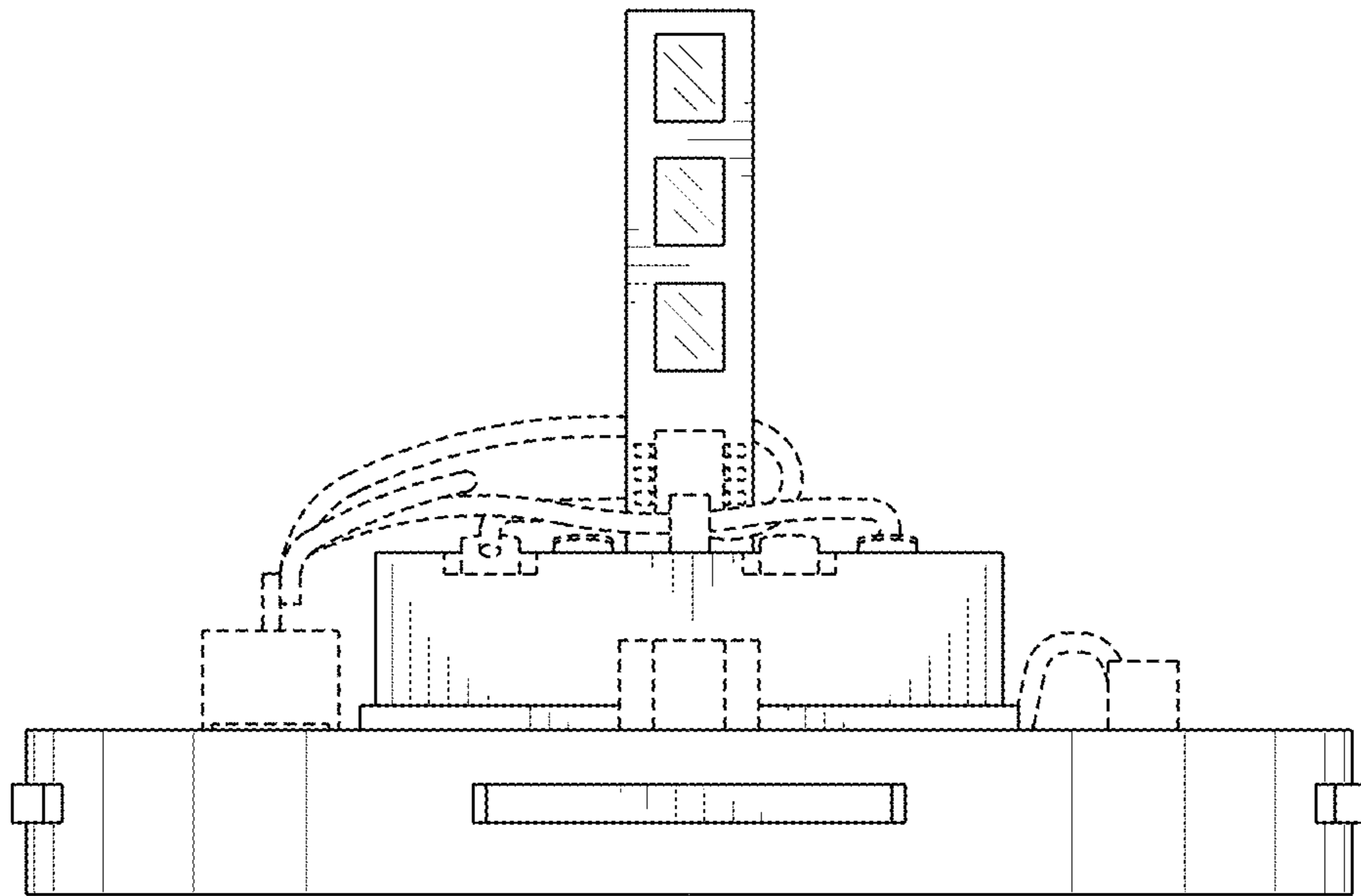


FIG. 7

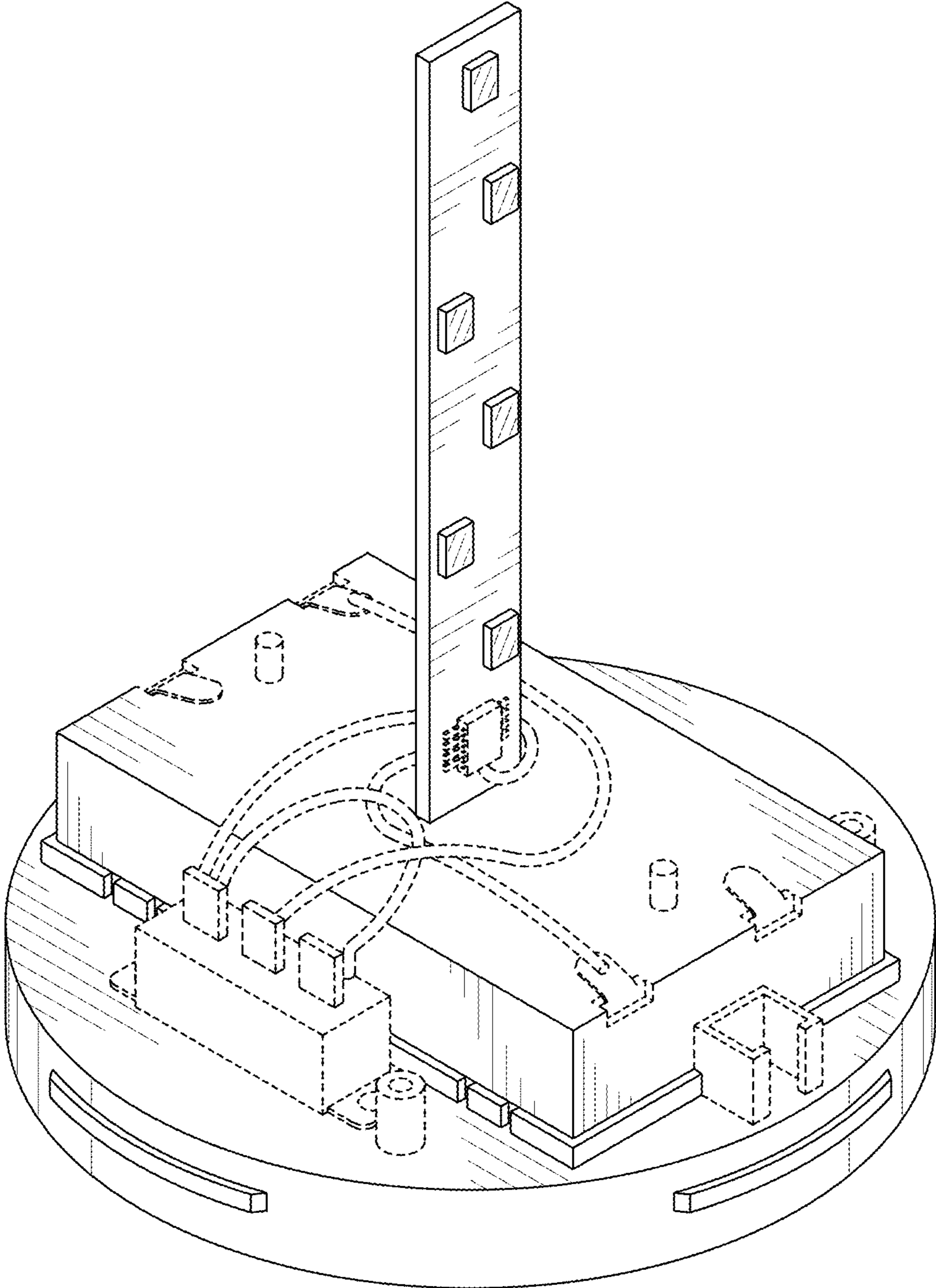


FIG. 8

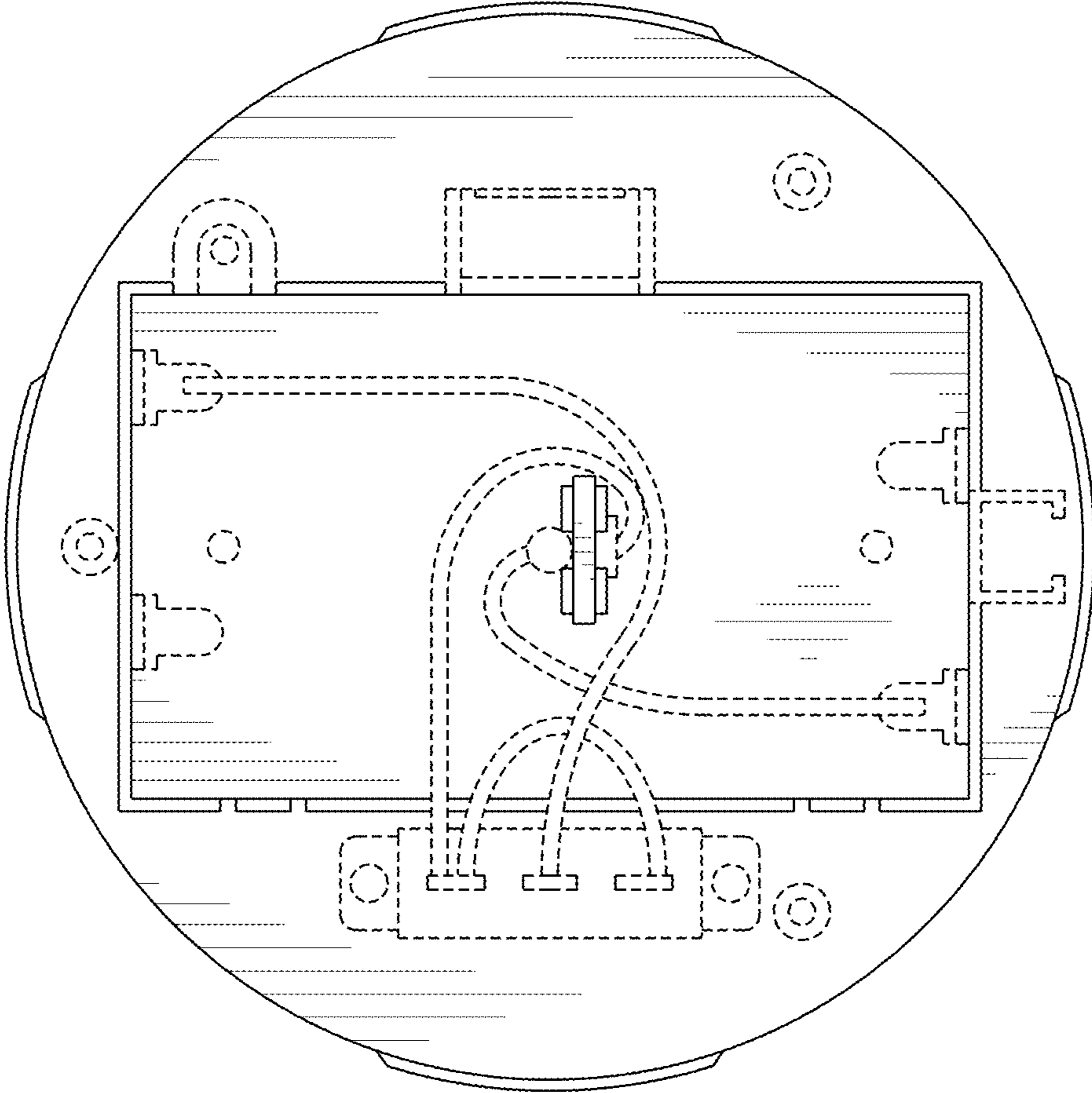


FIG. 9

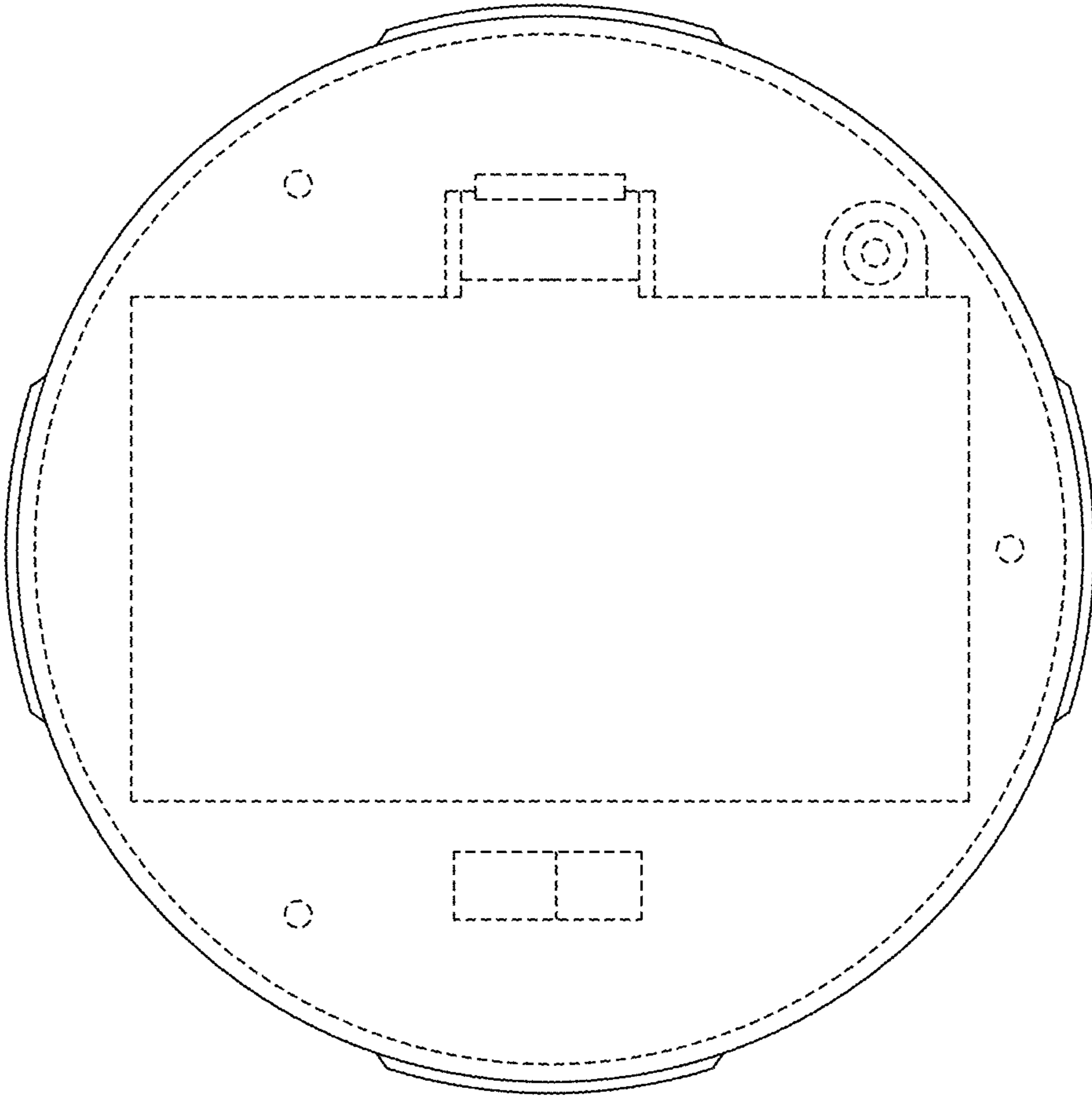


FIG. 10

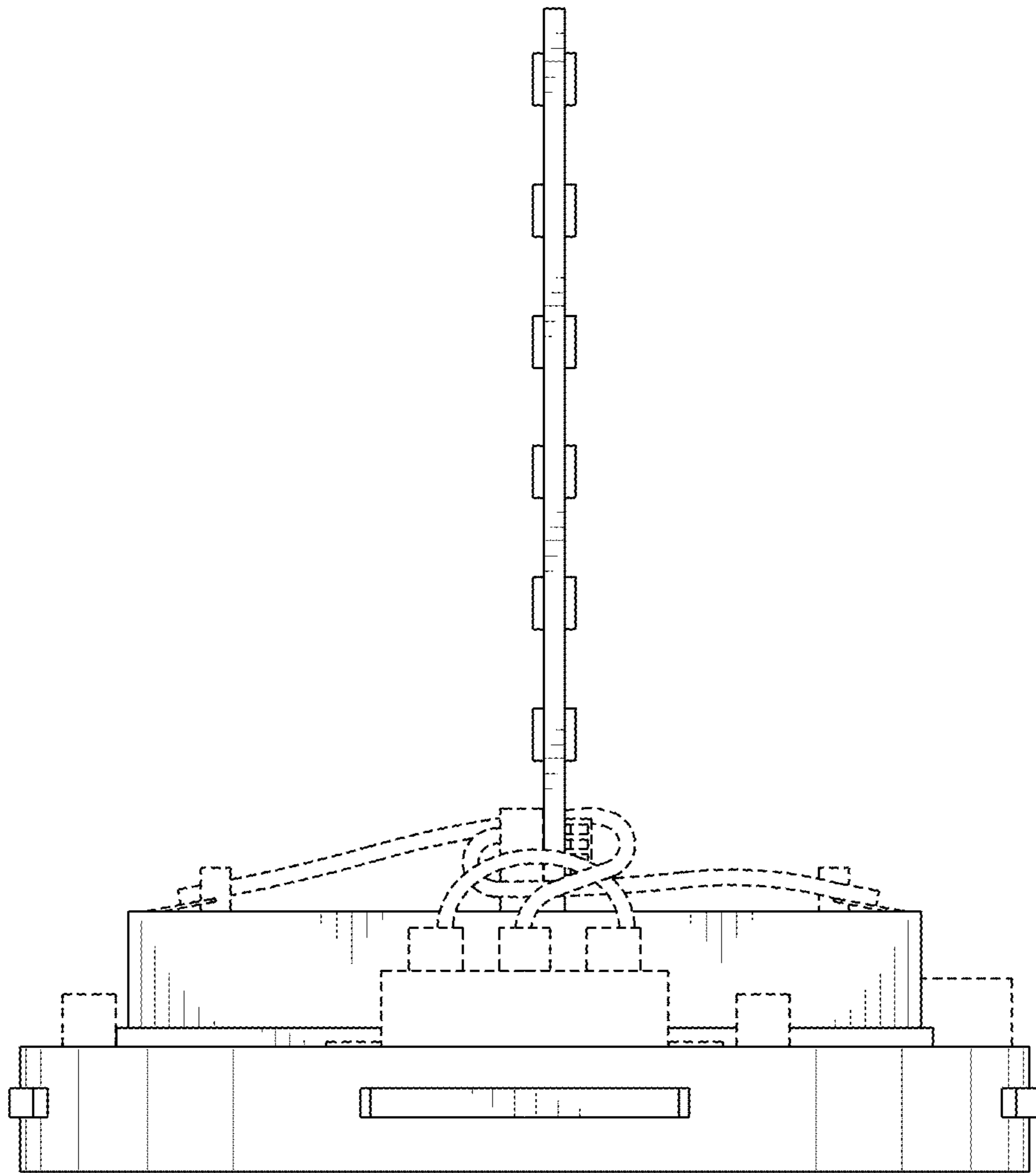


FIG. 11

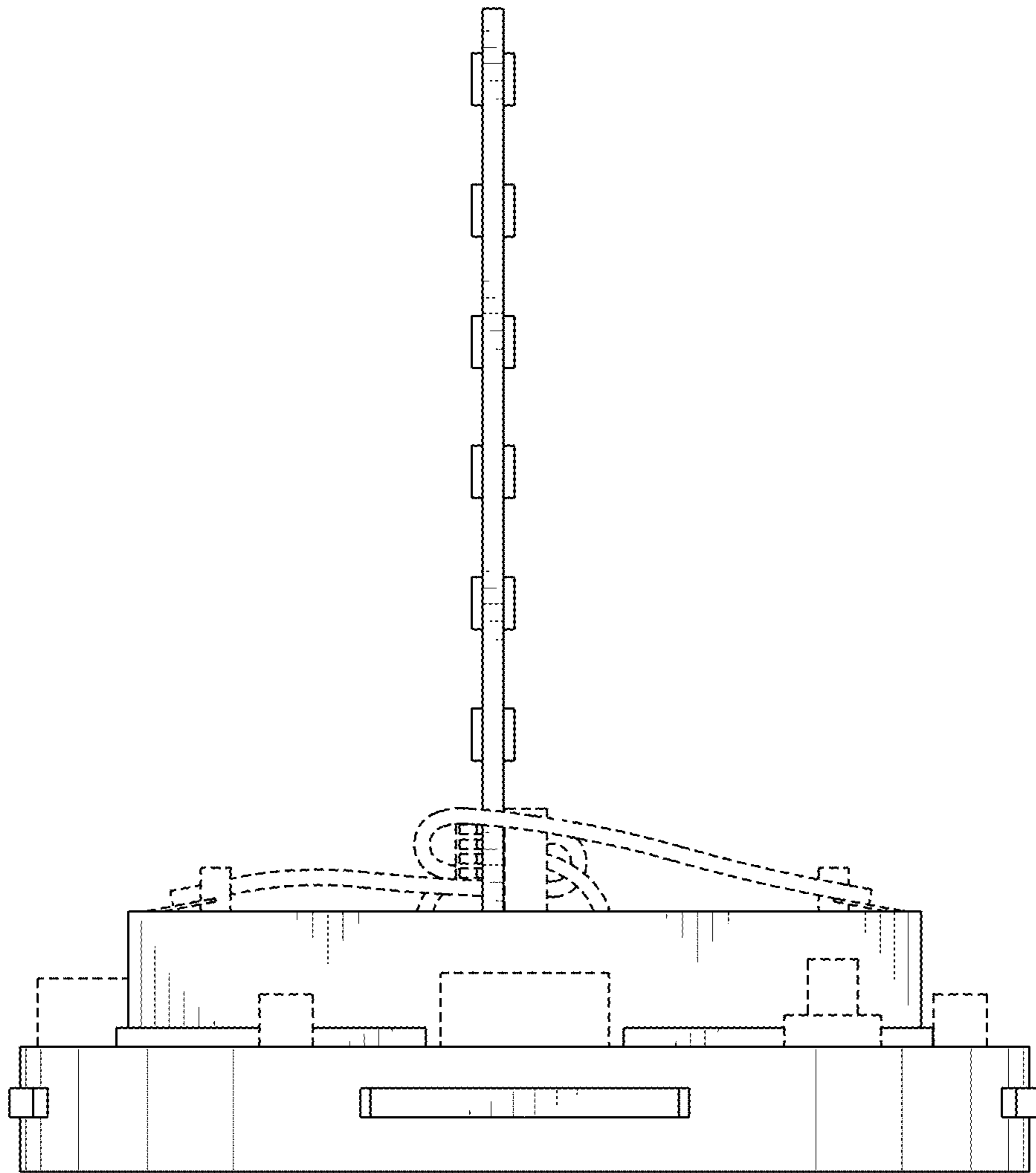


FIG. 12

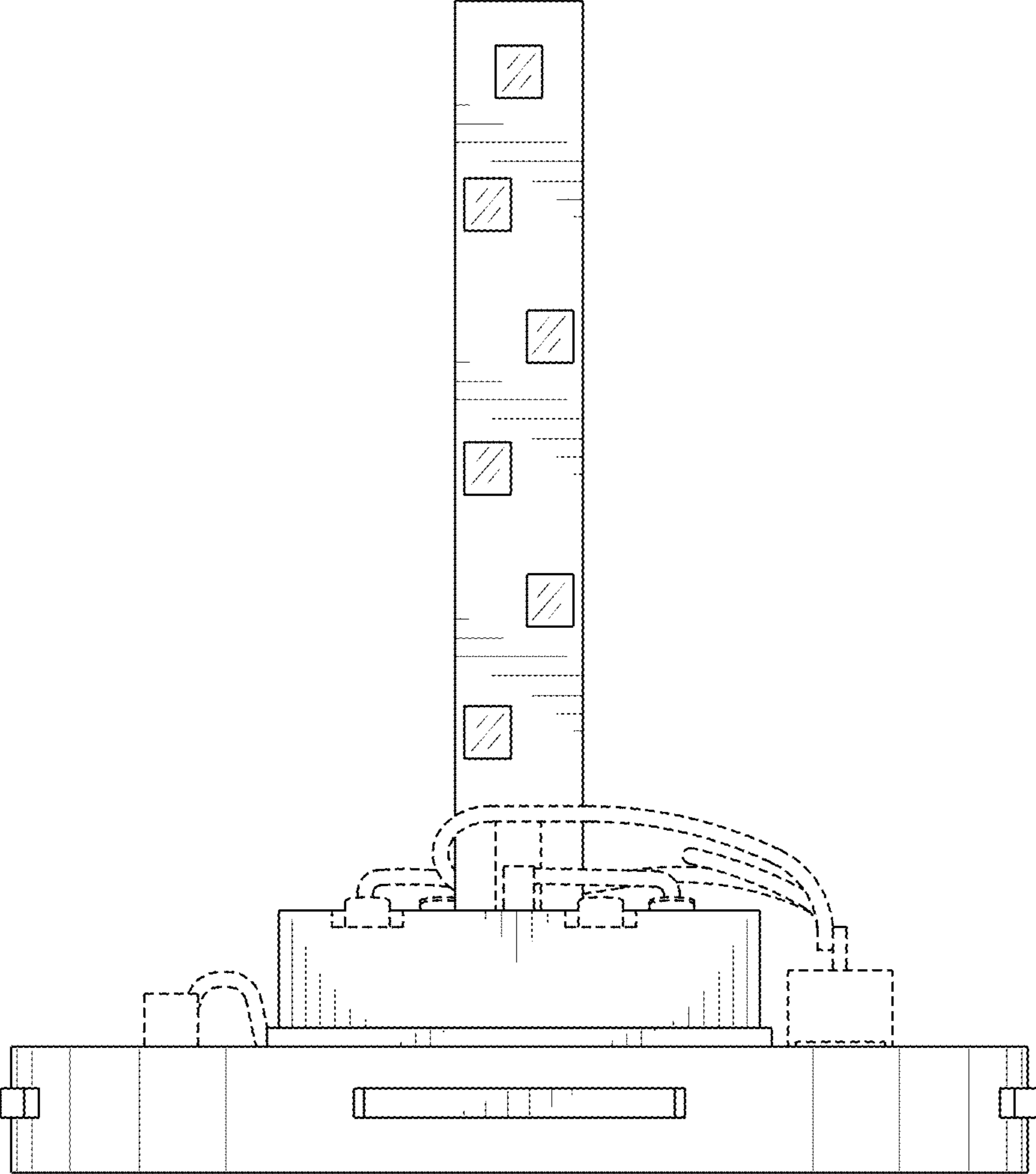


FIG. 13

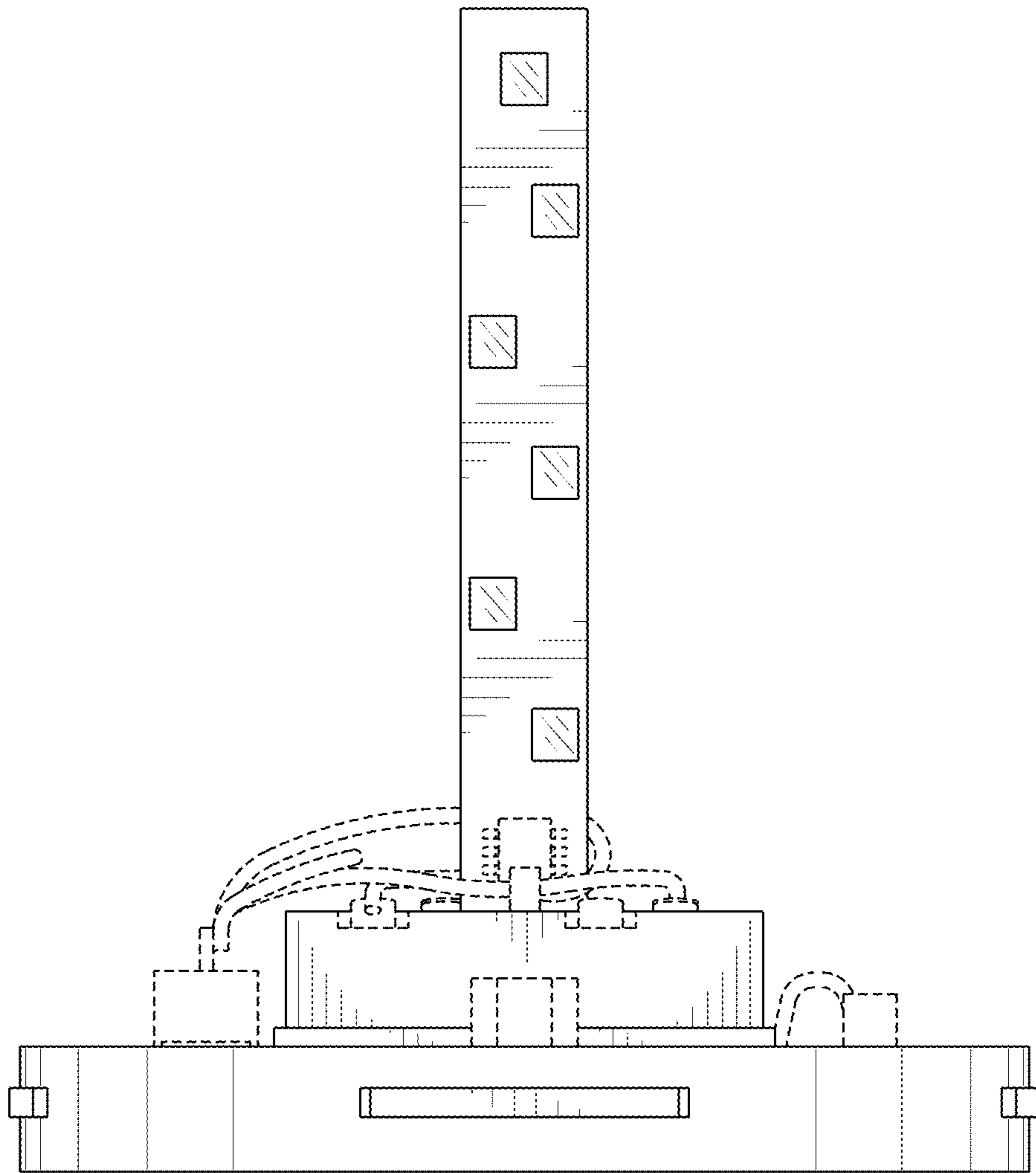


FIG. 14

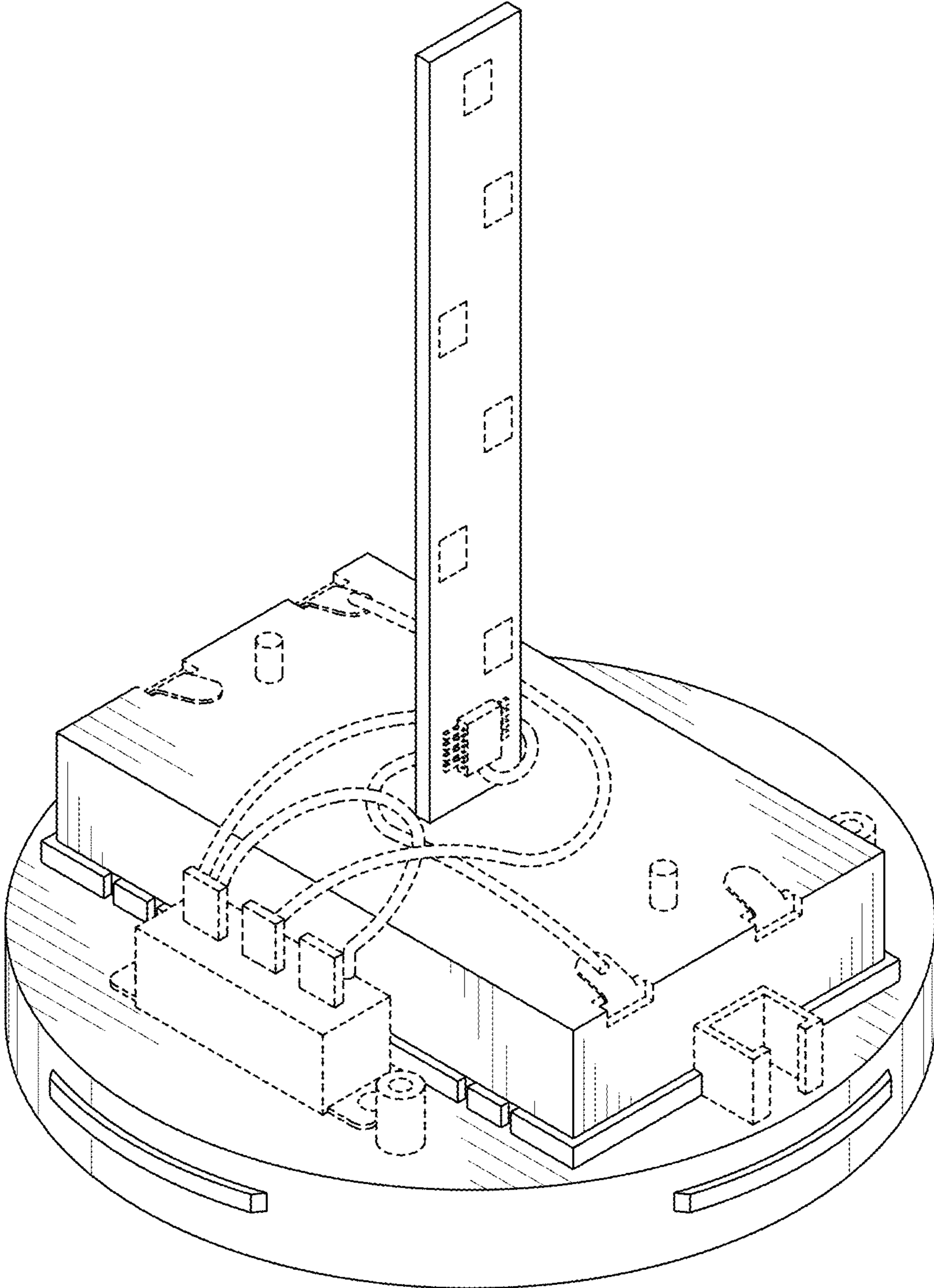


FIG. 15

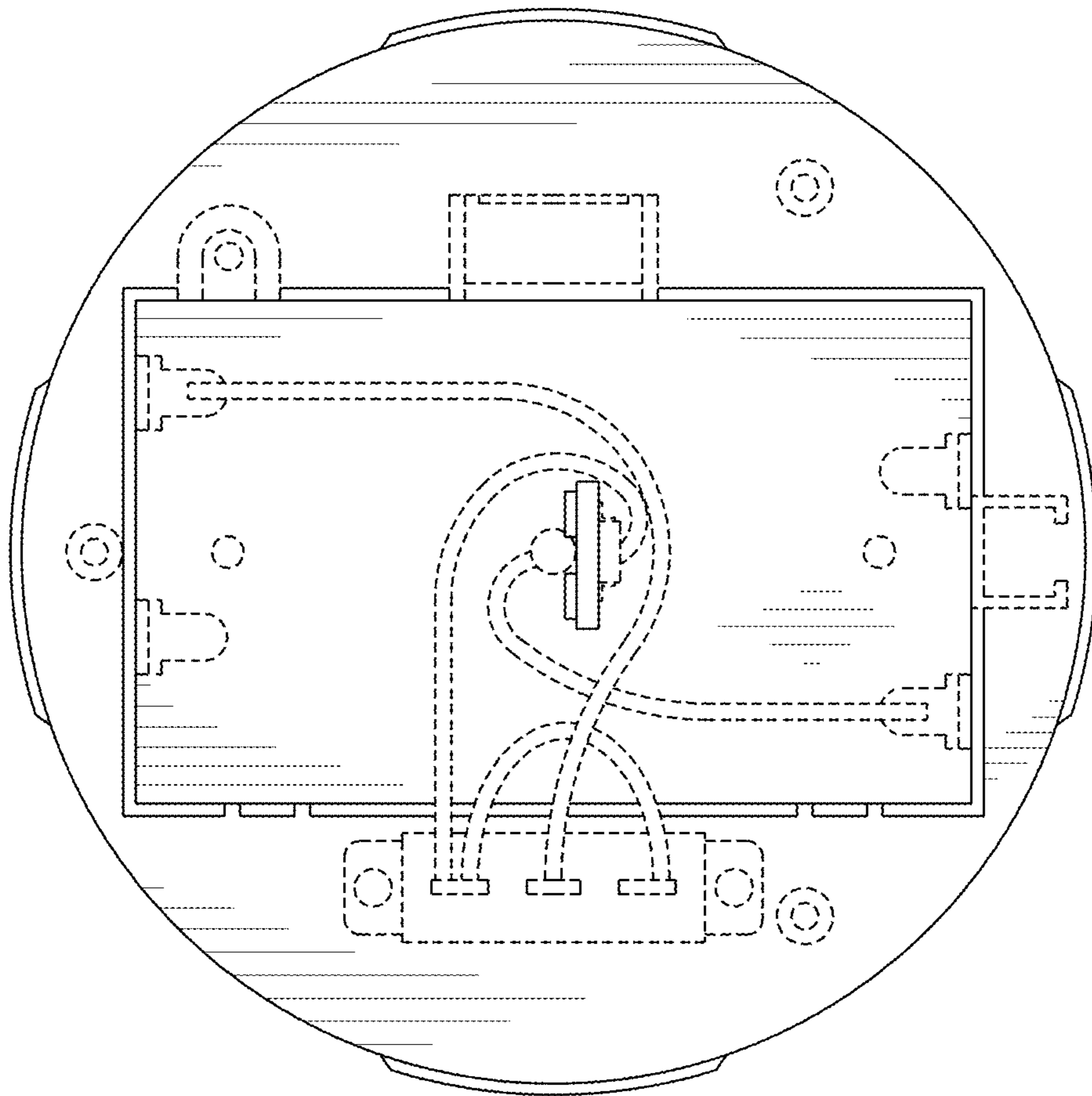


FIG. 16

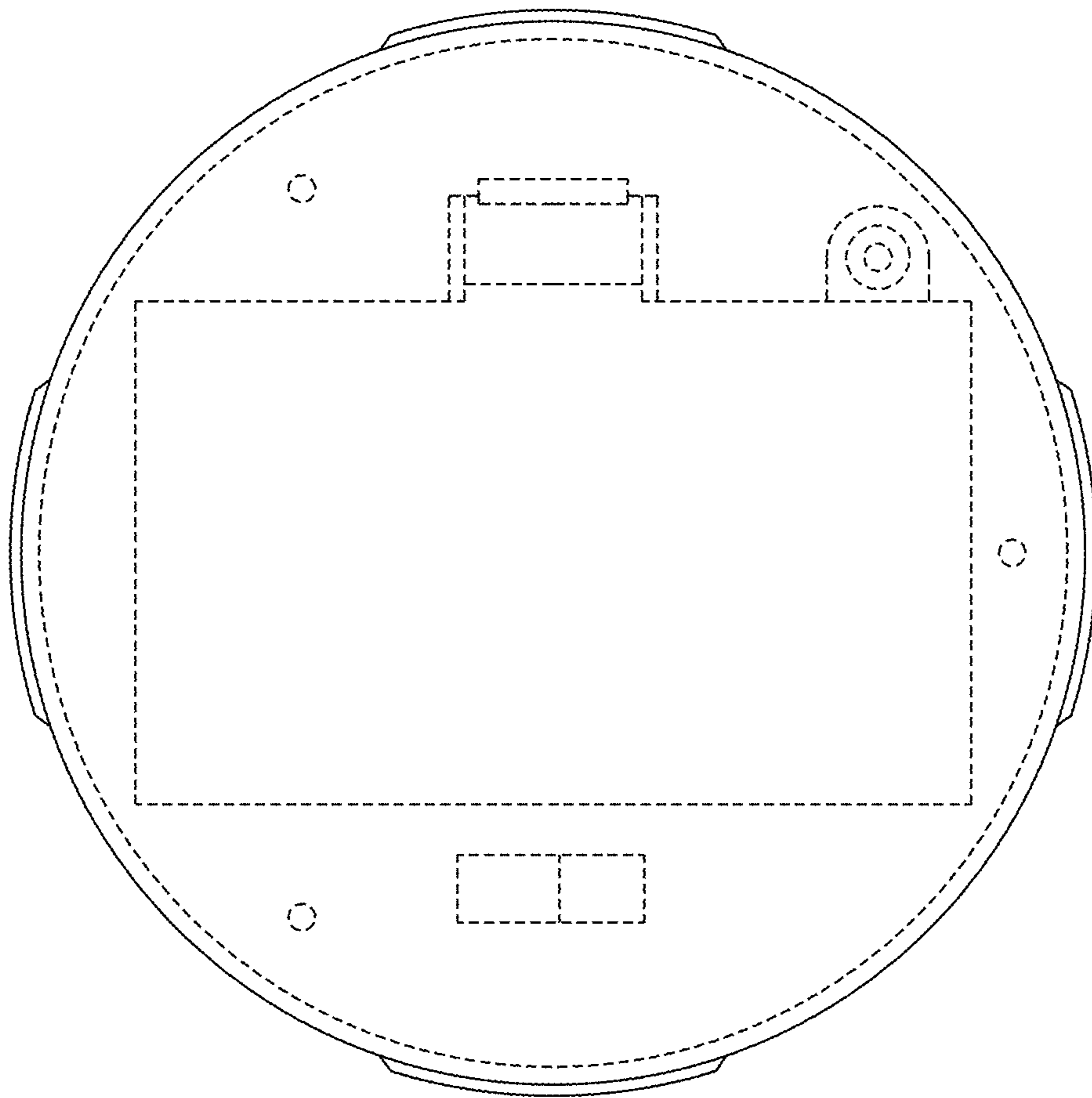


FIG. 17

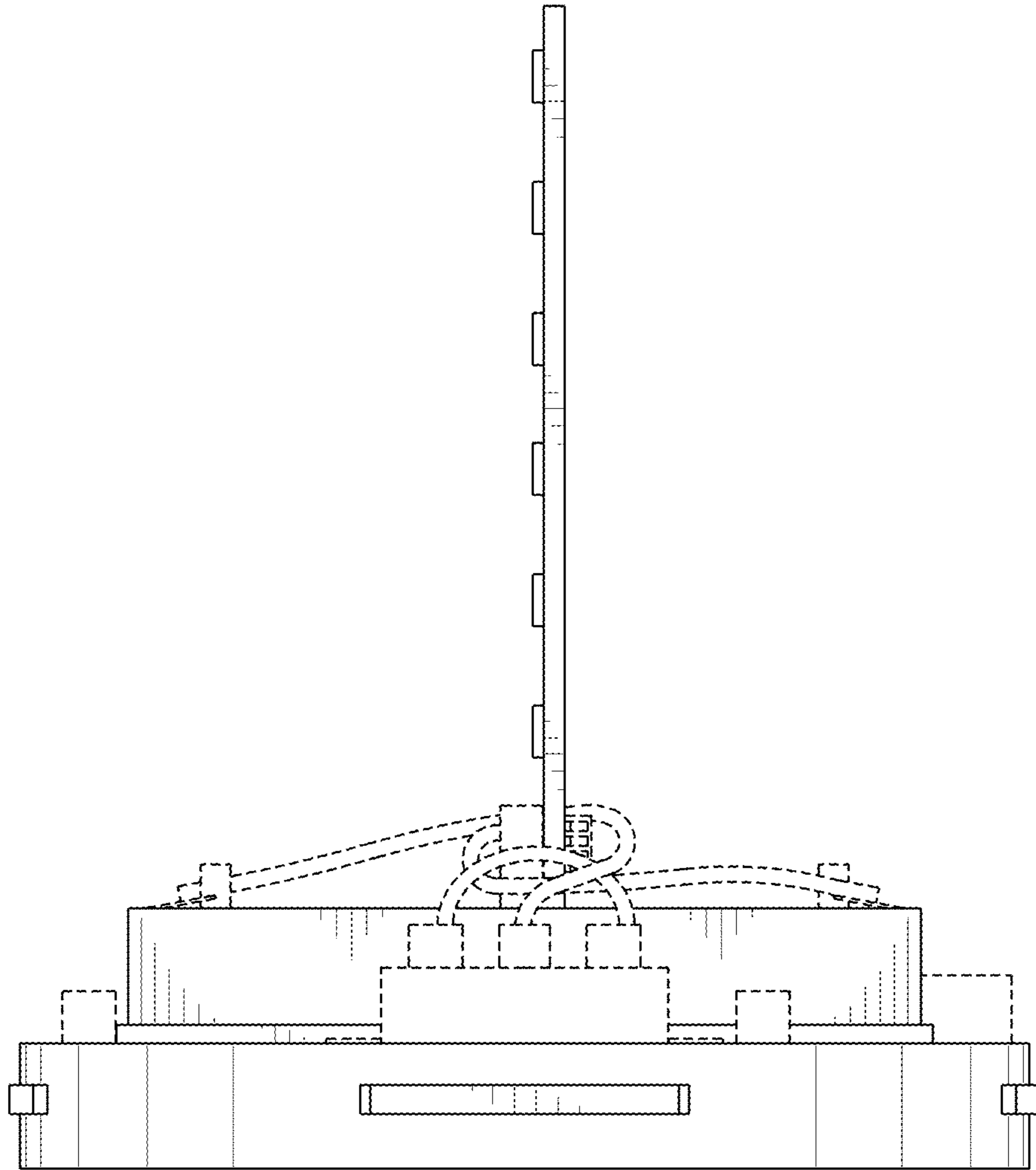


FIG. 18

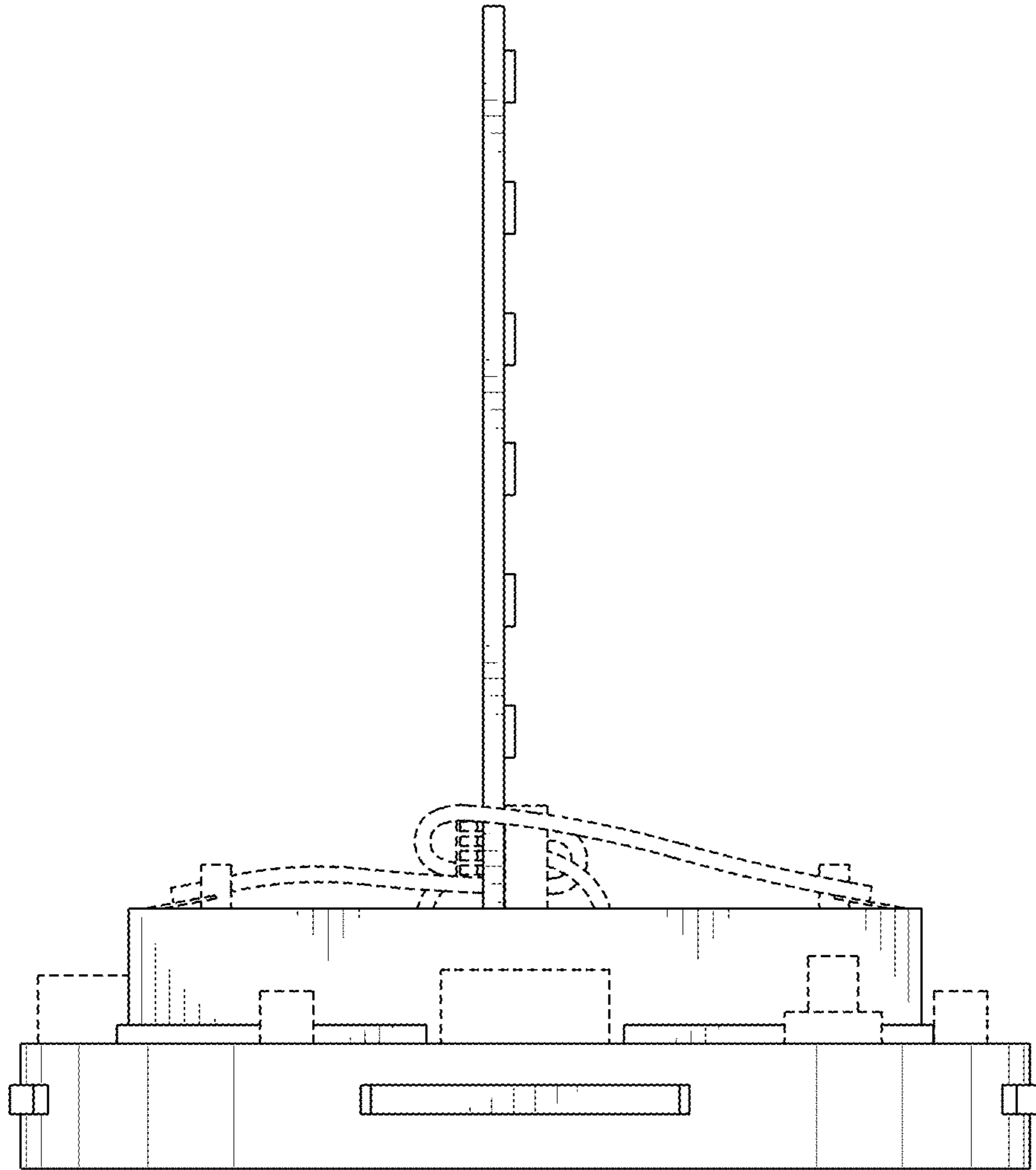


FIG. 19

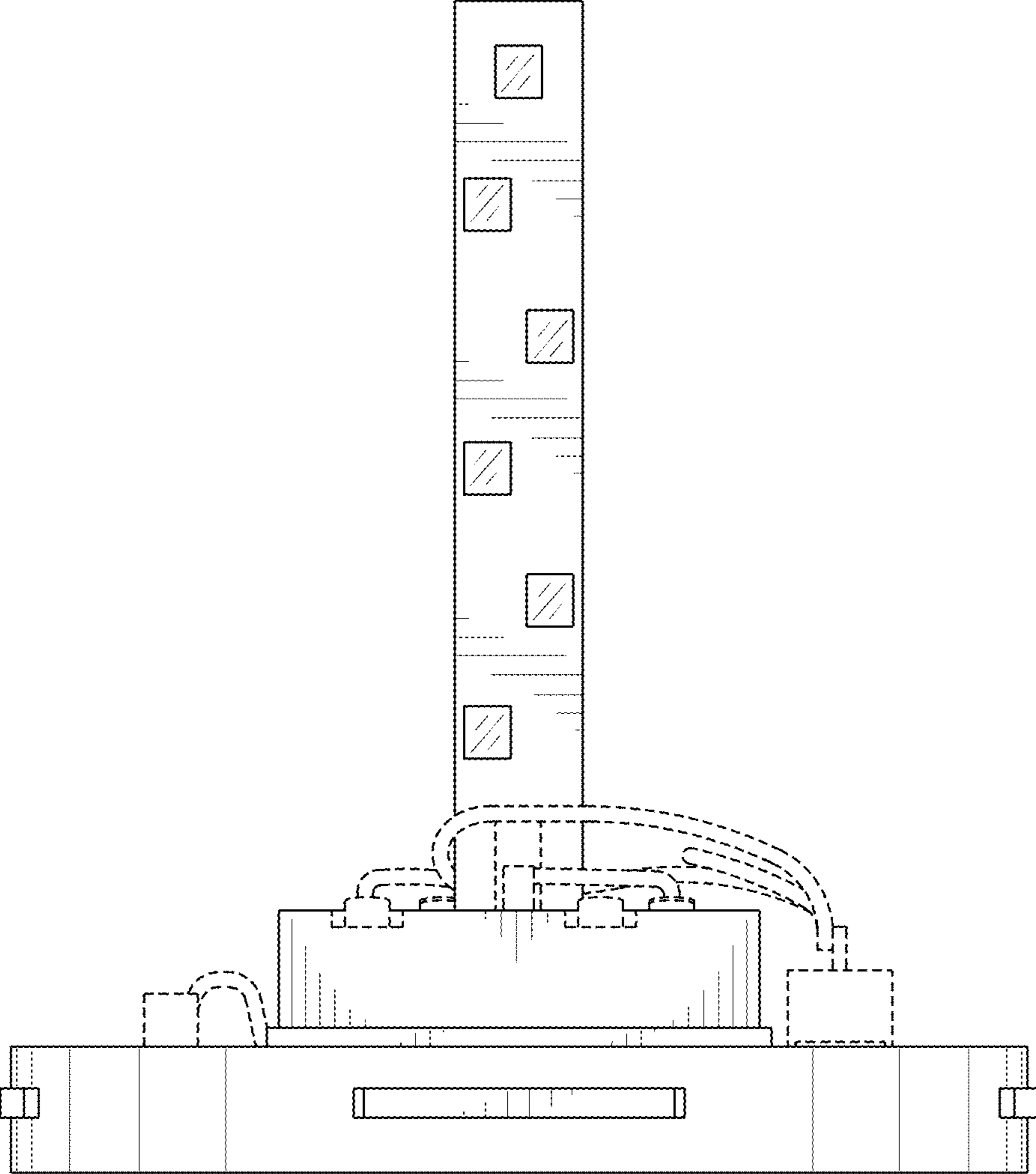


FIG. 20

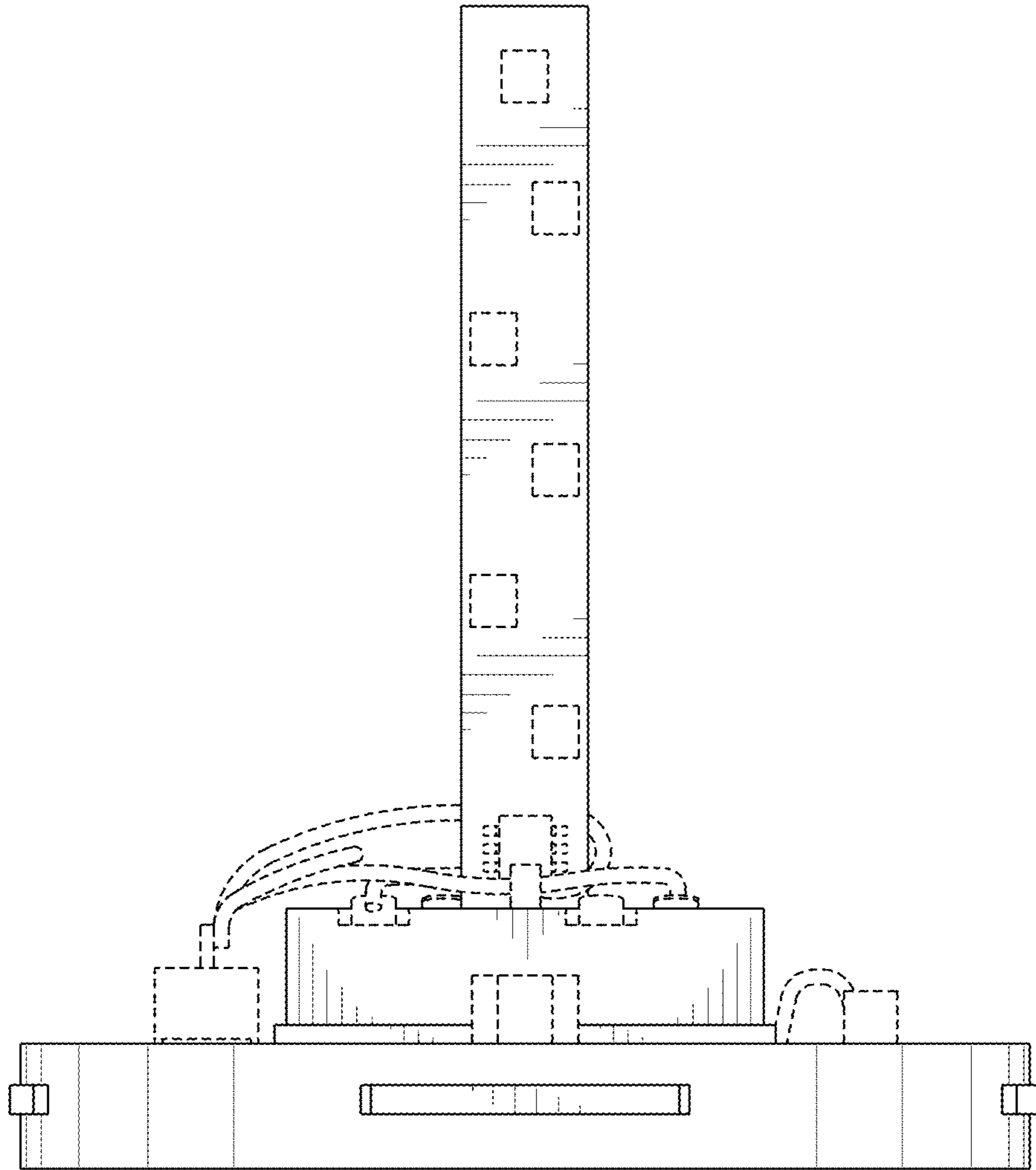


FIG. 21

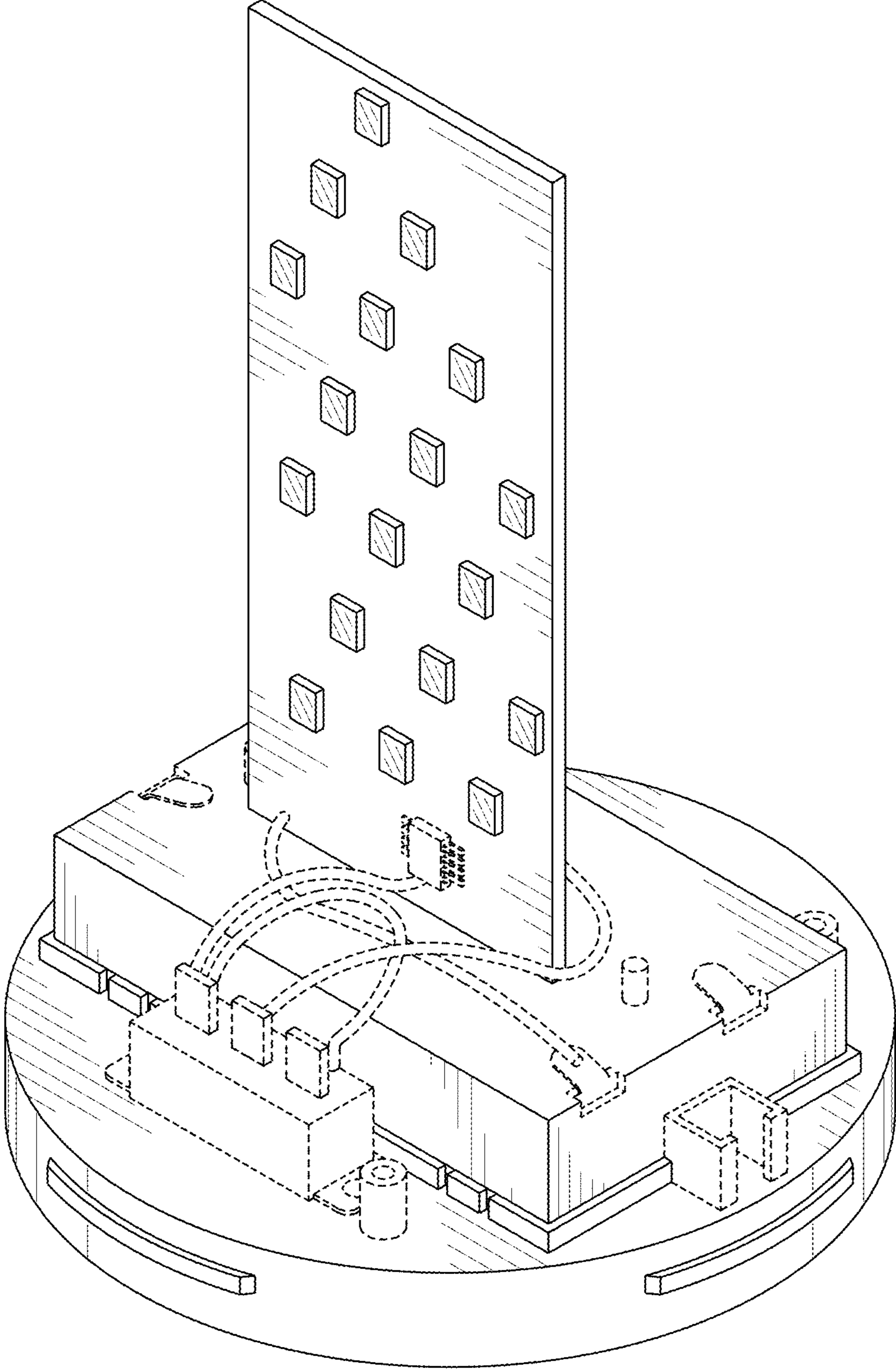


FIG. 22

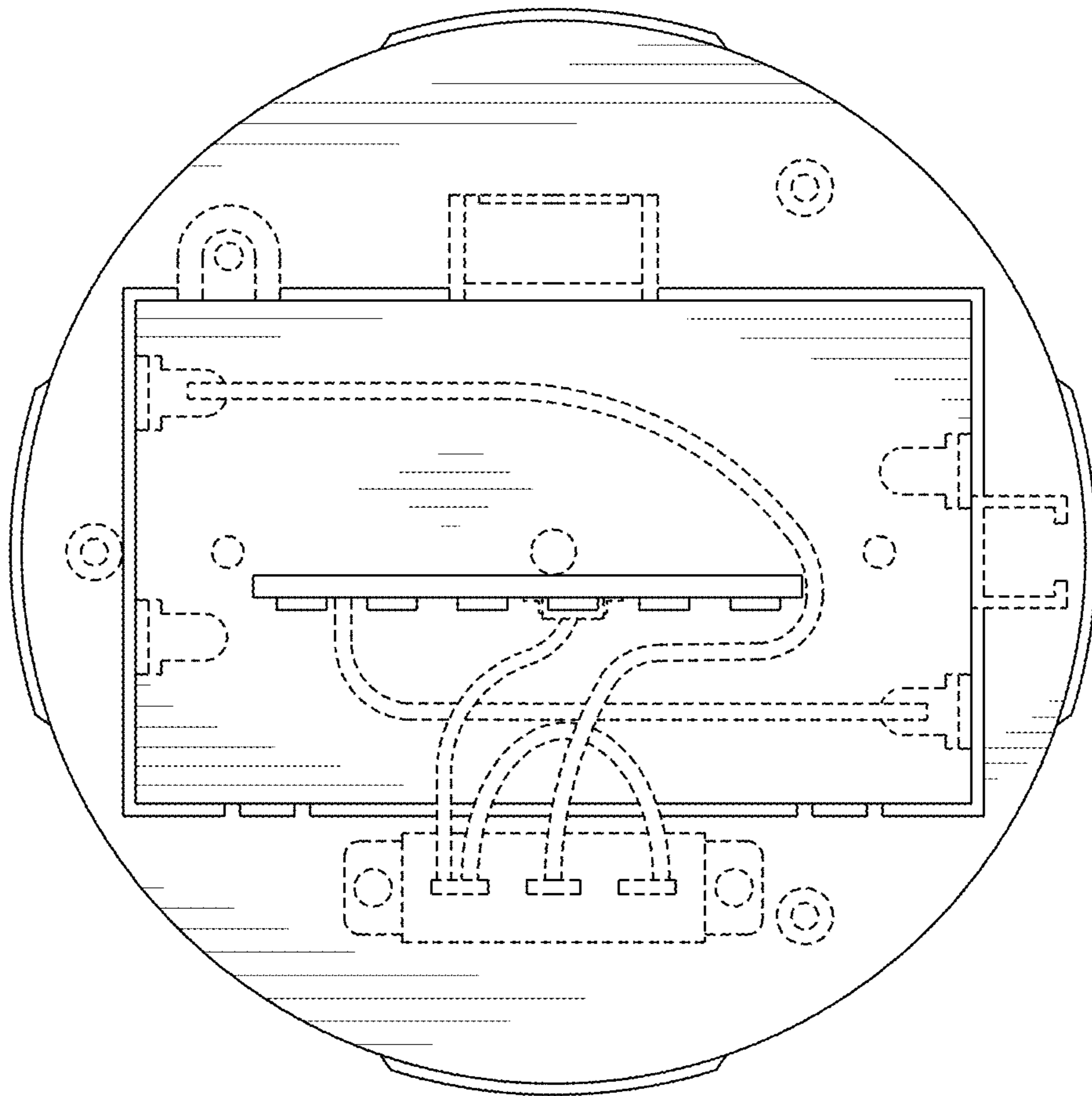


FIG. 23

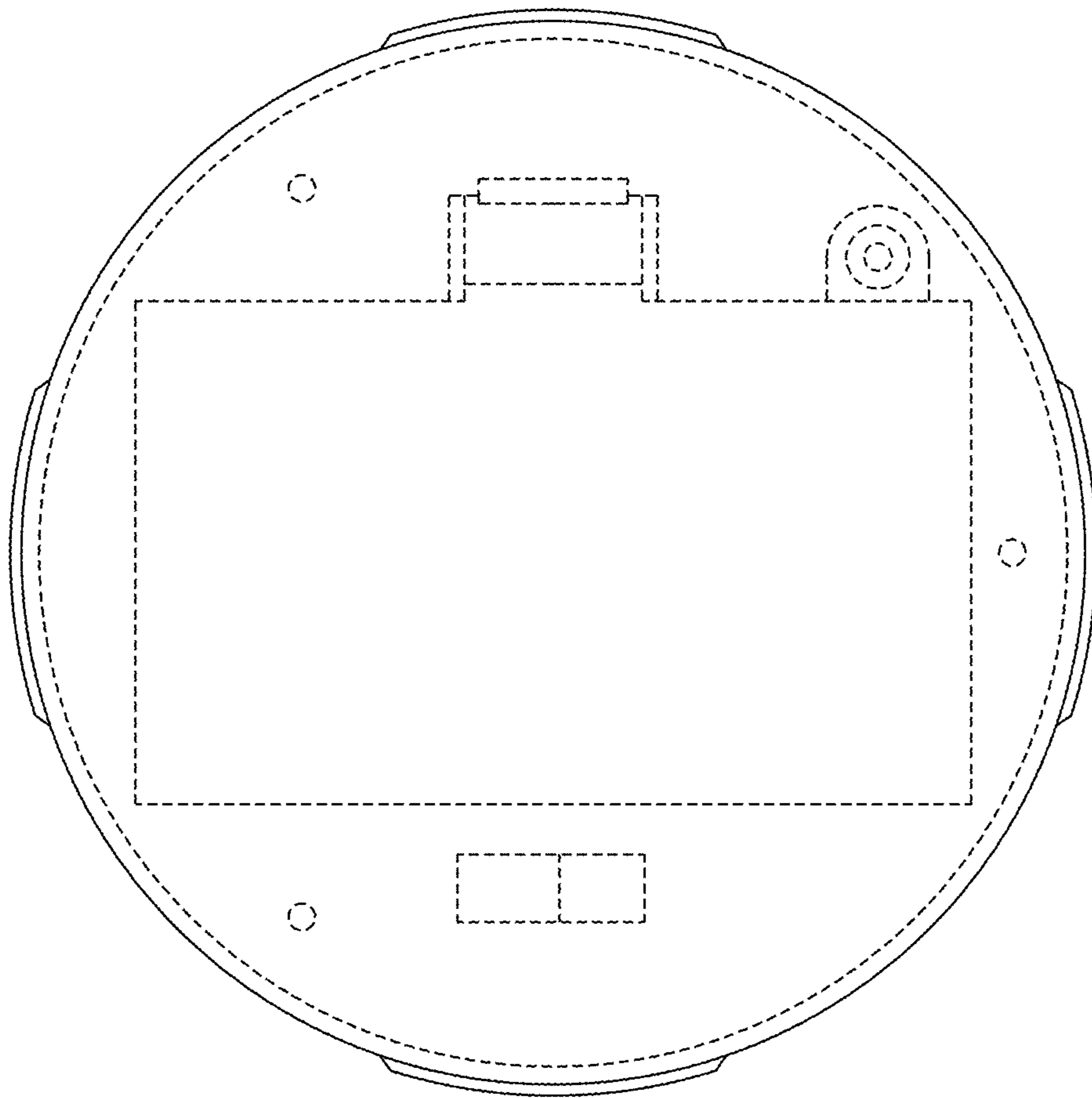


FIG. 24

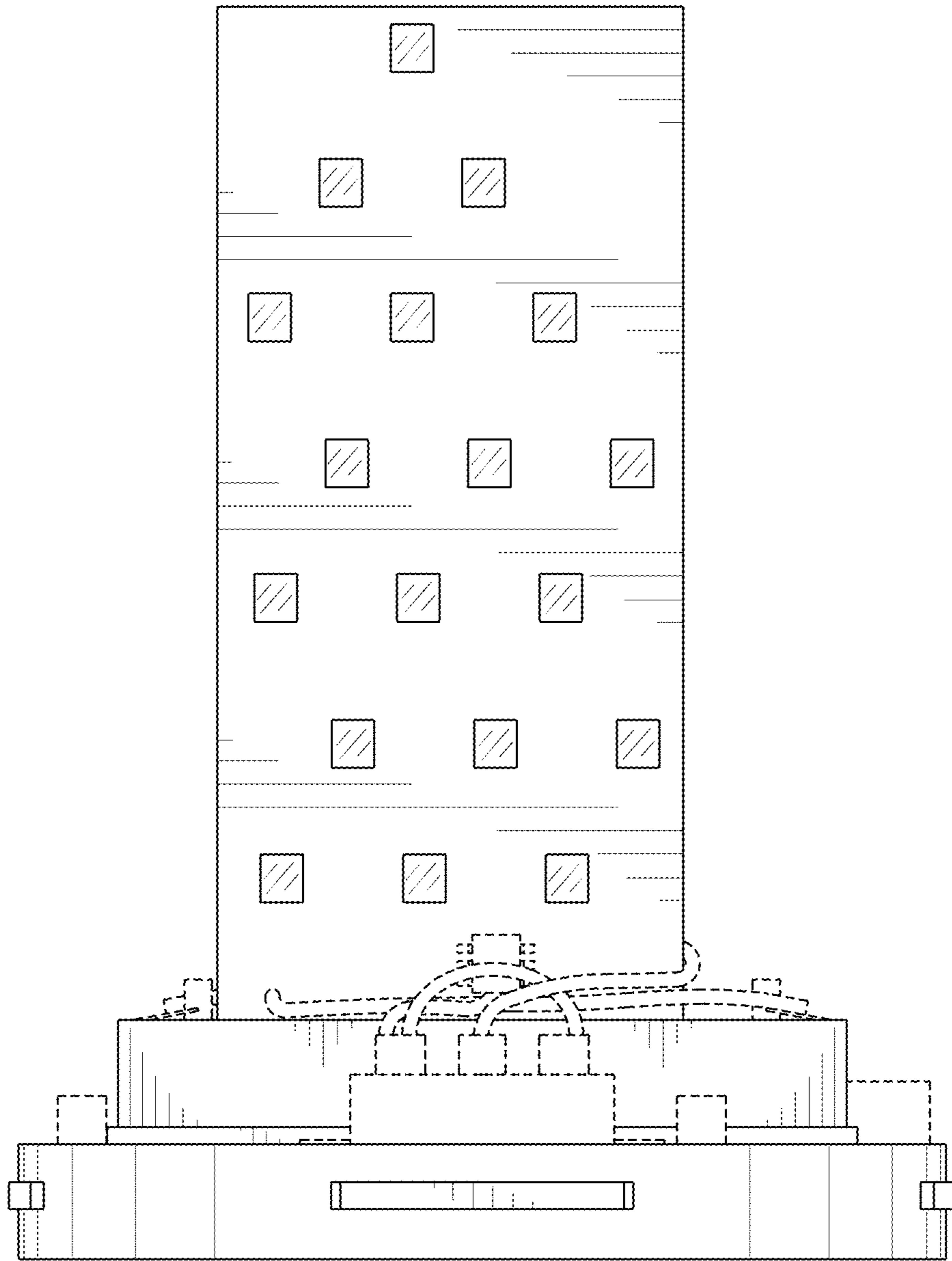


FIG. 25

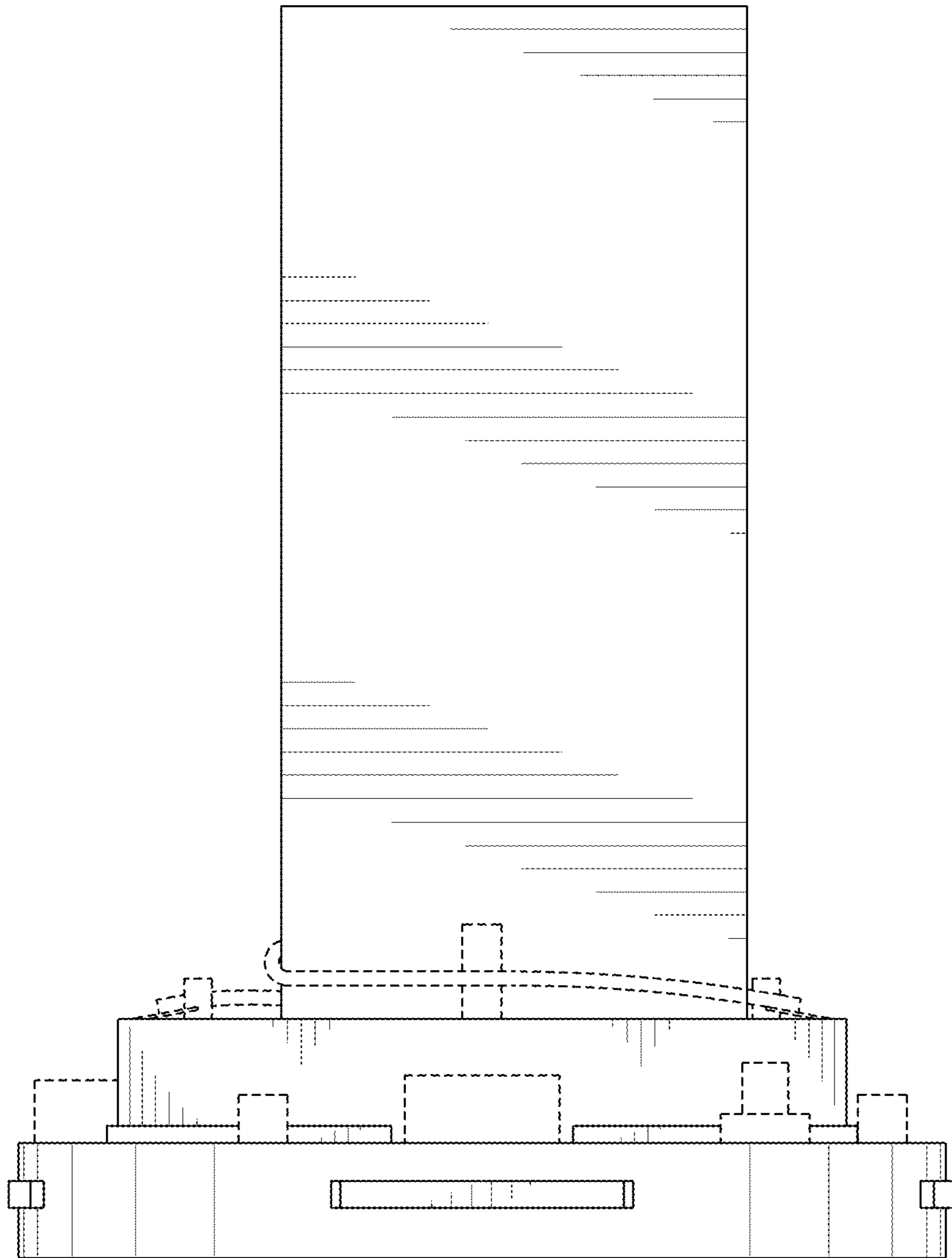


FIG. 26

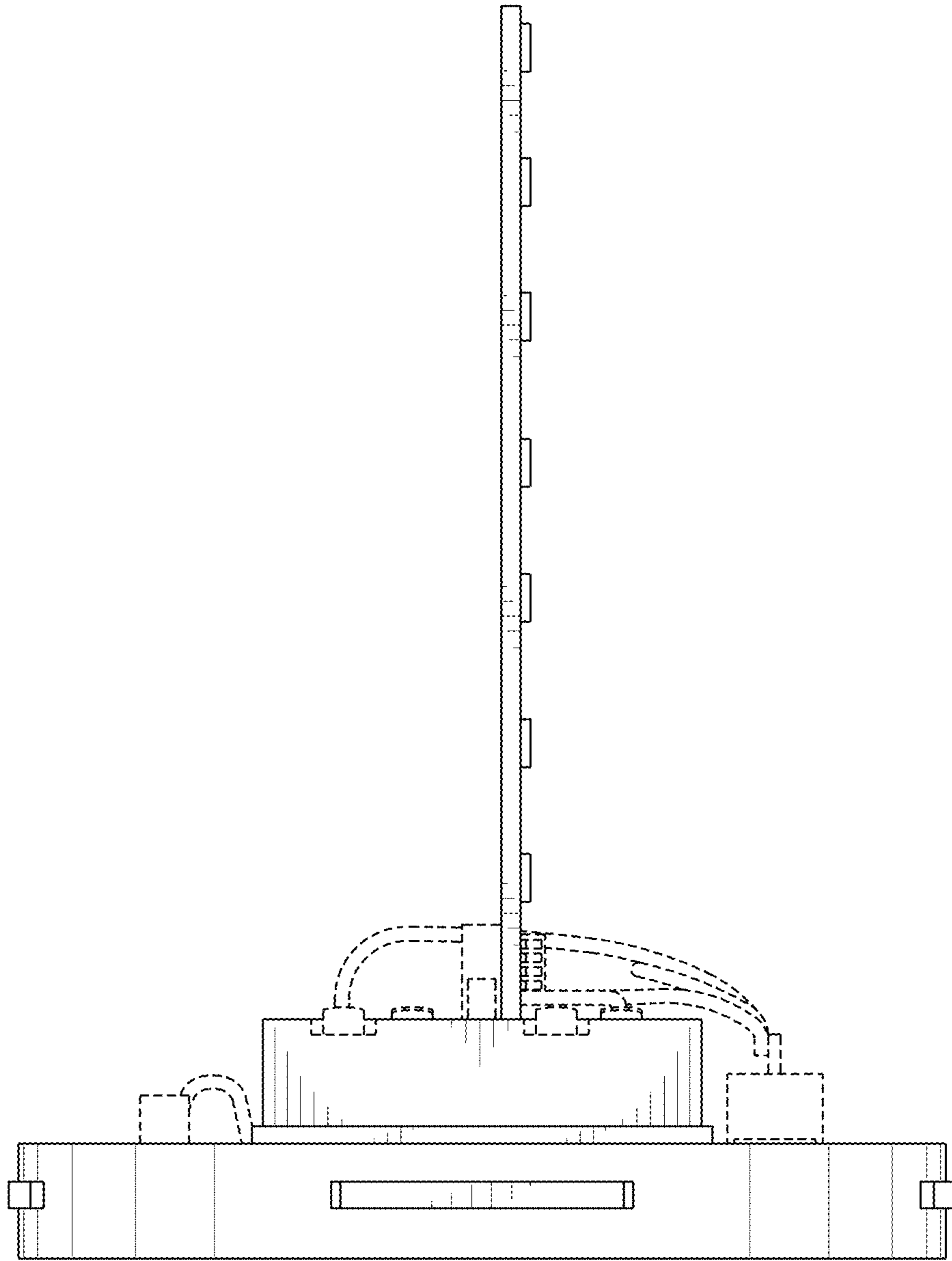


FIG. 27

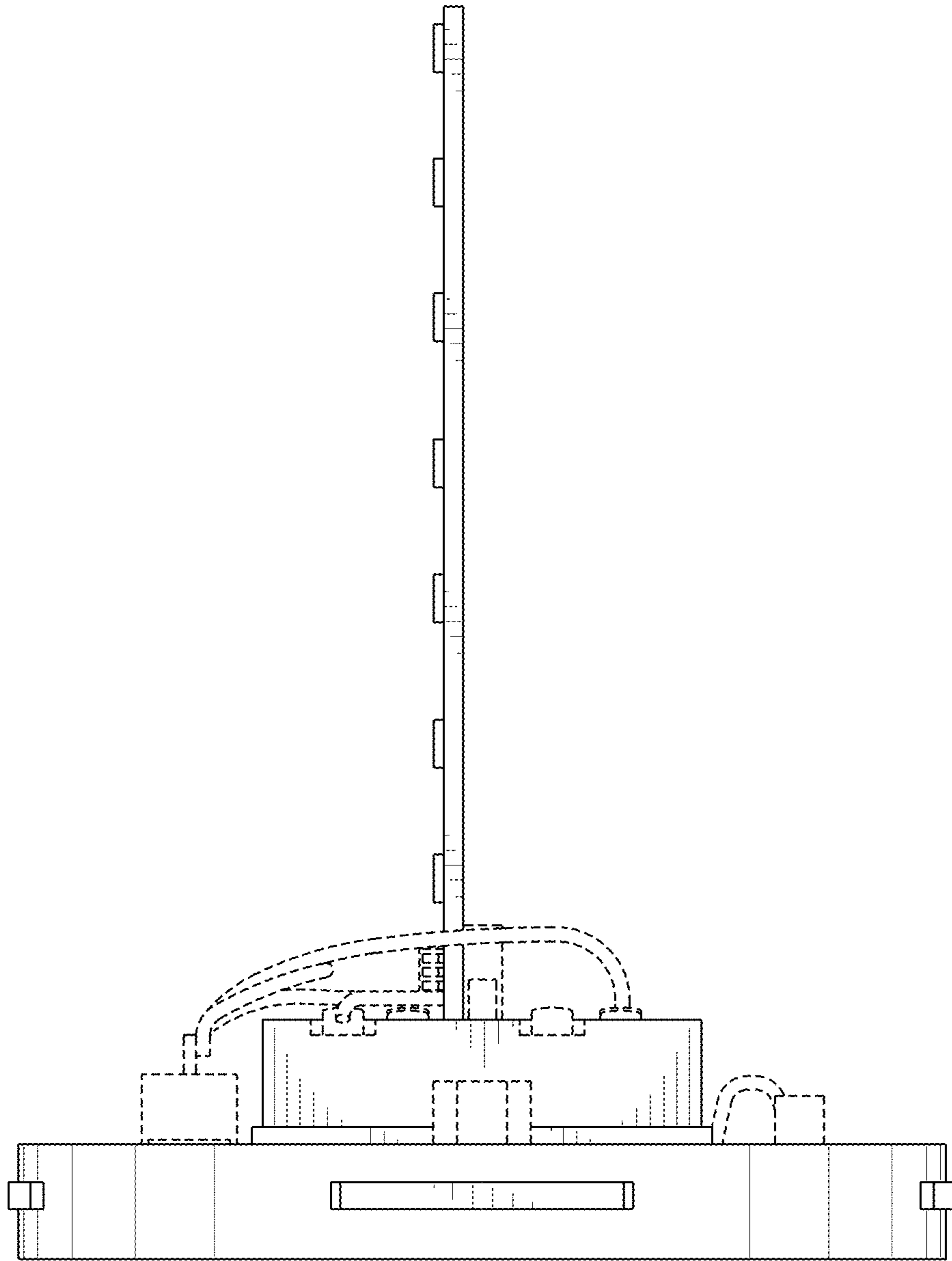


FIG. 28