



US00D986076S

(12) **United States Design Patent**
Kim et al.

(10) **Patent No.:** **US D986,076 S**

(45) **Date of Patent:** **** May 16, 2023**

(54) **ELECTRONIC TAG**

(71) Applicant: **Samsung Electronics Co., Ltd.**,
Suwon-si (KR)

(72) Inventors: **Goangtae Kim**, Suwon-si (KR); **Siyeon Lee**, Suwon-si (KR); **Jinwook Kim**,
Suwon-si (KR)

(73) Assignee: **Samsung Electronics Co., Ltd.**,
Suwon-si (KR)

(**) Term: **15 Years**

(21) Appl. No.: **29/769,285**

(22) Filed: **Feb. 4, 2021**

(30) **Foreign Application Priority Data**

Nov. 19, 2020 (KR) 30-2020-0056221

(51) **LOC (14) Cl.** **10-04**

(52) **U.S. Cl.**
USPC **D10/70; D10/106.9**

(58) **Field of Classification Search**
USPC D9/457, 499, 563; D20/10, 11, 19, 22,
D20/23, 24, 25, 26, 27, 28, 29, 40, 42,
D20/99; D10/70, 104.1, 104.2, 106.9,
D10/106.94

CPC B65D 2203/02; B65D 63/12; B65D 63/14;
B65D 63/06; B65D 63/08; B65D
2203/00; B65D 2255/06; B42D 25/369;
B42D 25/346; B42D 25/26; G09F 3/10;
G09F 3/00; G09F 3/12; G09F 3/18; G09F
3/185; G09F 3/20; G09F 2003/0208;
G09F 3/0288; Y10S 24/11; Y10S
206/813; Y10S 428/914

See application file for complete search history.

(56) **References Cited**

U.S. PATENT DOCUMENTS

D723,957 S * 3/2015 Evans D10/70
D726,037 S * 4/2015 Moeller D10/70

D733,596 S * 7/2015 Goodner D10/70
D748,507 S * 2/2016 Evans D10/70
D790,996 S * 7/2017 Farley D10/70
D801,200 S * 10/2017 Farley D10/70
D817,198 S * 5/2018 Farley D10/70
D817,199 S * 5/2018 Farley D10/70
D819,469 S * 6/2018 Farley D10/70
D859,187 S * 9/2019 Behar D10/70
D866,370 S * 11/2019 Wheaton D10/70
D880,320 S * 4/2020 Behar D10/70
D881,048 S * 4/2020 Wheaton D10/70

(Continued)

OTHER PUBLICATIONS

Samsung galaxy smart tag, posted at androidauthority.com, posted on Jan. 1, 2021, site visited Dec. 15, 2022. online, available from internet: <https://www.androidauthority.com/samsung-galaxy-smart-tag-1189177/> (Year: 2021).*

Primary Examiner — Catherine Ho
(74) *Attorney, Agent, or Firm* — NSIP Law

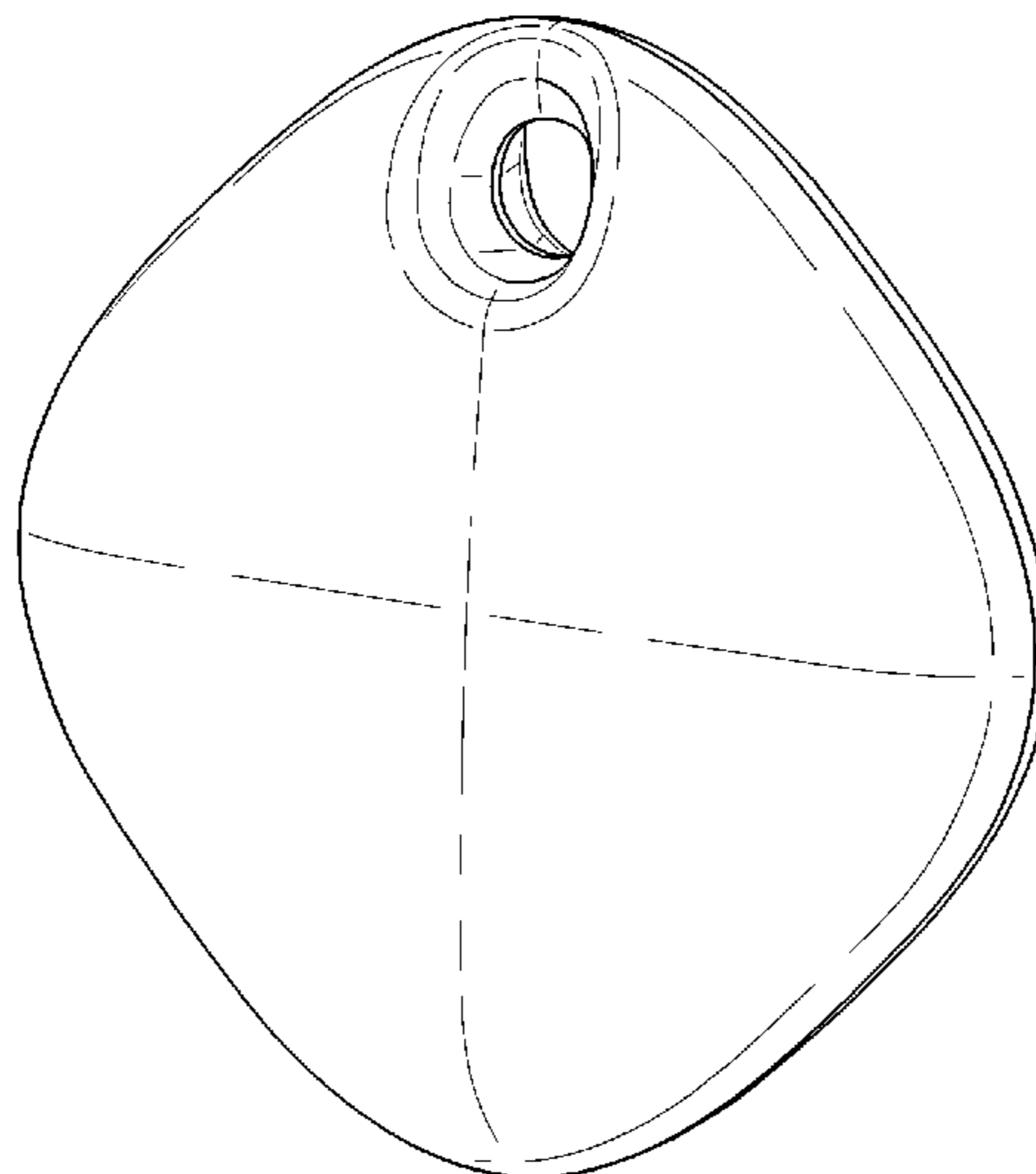
(57) **CLAIM**

We claim the ornamental design for an electronic tag, as shown and described.

DESCRIPTION

FIG. 1 is a front perspective view of an electronic tag showing our new design;
FIG. 2 is a front view thereof;
FIG. 3 is a rear view thereof;
FIG. 4 is a left-side view thereof;
FIG. 5 is a right-side view thereof;
FIG. 6 is a top view thereof;
FIG. 7 is a bottom view thereof; and,
FIG. 8 is a rear perspective view thereof.
The broken lines in the figures depict portions of the electronic tag which form no part of the claimed design.

1 Claim, 4 Drawing Sheets



(56)

References Cited

U.S. PATENT DOCUMENTS

D881,729 S * 4/2020 Wheaton D10/70
D918,072 S * 5/2021 Umair D10/70
D923,496 S * 6/2021 Wheaton D10/70
D935,918 S * 11/2021 Wheaton D10/70
D937,108 S * 11/2021 Wheaton D10/70
D953,905 S * 6/2022 Barovic D10/104.1
D969,633 S * 11/2022 Umair D10/70
D969,635 S * 11/2022 Wheaton D10/70
D969,636 S * 11/2022 Wheaton D10/70
D969,639 S * 11/2022 Wheaton D10/70

* cited by examiner

FIG.1

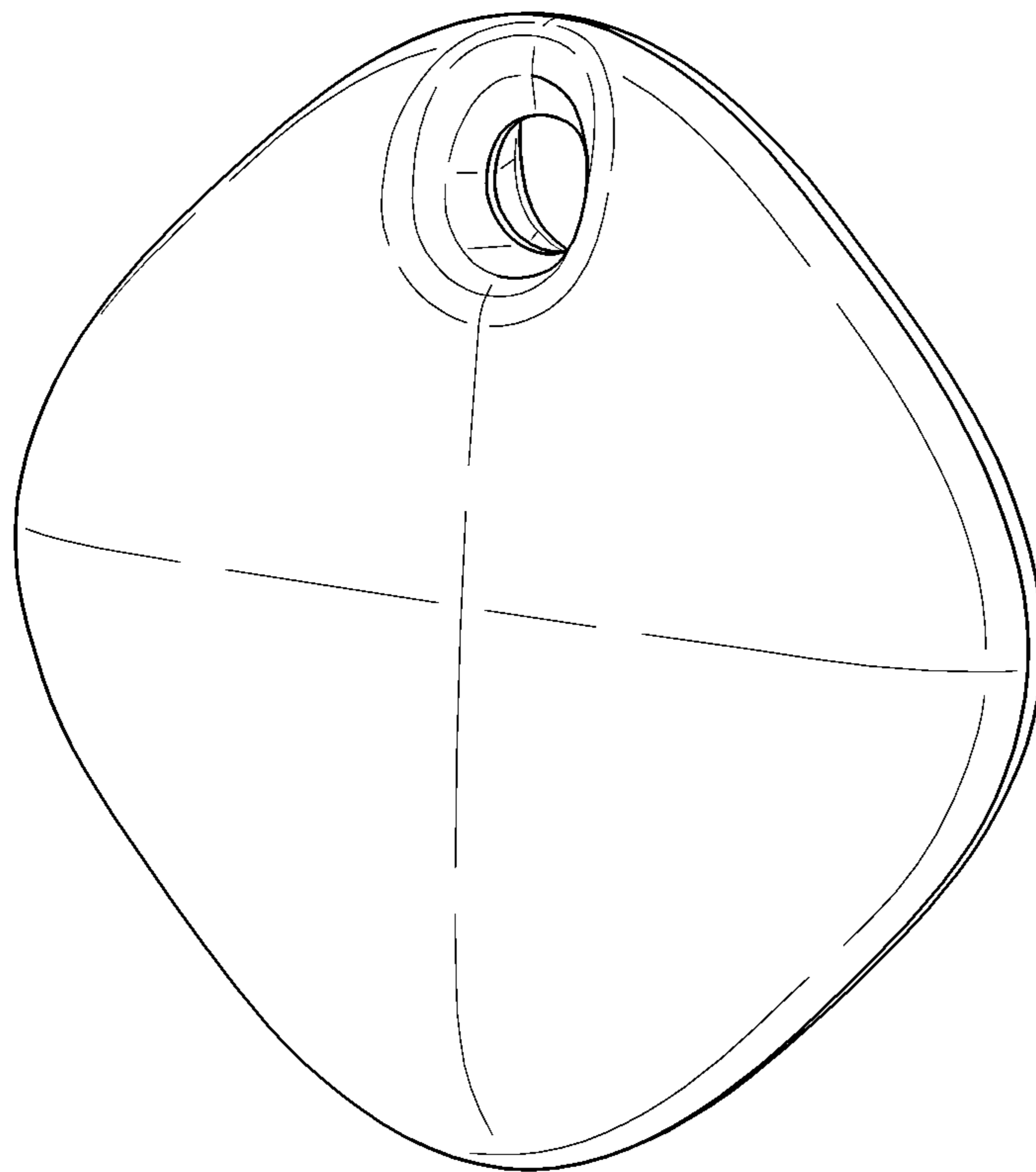


FIG.2

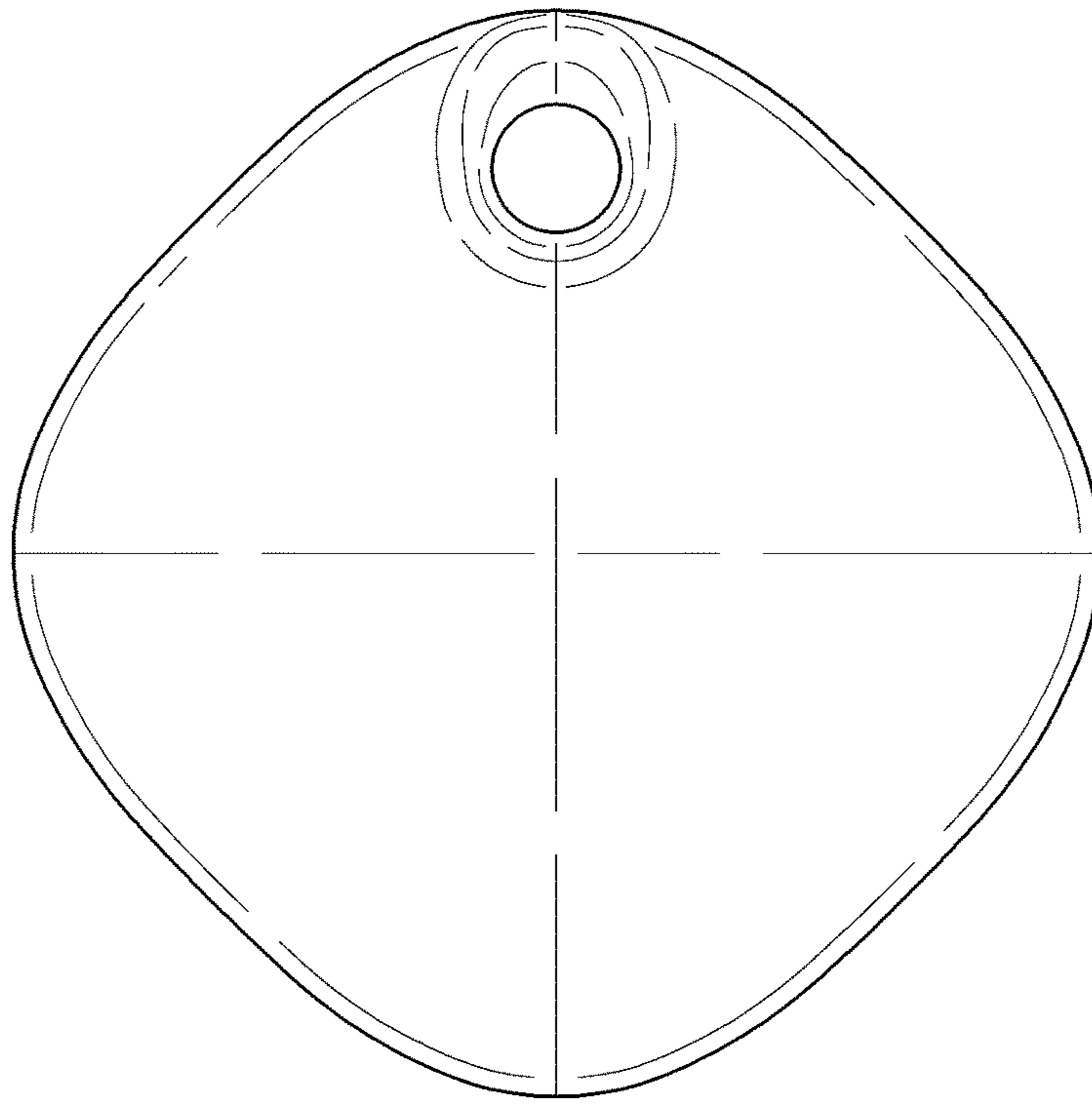


FIG.3

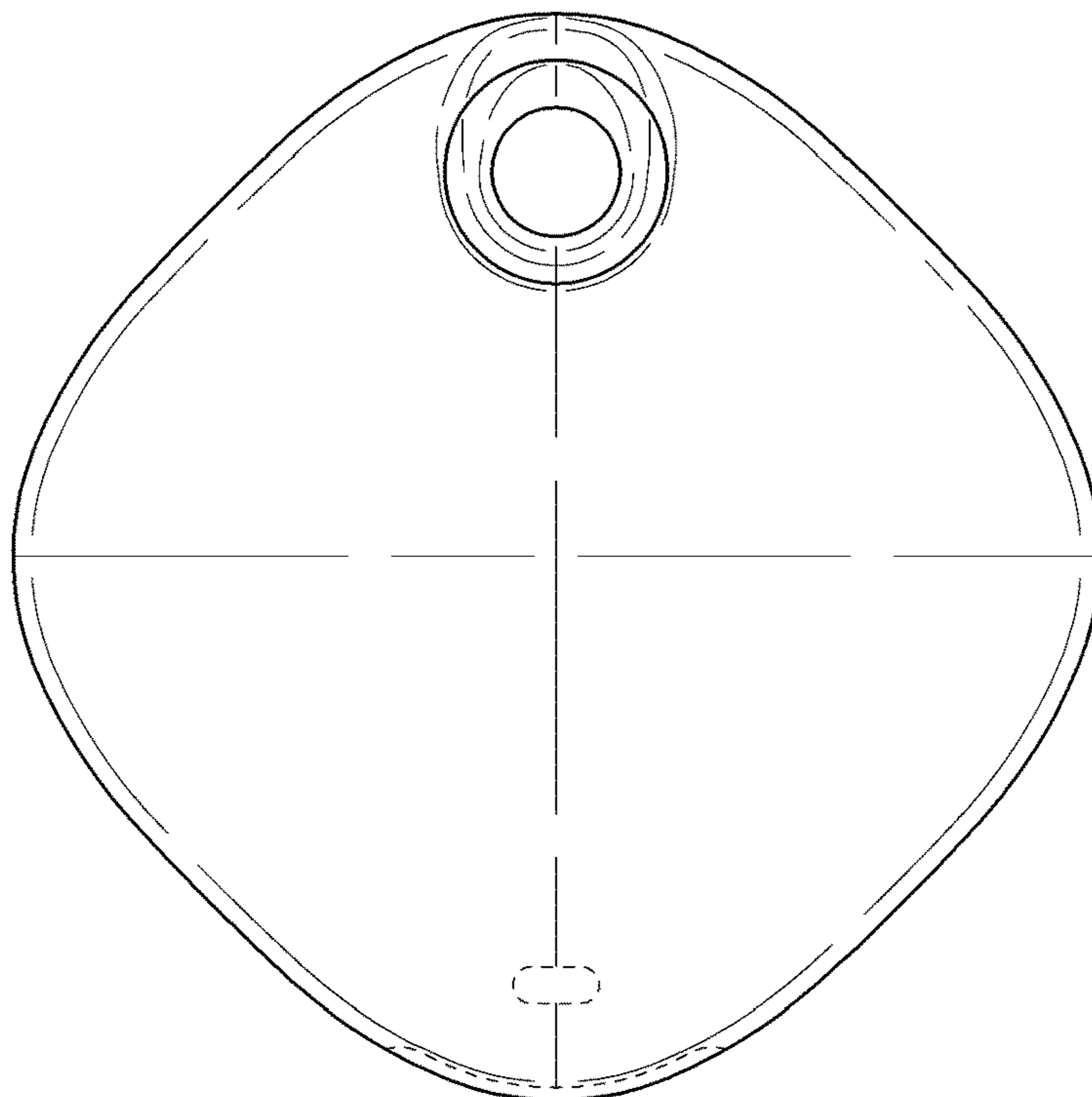


FIG.4

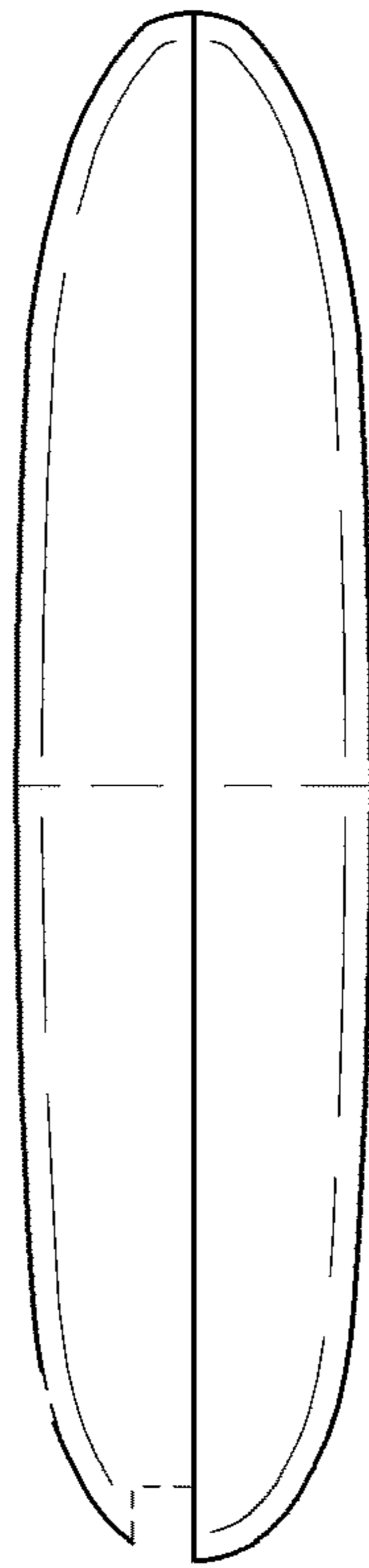


FIG.5

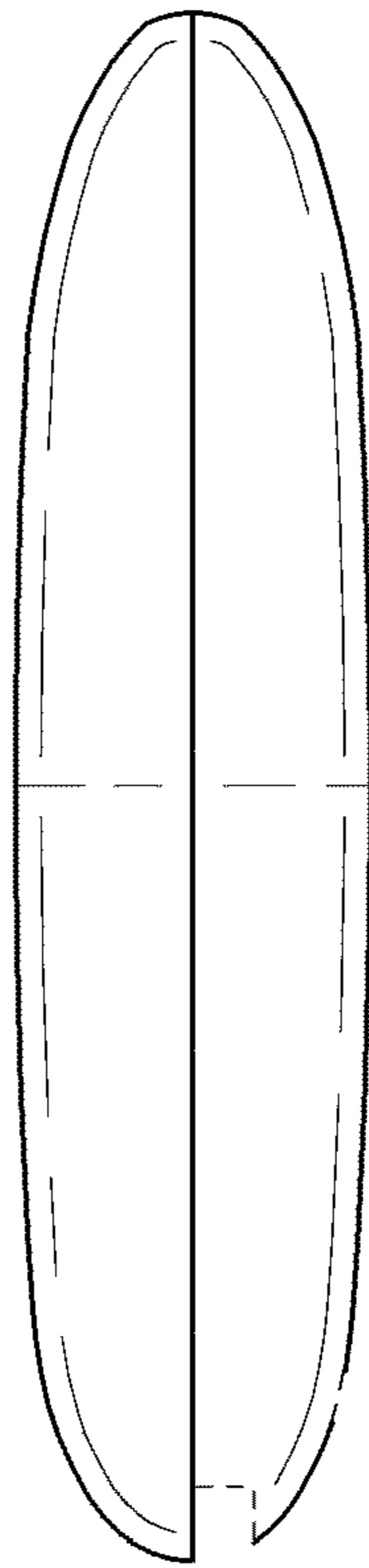


FIG.6

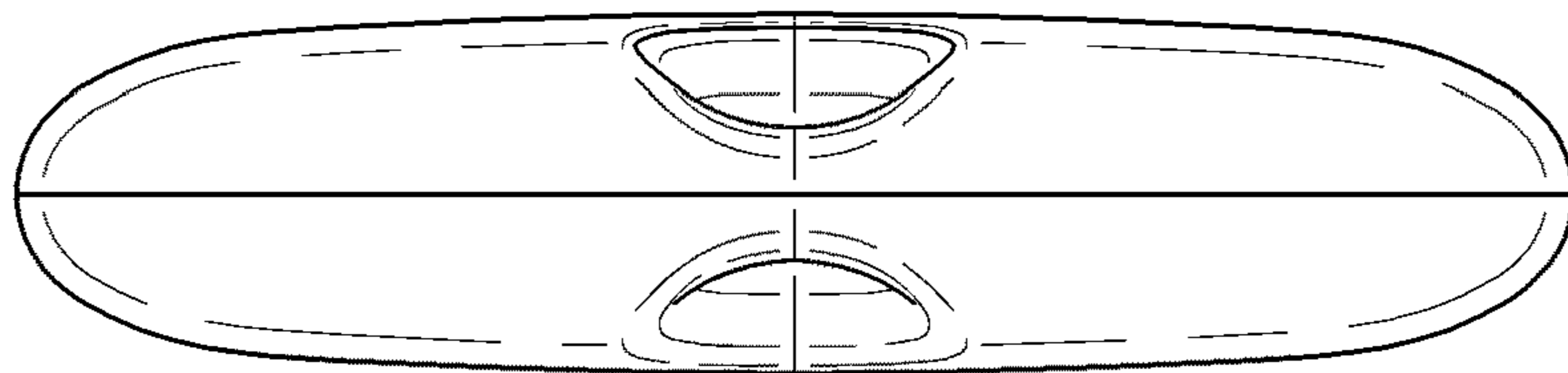


FIG.7

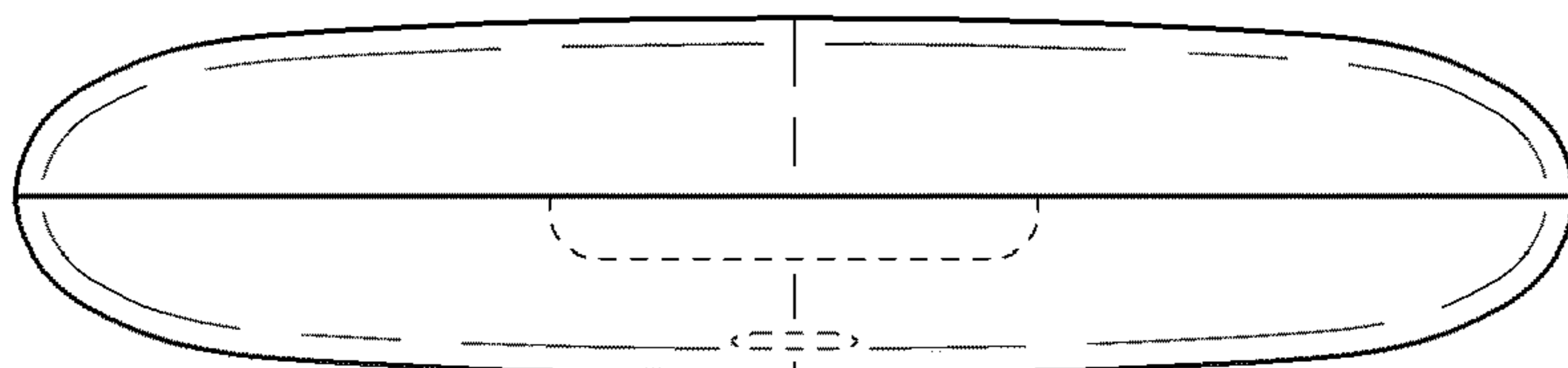


FIG.8

