



US00D986074S

(12) **United States Design Patent**
Ishikawa

(10) **Patent No.:** **US D986,074 S**

(45) **Date of Patent:** **** May 16, 2023**

(54) **THERMOMETER**

(71) Applicant: **A&D COMPANY, LIMITED**, Tokyo
(JP)

(72) Inventor: **Hisashi Ishikawa**, Saitama (JP)

(73) Assignee: **A&D COMPANY, LIMITED**, Tokyo
(JP)

(**) Term: **15 Years**

(21) Appl. No.: **29/811,186**

(22) Filed: **Oct. 12, 2021**

(30) **Foreign Application Priority Data**

May 17, 2021 (JP) 2021-010262

(51) **LOC (14) Cl.** **10-04**

(52) **U.S. Cl.**
USPC **D10/57**

(58) **Field of Classification Search**
USPC D10/49, 50, 51, 52, 53, 56, 57, 81
CPC G01K 1/024; G01K 2207/02
See application file for complete search history.

(56) **References Cited**

U.S. PATENT DOCUMENTS

D571,231 S *	6/2008	Claypool	D10/57
D632,597 S *	2/2011	Marsden	D10/56
D681,487 S *	5/2013	Lee	D10/81
D786,097 S *	5/2017	Stanton	D10/57
D786,716 S *	5/2017	Stanton	D10/57
D868,605 S *	12/2019	Tang	D10/56
D945,285 S *	3/2022	Owen	D10/57

D961,413 S *	8/2022	Yu	D10/53
D968,976 S *	11/2022	Lin	D10/53
D968,987 S *	11/2022	Lin	D10/81
2002/0150144 A1 *	10/2002	Chapman	A47J 37/1266 374/189

* cited by examiner

Primary Examiner — George D. Kirschbaum

Assistant Examiner — Lillian Windham

(74) *Attorney, Agent, or Firm* — Thomas W. Cole;
Calderon Sarfan & Cole P.C.

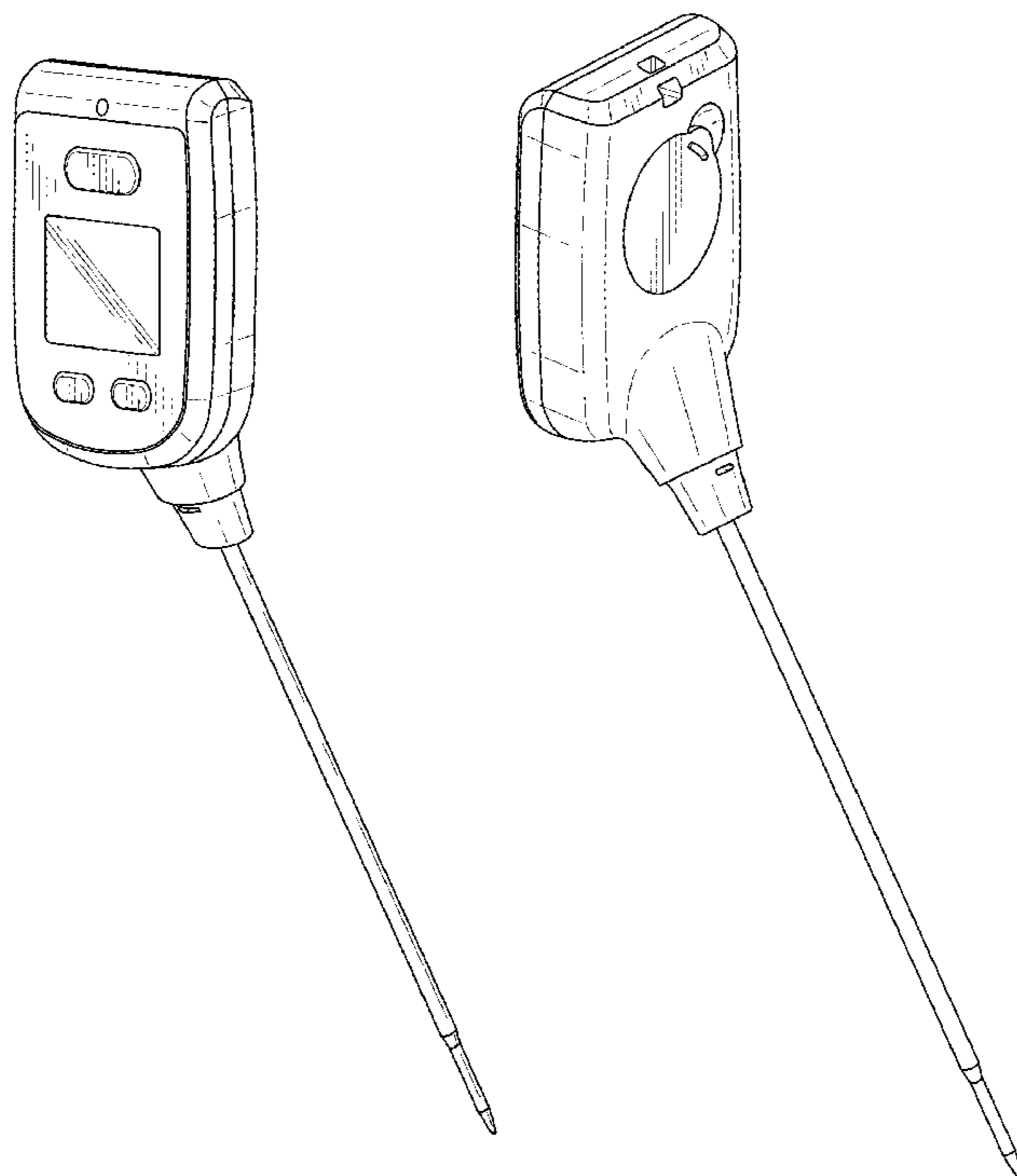
(57) **CLAIM**

The ornamental design for a thermometer, as shown and described.

DESCRIPTION

FIG. 1 is a front perspective view of the ornamental design for a thermometer;
 FIG. 2 is a rear perspective view of the thermometer design shown in FIG. 1;
 FIG. 3 is a front view of the thermometer design shown in FIG. 1;
 FIG. 4 is a rear view of the thermometer design shown in FIG. 1;
 FIG. 5 is a top view of the thermometer design shown in FIG. 1;
 FIG. 6 is a bottom view of the thermometer design shown in FIG. 1;
 FIG. 7 is a right-side view of the thermometer design shown in FIG. 1; and,
 FIG. 8 is a left-side view of the thermometer design shown in FIG. 1.

1 Claim, 4 Drawing Sheets



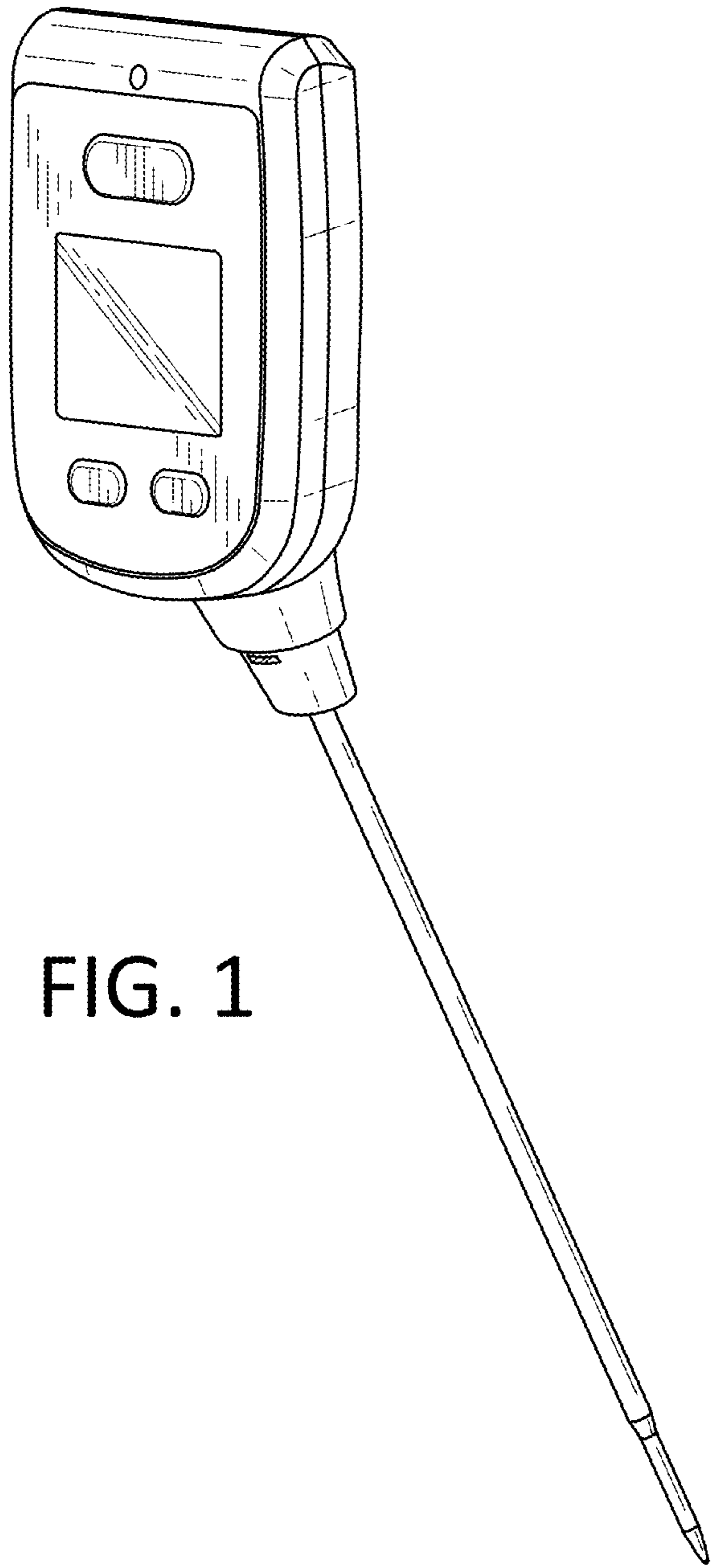


FIG. 1

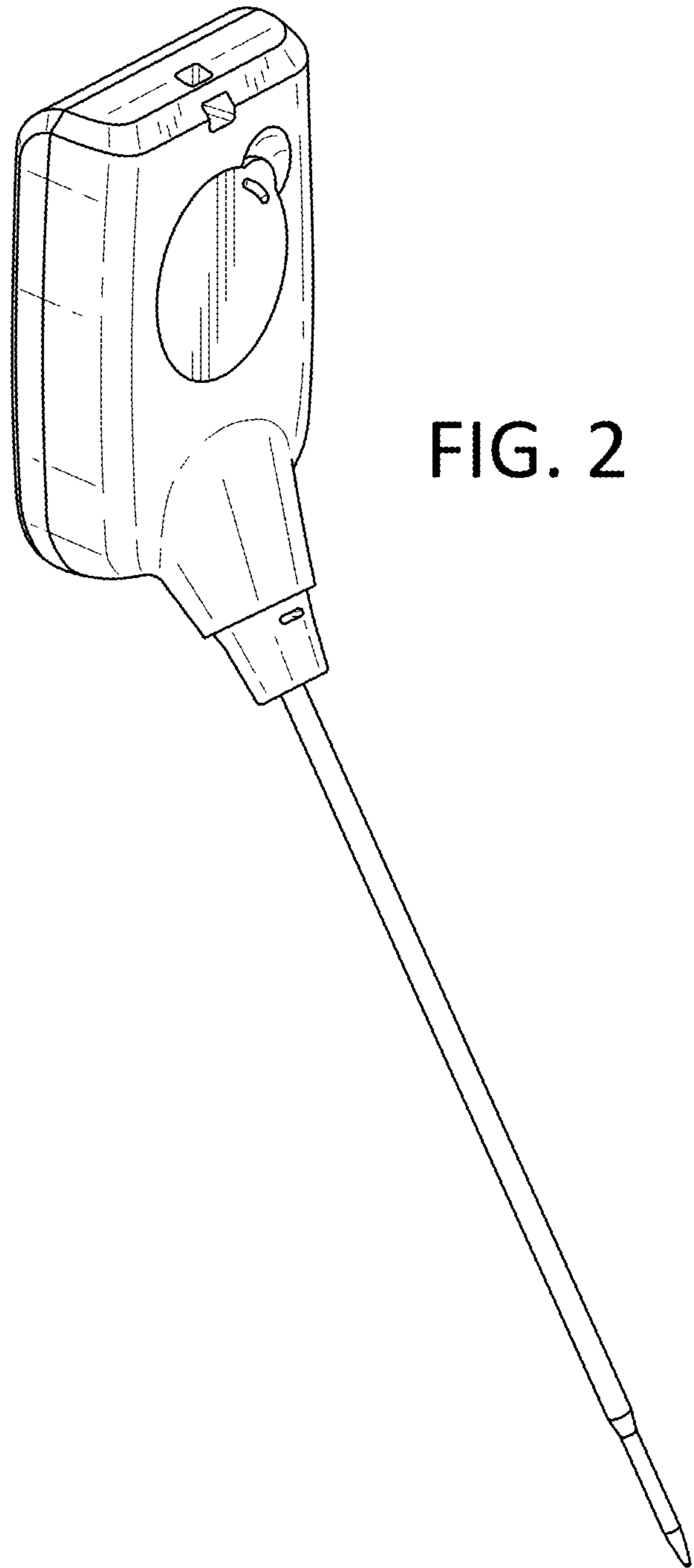


FIG. 2

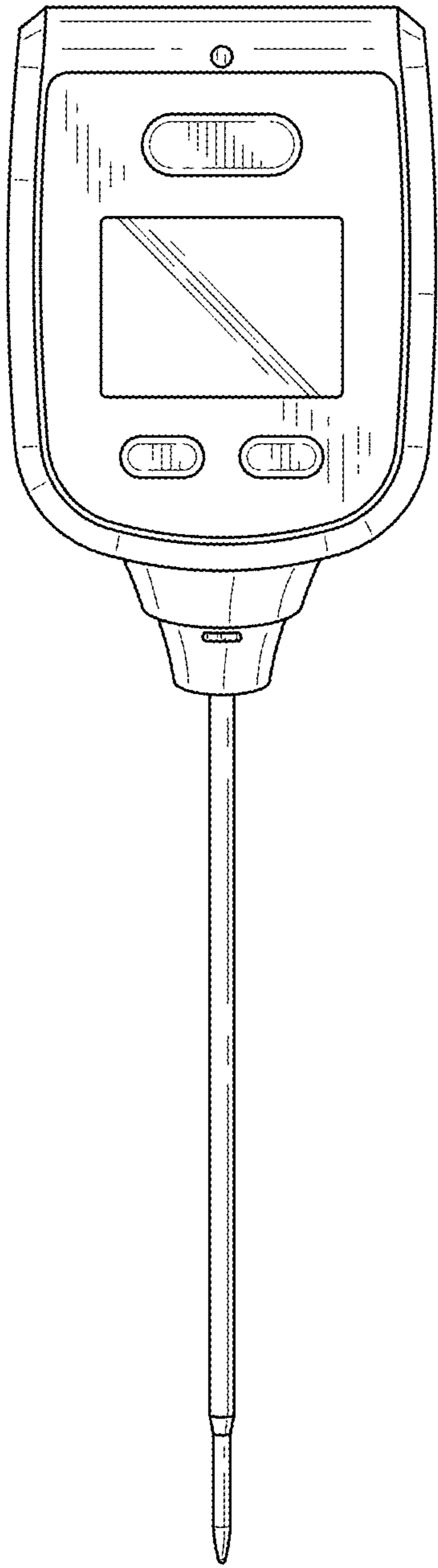


FIG. 3

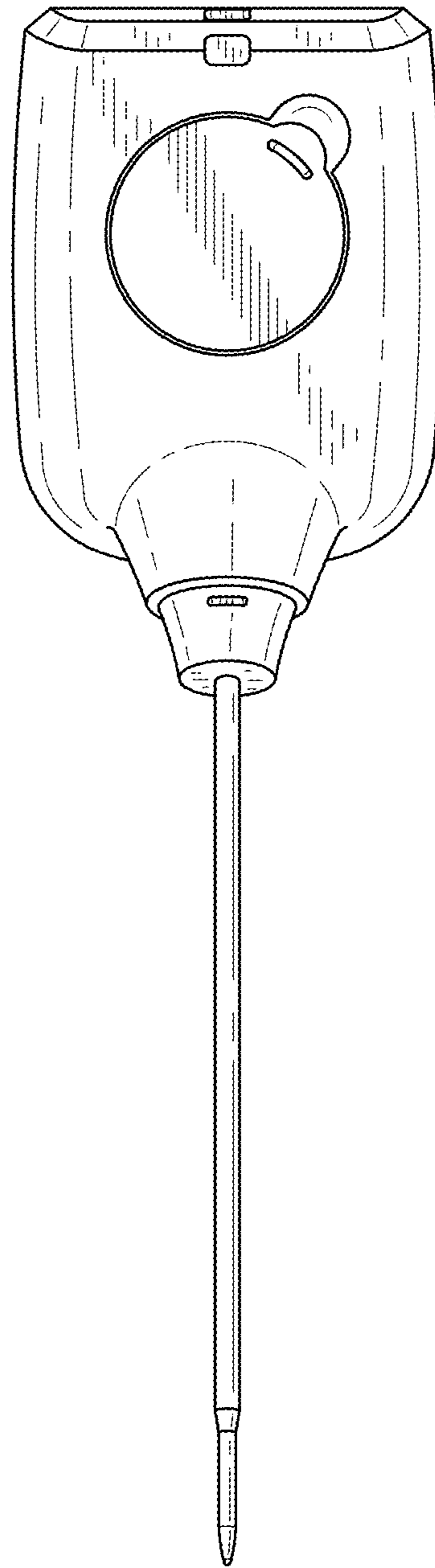


FIG. 4

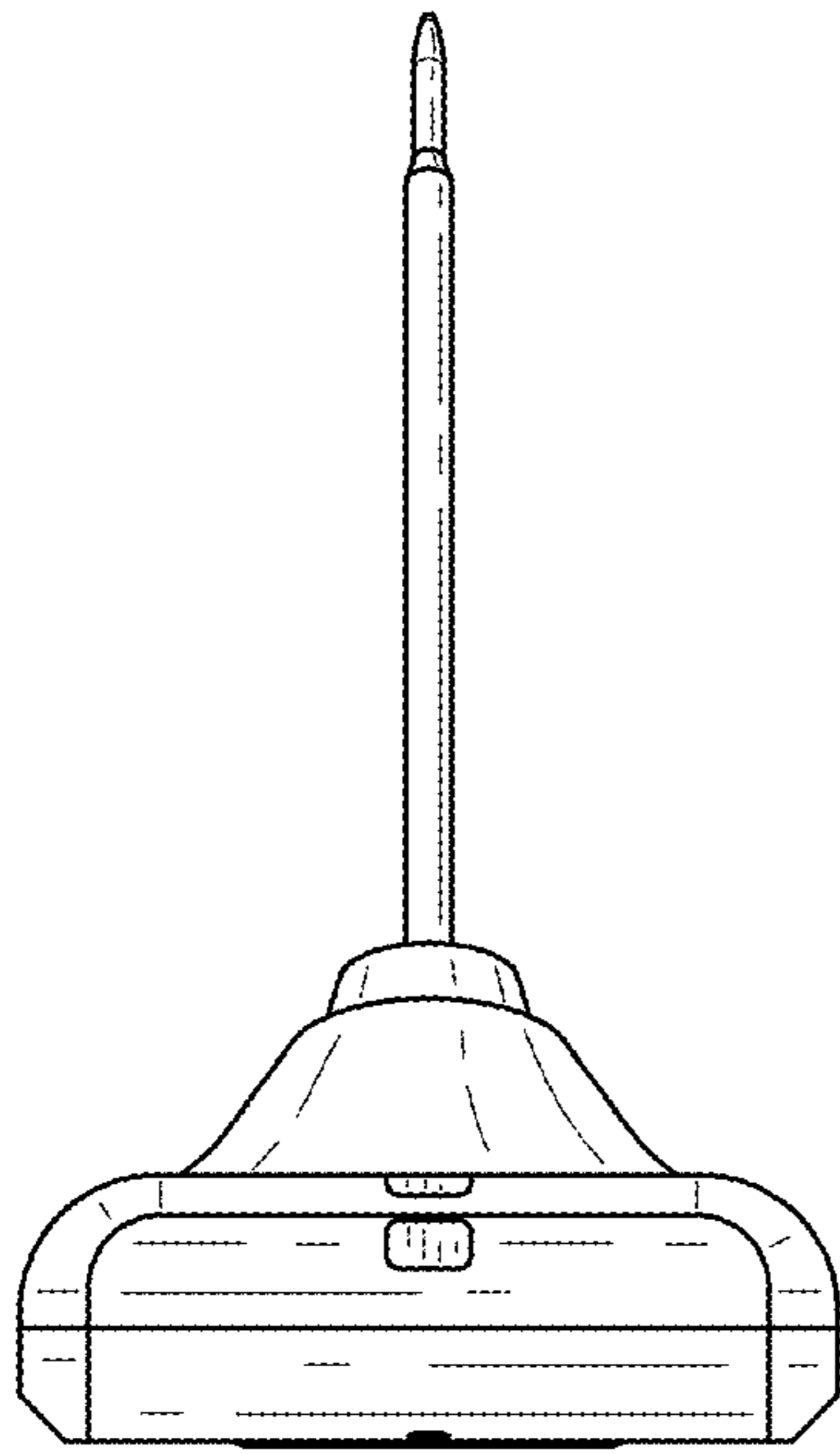


FIG. 5

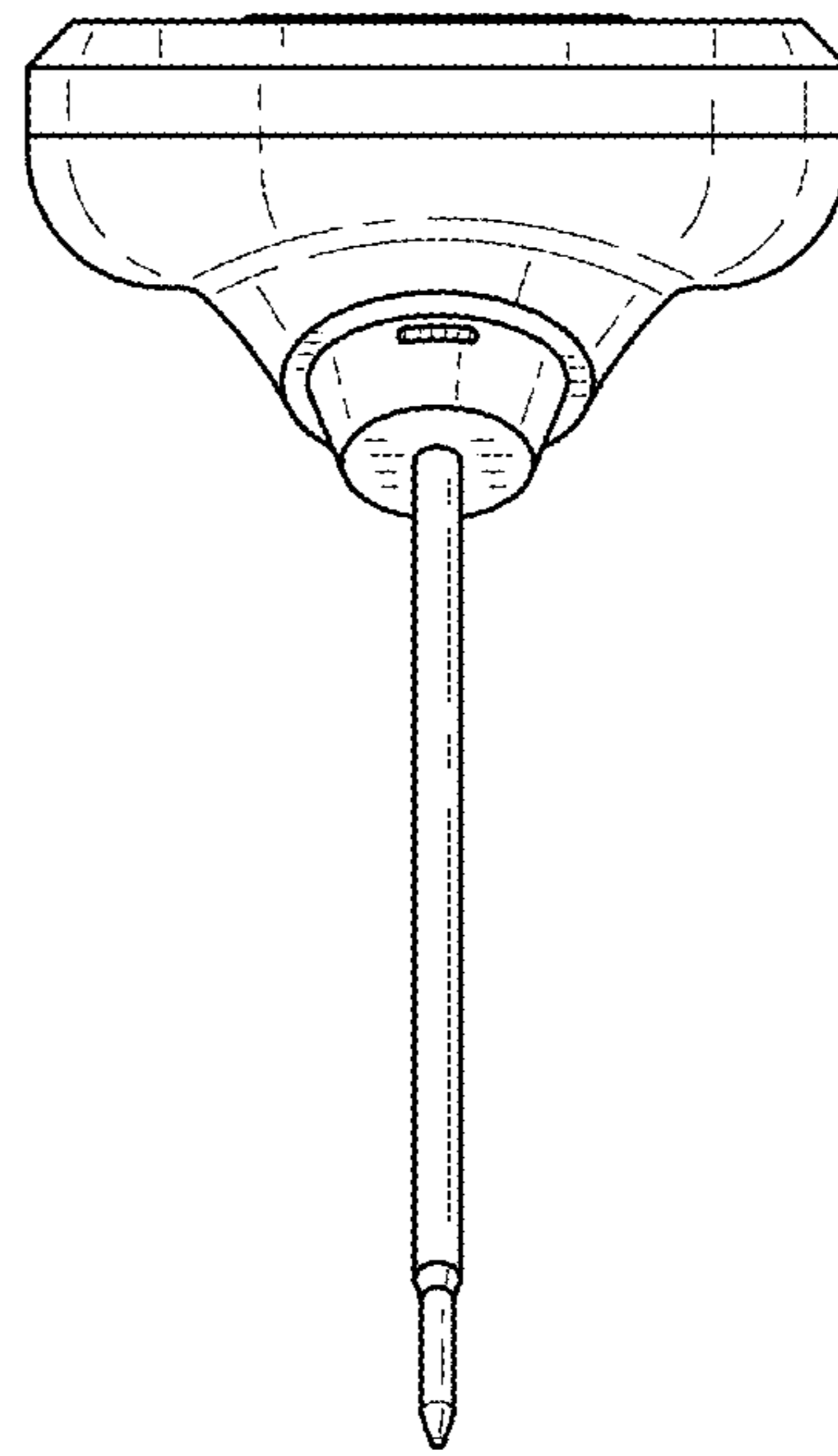


FIG. 6

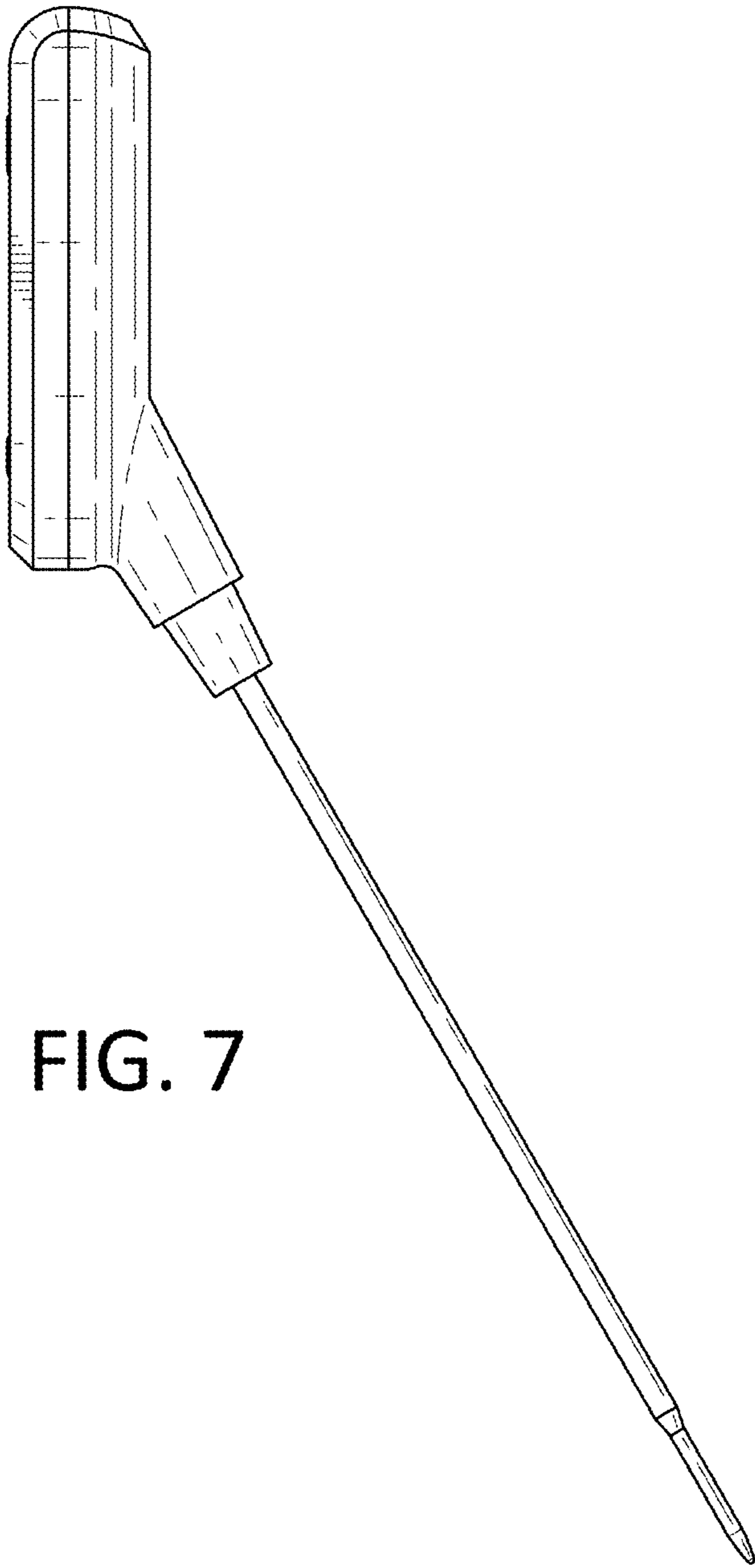


FIG. 7

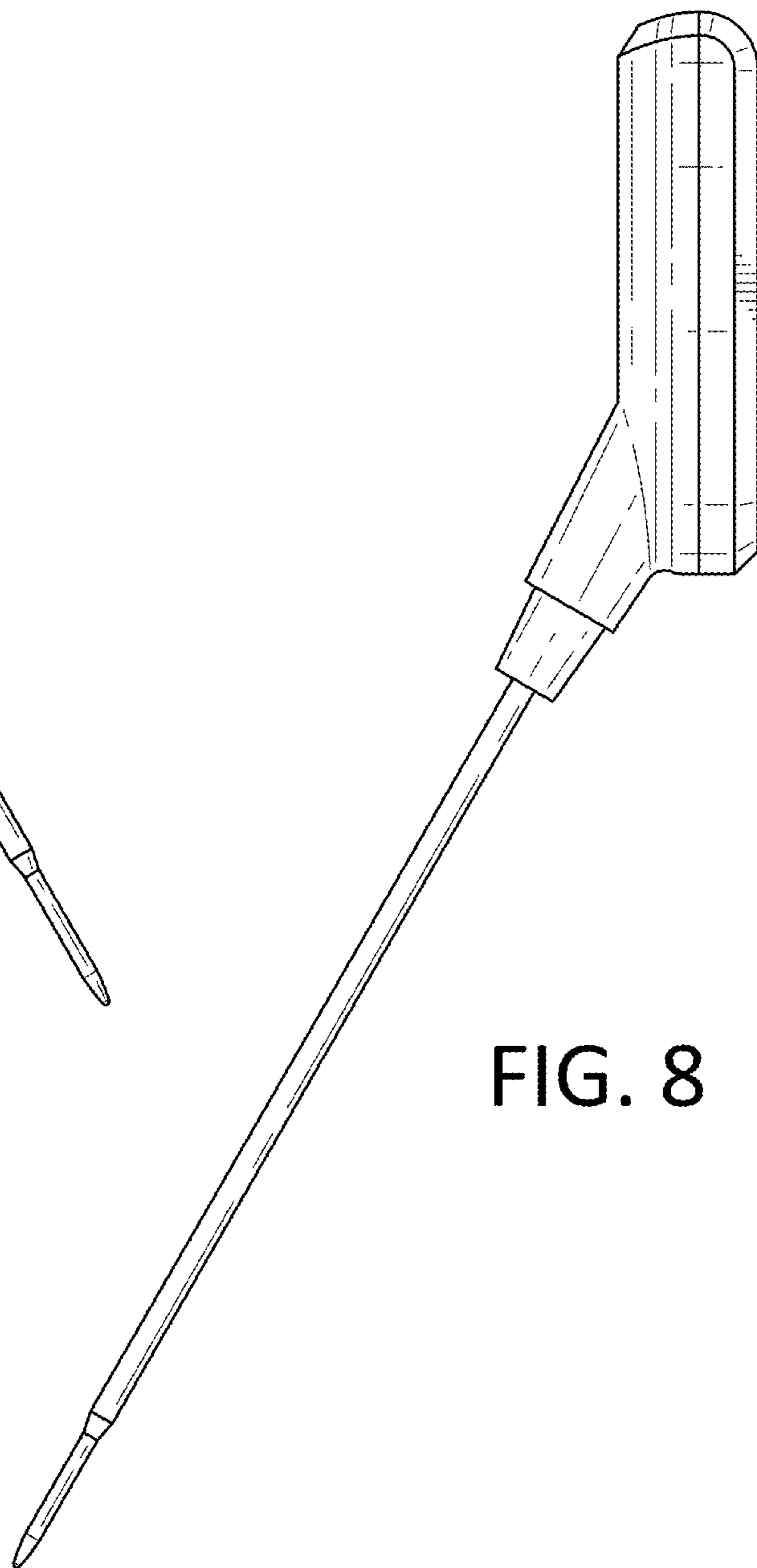


FIG. 8