



US00D986071S

(12) **United States Design Patent**
Huang

(10) **Patent No.:** **US D986,071 S**

(45) **Date of Patent:** **** May 16, 2023**

(54) **2-ZONE WIRELESS CONTROL WATER
TIMER**

(71) Applicant: **FUJIAN BALDR TECHNOLOGY
CO., LTD.**, Fujian (CN)

(72) Inventor: **Zhong Dong Huang**, Fujian (CN)

(73) Assignee: **Fujian Baldr Technology Co., Ltd.**,
Fuzhou (CN)

(**) Term: **15 Years**

(21) Appl. No.: **29/779,167**

(22) Filed: **Apr. 16, 2021**

(51) **LOC (14) Cl.** **10-03**

(52) **U.S. Cl.**
USPC **D10/40**

(58) **Field of Classification Search**
USPC D10/40, 85, 96, 97, 99, 101, 102, 103;
D13/162; D23/206, 233, 244, 245
CPC . G01F 25/10; G01F 15/14; G01F 1/58; G01F
1/8409; G01F 1/00; G01F 1/3218; G01F
1/26; G01F 23/14; G01F 25/0092; A01G
25/165

See application file for complete search history.

(56) **References Cited**

U.S. PATENT DOCUMENTS

D415,440 S * 10/1999 Beadsworth D10/99
D477,287 S * 7/2003 Roman D13/162
D643,755 S * 8/2011 Nies D10/40
D657,263 S * 4/2012 Nies D10/40
D679,260 S * 4/2013 Franchini D13/162.1

D702,566 S * 4/2014 Chandran D23/245
D722,895 S * 2/2015 Chandran D10/40
D764,950 S * 8/2016 Cheng D10/40
D764,951 S * 8/2016 Cheng D10/40
D769,742 S * 10/2016 Cheng D10/40
D770,918 S * 11/2016 Cheng D10/40
D772,083 S * 11/2016 Cheng D10/40
D924,700 S * 7/2021 Xu D10/40
D925,003 S * 7/2021 Ellis D23/233
D965,446 S * 10/2022 Chen D10/40
2014/0229024 A1 * 8/2014 Wang A01G 25/165
700/284
2016/0282833 A1 * 9/2016 Wang G05B 19/108

* cited by examiner

Primary Examiner — George D. Kirschbaum

Assistant Examiner — Lillian Windham

(74) *Attorney, Agent, or Firm* — Bay State IP, LLC

(57) **CLAIM**

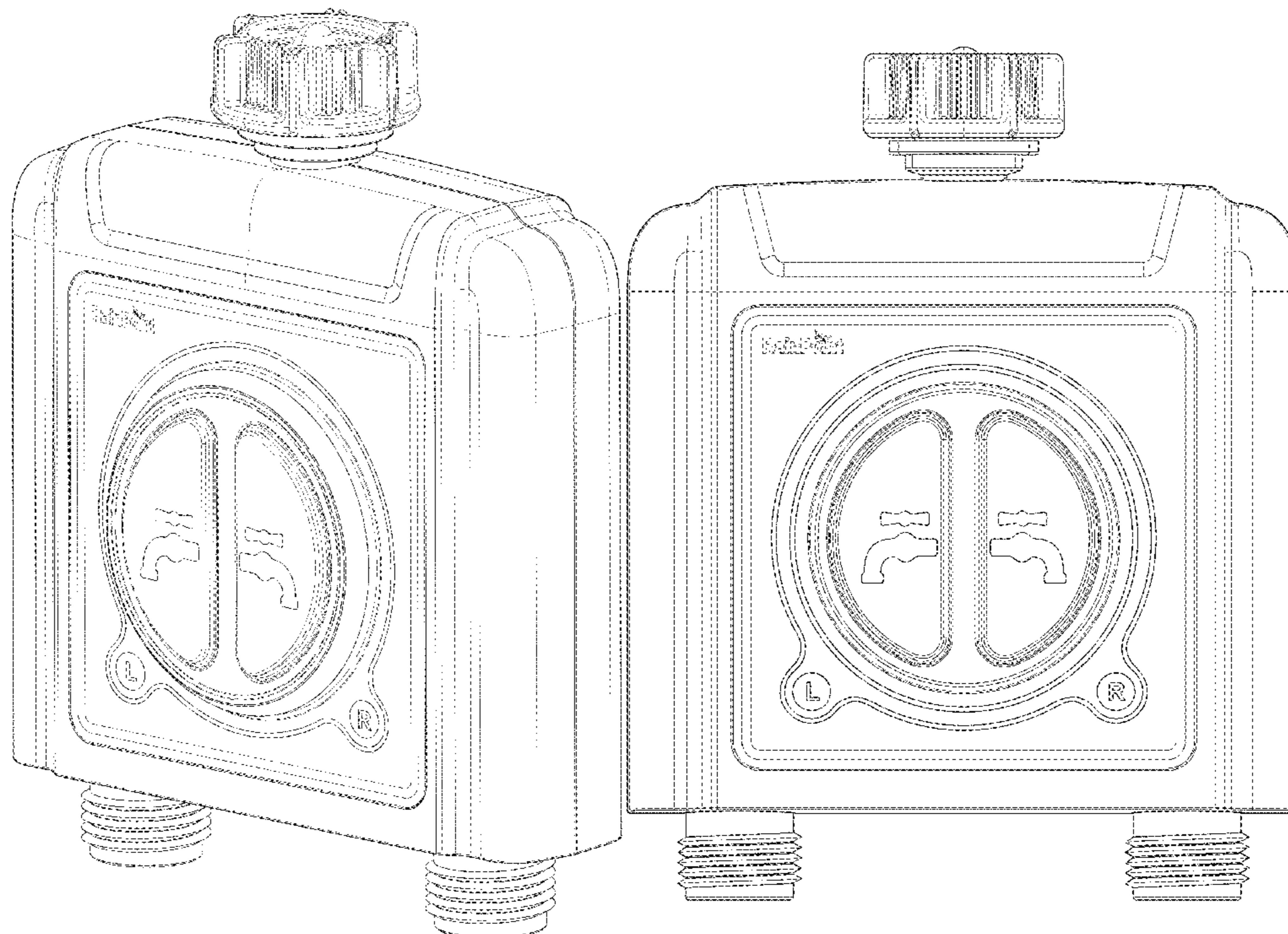
The ornamental design for a 2-zone wireless control water timer, as shown and described.

DESCRIPTION

FIG. 1 is a perspective view of a 2-zone wireless control water timer showing my new design;
FIG. 2 is a front view thereof;
FIG. 3 is a left side view thereof;
FIG. 4 is a right side view thereof;
FIG. 5 is a back view thereof;
FIG. 6 is a top view thereof; and,
FIG. 7 is a bottom view thereof.

The broken lines illustrate portions of the 2-zone wireless control water timer that form no part of the claimed design.

1 Claim, 7 Drawing Sheets



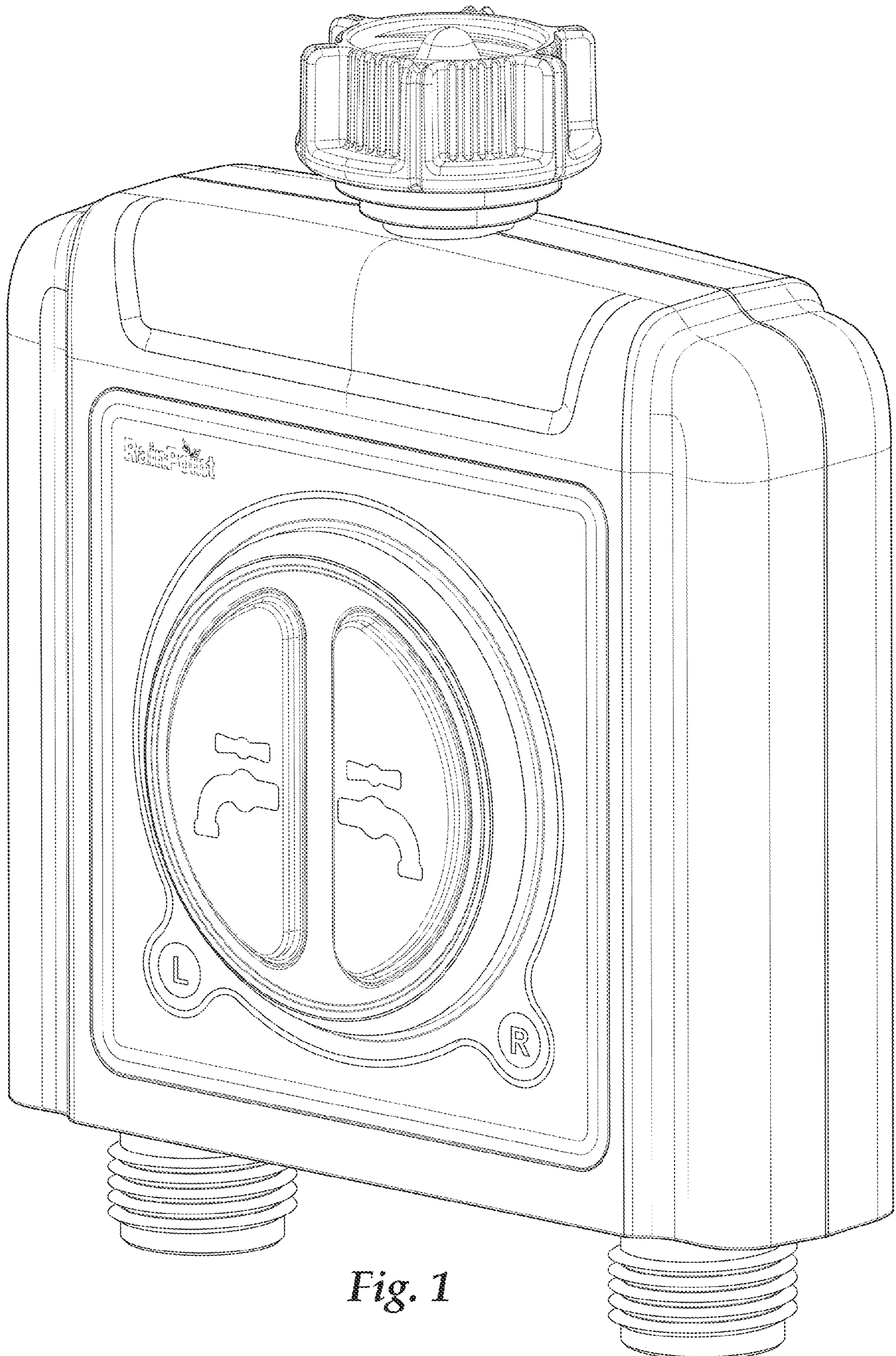


Fig. 1

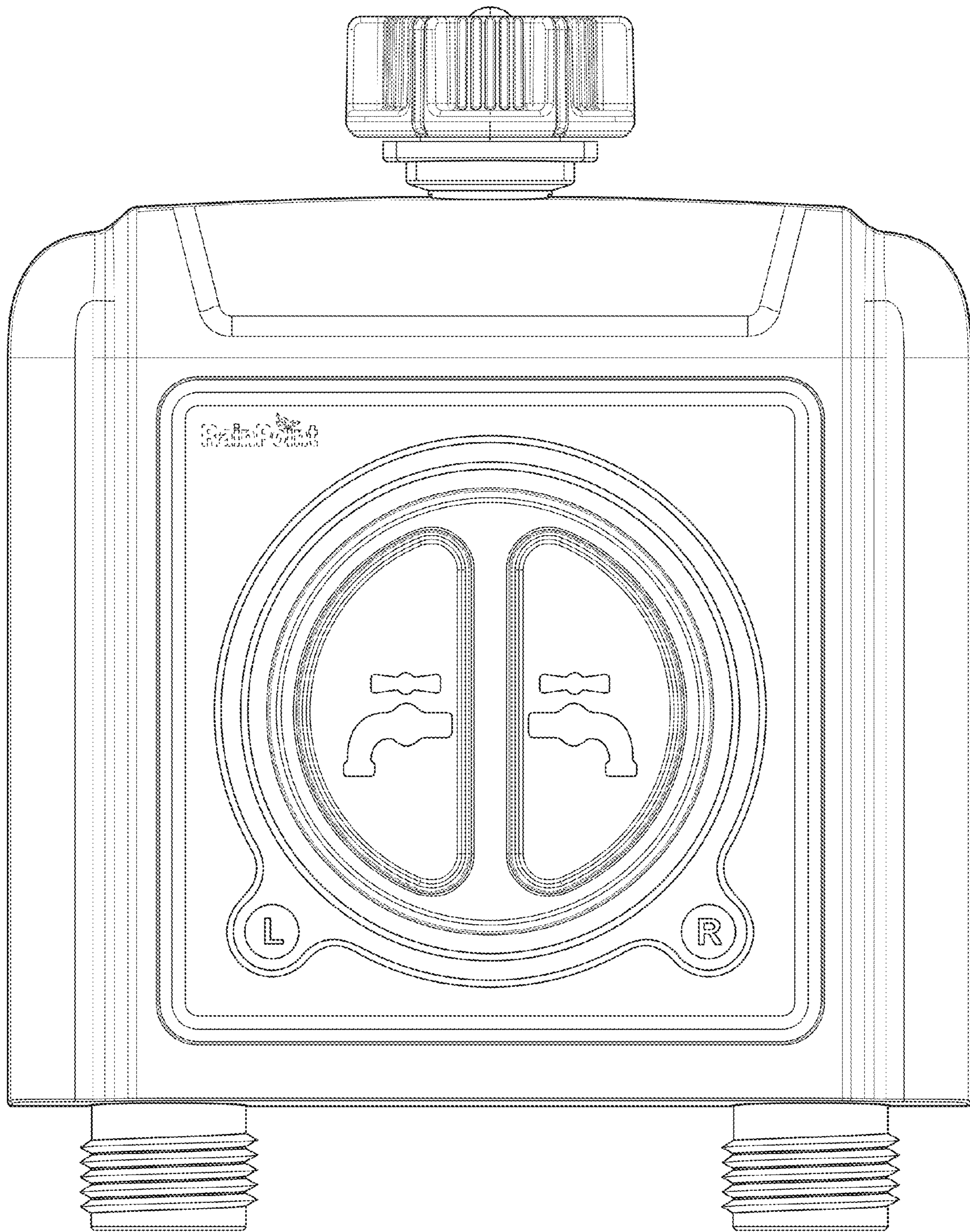


Fig. 2

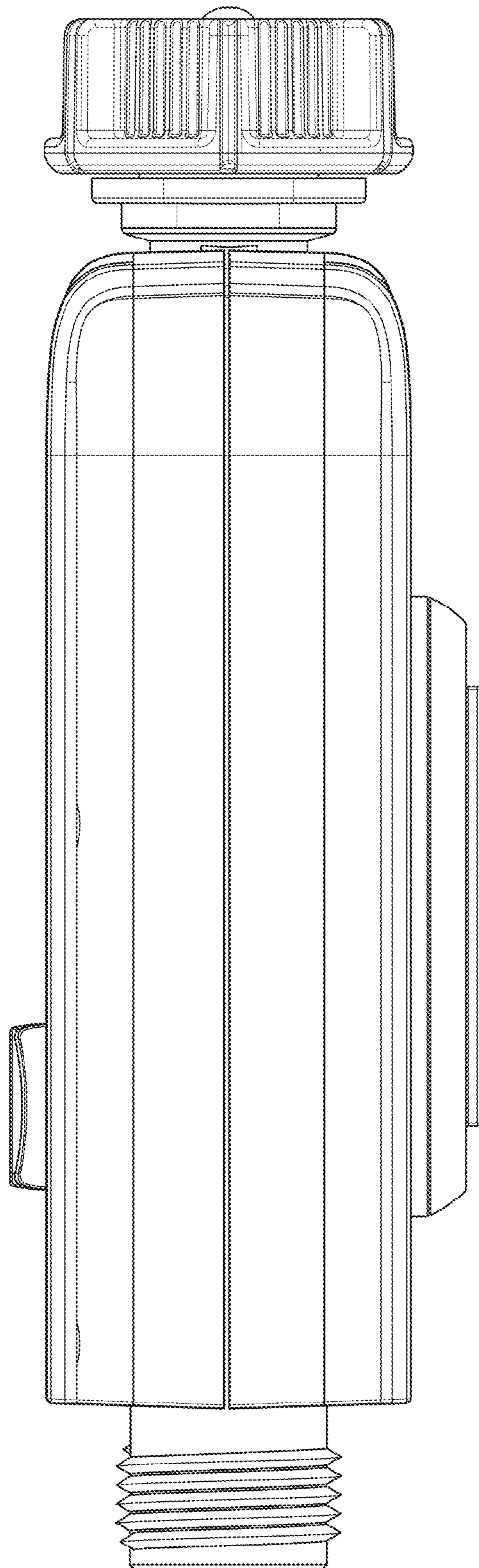


Fig. 3

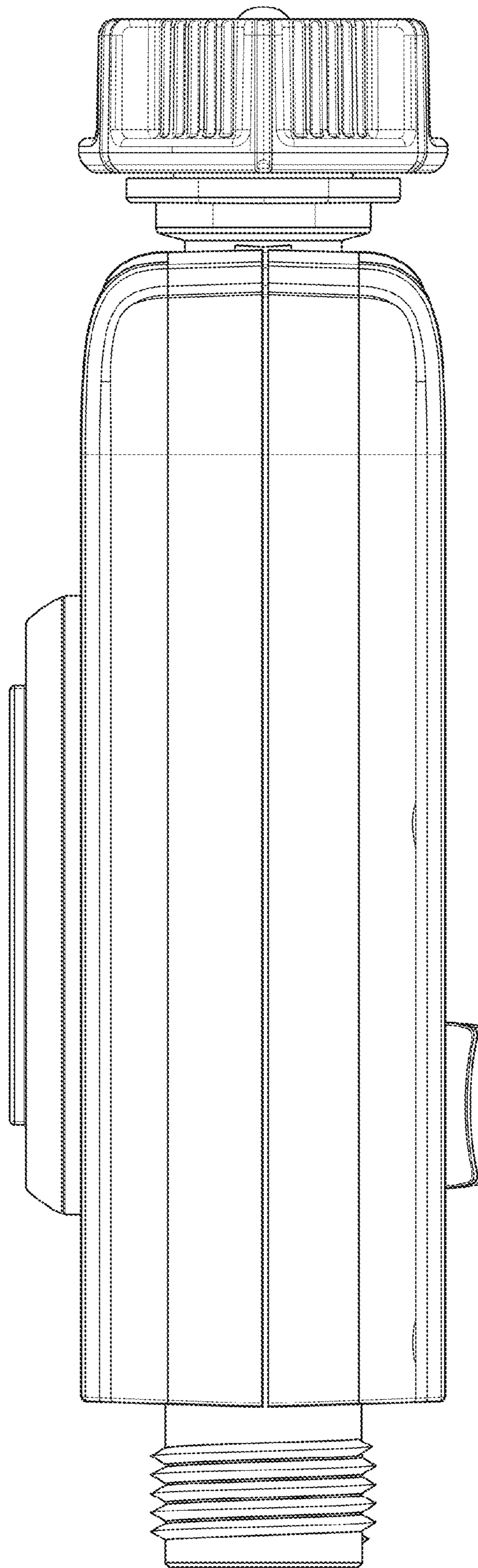


Fig. 4

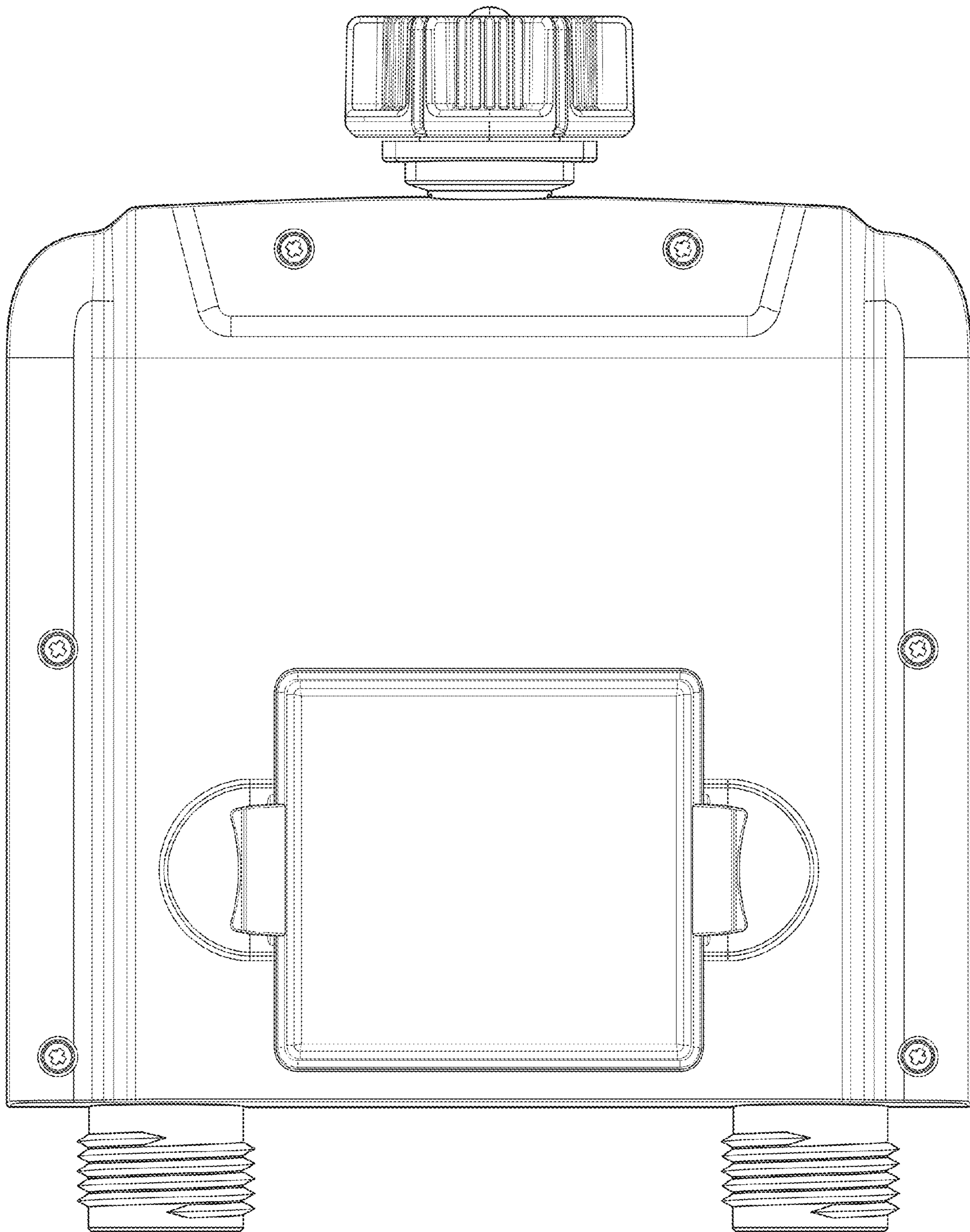


Fig. 5

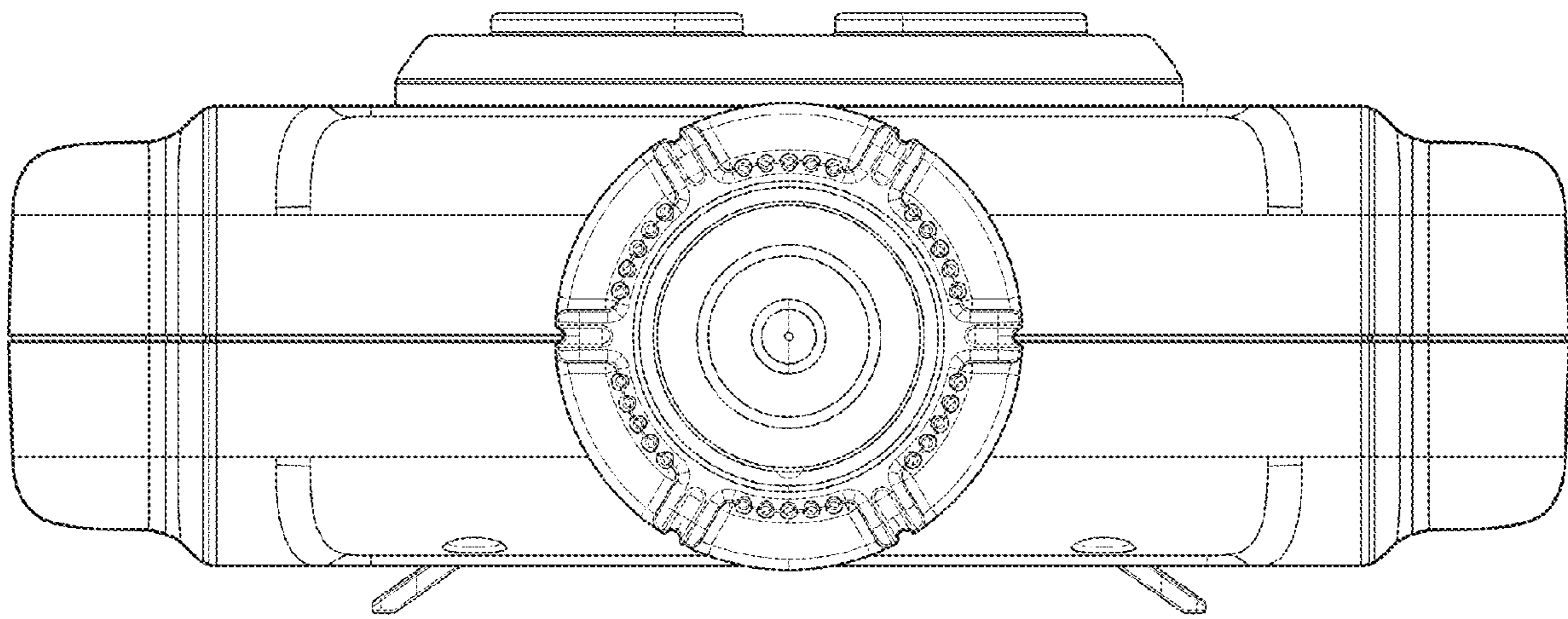


Fig. 6

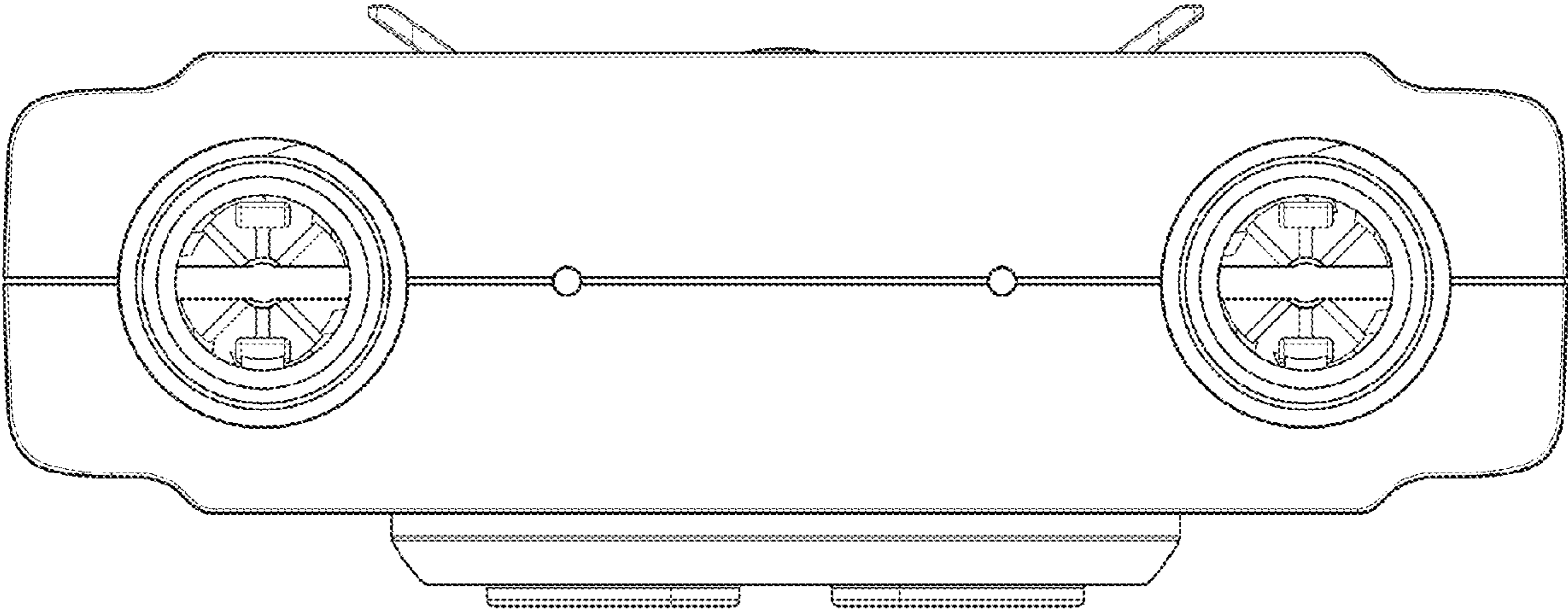


Fig. 7