



US00D986069S

(12) **United States Design Patent**
Aoki et al.

(10) **Patent No.:** **US D986,069 S**

(45) **Date of Patent:** **** May 16, 2023**

(54) **WATCH CASE**

(71) Applicant: **CASIO KEISANKI KABUSHIKI KAISHA**, Tokyo (JP)

(72) Inventors: **Yumena Aoki**, Tokyo (JP); **Hideki Watanabe**, Kanagawa (JP)

(73) Assignee: **CASIO KEISANKI KABUSHIKI KAISHA**, Tokyo (JP)

(**) Term: **15 Years**

(21) Appl. No.: **29/755,006**

(22) Filed: **Oct. 16, 2020**

(30) **Foreign Application Priority Data**

Apr. 24, 2020 (CN) 202030173763.2

(51) **LOC (14) Cl.** **10-02**

(52) **U.S. Cl.**
USPC **D10/30**

(58) **Field of Classification Search**
USPC D10/30-39, 128
CPC G04B 37/0008; G04B 37/005; G04B 37/0058; G04B 37/12; G04B 37/1486; G04B 45/00; G04B 45/0069; G04B 45/0076

See application file for complete search history.

(56) **References Cited**

U.S. PATENT DOCUMENTS

D525,882 S * 8/2006 Yamamoto D10/38
D619,909 S * 7/2010 Moriai D10/39
D781,159 S * 3/2017 Goto D10/38
D817,193 S * 5/2018 Kojima D10/39

10,871,750 B2 * 12/2020 Hasegawa G01C 21/26
D913,812 S * 3/2021 Horii D10/39
D927,326 S * 8/2021 Hashimoto D10/38
D936,051 S * 11/2021 Yamamoto D14/344

OTHER PUBLICATIONS

Hands-on Casio G-Shock Power Trainer GBA900 Series | ablogtwatch.com; published Aug. 22, 2021 [online]. © 2007-2023. aBlogtoWatch [retrieved Mar. 10, 2023] from Internet: <https://www.ablogtwatch.com/hands-on-casio-g-shock-power-trainer-gba900-watches (Year: 2021).*

* cited by examiner

Primary Examiner — Katherine Glennon

(74) *Attorney, Agent, or Firm* — Holtz, Holtz & Volek PC

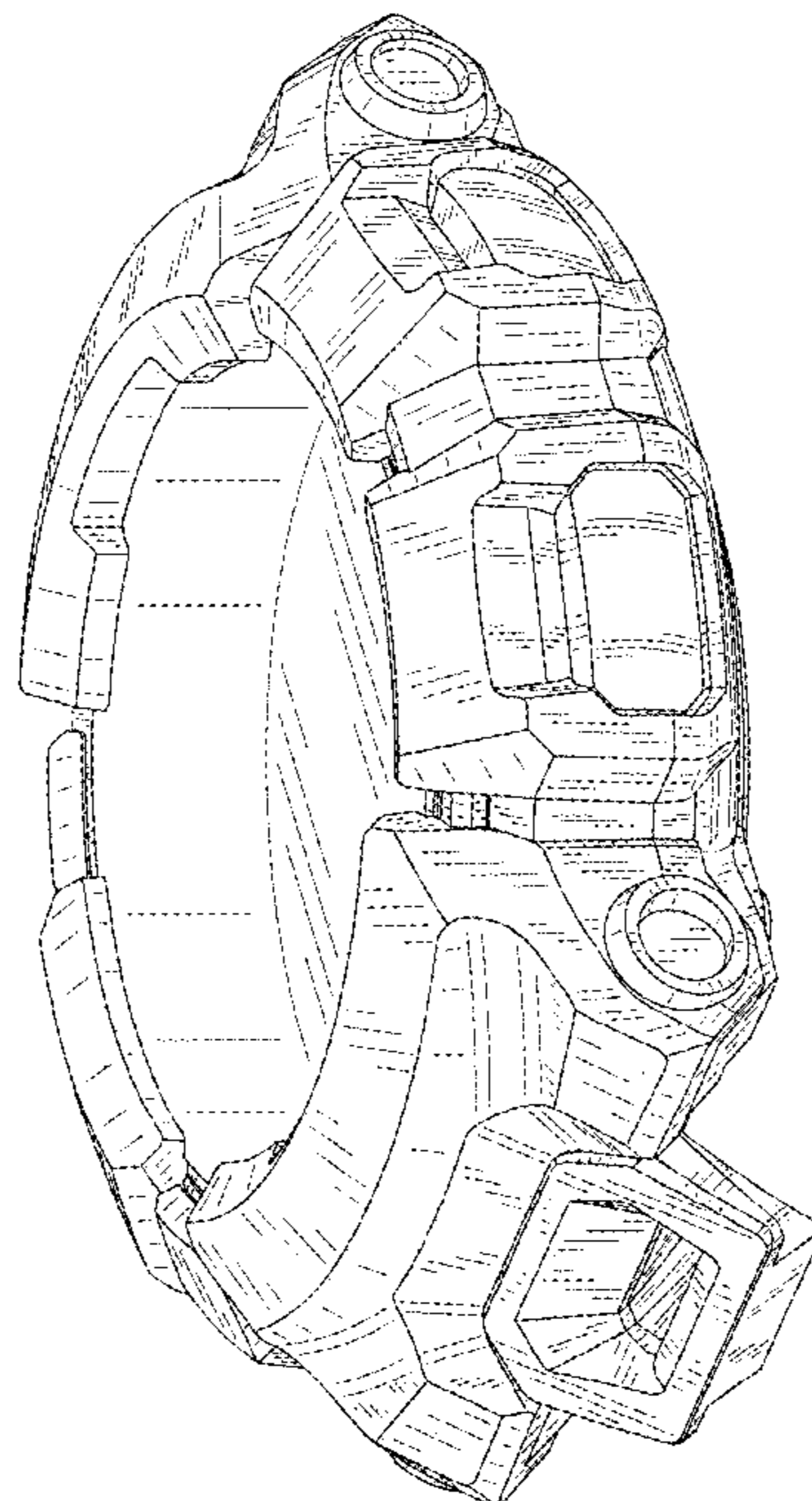
(57) **CLAIM**

The ornamental design for a watch case, as shown and described.

DESCRIPTION

FIG. 1 is a reduced-scale front, right side, bottom perspective view of a watch case showing our new design; FIG. 2 is front elevational view thereof; FIG. 3 is a rear elevational view thereof; FIG. 4 is a left side view thereof; FIG. 5 is a right side view thereof; FIG. 6 is a top plan view thereof; FIG. 7 is a bottom plan view thereof; and, FIG. 8 is a reference reduced-scale front elevational view thereof, with a watchband attached. The broken lines are included for the purpose of illustrating the environmental structure and form no part of the claimed design.

1 Claim, 7 Drawing Sheets



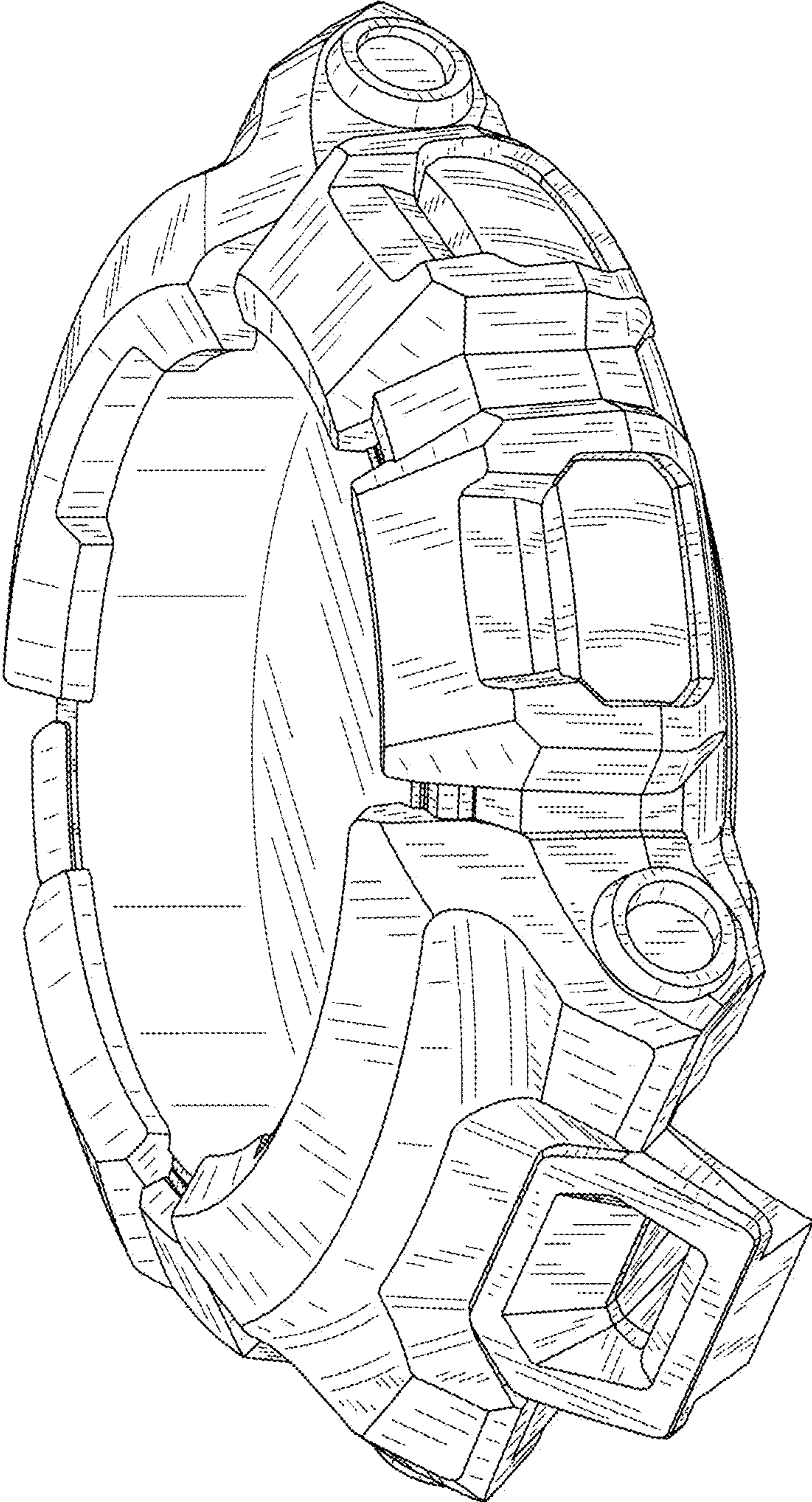


FIG. 1

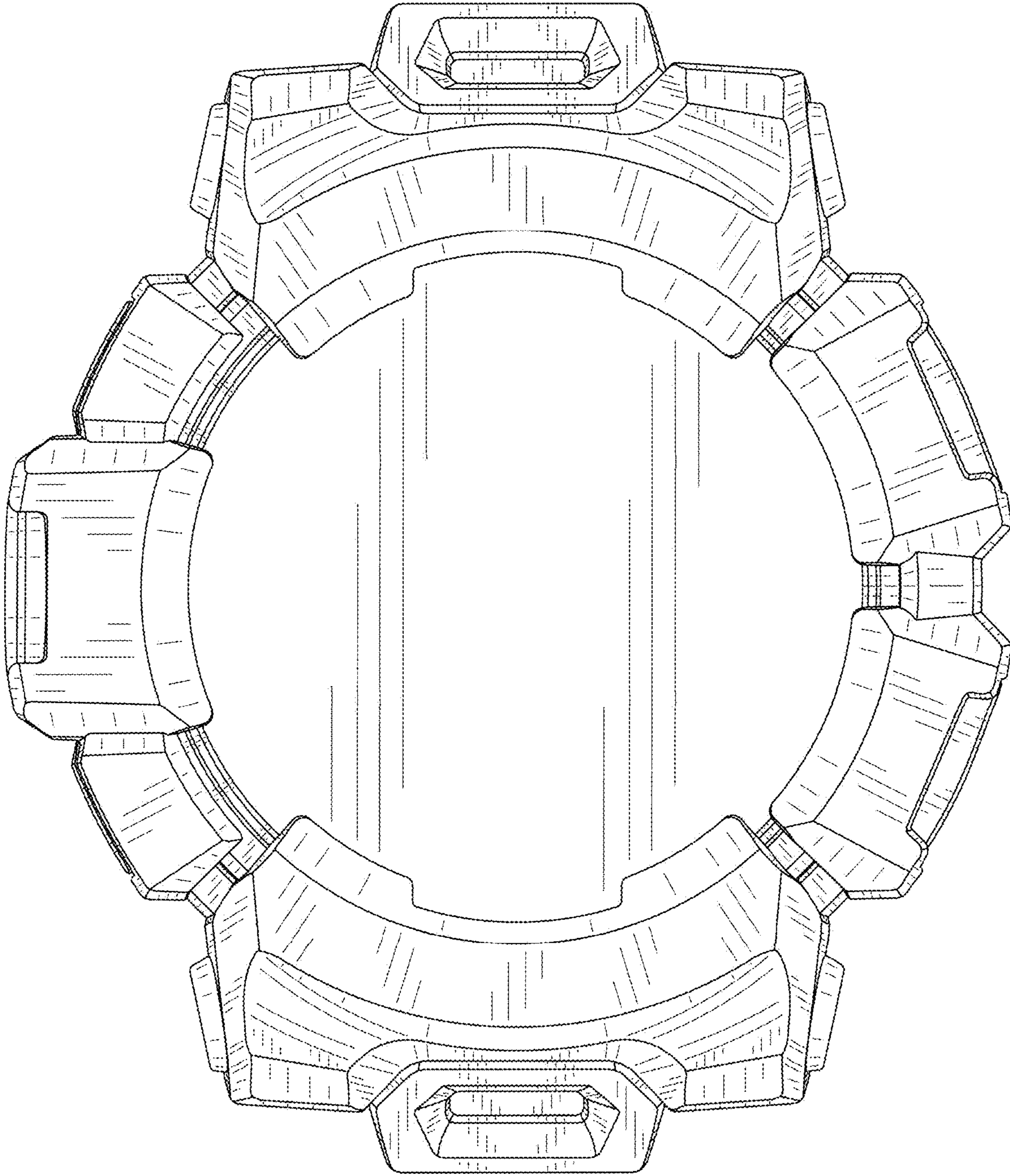


FIG. 2

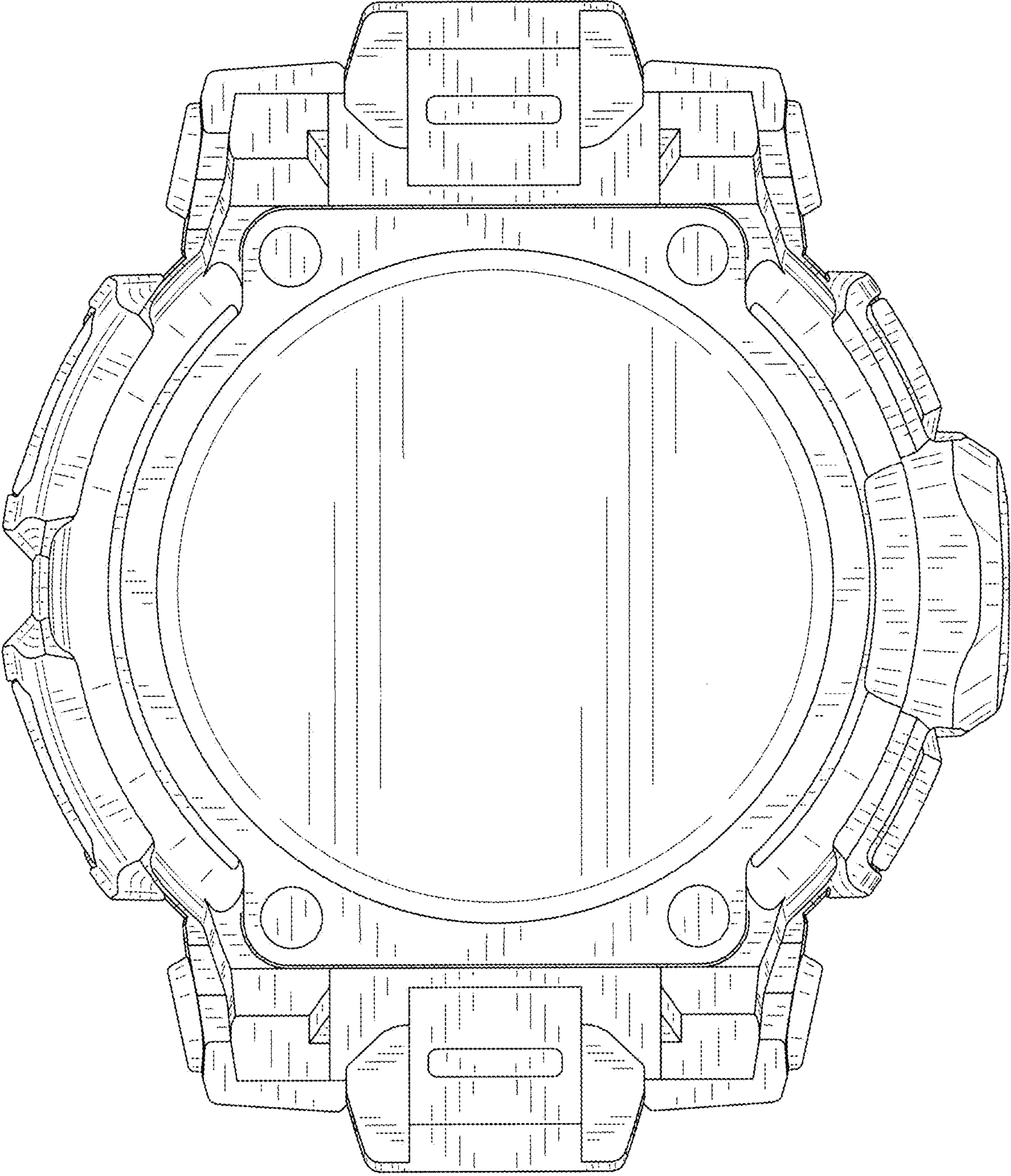


FIG. 3

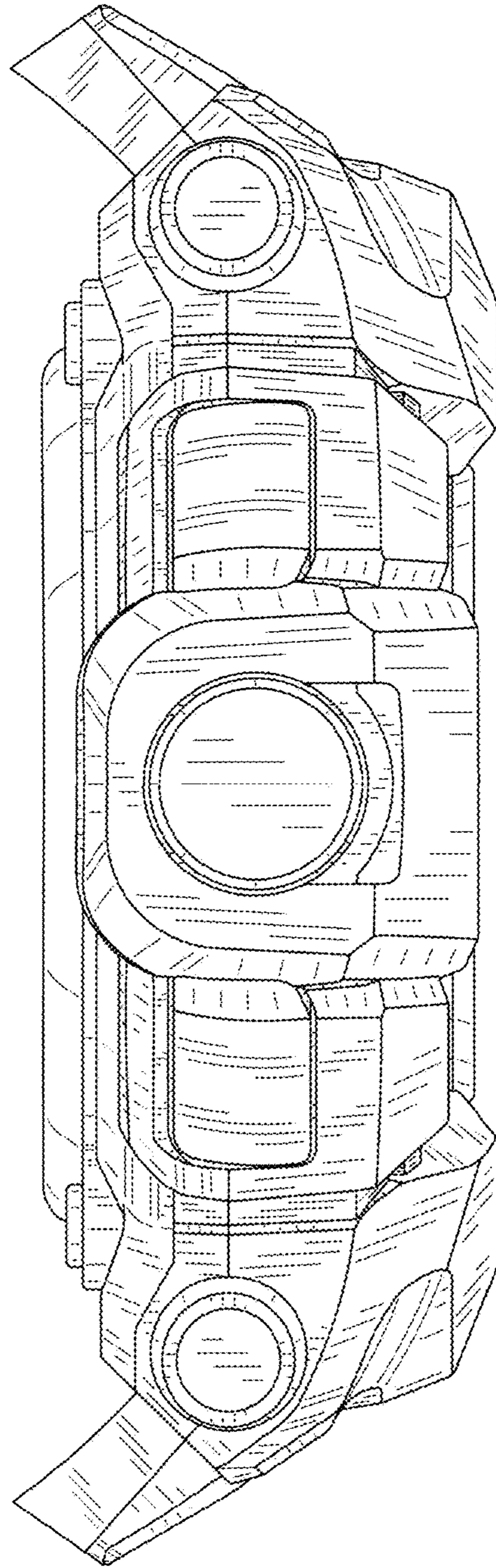


FIG. 4

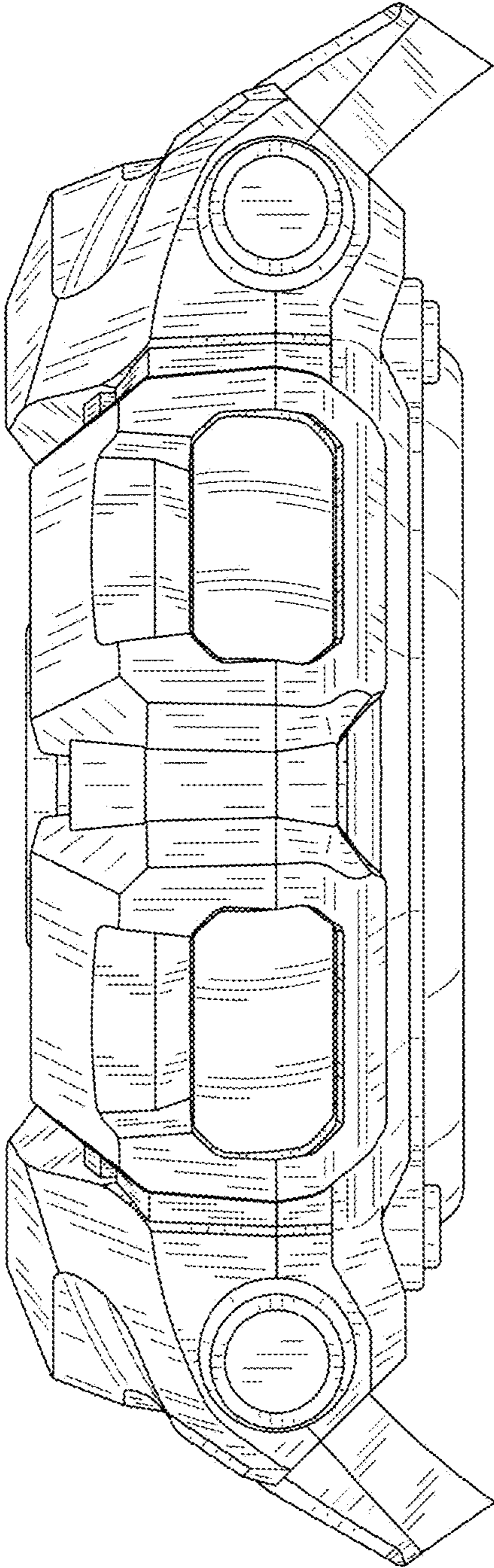


FIG. 5

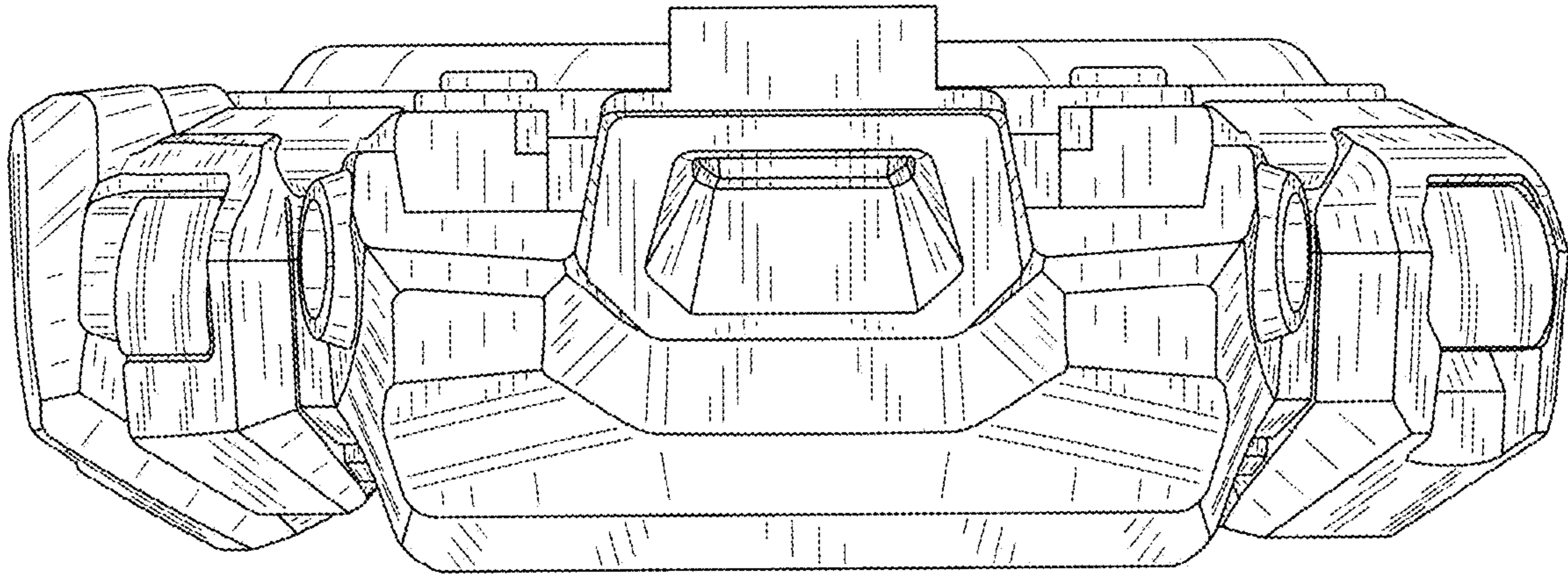


FIG. 6

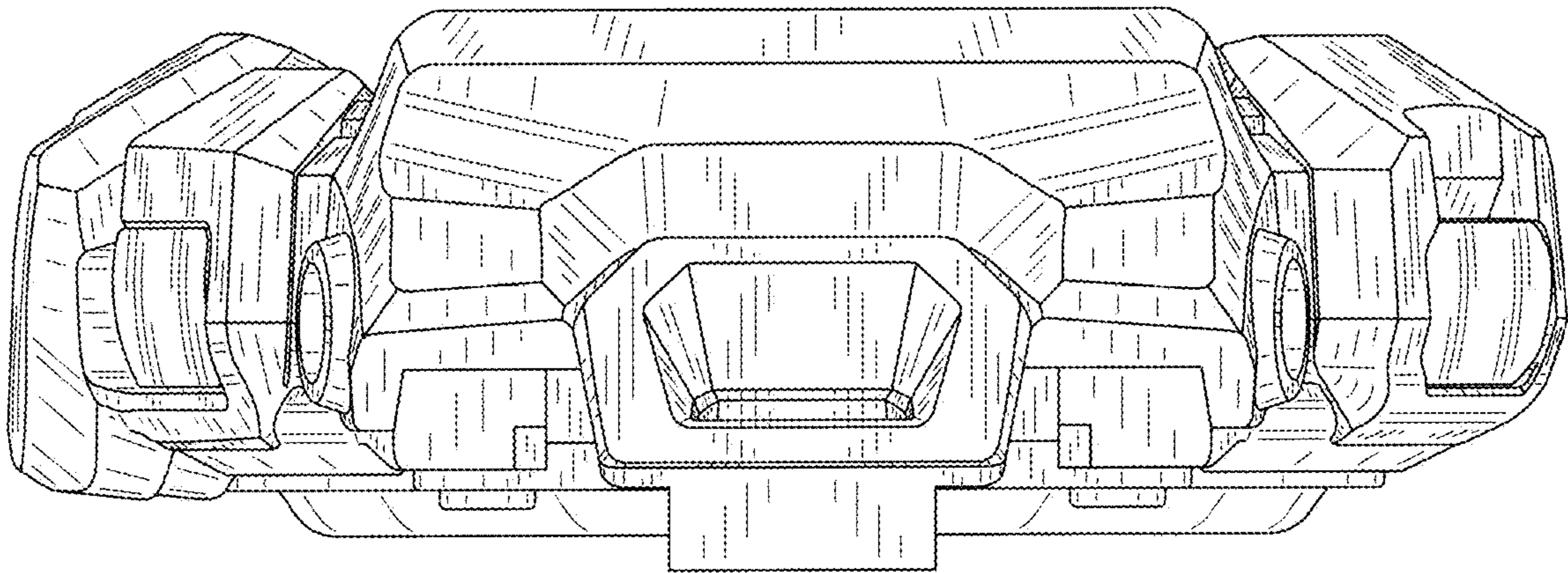


FIG. 7

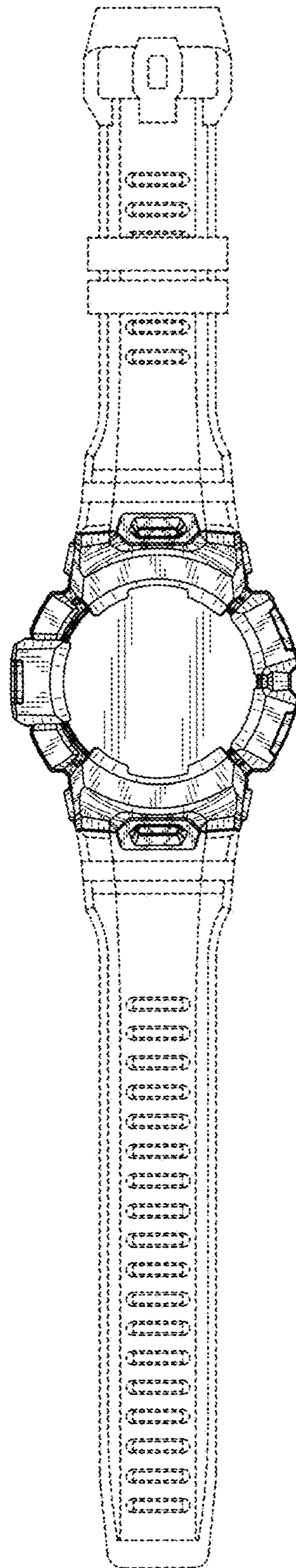


FIG. 8