



US00D986068S

(12) **United States Design Patent**  
**Hamaue et al.**

(10) **Patent No.:** **US D986,068 S**

(45) **Date of Patent:** **\*\* May 16, 2023**

(54) **WATCH CASE**

(71) Applicant: **CASIO KEISANKI KABUSHIKI KAISHA**, Tokyo (JP)

(72) Inventors: **Tomohiro Hamaue**, Tokyo (JP); **Hideki Watanabe**, Kanagawa (JP)

(73) Assignee: **CASIO KEISANKI KABUSHIKI KAISHA**, Tokyo (JP)

(\*\*) Term: **15 Years**

(21) Appl. No.: **29/755,003**

(22) Filed: **Oct. 16, 2020**

(30) **Foreign Application Priority Data**

Apr. 23, 2020 (CN) ..... 202030170938.4

(51) **LOC (14) Cl.** ..... **10-02**

(52) **U.S. Cl.**  
USPC ..... **D10/30**

(58) **Field of Classification Search**  
USPC ..... D10/30-39, 128  
CPC ..... G04B 37/0008; G04B 37/005; G04B 37/0058; G04B 37/12; G04B 37/1486; G04B 45/00; G04B 45/0069; G04B 45/0076

See application file for complete search history.

(56) **References Cited**

**U.S. PATENT DOCUMENTS**

D569,275 S \* 5/2008 Moriai ..... D10/38  
D740,138 S \* 10/2015 Goto ..... D10/39  
D817,192 S \* 5/2018 Syoubayashi ..... D10/39  
D893,318 S \* 8/2020 Orlinski ..... D10/39

D897,866 S \* 10/2020 Yamamoto ..... D10/30  
D921,513 S \* 6/2021 Tokuyama ..... D10/128  
D922,882 S \* 6/2021 Amikura ..... D10/30  
D934,699 S \* 11/2021 Matsuda ..... D10/30

**OTHER PUBLICATIONS**

Casio GST B400GB-1A9JF | amazon.com; date first available Aug. 31, 2022 [online]. © 1996-2023, Amazon.com, Inc [retrieved Mar. 9, 2023] from Internet: <https://www.amazon.com/Casio-GST-B400GB-1A9JF-G-Shock-G-Steel-Shipped/dp/B0B78C6ZCX> (Year: 2022).\*

\* cited by examiner

*Primary Examiner* — Katherine Glennon

(74) *Attorney, Agent, or Firm* — Holtz, Holtz & Volek PC

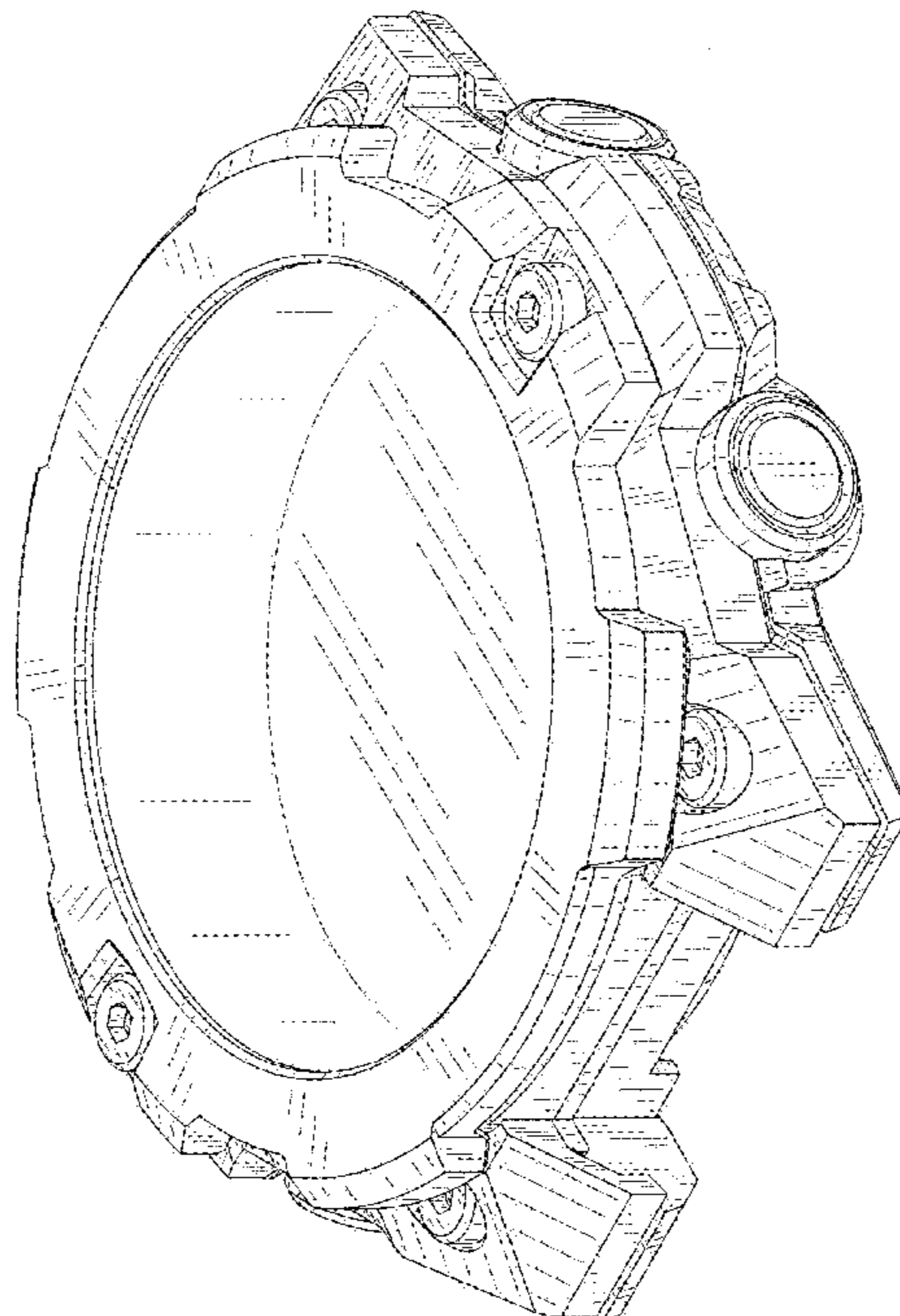
(57) **CLAIM**

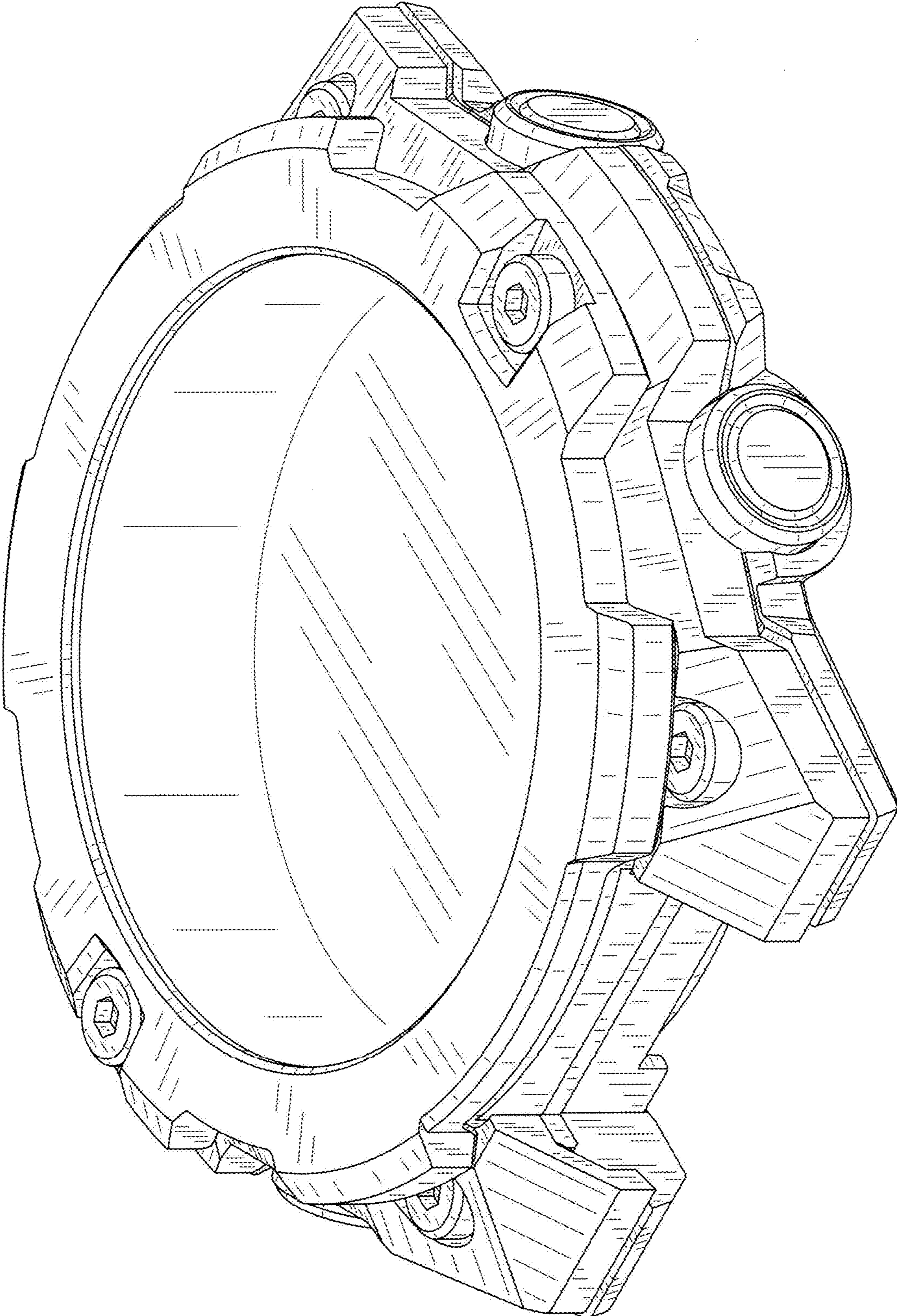
The ornamental design a watch case, as shown and described.

**DESCRIPTION**

FIG. 1 is an enlarged-scale front, right side, bottom perspective view of a watch case showing our new design; FIG. 2 is a from elevational view; FIG. 3 is a rear elevational view thereof; FIG. 4 is a left side view thereof; FIG. 5 is a right side view thereof; FIG. 6 is a top plan view thereof; FIG. 7 is a bottom plan view thereof; and, FIG. 8 is a reference reduced-scale front elevational view thereof, with a watchband attached. The broken lines are included for the purpose of illustrating the environmental structure and form no part of the claimed design.

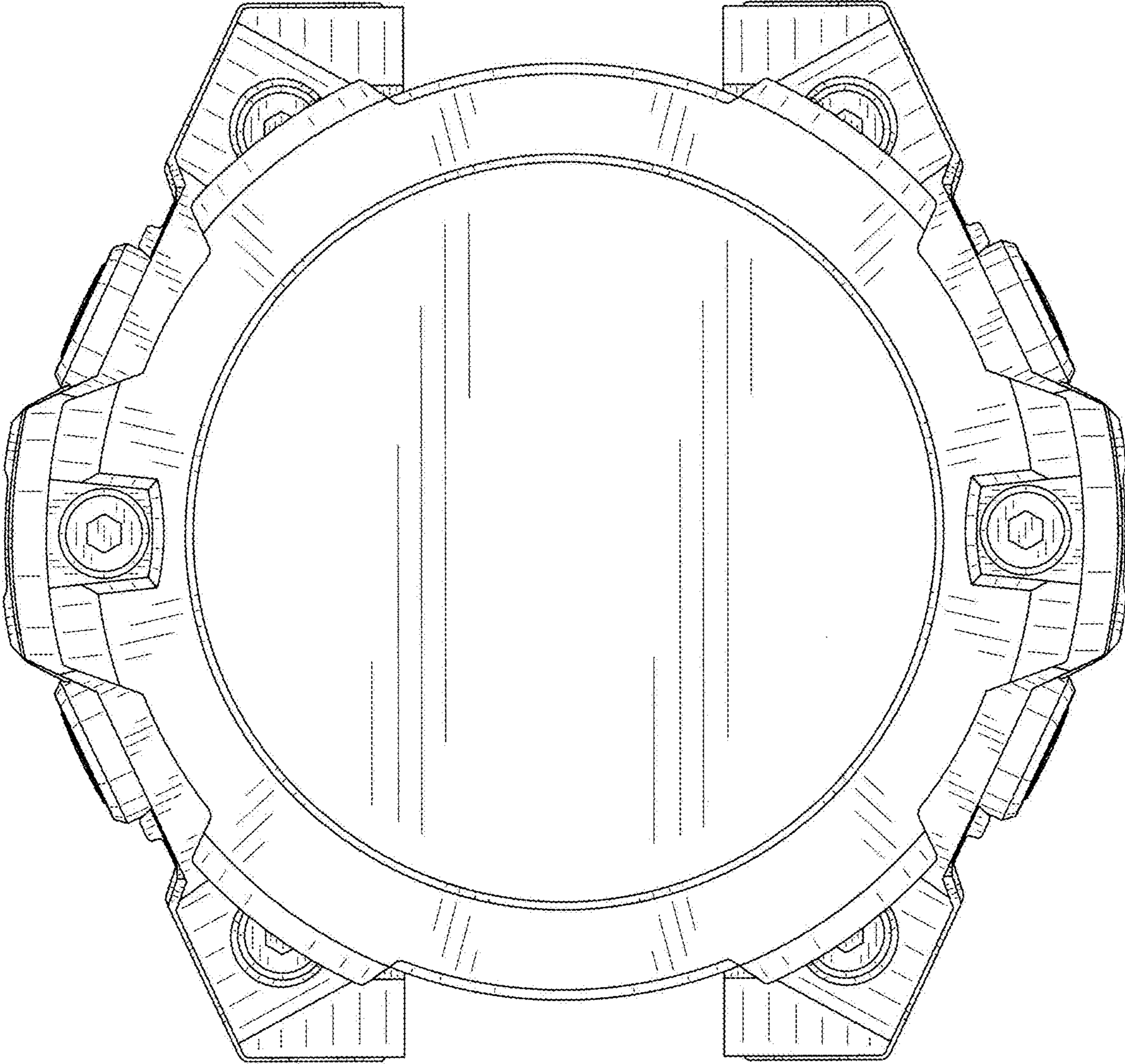
**1 Claim, 7 Drawing Sheets**



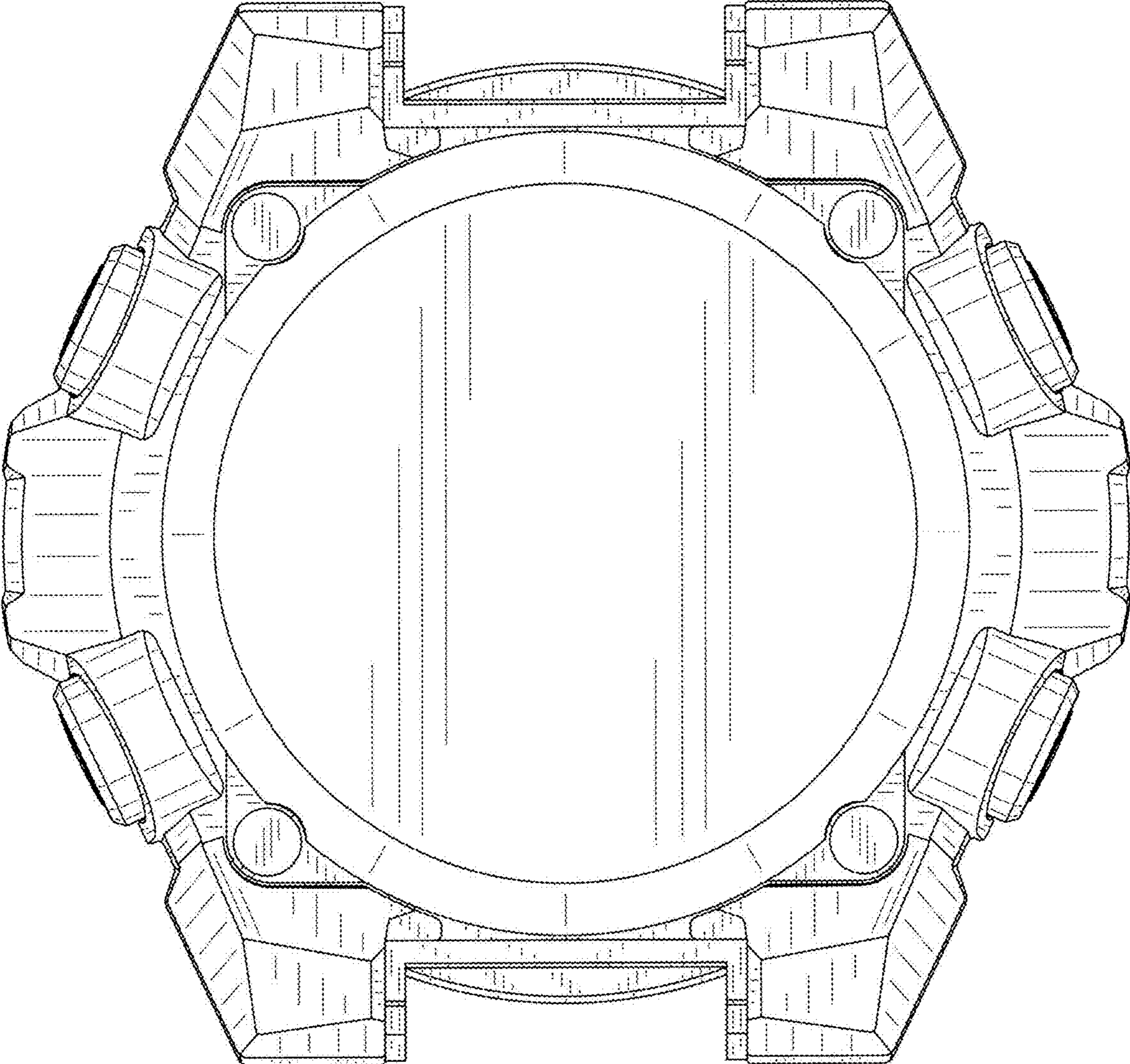


**FIG. 1**

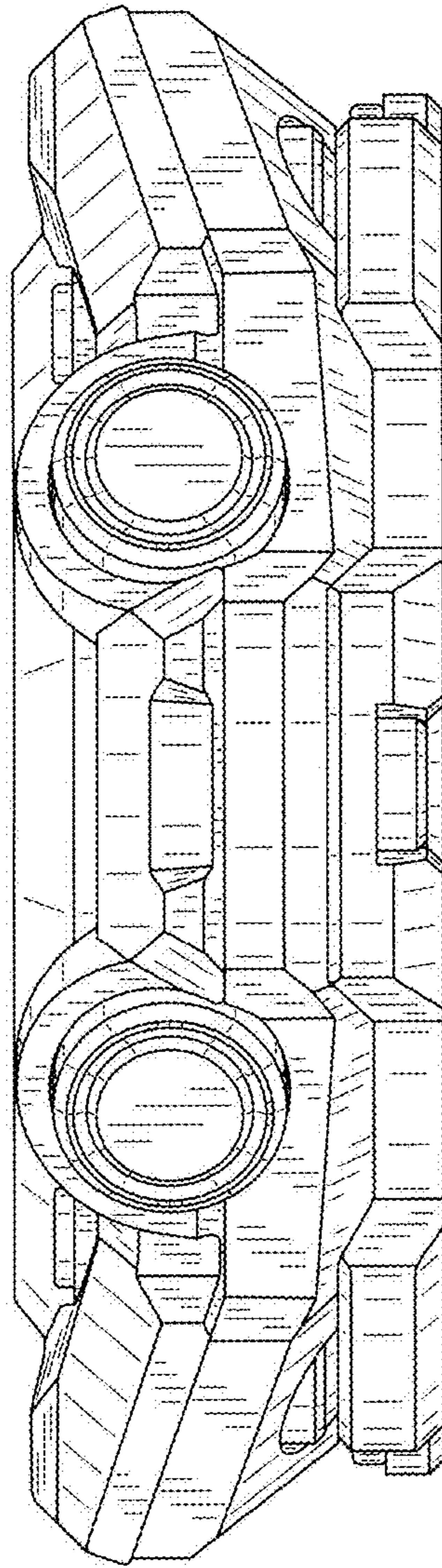




**FIG. 2**

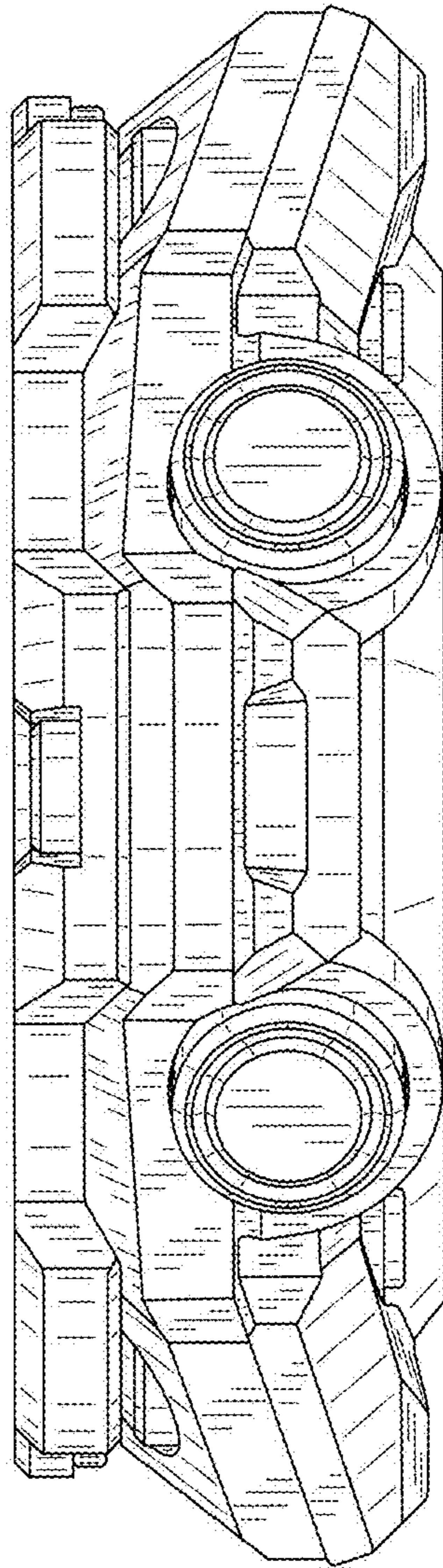


**FIG. 3**

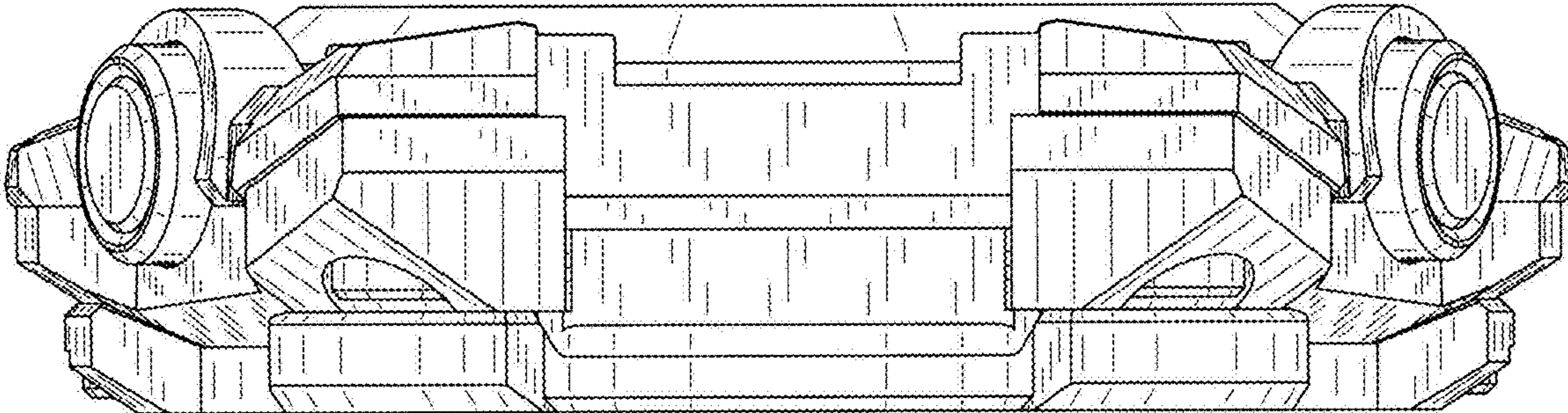


**FIG. 4**

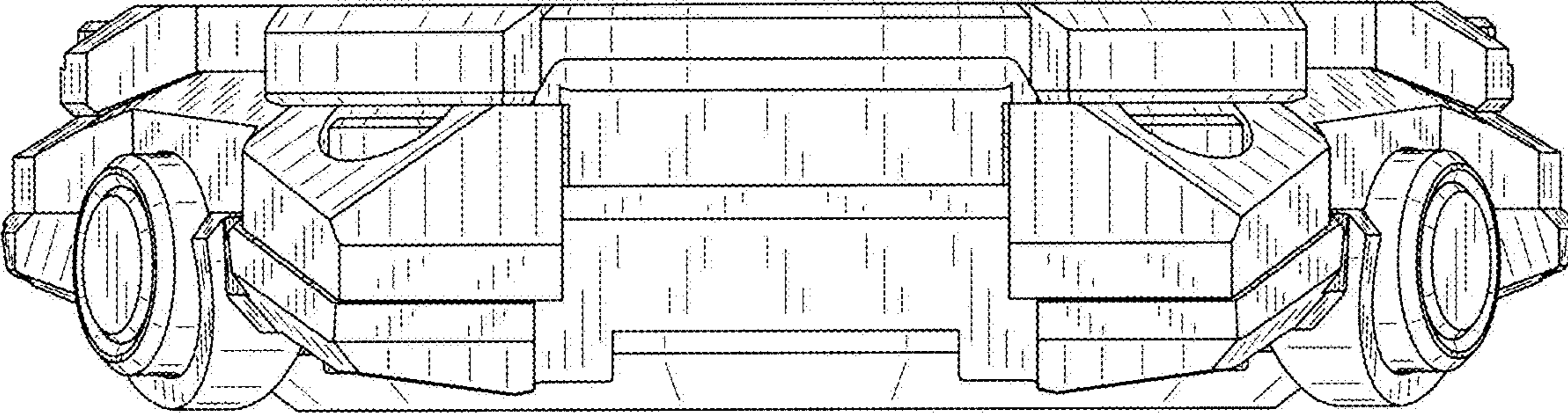




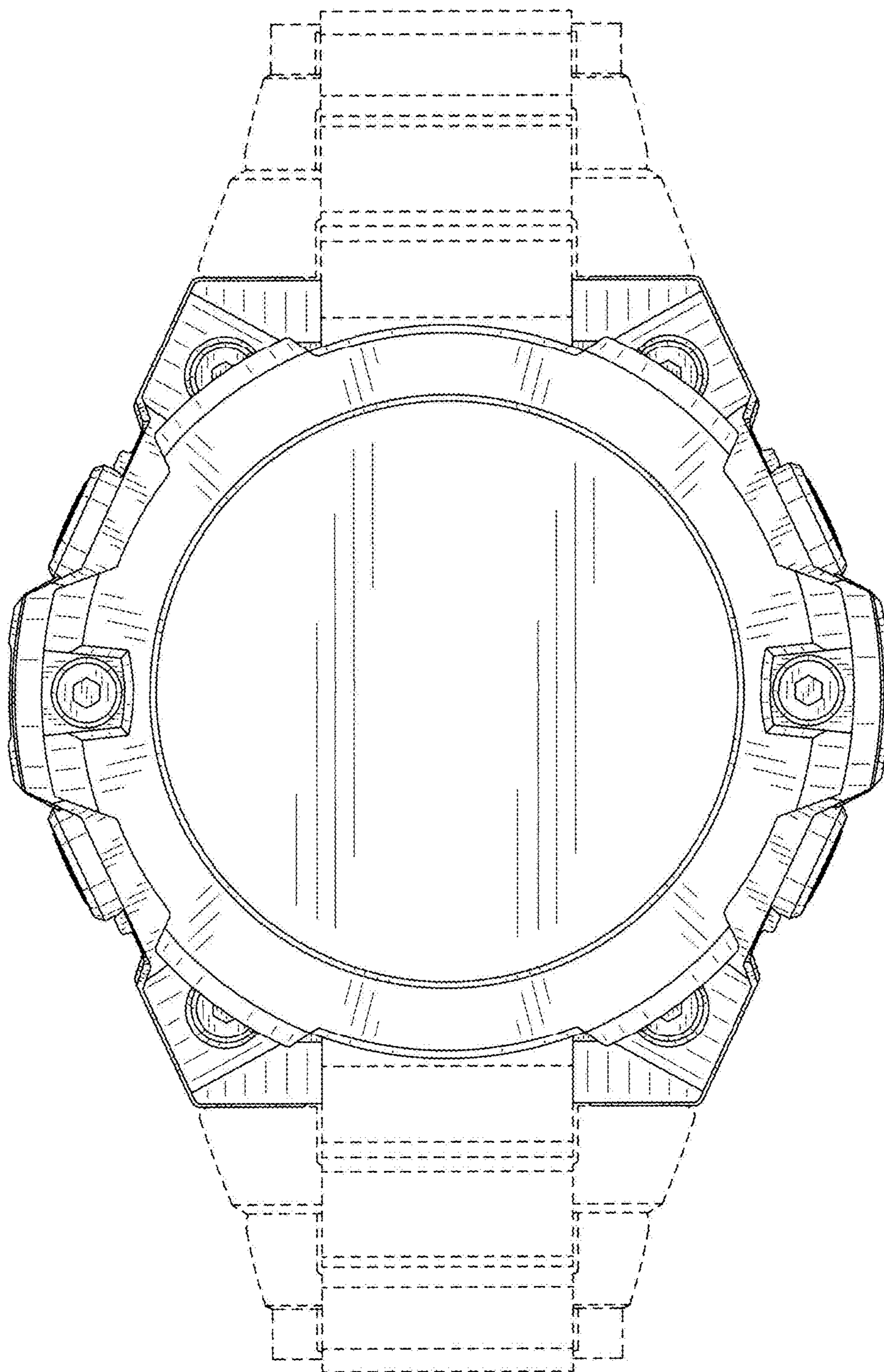
**FIG. 5**



**FIG. 6**



**FIG. 7**



**FIG. 8**



UNITED STATES PATENT AND TRADEMARK OFFICE  
**CERTIFICATE OF CORRECTION**

PATENT NO. : D986,068 S  
APPLICATION NO. : 29/755003  
DATED : May 16, 2023  
INVENTOR(S) : Tomohiro Hamaue and Hideki Watanabe

Page 1 of 1

It is certified that error appears in the above-identified patent and that said Letters Patent is hereby corrected as shown below:

On the Title Page

Under "DESCRIPTION" delete "FIG. 2 is a from elevatonal view;" and insert --FIG. 2 is a front elevational view thereof;--.

Signed and Sealed this  
Twenty-second Day of August, 2023



Katherine Kelly Vidal  
*Director of the United States Patent and Trademark Office*