



US00D986066S

(12) **United States Design Patent**  
**Hutts et al.**

(10) **Patent No.:** **US D986,066 S**

(45) **Date of Patent:** **\*\* May 16, 2023**

(54) **CONTAINER**

(71) Applicant: **BlueTriton Brands, Inc.**, Stamford, CT (US)

(72) Inventors: **David Jerome Hutts**, Fort Worth, TX (US); **Christopher P. Nanos**, Stamford, CT (US); **Lauren Webber**, New York, NY (US); **Ryan Boudreaux**, Yorktown Heights, NY (US); **Peter Brian Clarke**, Newtown, CT (US); **Trond Erik Tollefsen**, Greenwich (GB)

(73) Assignee: **BLUETRITON BRANDS, INC.**, Stamford, CT (US)

(\*\*) Term: **15 Years**

(21) Appl. No.: **29/798,113**

(22) Filed: **Jul. 6, 2021**

(51) **LOC (14) Cl.** ..... **09-01**

(52) **U.S. Cl.**  
USPC ..... **D9/531; D9/550; D9/556**

(58) **Field of Classification Search**  
USPC ..... D9/500, 501, 505, 544, 545, 549, 550, D9/553, 554, 555, 556, 557, 558, 575, D9/531, 537, 538, 547, 526-528; D7/509, 510, 511, 523, 514, 530, 533  
CPC ..... B65D 1/0223; B65D 83/206; A45F 3/16; A45F 2200/0583

See application file for complete search history.

(56) **References Cited**

**U.S. PATENT DOCUMENTS**

D23,550 S *	8/1894	Bevan	.....	D9/545
D68,413 S *	10/1925	Thom	.....	D9/556
D72,141 S *	3/1927	Boswell	.....	D9/557
D233,134 S *	10/1974	Sinding	.....	D9/531
D233,595 S *	11/1974	Sinding	.....	D9/557
D270,136 S *	8/1983	Cox	.....	D9/554

D270,697 S *	9/1983	Thrush	.....	D7/530
D272,604 S *	2/1984	Cox	.....	D9/550
D303,497 S *	9/1989	Larson	.....	D9/557
D324,650 S *	3/1992	Larson	.....	D9/557
D326,051 S *	5/1992	Frahm	.....	D9/557
D327,219 S *	6/1992	Hestehave	.....	D9/530
D333,098 S *	2/1993	Hestehave	.....	D9/557
D339,067 S *	9/1993	Rokus	.....	D9/557
D361,039 S *	8/1995	Rokus	.....	D9/557
D369,555 S *	5/1996	Heinz	.....	D9/551
D397,942 S *	9/1998	Lewis	.....	D9/531
D401,859 S *	12/1998	Rokus	.....	D9/551

(Continued)

**FOREIGN PATENT DOCUMENTS**

CN	3427512	*	2/2005
CN	304405881	*	12/2017

(Continued)

*Primary Examiner* — Brett Miller

*Assistant Examiner* — Rani J Abdallah

(74) *Attorney, Agent, or Firm* — Finnegan, Henderson, Farabow, Garrett & Dunner, LLP

(57) **CLAIM**

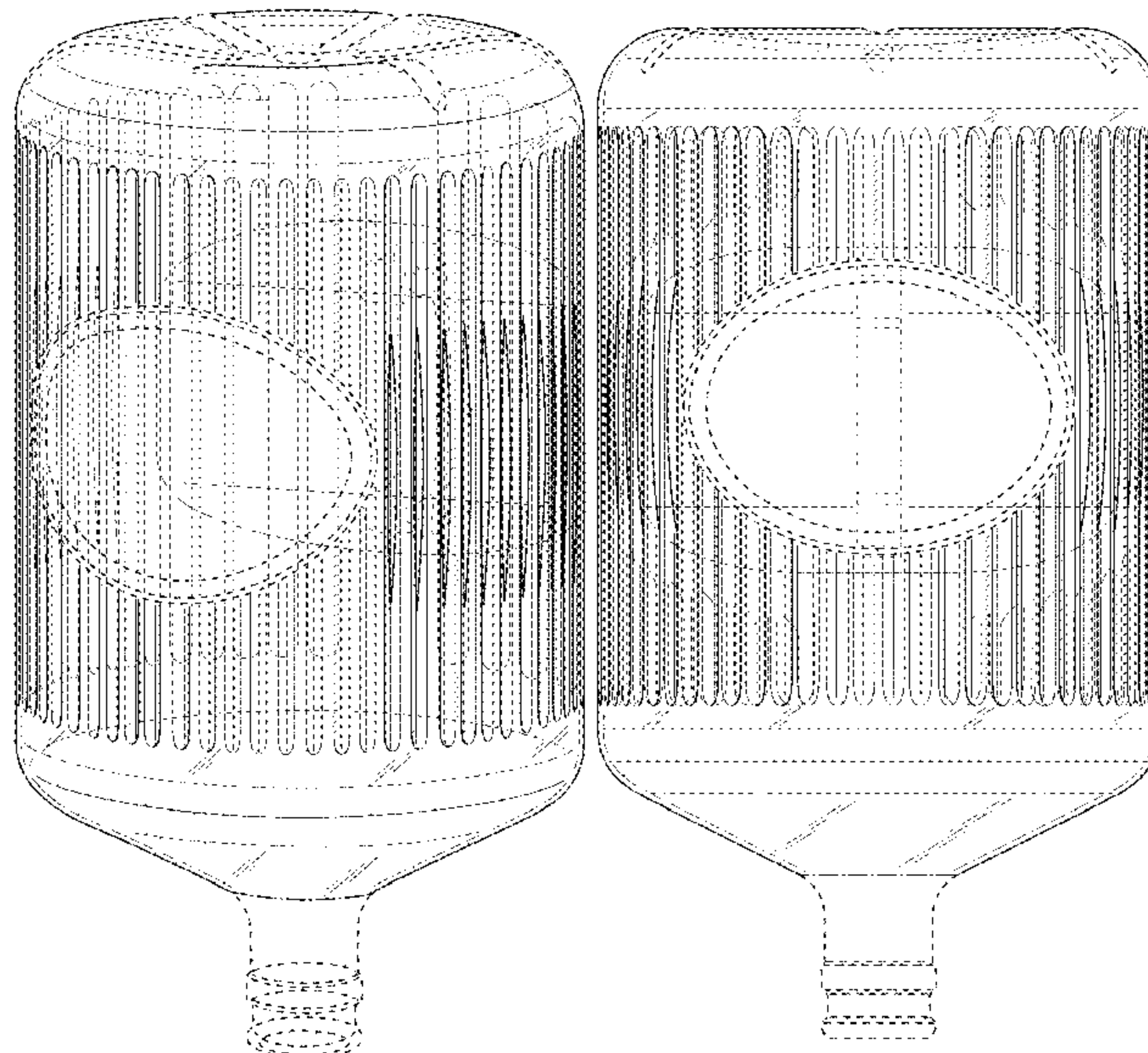
The ornamental design for a container, as shown and described.

**DESCRIPTION**

FIG. 1 is a top, front, right side perspective view of a container, showing our new design;  
FIG. 2 is a front elevation view thereof;  
FIG. 3 is a rear elevation view thereof;  
FIG. 4 is a left side view thereof;  
FIG. 5 is a right side view thereof;  
FIG. 6 is a bottom plan view thereof; and,  
FIG. 7 is a top plan view thereof.

The dash-dash lines depict portions of the container. The dash-dot lines depict the boundaries of the claim. Broken lines form no part of the claimed design.

**1 Claim, 7 Drawing Sheets**



(56)

**References Cited**

U.S. PATENT DOCUMENTS

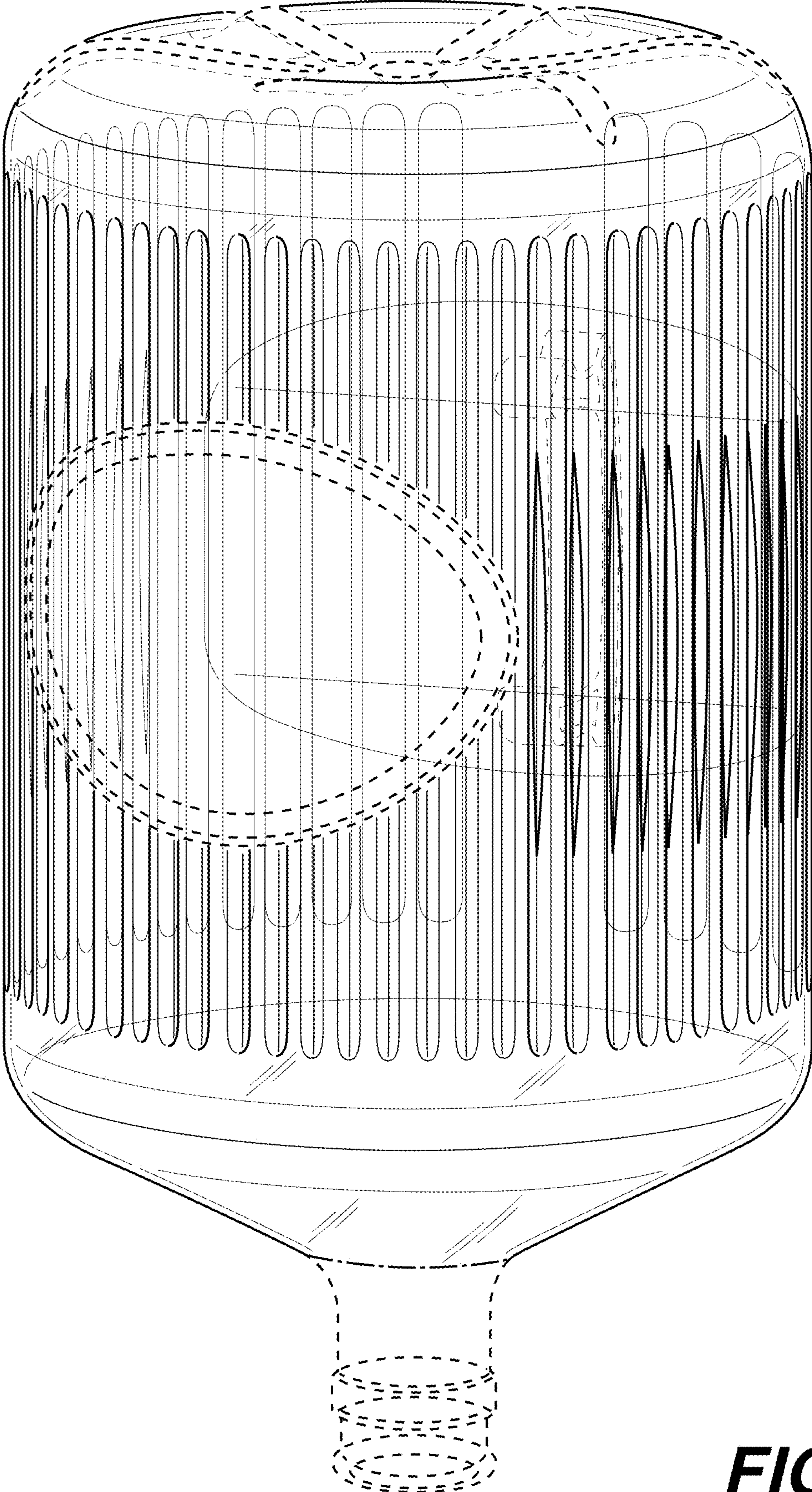
D404,649	S	*	1/1999	Meisner	.....	D9/557
D419,885	S	*	2/2000	Gonzalez C.	.....	D9/557
D430,038	S	*	8/2000	Young	.....	D9/549
D433,636	S	*	11/2000	Gonzalez C.	.....	D9/531
D471,457	S	*	3/2003	Deichler	.....	D9/557
D487,701	S	*	3/2004	Thibodeau	.....	D9/531
D502,405	S	*	3/2005	Dorn	.....	D9/553
D605,946	S	*	12/2009	Manderfield, Jr.	.....	D9/531
D624,822	S	*	10/2010	Lovelace, Jr.	.....	D9/557
D719,028	S	*	12/2014	Tiet	.....	D9/531
D719,029	S	*	12/2014	Tiet	.....	D9/531
D719,452	S	*	12/2014	Tiet	.....	D9/531
D786,084	S	*	5/2017	Kachar	.....	D9/549
D810,574	S	*	2/2018	Melkonian	.....	D9/531
D821,884	S	*	7/2018	Li	.....	D9/556
D873,668	S	*	1/2020	Melkonian	.....	D9/557
D920,799	S	*	6/2021	Manderfield	.....	D9/558
D942,863	S	*	2/2022	Nonino	.....	D9/556
2003/0173328	A1	*	9/2003	Herckner	.....	B29C 49/04 215/398
2004/0065636	A1	*	4/2004	Thibodeau	.....	B65D 23/102 264/541
2012/0318767	A1	*	12/2012	Burgess	.....	B65D 23/10 215/40

FOREIGN PATENT DOCUMENTS

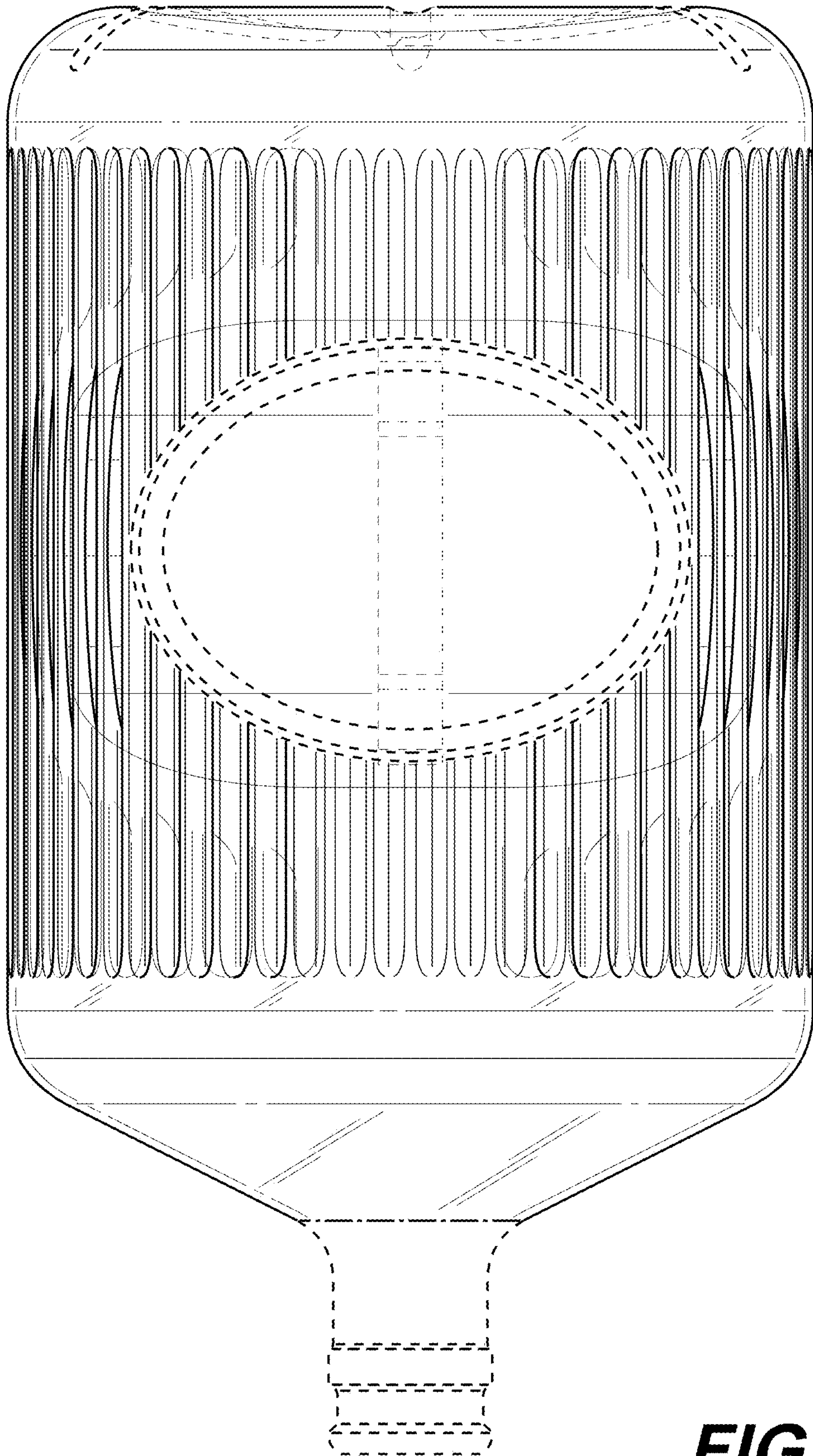
CN	306961828	*	11/2021
CN	306961912	*	11/2021
CN	307219088	*	4/2022
CN	307345802	*	5/2022
JP	D1465345	*	3/2013

\* cited by examiner



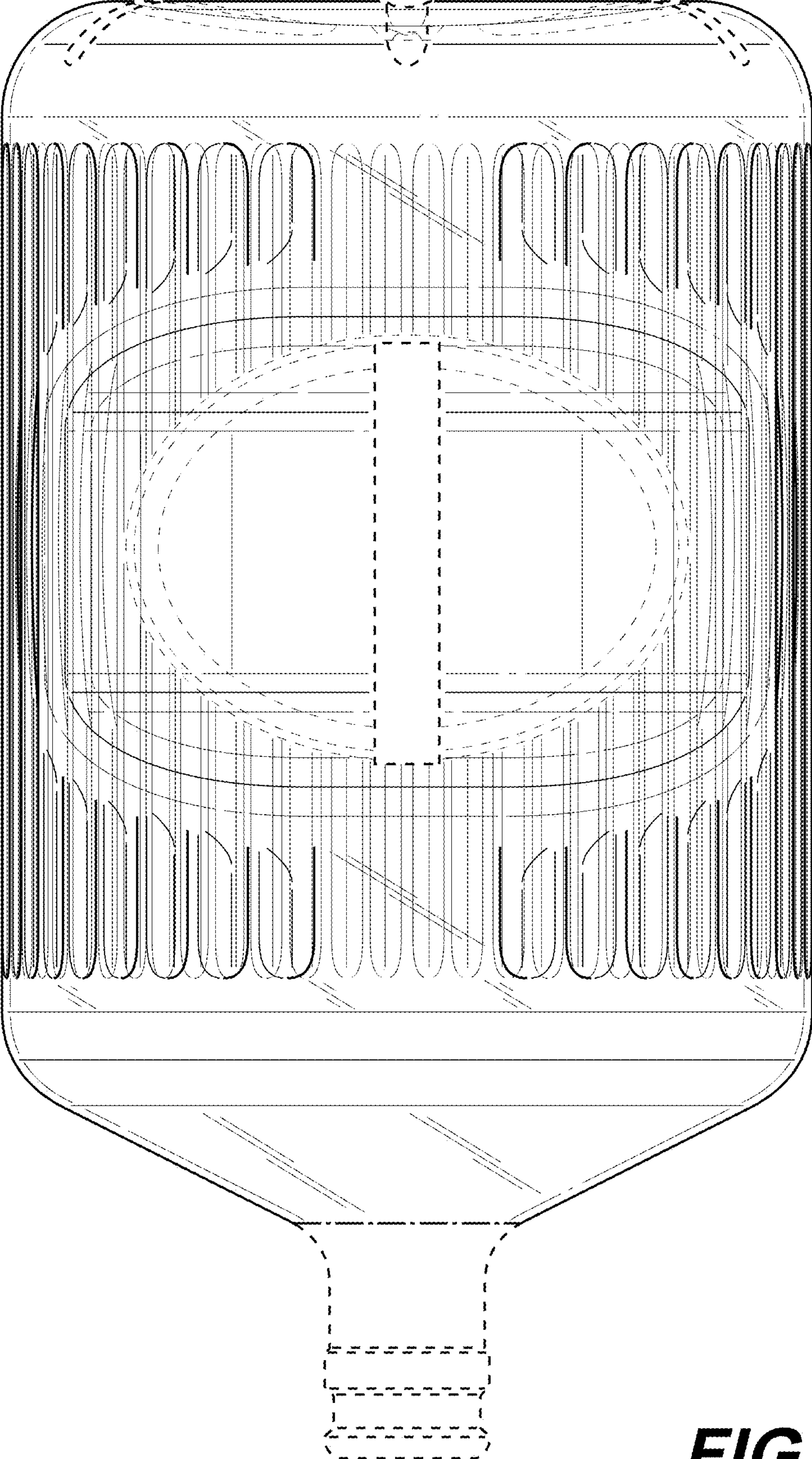


**FIG. 1**

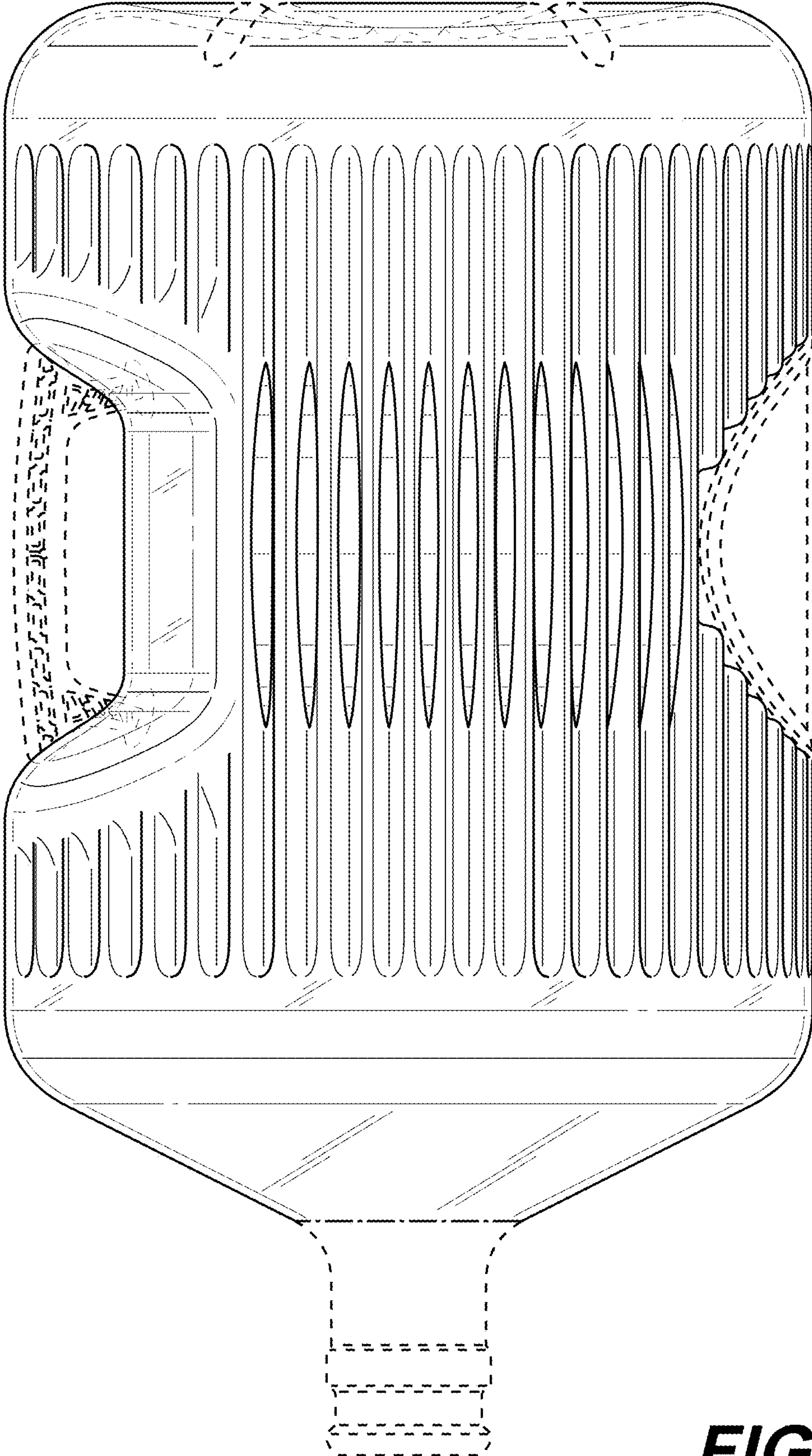


**FIG. 2**



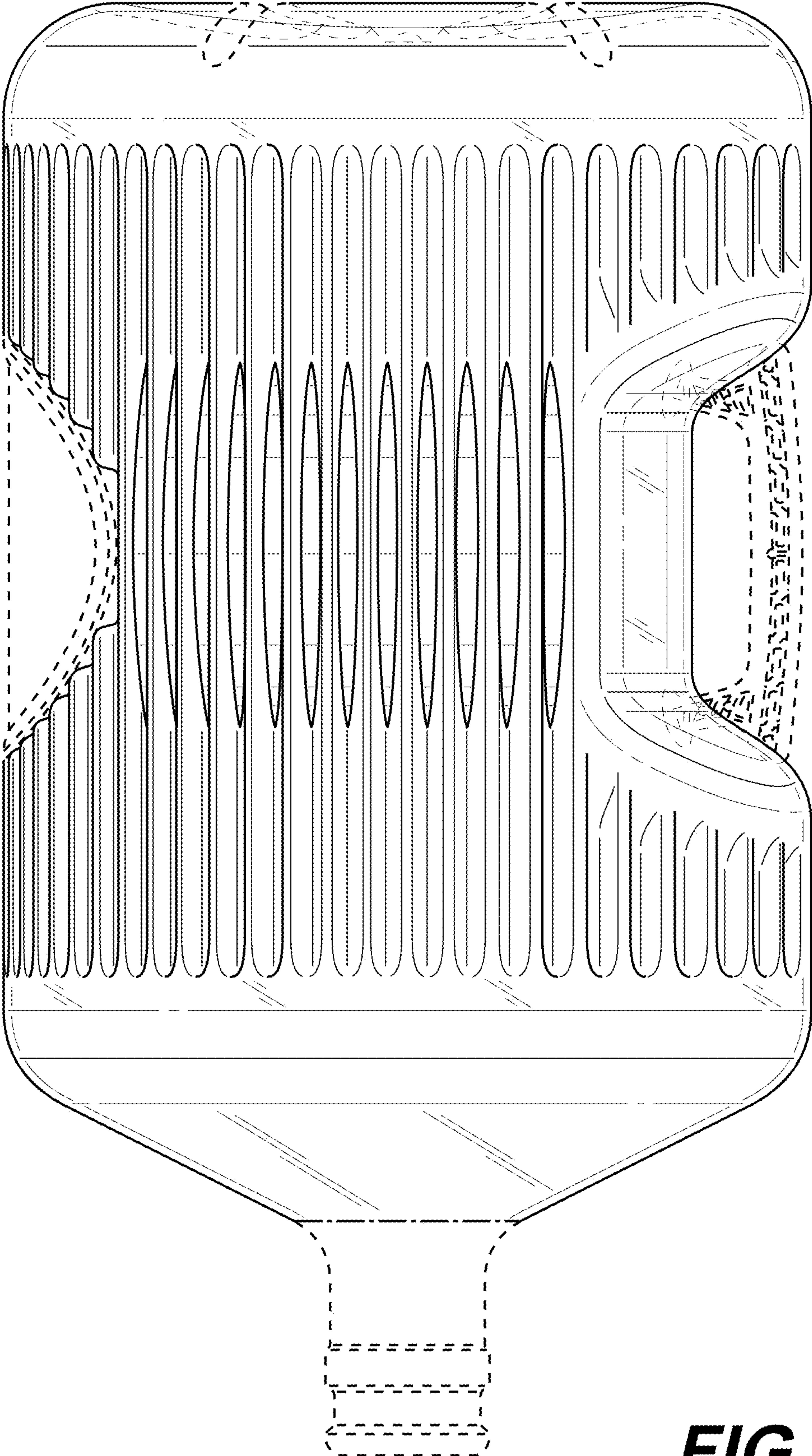


**FIG. 3**

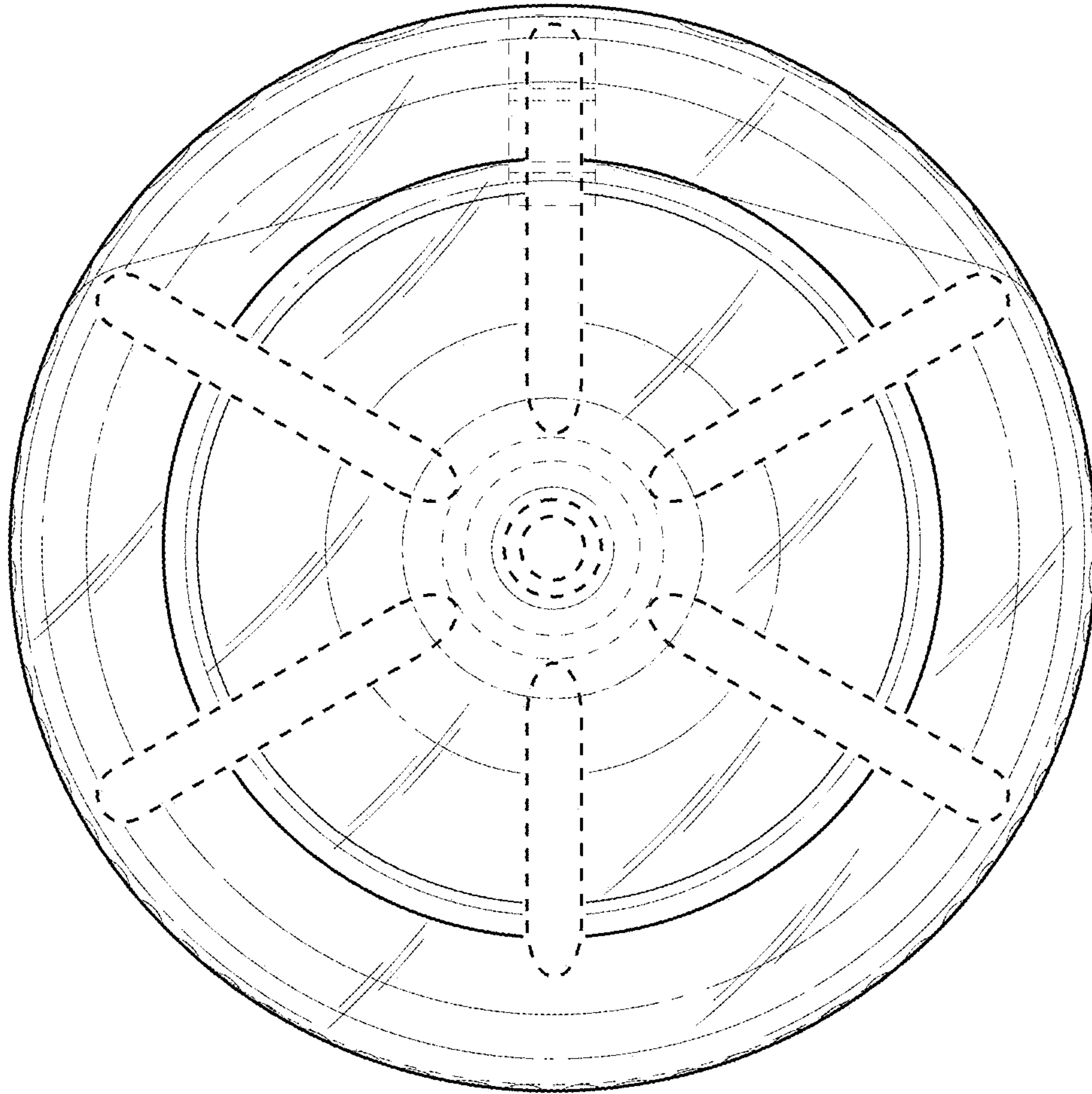


**FIG. 4**



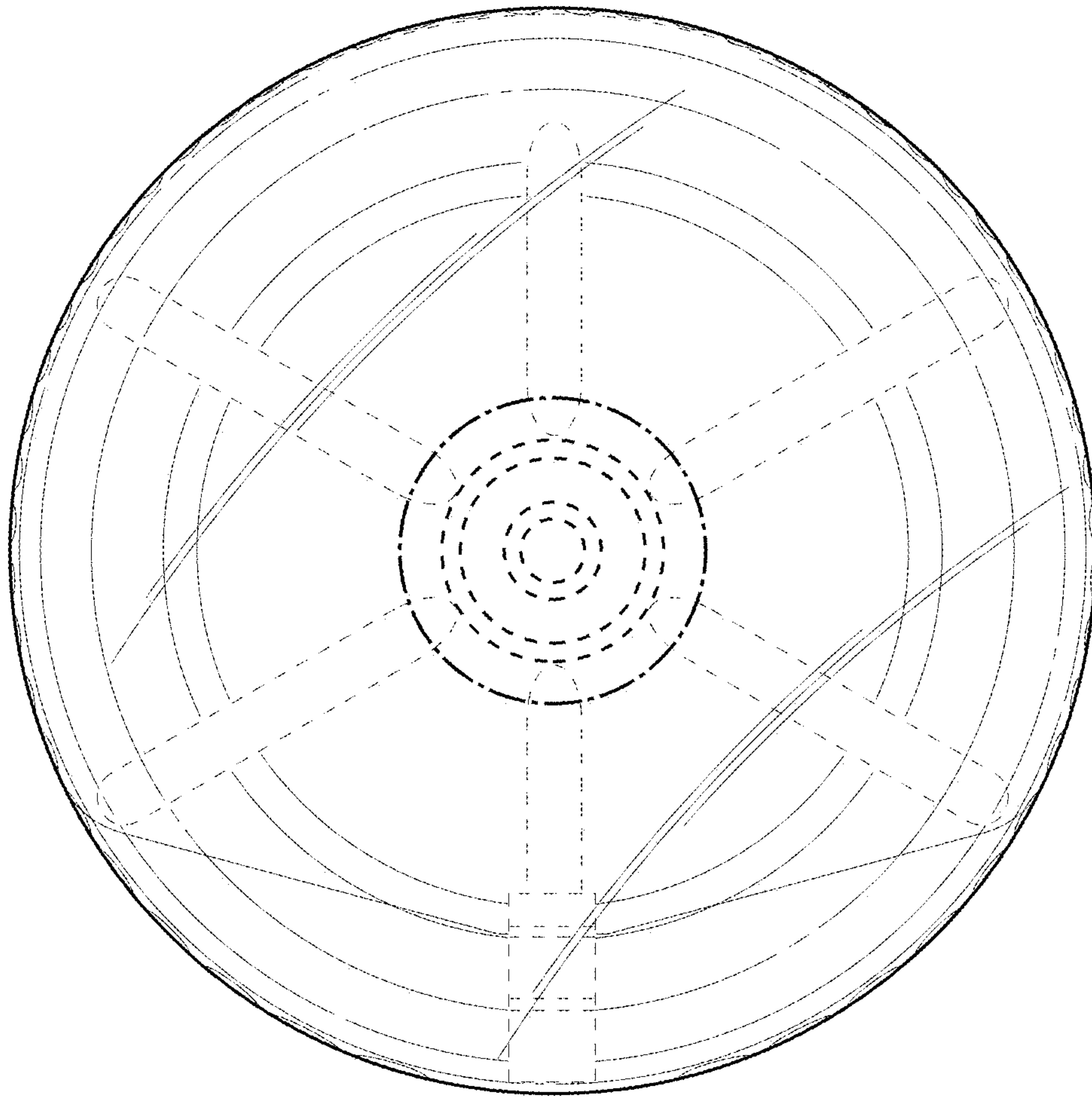


**FIG. 5**



**FIG. 6**





**FIG. 7**