



US00D986065S

(12) **United States Design Patent** (10) **Patent No.:** **US D986,065 S**  
**Mclaughlin** (45) **Date of Patent:** **\*\* May 16, 2023**

(54) **BOTTLE**  
(71) Applicant: **Revlon Consumer Products Corporation, New York, NY (US)**  
(72) Inventor: **Paul Mclaughlin, Fairfield, CT (US)**  
(73) Assignee: **Revlon Consumer Products Corporation, New York, NY (US)**  
(\*\*) Term: **15 Years**  
(21) Appl. No.: **29/731,452**  
(22) Filed: **Apr. 15, 2020**  
(51) **LOC (14) Cl.** ..... **09-01**  
(52) **U.S. Cl.**  
USPC ..... **D9/529; D28/7**  
(58) **Field of Classification Search**  
USPC ..... D7/690; D9/723-729, 529; D28/7, 8, D28/76, 85, 99  
CPC ..... A45D 2200/10; A45D 2200/1009; A45D 2200/1018; A61B 2017/00734  
See application file for complete search history.

D813,551 S \* 3/2018 Tan ..... D28/7  
D934,079 S \* 10/2021 Hatton ..... D9/558  
D936,481 S \* 11/2021 Newell ..... D4/116  
D942,693 S \* 2/2022 Zeng ..... D9/504  
D958,454 S \* 7/2022 Molinie ..... D28/7

**FOREIGN PATENT DOCUMENTS**

WO D100788-001 \* 4/2018

**OTHER PUBLICATIONS**

Set of 70—15 ml Empty Glass Nail Polish Bottle with Brush, Agitator and Shiny Black Cap by nakpunar Online, published date N/A. Retrieved on Sep. 26, 2022 from URL:https://www.nakpunar.com/glass-bottles/nail-polish-bottles/15-ml-oblong-nail-polish-bottle-with-brush-agitator-and-black-cap/#tab-addition.\*  
Revlon Ultra HD Vinyl Lip Polish Bottle. Purchased Apr. 2020. CVS store. Yardley, Pa.

\* cited by examiner

*Primary Examiner* — Jae Liang  
*Assistant Examiner* — Royner Mendoza  
(74) *Attorney, Agent, or Firm* — Maheen Baber

(56) **References Cited**

**U.S. PATENT DOCUMENTS**

D316,034 S \* 4/1991 DeGaetano ..... D9/557  
D331,697 S \* 12/1992 Desgrippes ..... D4/116  
D345,918 S \* 4/1994 Chevassus ..... D9/558  
D345,919 S \* 4/1994 Chevassus ..... D9/558  
5,529,417 A \* 6/1996 Burrlander ..... A45D 34/045  
132/73  
D376,105 S \* 12/1996 Thompson ..... D9/529  
D411,749 S \* 6/1999 Nahum-Albright ..... D9/554  
D429,154 S \* 8/2000 Chang ..... D9/503  
D429,646 S \* 8/2000 Goettner ..... D9/571  
D488,382 S \* 4/2004 Calello ..... D9/521  
D512,920 S \* 12/2005 Kim ..... D9/575  
D535,104 S \* 1/2007 Chen ..... D4/116  
D685,638 S \* 7/2013 DeMarco ..... D9/504  
D758,737 S \* 6/2016 Tan ..... D9/503  
D759,501 S \* 6/2016 Hwang ..... D9/504

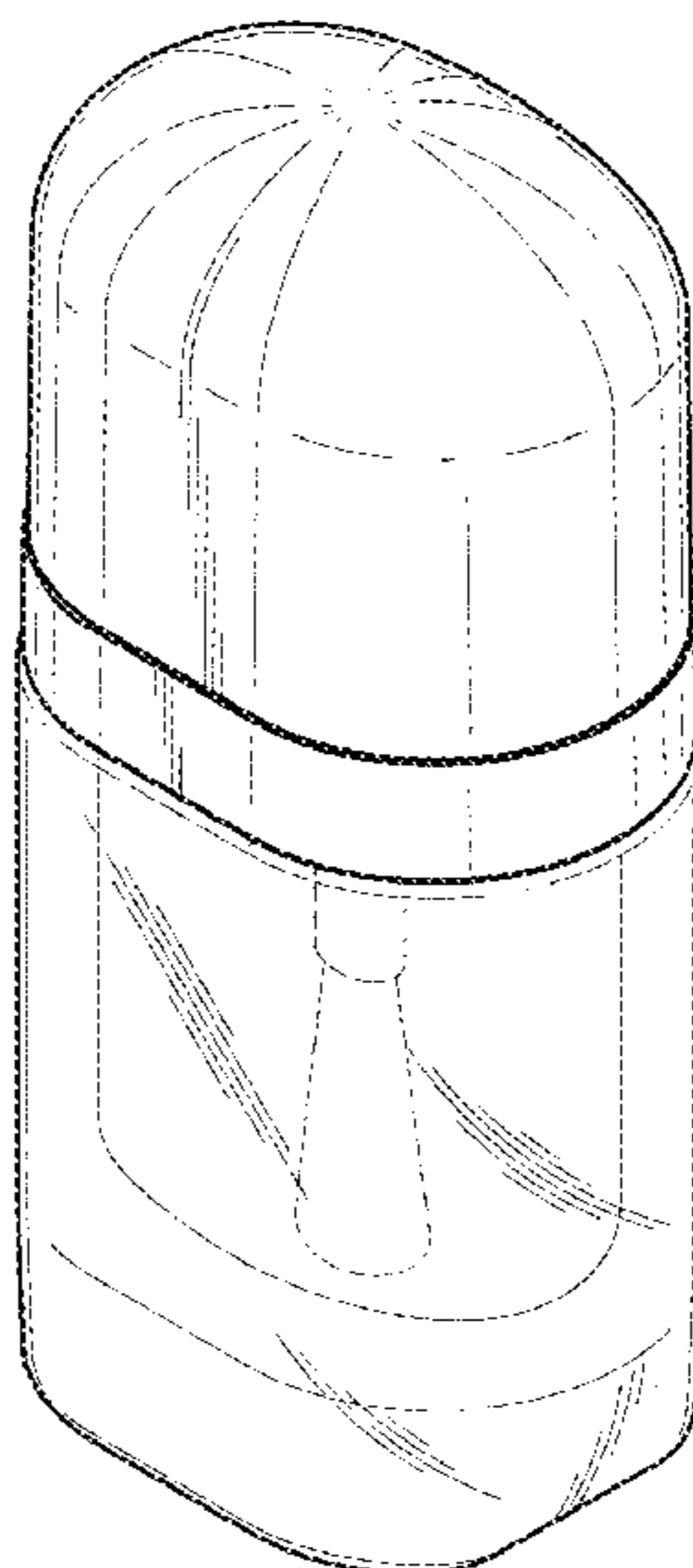
(57) **CLAIM**

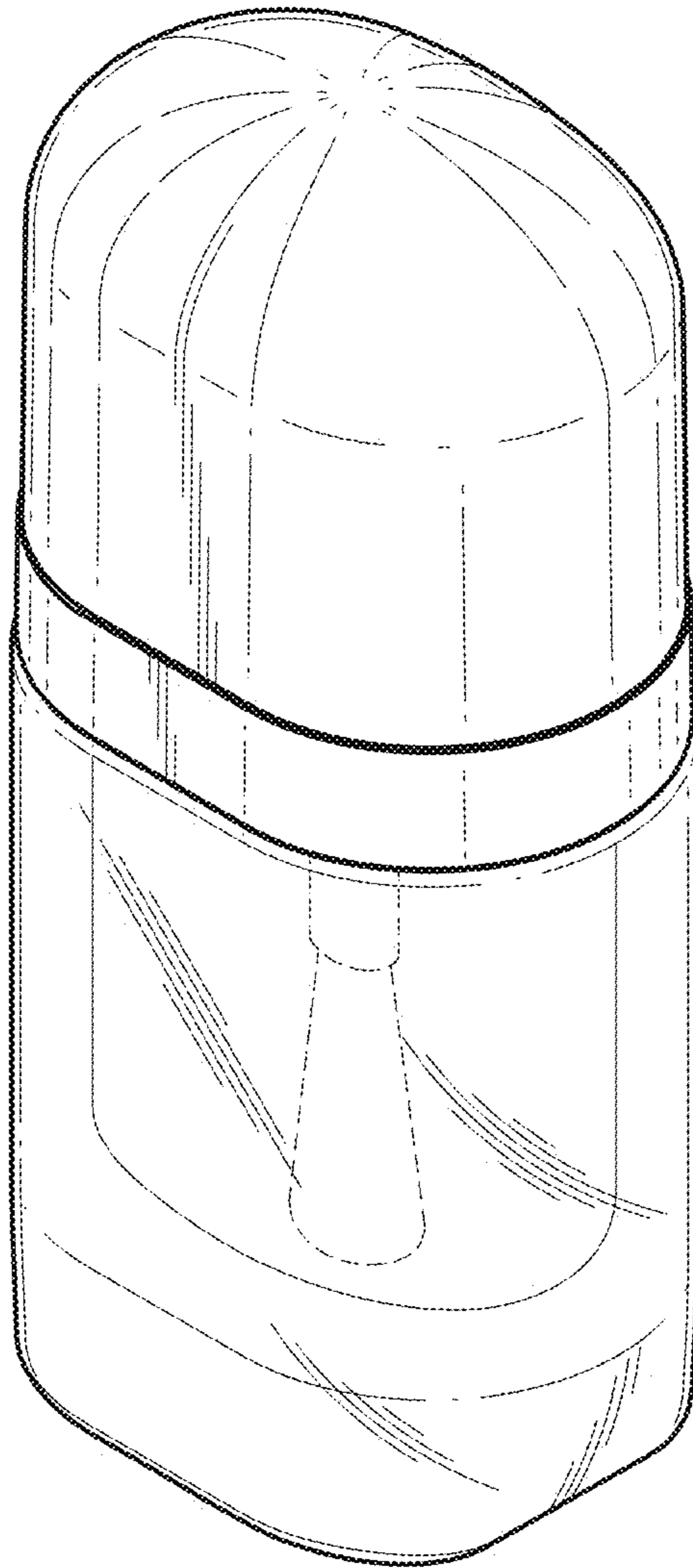
The ornamental design for a bottle, as shown and described.

**DESCRIPTION**

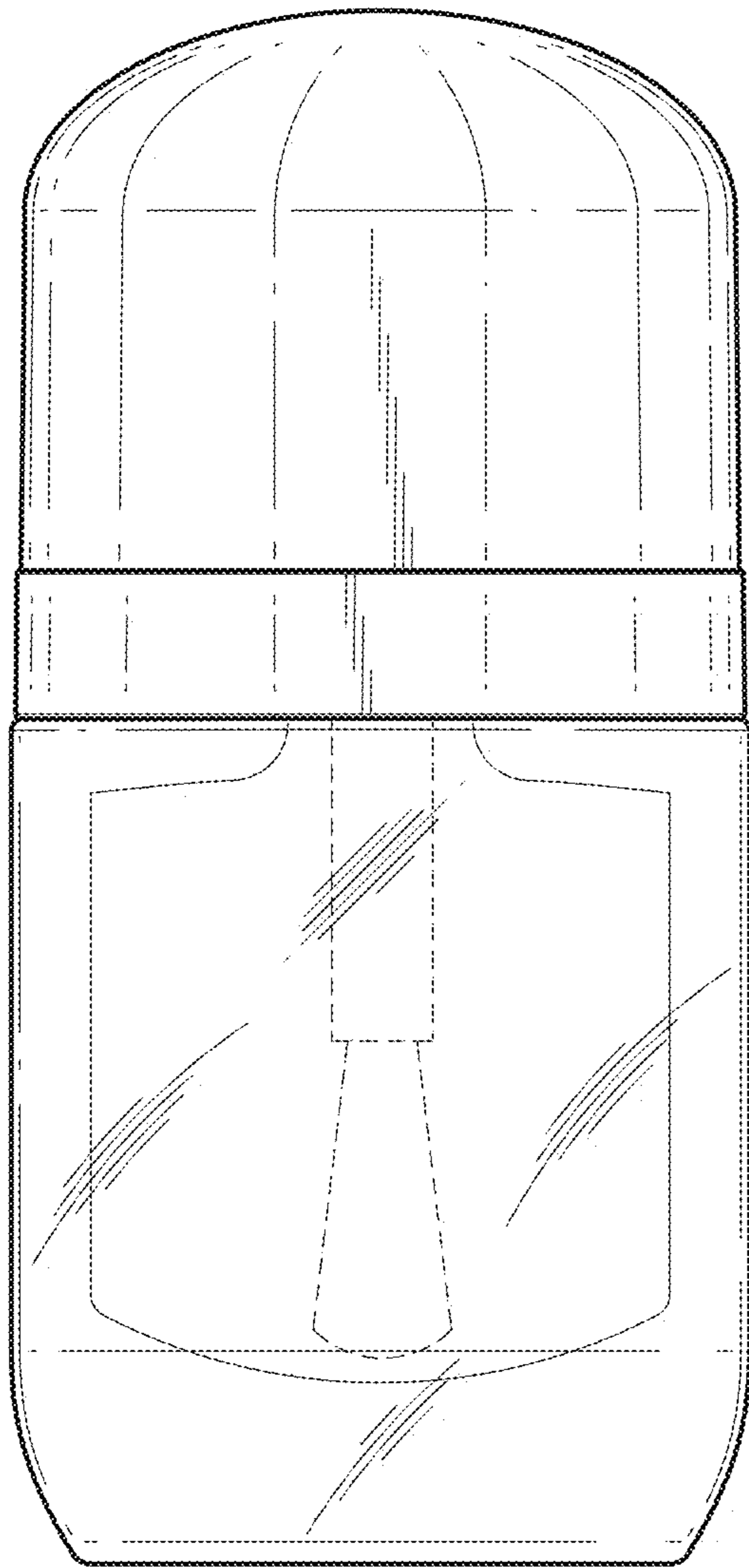
FIG. 1 is a top perspective view of a first embodiment of a bottle of my new design.  
FIG. 2 is a front view of the bottle shown in FIG. 1.  
FIG. 3 is a right side view of the bottle shown in FIG. 1.  
FIG. 4 is a rear view of the bottle shown in FIG. 1.  
FIG. 5 is a left side view of the bottle shown in FIG. 1.  
FIG. 6 is a top view of the bottle shown in FIG. 1; and,  
FIG. 7 is a bottom view of the bottle shown in FIG. 1.  
The dashed lines in FIGS. 1 through 7 depict portions of the bottle that form no part of the claimed design.

**1 Claim, 4 Drawing Sheets**

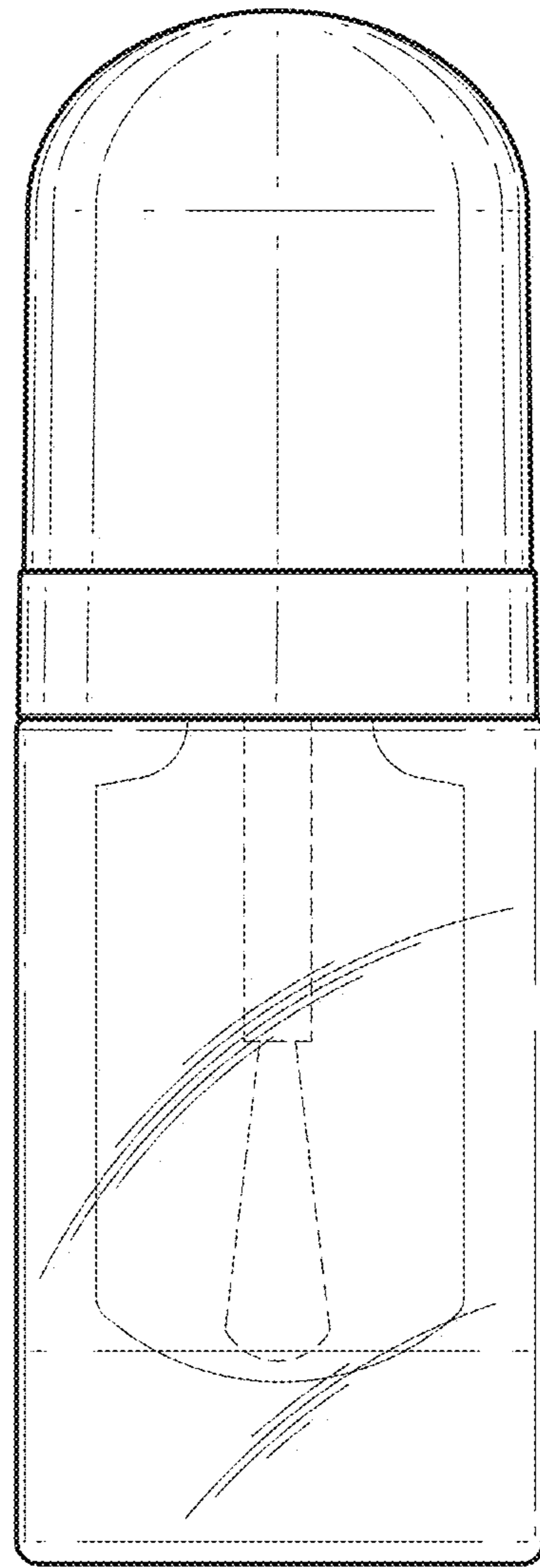




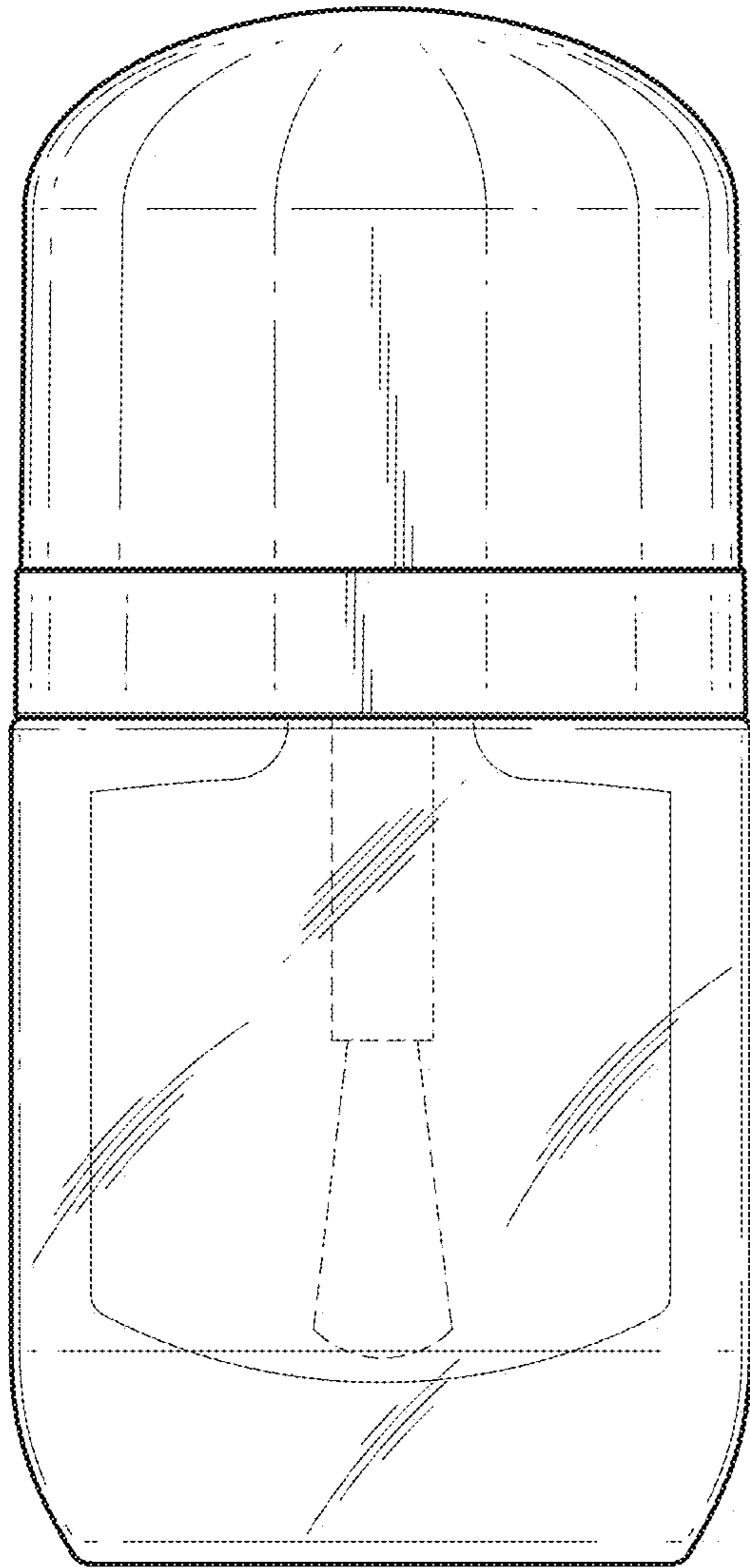
**FIG. 1**



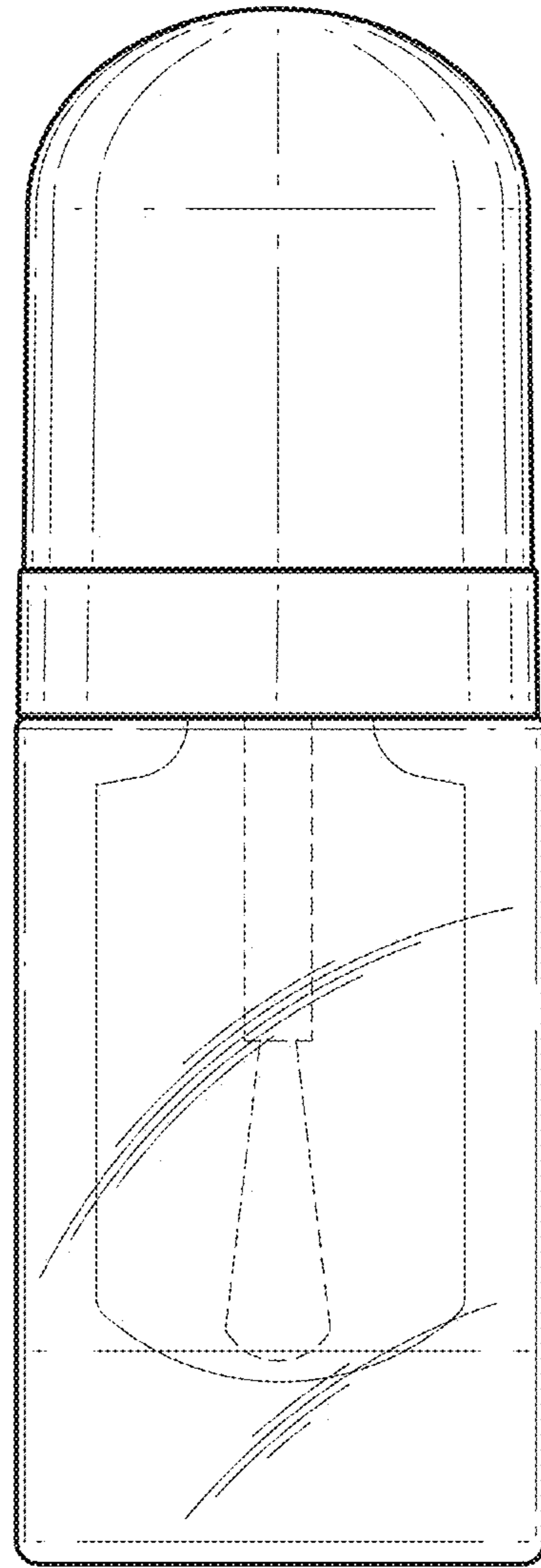
**FIG. 2**



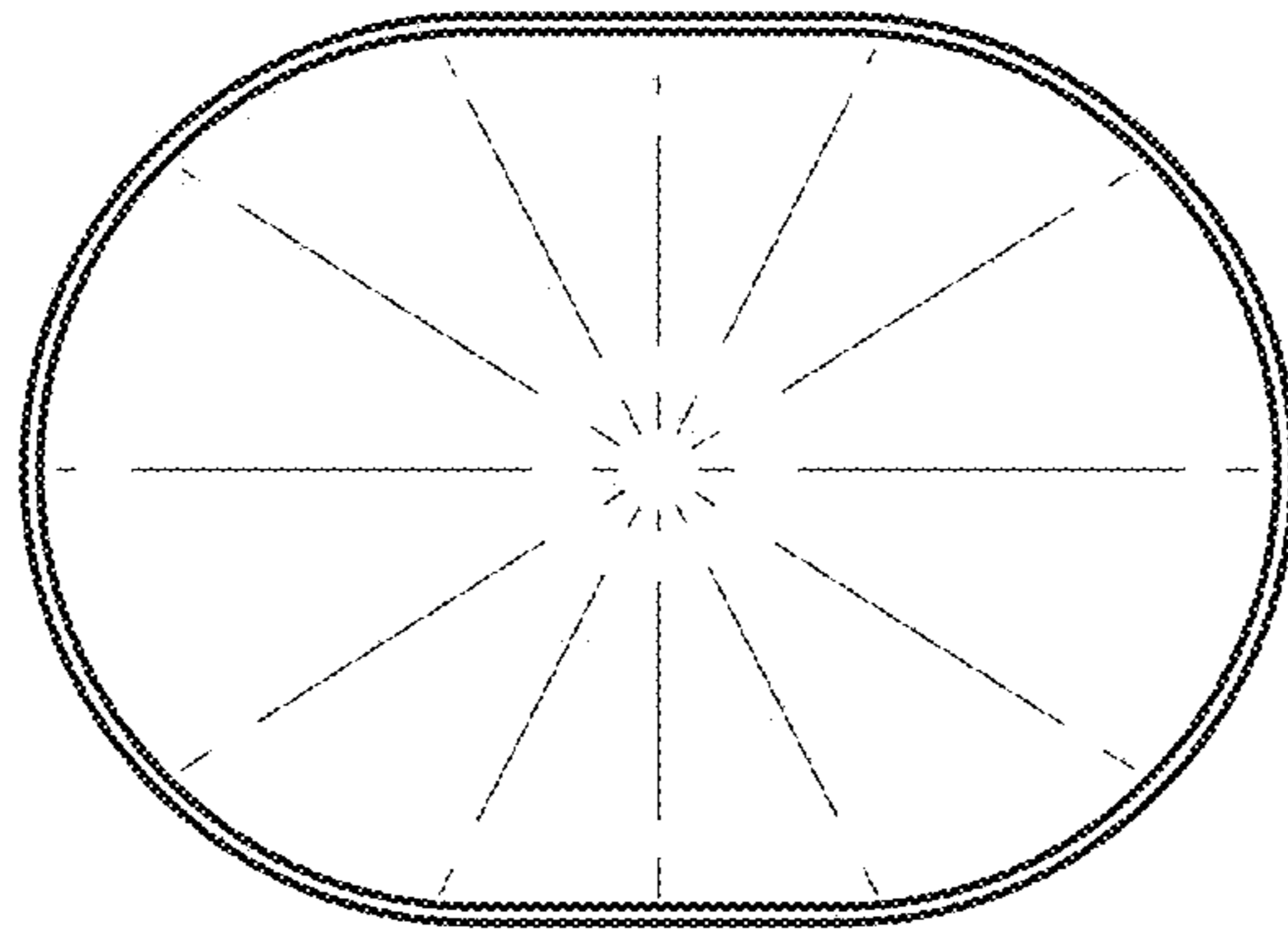
**FIG. 3**



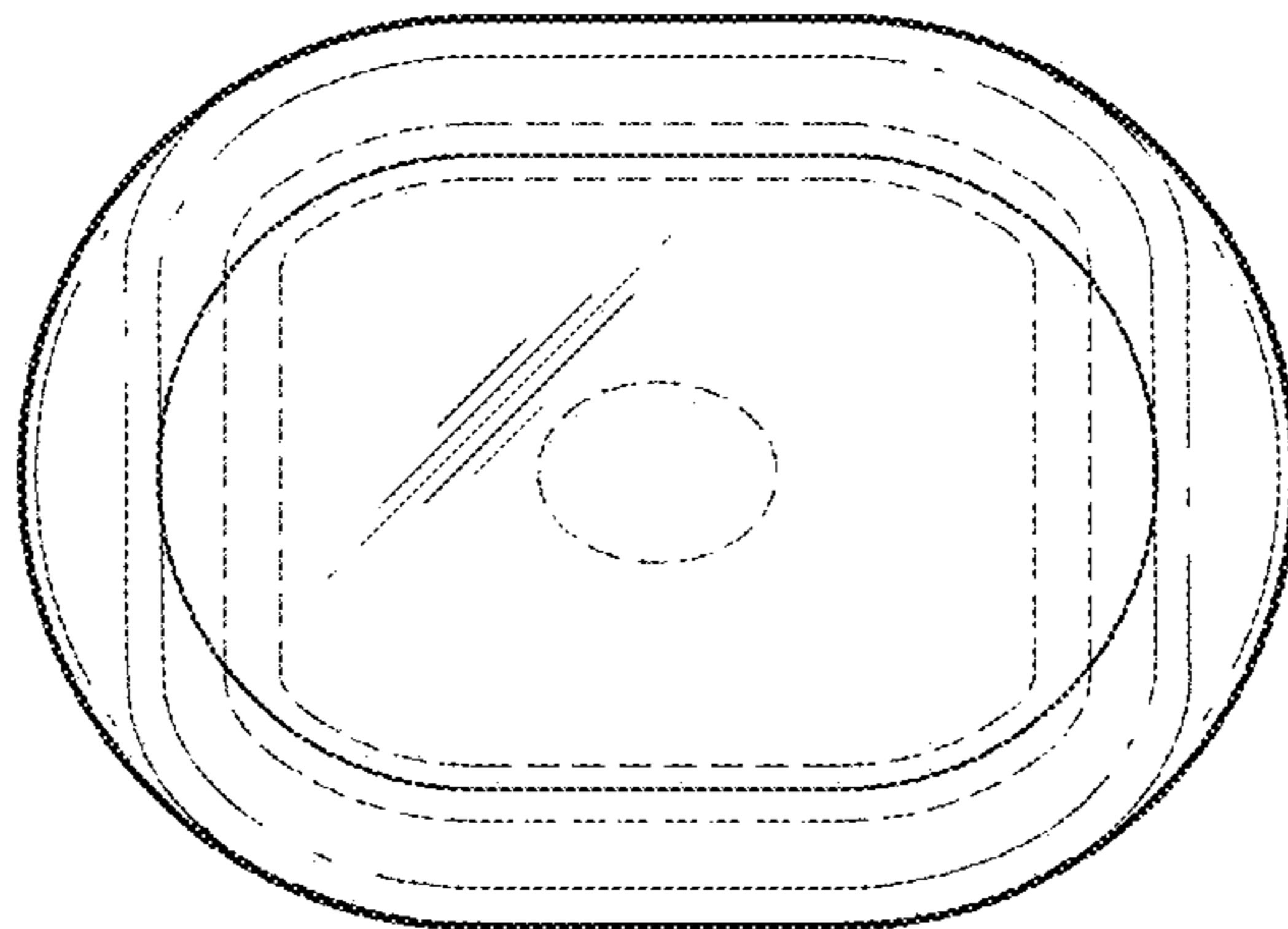
**FIG. 4**



**FIG. 5**



**FIG. 6**



**FIG. 7**