



US00D986062S

(12) **United States Design Patent**
Zhang et al.

(10) **Patent No.:** **US D986,062 S**

(45) **Date of Patent:** **** May 16, 2023**

- (54) **BUFFER PACKAGING**
- (71) Applicant: **Ningbo Yunzhong Protective Equipment Co., Ltd., Ningbo (CN)**
- (72) Inventors: **Yiran Zhang, Ningbo (CN); Bosong Zhang, Langfang (CN)**
- (73) Assignee: **NINGBO YUNZHONG PROTECTIVE EQUIPMENT CO., LTD., Ningbo (CN)**

4,015,716 A * 4/1977 Nichols B65D 81/113
217/53
4,162,729 A * 7/1979 Kaiser B65D 5/5028
206/592
4,700,844 A * 10/1987 Griffith B65D 85/48
493/69

(Continued)

FOREIGN PATENT DOCUMENTS

CN 306776007 * 8/2021
CN 306939911 * 11/2021
EM 008706303-0001 * 9/2021

Primary Examiner — W. A. Teddy Falloway
Assistant Examiner — Amanda Kay Birdwell
(74) *Attorney, Agent, or Firm* — Bayramoglu Law Offices LLC

- (**) Term: **15 Years**
- (21) Appl. No.: **29/789,513**
- (22) Filed: **Sep. 28, 2021**

(57) **CLAIM**

The ornamental design for a buffer packaging, as shown and described.

(30) **Foreign Application Priority Data**

Apr. 19, 2021 (CN) 202130220987.9

- (51) **LOC (14) Cl.** **09-07**
- (52) **U.S. Cl.**
USPC **D9/456**
- (58) **Field of Classification Search**
USPC D9/424, 425, 455, 456, 722, 736, 749,
D9/756, 758, 759, 760, 761
CPC ... B65D 1/34; B65D 5/003; B65D 2585/6837
See application file for complete search history.

DESCRIPTION

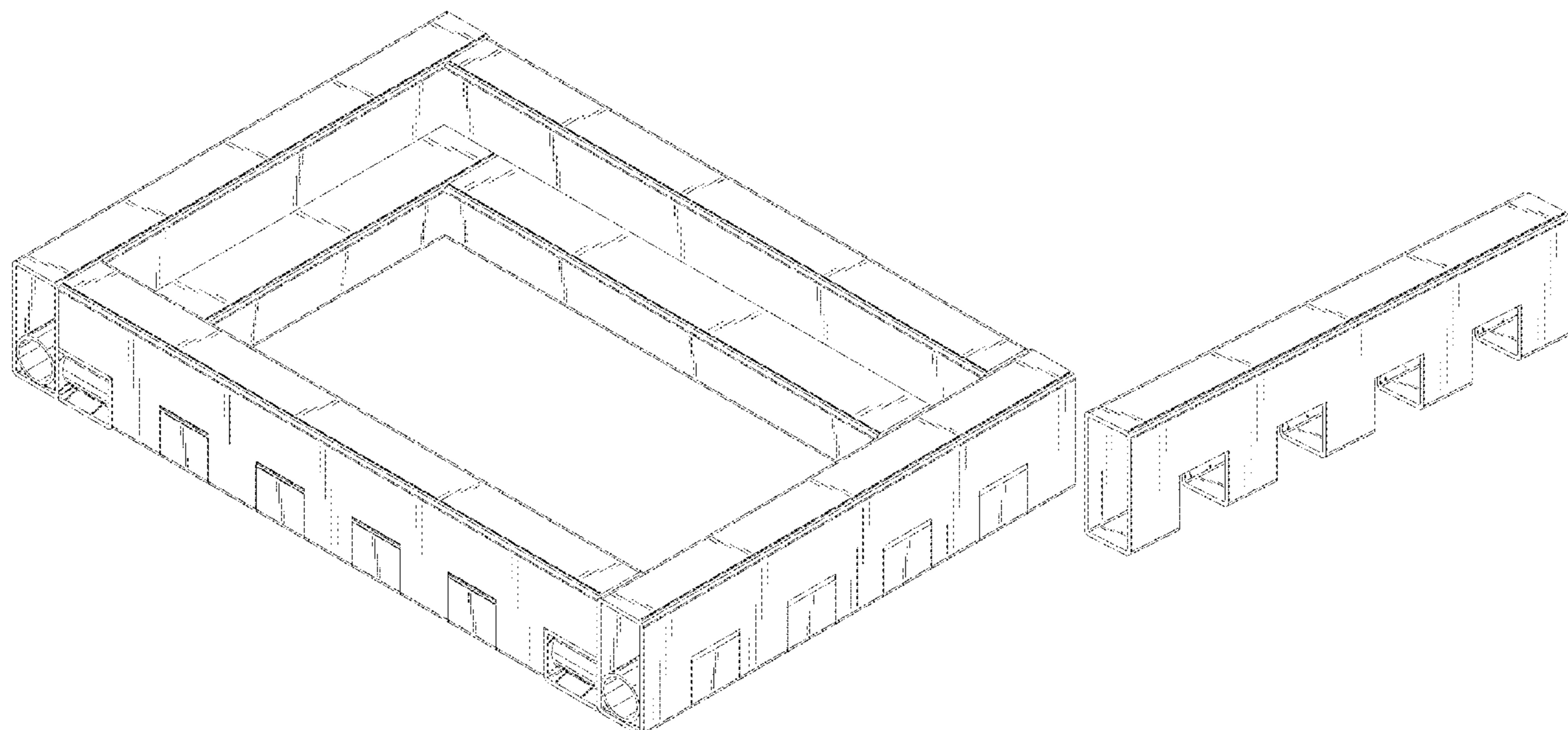
FIG. 1 is a perspective view of a buffer packaging showing our new design;
FIG. 2 is a front view thereof;
FIG. 3 is a rear view thereof;
FIG. 4 is a left side view thereof;
FIG. 5 is a right side view thereof;
FIG. 6 is a top view thereof;
FIG. 7 is a bottom view thereof;
FIG. 8 is a perspective view of a first component thereof, shown separately for completeness of illustration;
FIG. 9 is a perspective view of a second component thereof, shown separately for completeness of illustration;
FIG. 10 is a perspective view of a third component thereof, shown separately for completeness of illustration; and,
FIG. 11 is a perspective view of a combination of the first component, the second component and the third component thereof.

(56) **References Cited**

U.S. PATENT DOCUMENTS

3,173,535 A * 3/1965 Wood B65D 81/113
217/53
3,334,798 A * 8/1967 Pezely, Jr. A63F 9/1204
446/124
D228,263 S * 8/1973 Jones D3/307
3,973,721 A * 8/1976 Nakane B31B 50/52
220/678
D241,874 S * 10/1976 Berglund D11/156

1 Claim, 11 Drawing Sheets



(56)

References Cited

U.S. PATENT DOCUMENTS

4,709,817 A * 12/1987 Keady B65D 81/107
206/592
4,784,269 A * 11/1988 Griffith B65D 81/03
493/69
4,798,294 A * 1/1989 Bodi B65D 85/68
248/346.4
4,915,247 A * 4/1990 Odenthal B65D 61/00
206/453
5,161,692 A * 11/1992 Knierim B65D 81/056
206/320
D348,801 S * 7/1994 Romano D7/402
D352,516 S * 11/1994 Newman D7/554.3
D365,501 S * 12/1995 Daugherty D7/354
D425,833 S * 5/2000 Robinson D12/162
6,364,136 B1 * 4/2002 Weshler A47F 5/103
211/175
D513,757 S * 1/2006 Groleben D15/89
D584,622 S * 1/2009 Eggink D9/456
D636,622 S * 4/2011 Quinter D6/595
D704,242 S * 5/2014 Seo D16/235

D710,702 S * 8/2014 Damatov D6/300
D727,154 S * 4/2015 Lee D9/456
D774,114 S * 12/2016 Lee D15/89
D824,252 S * 7/2018 Oldham D9/432
D857,504 S * 8/2019 George D9/456
D869,165 S * 12/2019 Thurston B08B 17/025
D3/304
D869,950 S * 12/2019 George D9/456
10,937,463 B1 * 3/2021 Chen G06F 1/181
11,247,830 B2 * 2/2022 Uchida B65D 81/05
2002/0018911 A1 * 2/2002 Bernius H01G 9/2077
428/917
2003/0207053 A1 * 11/2003 Yu B65D 81/113
428/34.1
2013/0341240 A1 * 12/2013 Chen B65D 57/004
206/701
2015/0151870 A1 * 6/2015 Shin B65D 85/48
206/557
2016/0137337 A1 * 5/2016 Hsu B65D 5/304
229/195
2021/0039834 A1 * 2/2021 Cheng B65D 25/103
2022/0194682 A1 * 6/2022 Michel B65D 81/3823
2022/0258947 A1 * 8/2022 Ramirez A45C 11/18

* cited by examiner

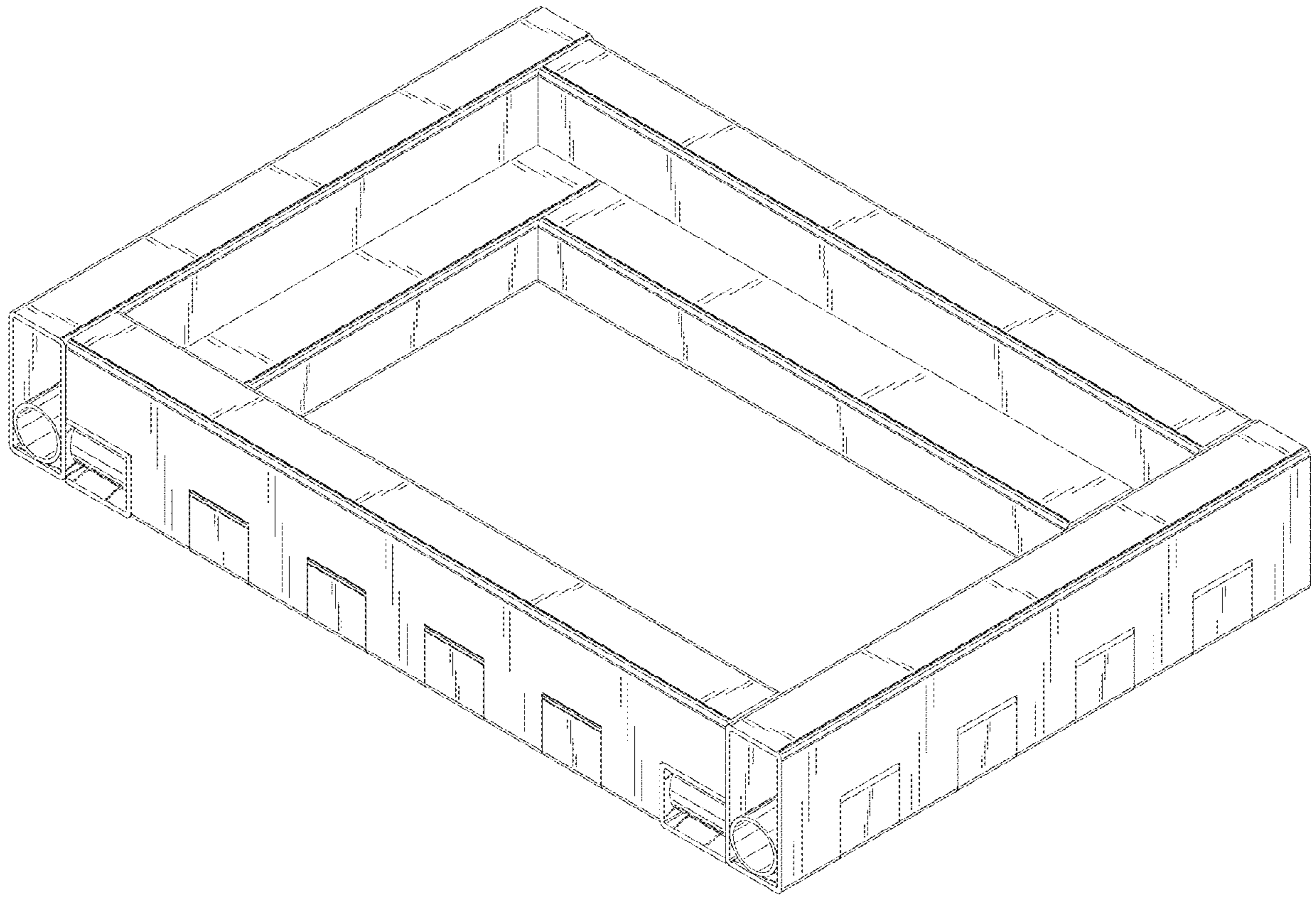


FIG. 1

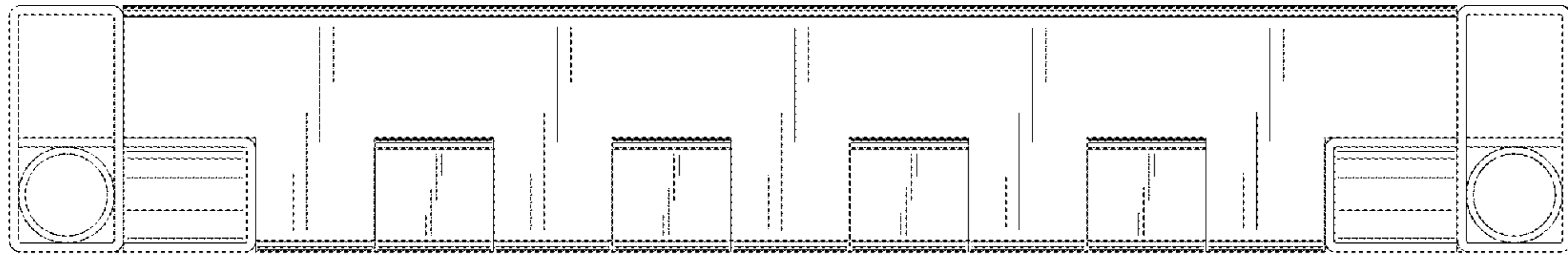


FIG. 2

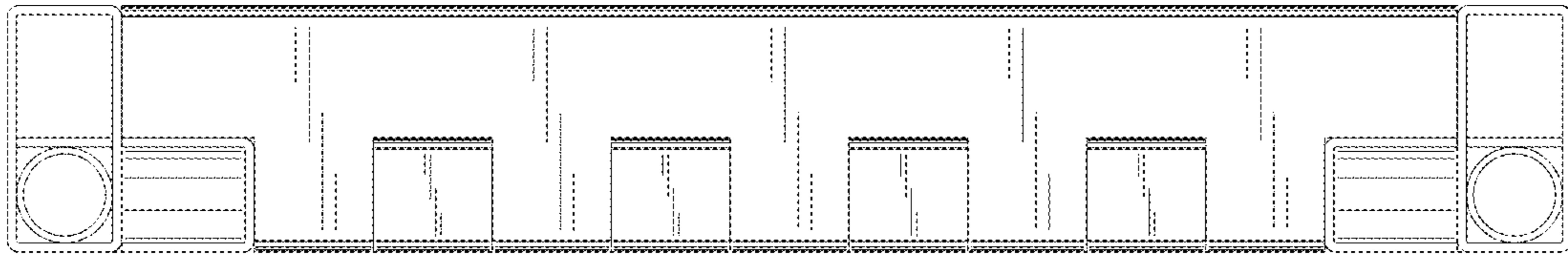


FIG. 3

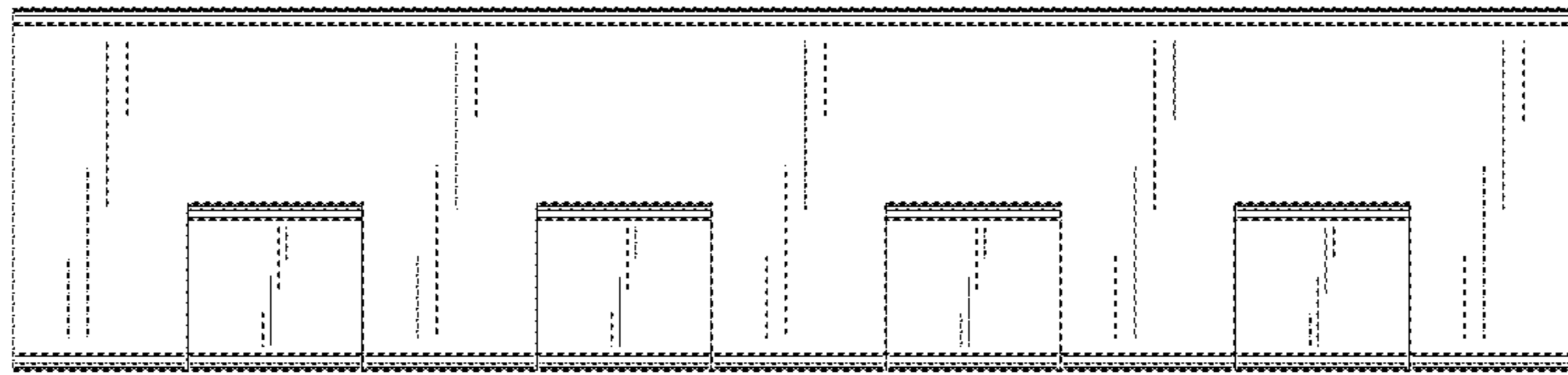


FIG. 4

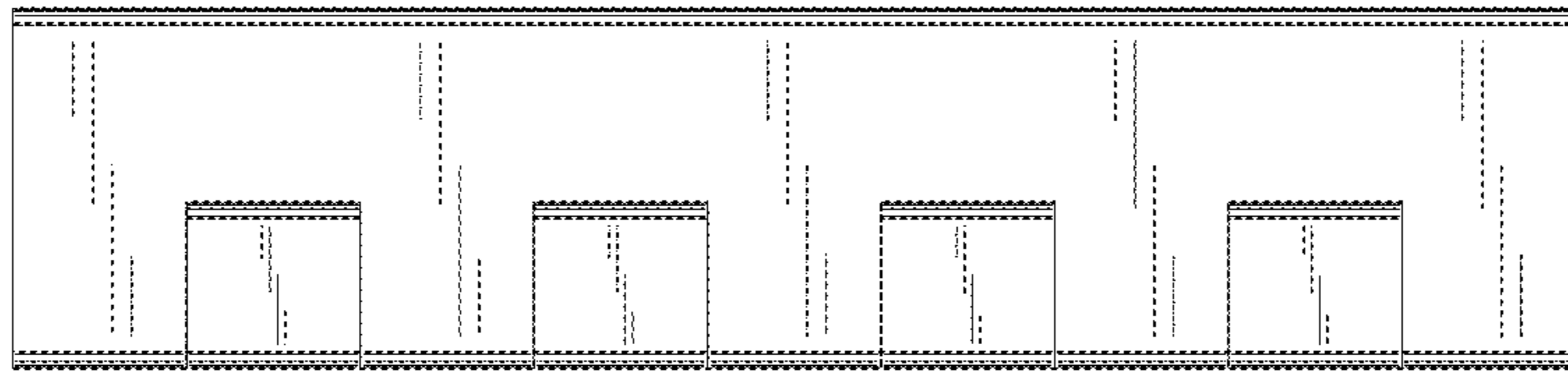


FIG. 5

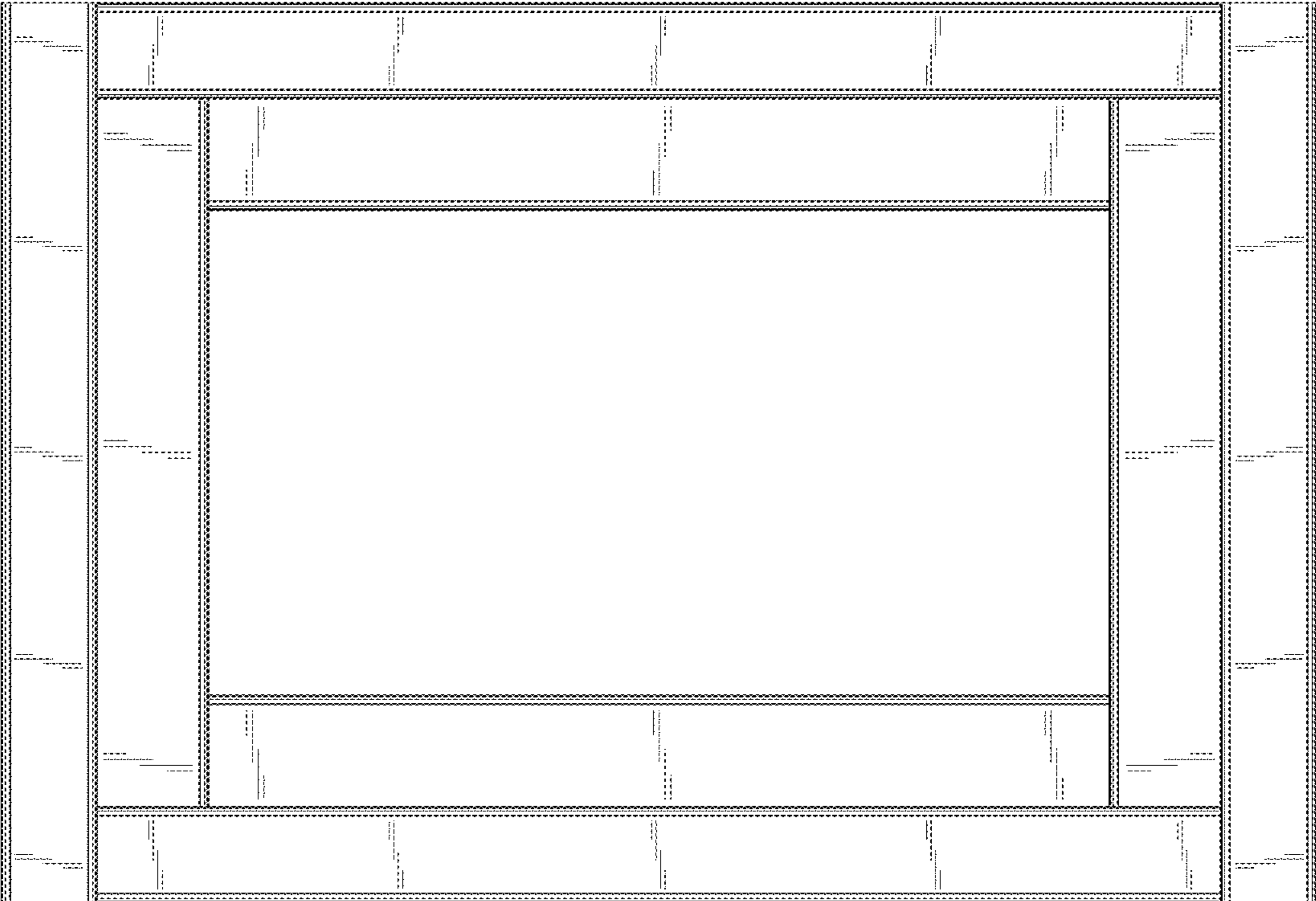


FIG. 6

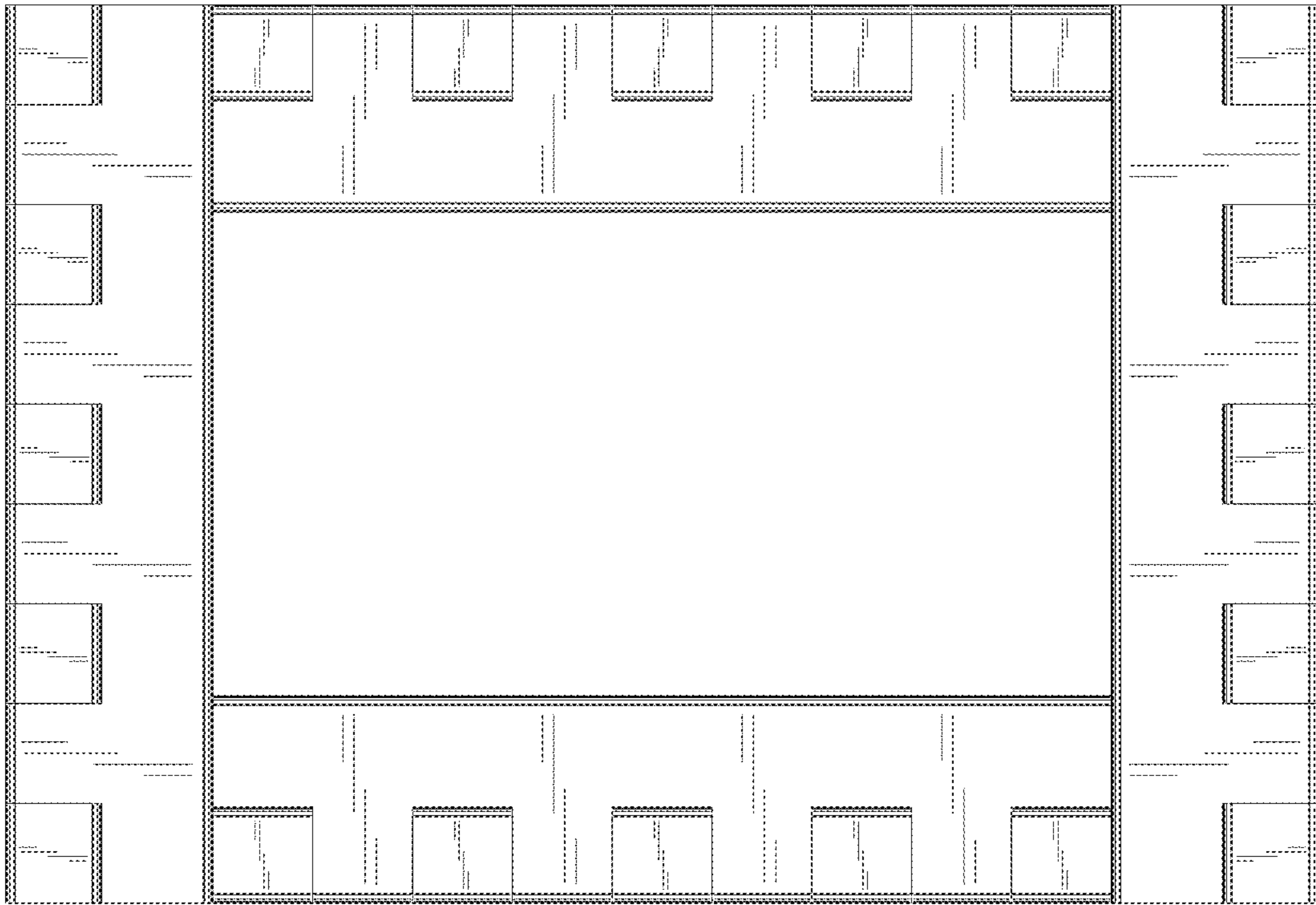


FIG. 7

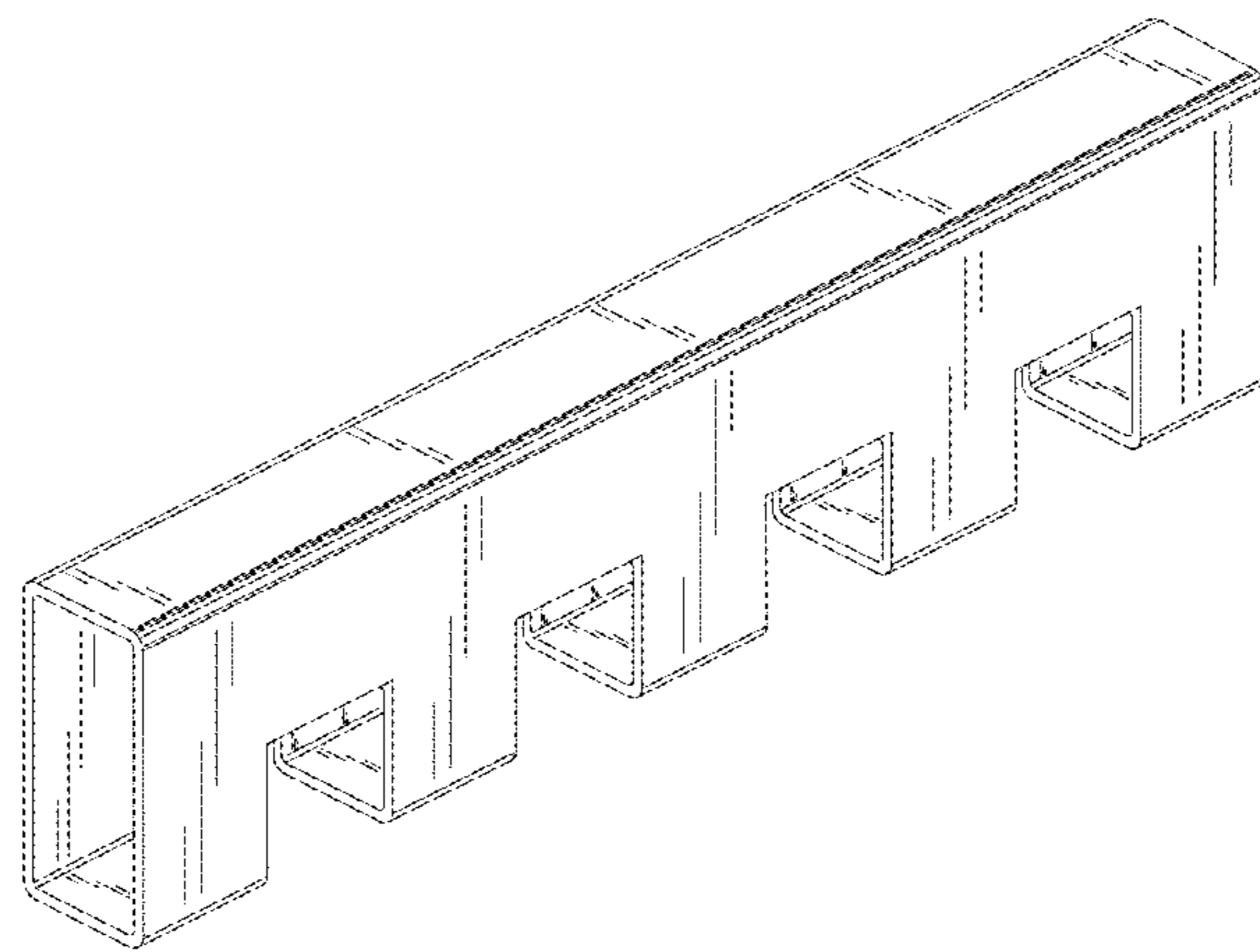


FIG. 8

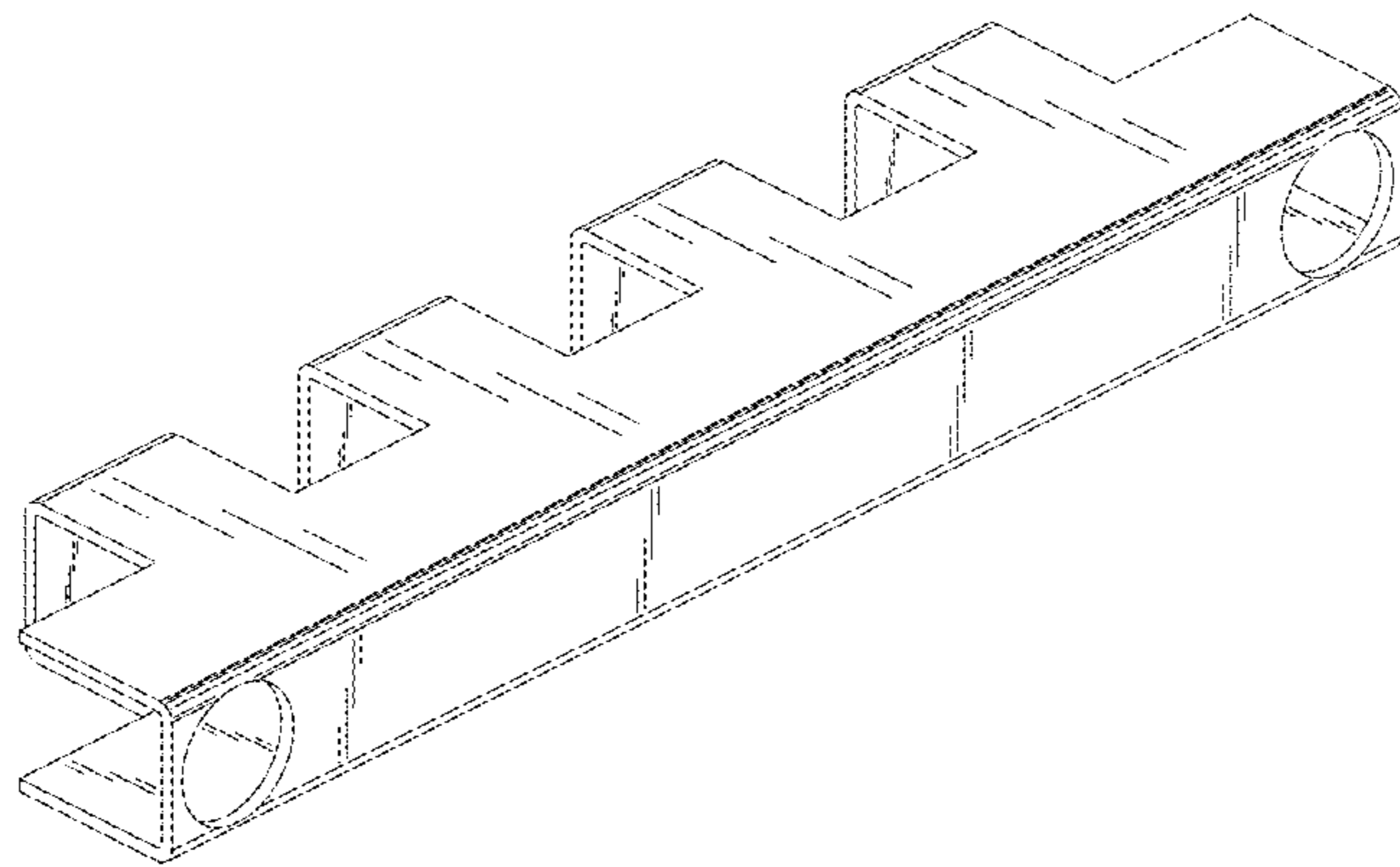


FIG. 9

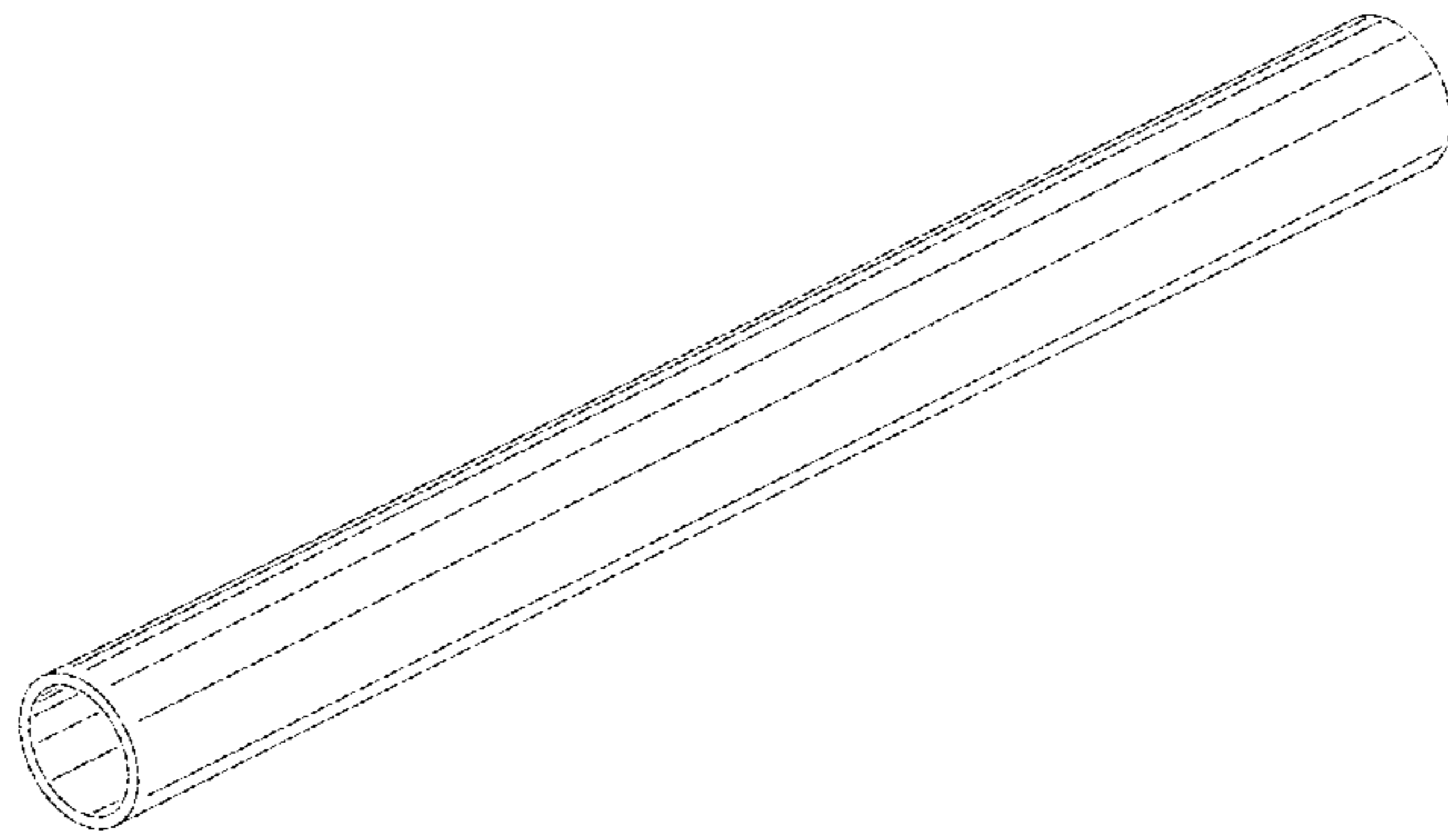


FIG. 10

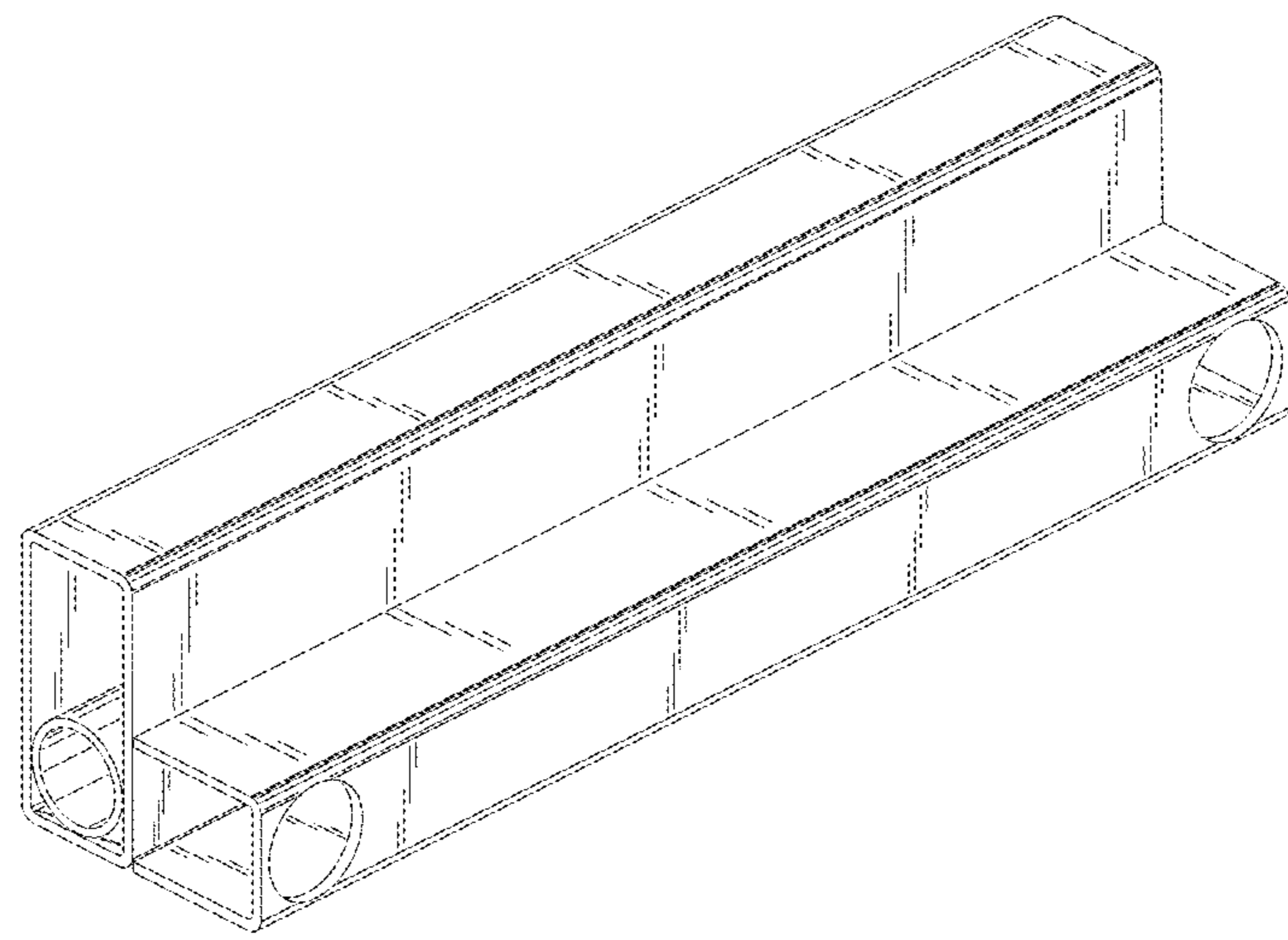


FIG. 11