



US00D986061S

(12) **United States Design Patent**
Schramski et al.

(10) **Patent No.:** **US D986,061 S**

(45) **Date of Patent:** **** May 16, 2023**

(54) **SHIPPING CAP**

(71) Applicant: **B&B MOLDERS, LLC**, Mishawaka, IN (US)

(72) Inventors: **Adam Schramski**, Granger, IN (US);
Mike Dittrich, Granger, IN (US)

(73) Assignee: **B&B Molders, LLC**, Mishawaka, IN (US)

(**) Term: **15 Years**

(21) Appl. No.: **29/751,085**

(22) Filed: **Sep. 18, 2020**

(51) **LOC (14) Cl.** **09-07**

(52) **U.S. Cl.**
USPC **D9/453**

(58) **Field of Classification Search**
USPC D7/392.1, 396.2; D9/440, 443, 447, 449,
D9/452-454, 499, 702, 705, 708, 711,
D9/714, 434-436, 452-456; D3/272
CPC . B65D 81/38; B65D 81/3823; B65D 81/3876
See application file for complete search history.

(56) **References Cited**

U.S. PATENT DOCUMENTS

3,065,875 A * 11/1962 Negoro B65D 43/0212
229/125.17
D279,803 S * 7/1985 Manning D9/453

D419,071 S * 1/2000 Peters D9/449
D433,275 S * 11/2000 Betras D7/392.1
D636,673 S * 4/2011 Lohrman D9/449
D821,149 S * 6/2018 McClellan D9/708
D885,124 S * 5/2020 Yessin D7/396.2
D906,116 S * 12/2020 Liu D9/503
D953,878 S * 6/2022 Palican D9/705
D972,932 S * 12/2022 Borg D9/453
D974,175 S * 1/2023 Berroa García D9/453
2018/0170626 A1 * 6/2018 Kwon B65D 75/5883

* cited by examiner

Primary Examiner — Darcey E Gottschalk

(74) *Attorney, Agent, or Firm* — Harness, Dickey & Pierce, P.L.C.; Stephen T. Olson

(57) **CLAIM**

The ornamental design for a shipping cap, as shown and described.

DESCRIPTION

FIG. 1 is a perspective view of a shipping cap in accordance with our design.

FIG. 2 is a front view thereof.

FIG. 3 is a rear view thereof.

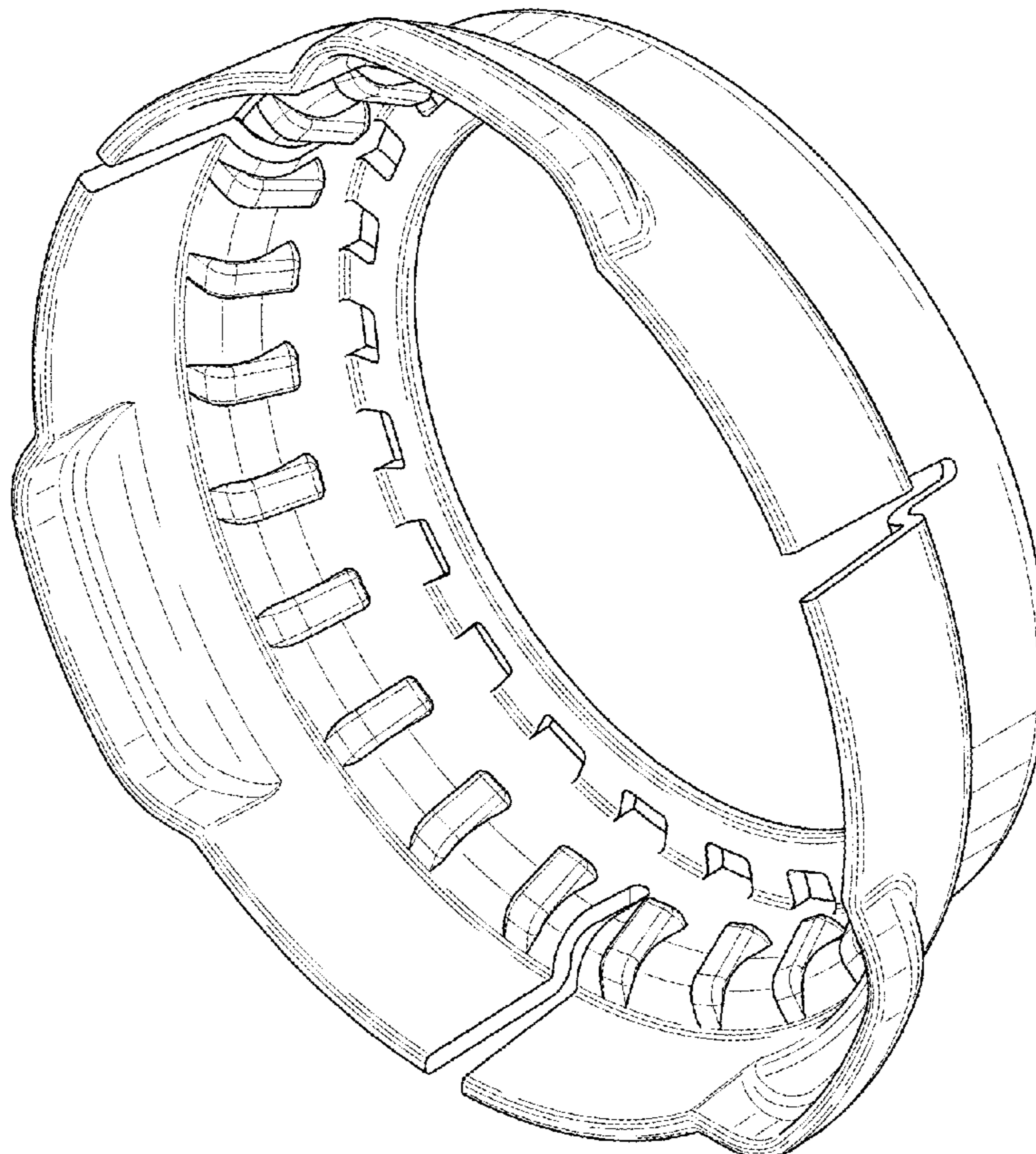
FIG. 4 is a left side view thereof.

FIG. 5 is a right side view thereof.

FIG. 6 is a top view thereof; and,

FIG. 7 is a bottom view thereof.

1 Claim, 4 Drawing Sheets



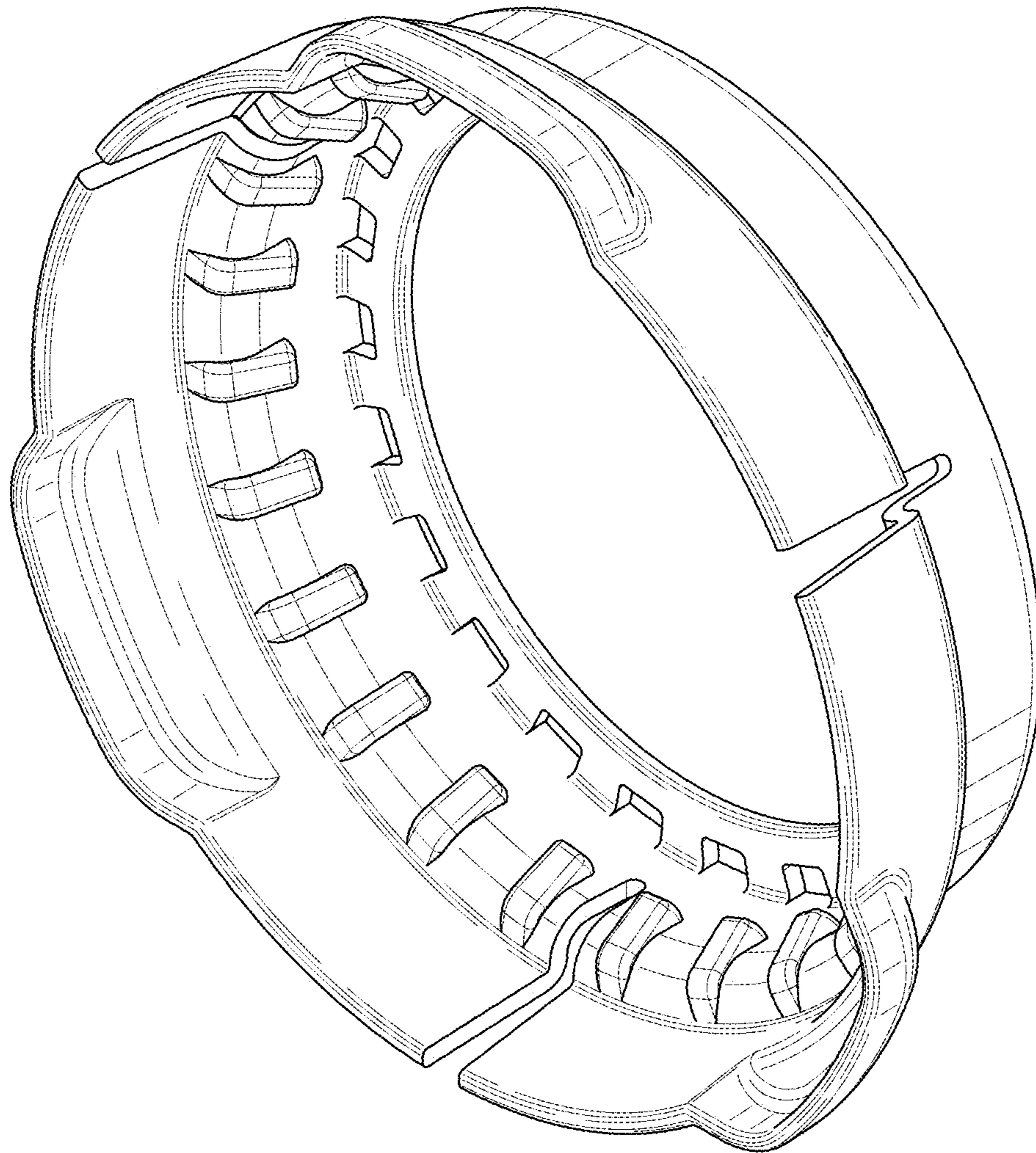


FIG. 1

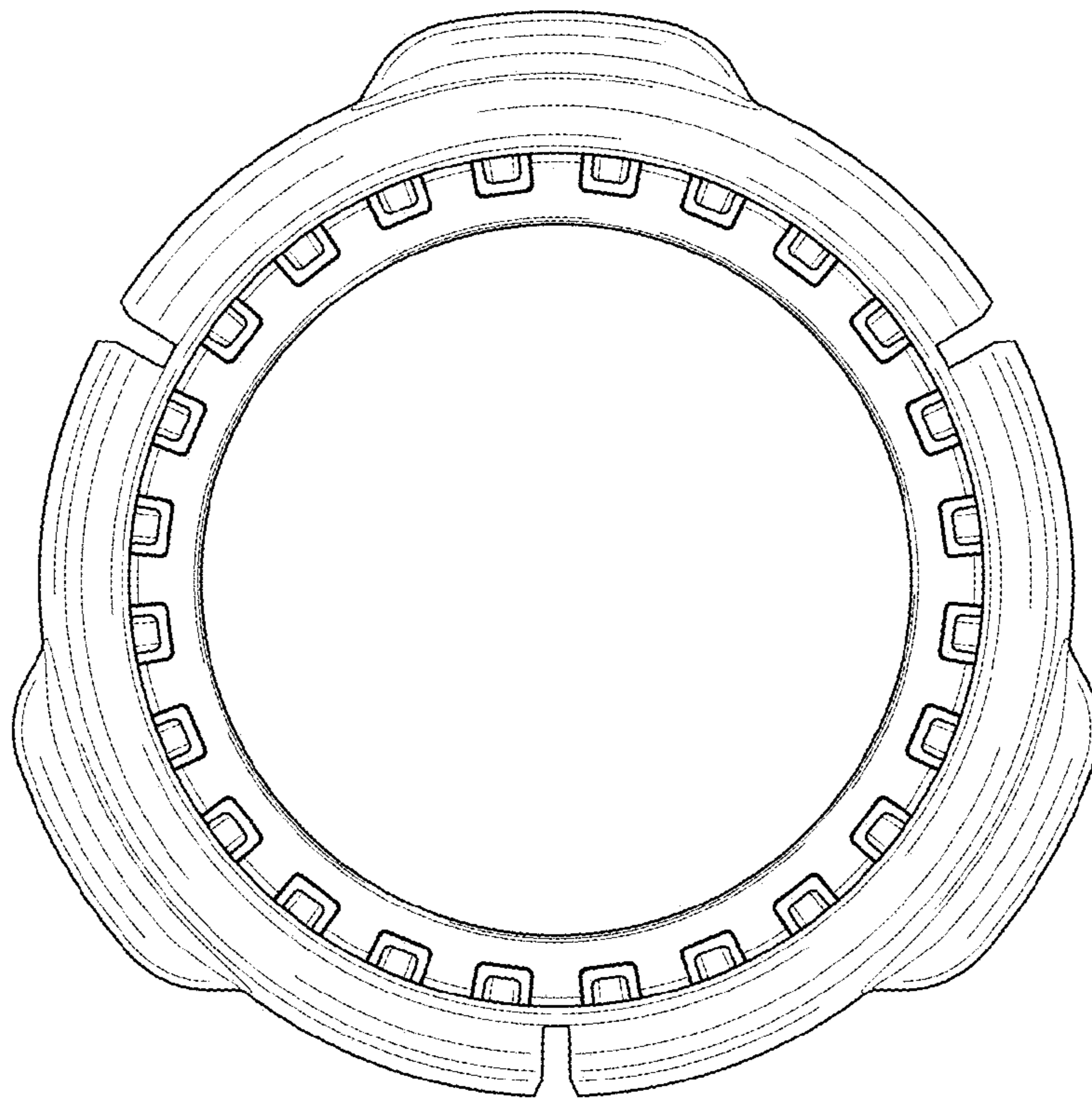


FIG. 2

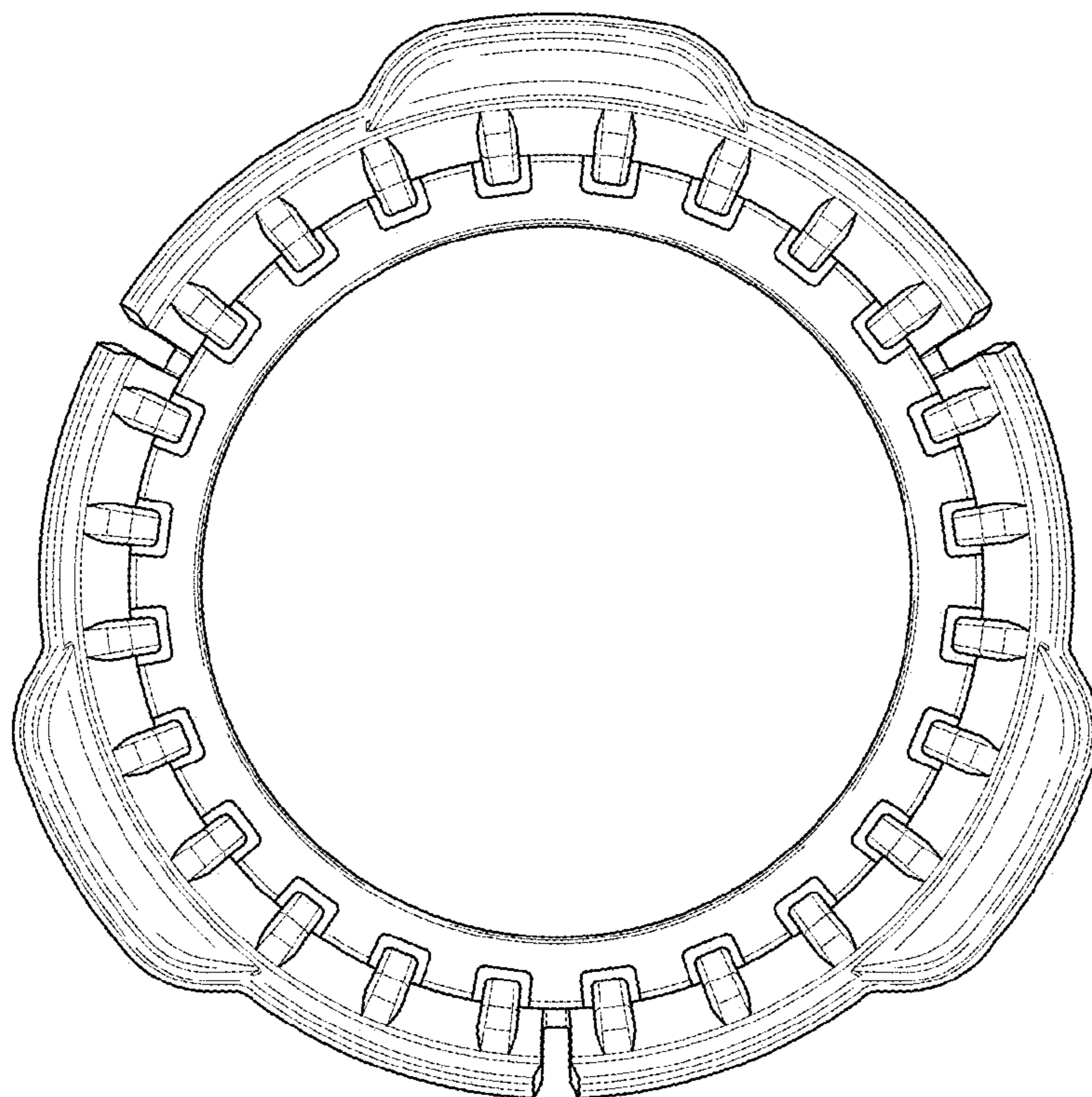


FIG. 3

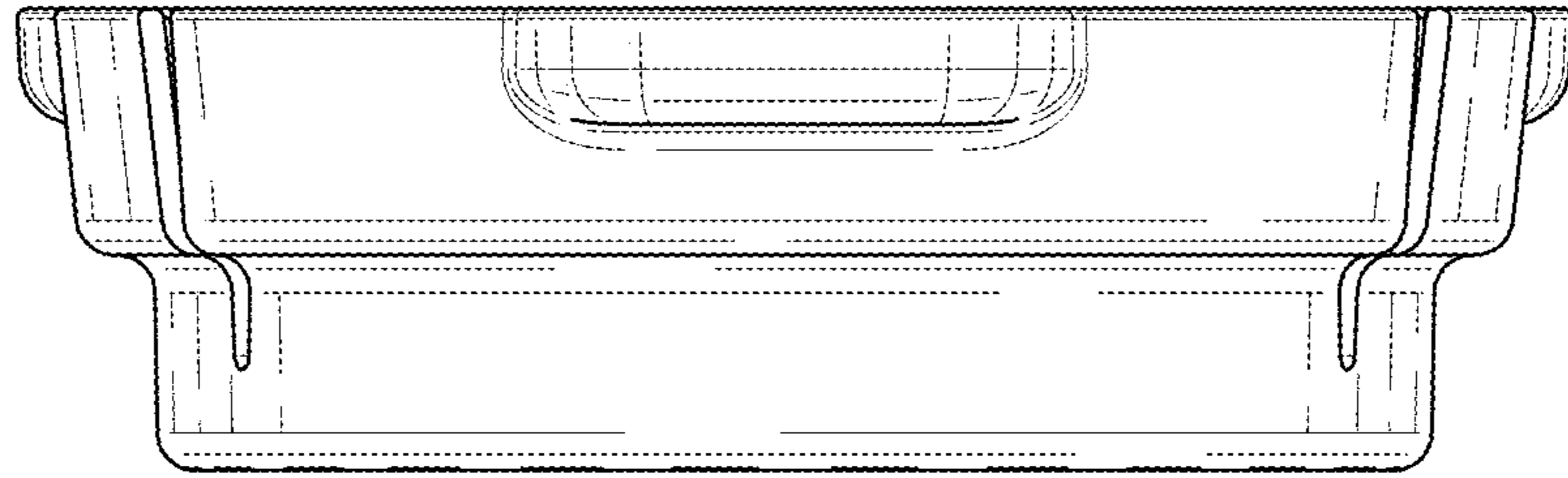


FIG. 4

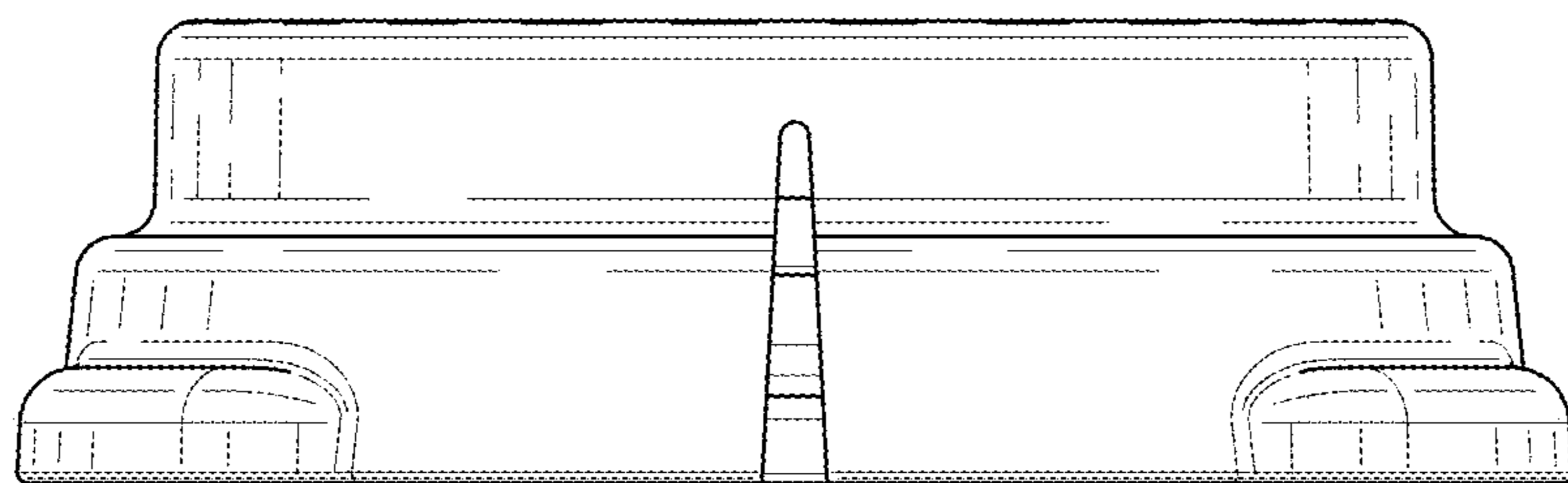


FIG. 5

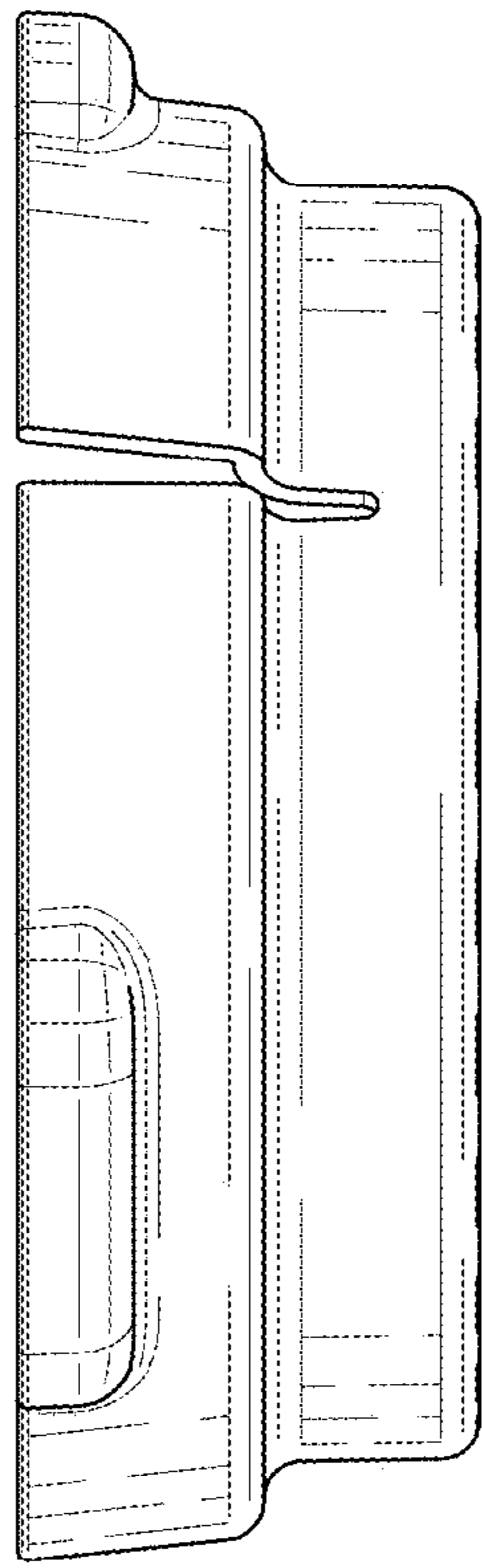


FIG. 6

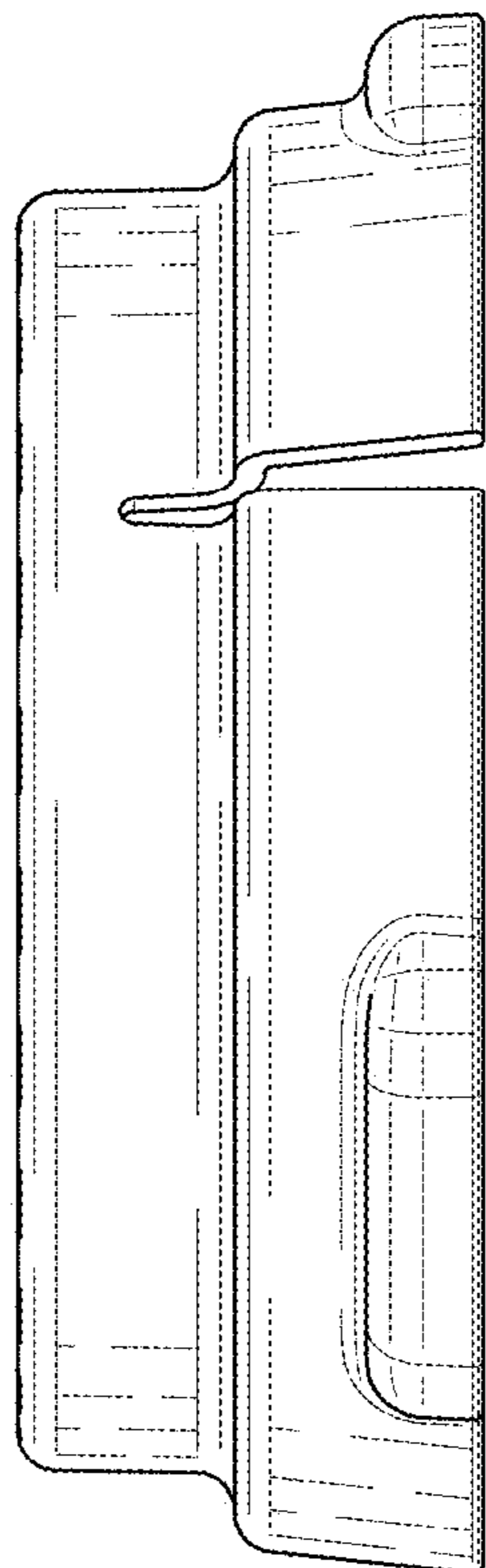


FIG. 7