



US00D986060S

(12) **United States Design Patent** (10) **Patent No.:** **US D986,060 S**  
**Martella** (45) **Date of Patent:** **\*\* May 16, 2023**

(54) **WATER BOTTLE CAP**  
(71) Applicant: **UNITED STATES ENDOSCOPY GROUP, INC.**, Mentor, OH (US)  
(72) Inventor: **Tony Martella**, Mentor, OH (US)  
(73) Assignee: **UNITED STATES ENDOSCOPY GROUP, INC.**, Mentor, OH (US)  
(\*\*) Term: **15 Years**  
(21) Appl. No.: **29/736,045**  
(22) Filed: **May 27, 2020**  
(51) **LOC (14) Cl.** ..... **09-07**  
(52) **U.S. Cl.**  
USPC ..... **D9/447; D9/452; D7/396.2**  
(58) **Field of Classification Search**  
USPC .... D7/392, 392.1, 396.2, 398; D9/439, 440, D9/443, 447, 452-454, 499, 434-436, D9/723, 724, 728, 730  
CPC ..... B65D 41/00; B65D 41/04; B65D 41/26  
See application file for complete search history.

D642,918 S \* 8/2011 Taylor ..... D9/453  
D656,819 S \* 4/2012 Porter ..... D9/436  
D673,814 S \* 1/2013 Honein ..... D7/590  
D675,096 S \* 1/2013 Obrist ..... D9/453  
D681,464 S \* 5/2013 Taylor ..... D9/453  
D706,631 S \* 6/2014 Wilson ..... D9/436  
9,144,373 B2 9/2015 Kaye et al.

(Continued)

**FOREIGN PATENT DOCUMENTS**

EP 2627235 B1 8/2013  
WO 2017173426 A1 10/2017

**OTHER PUBLICATIONS**

Seris. AquaShield® Water Bottle System. No date specified. <https://www.steris.com/healthcare/products/endoscopy-devices/gi-bleed-management-and-irrigation/aquashield-water-bottle-system> (Year: 0).\*  
(Continued)

*Primary Examiner* — Darcey E Gottschalk  
(74) *Attorney, Agent, or Firm* — Calfee, Halter & Griswold LLP

(57) **CLAIM**

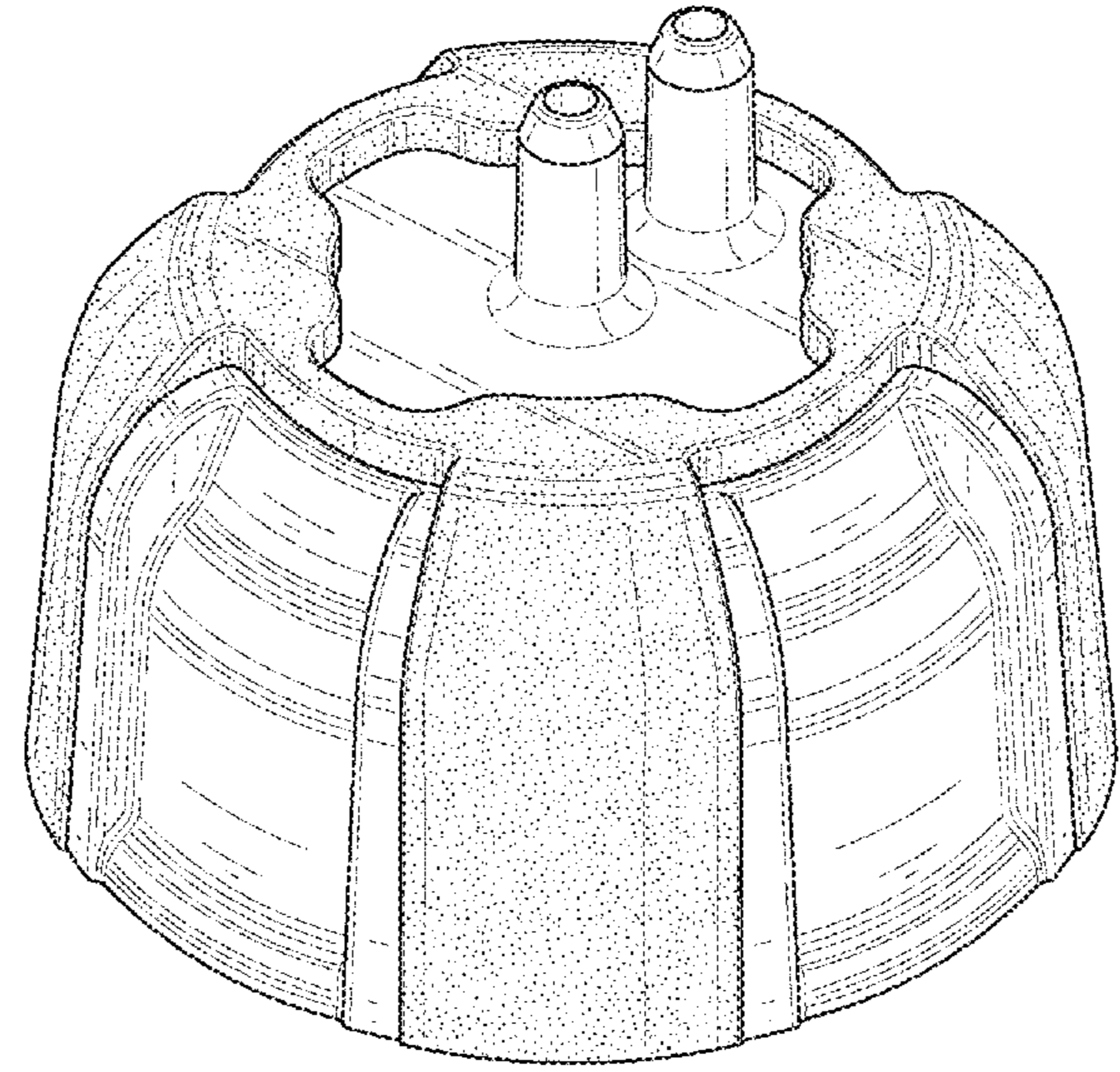
I claim the ornamental design for a water bottle cap, as shown and described.

**DESCRIPTION**

FIG. 1 is top-side perspective view of a water bottle cap design;  
FIG. 2 is a front view of the water bottle cap;  
FIG. 3 is a rear view of the water bottle cap;  
FIG. 4 is a side view of the water bottle cap;  
FIG. 5 is another side view of the water bottle cap;  
FIG. 6 is a top view of the water bottle cap; and,  
FIG. 7 is a bottom view of the water bottle cap.  
In the drawings, the broken lines show portions of a water bottle cap that form no part of the claim.

**1 Claim, 7 Drawing Sheets**

(56) **References Cited**  
**U.S. PATENT DOCUMENTS**  
D114,053 S \* 4/1939 Barnes ..... D9/453  
D123,648 S \* 11/1940 Holdren ..... D9/453  
D137,702 S \* 4/1944 Conman ..... D9/453  
D156,280 S \* 11/1949 Rosenthal ..... D12/400  
D225,308 S \* 12/1972 Barefoot ..... D9/453  
D327,016 S \* 6/1992 Leuenberger ..... D9/453  
D349,647 S \* 8/1994 Moffitt ..... D9/435  
D433,275 S \* 11/2000 Betras ..... D7/392.1  
6,210,322 B1 4/2001 Byrne  
6,485,412 B1 11/2002 Byrne  
D494,468 S \* 8/2004 Vovan ..... D9/429  
D528,925 S \* 9/2006 Barone ..... D9/724  
D580,758 S \* 11/2008 Lacov ..... D9/435  
D590,255 S \* 4/2009 Maxwell ..... D9/454  
D616,822 S \* 6/2010 Zayas ..... D13/134  
D630,044 S \* 1/2011 Lane ..... D7/392.1



(56)

**References Cited**

U.S. PATENT DOCUMENTS

D744,857 S \* 12/2015 Gieske ..... D9/435  
 D748,776 S \* 2/2016 Brannon ..... D24/121  
 D757,546 S \* 5/2016 Seifer ..... D9/453  
 9,731,875 B2 \* 8/2017 Wilson ..... B65D 47/42  
 D832,795 S \* 11/2018 Maegawa ..... D13/156  
 D837,976 S \* 1/2019 Kaye ..... D24/121  
 10,456,014 B2 \* 10/2019 Wolcott ..... A61B 1/00137  
 D872,521 S \* 1/2020 Sitwell ..... D7/392.1  
 10,653,255 B1 5/2020 Trawinski  
 D895,421 S \* 9/2020 Laible ..... D9/436  
 D899,925 S \* 10/2020 Laible ..... D9/436  
 D902,430 S \* 11/2020 Jones ..... D24/224  
 D932,048 S \* 9/2021 Laible ..... D24/220  
 D936,731 S \* 11/2021 Jin ..... D9/434  
 D954,497 S \* 6/2022 Roberts ..... D7/392.1  
 D957,184 S \* 7/2022 McCready ..... D7/392.1  
 D957,877 S \* 7/2022 Waggoner ..... D7/392.1  
 2008/0308554 A1 12/2008 Farrar et al.  
 2010/0133227 A1 6/2010 Ver Hage  
 2011/0263939 A1 10/2011 Kaye et al.  
 2015/0297063 A1 10/2015 Wolcott et al.

2017/0280976 A1\* 10/2017 Roberts ..... A61B 1/12  
 2019/0090725 A1 3/2019 Roberts  
 2019/0110665 A1\* 4/2019 Mann ..... A61B 1/00128  
 2019/0117046 A1 4/2019 Briggs

OTHER PUBLICATIONS

AquaShield® water bottle system. Mar. 2015. <https://www.boucartmedical.com/wp-content/uploads/2015/03/aquashield.pdf> (Year: 2015).\*

Steris Endoscopy. Irrigation Accessories. Mar. 2022. <https://diagmed.healthcare/wp-content/uploads/2022/03/Irrigation-Accessories.pdf> (Year: 2022).\*

Invitation to Pay Additional Fees from PCT/2021/034502 dated Sep. 16, 2021 (14 Pages).

International Search Report from PCT/2021/034502 dated Dec. 14, 2021.

Endo SmartCap Brochure: [http://www.medivators.com/sites/default/files/pdf/50098-246D\\_ENDOGATOR\\_SMARTCAP.pdf](http://www.medivators.com/sites/default/files/pdf/50098-246D_ENDOGATOR_SMARTCAP.pdf).

Erbeflo CleverCap Brochure: [https://us.erbe-med.com/fileadmin/user\\_upload/ERBEFLO-CleverCap-\\_MKT5058-03-2017-01\\_.pdf](https://us.erbe-med.com/fileadmin/user_upload/ERBEFLO-CleverCap-_MKT5058-03-2017-01_.pdf).

\* cited by examiner

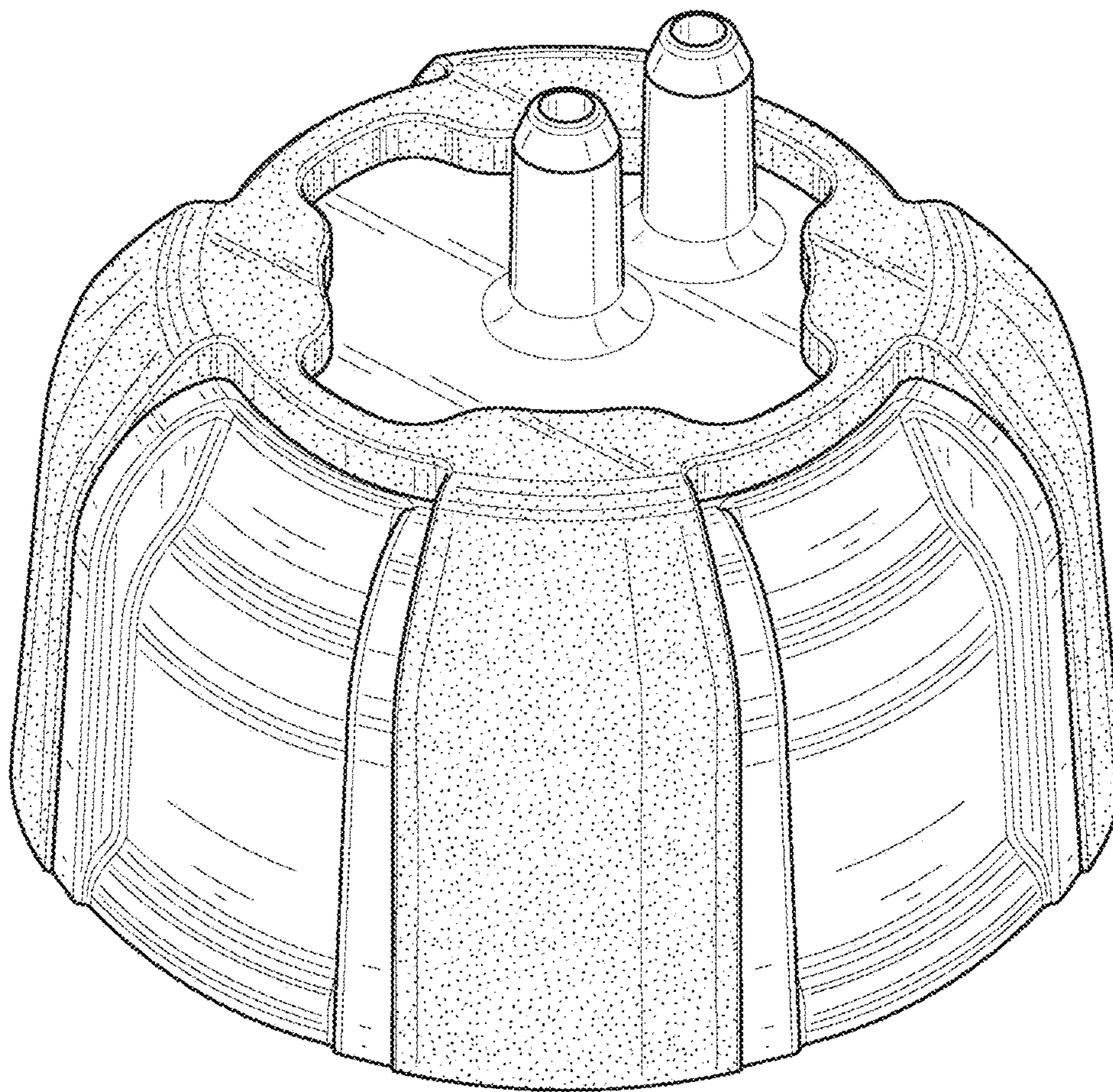


FIG. 1

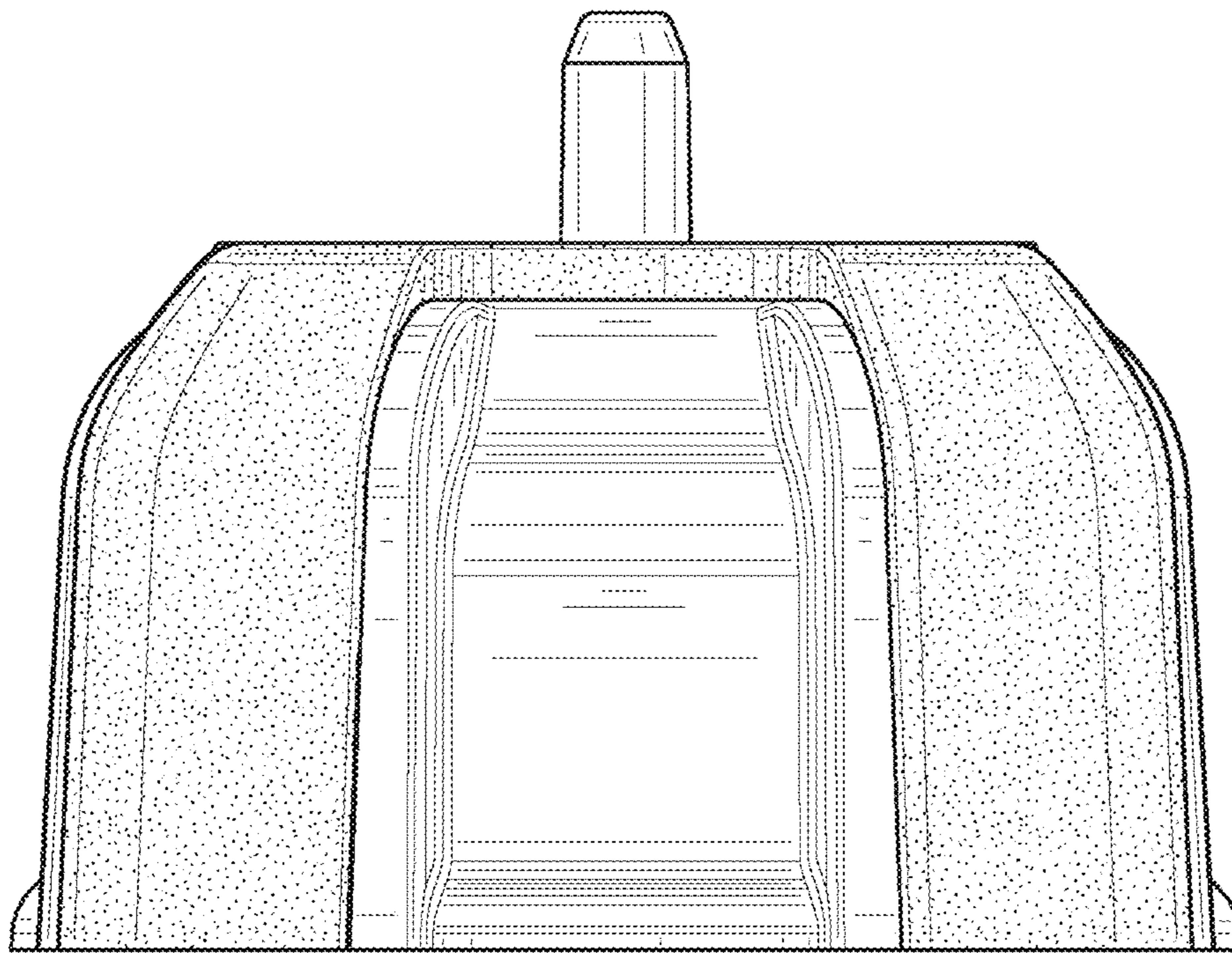


FIG. 2

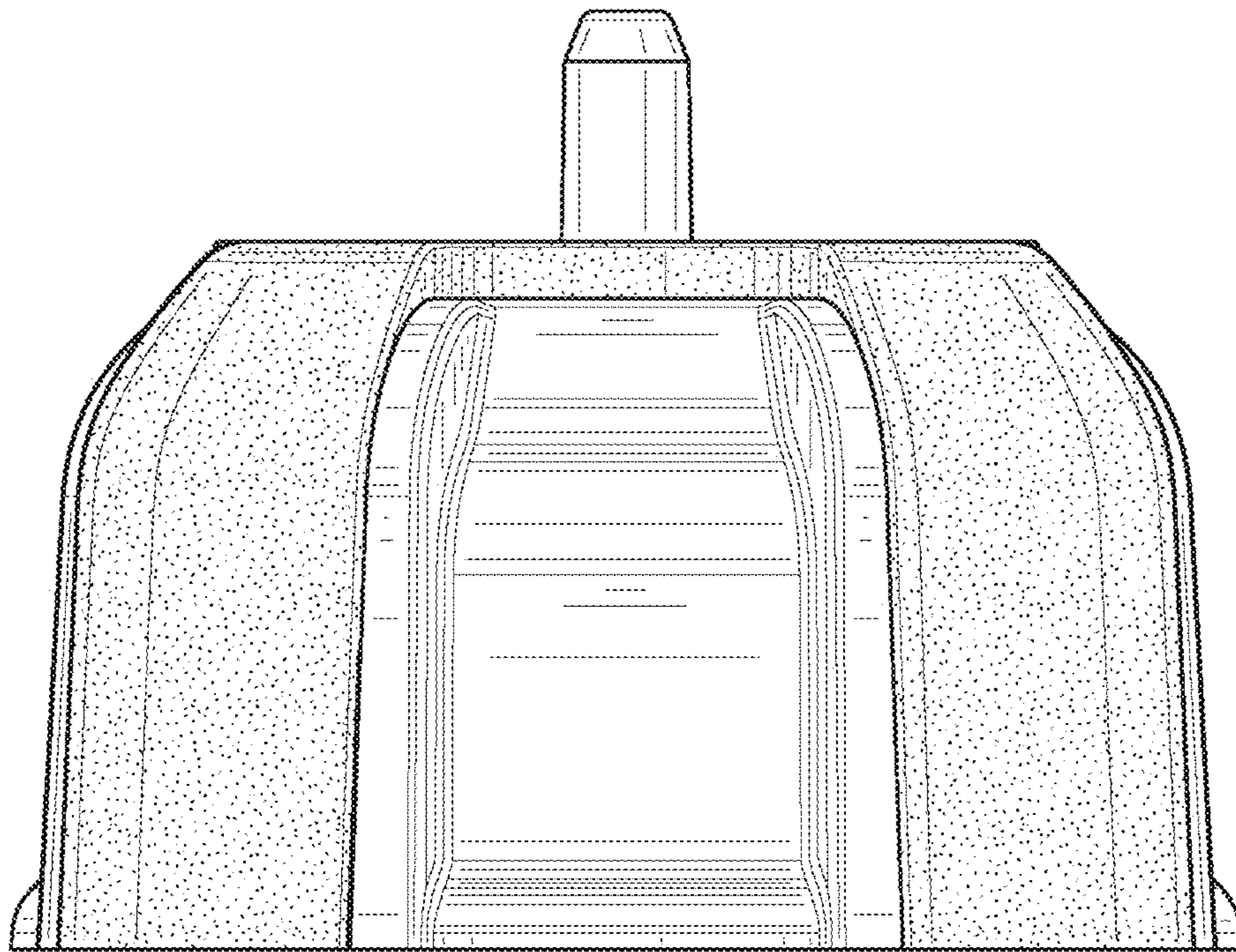


FIG. 3

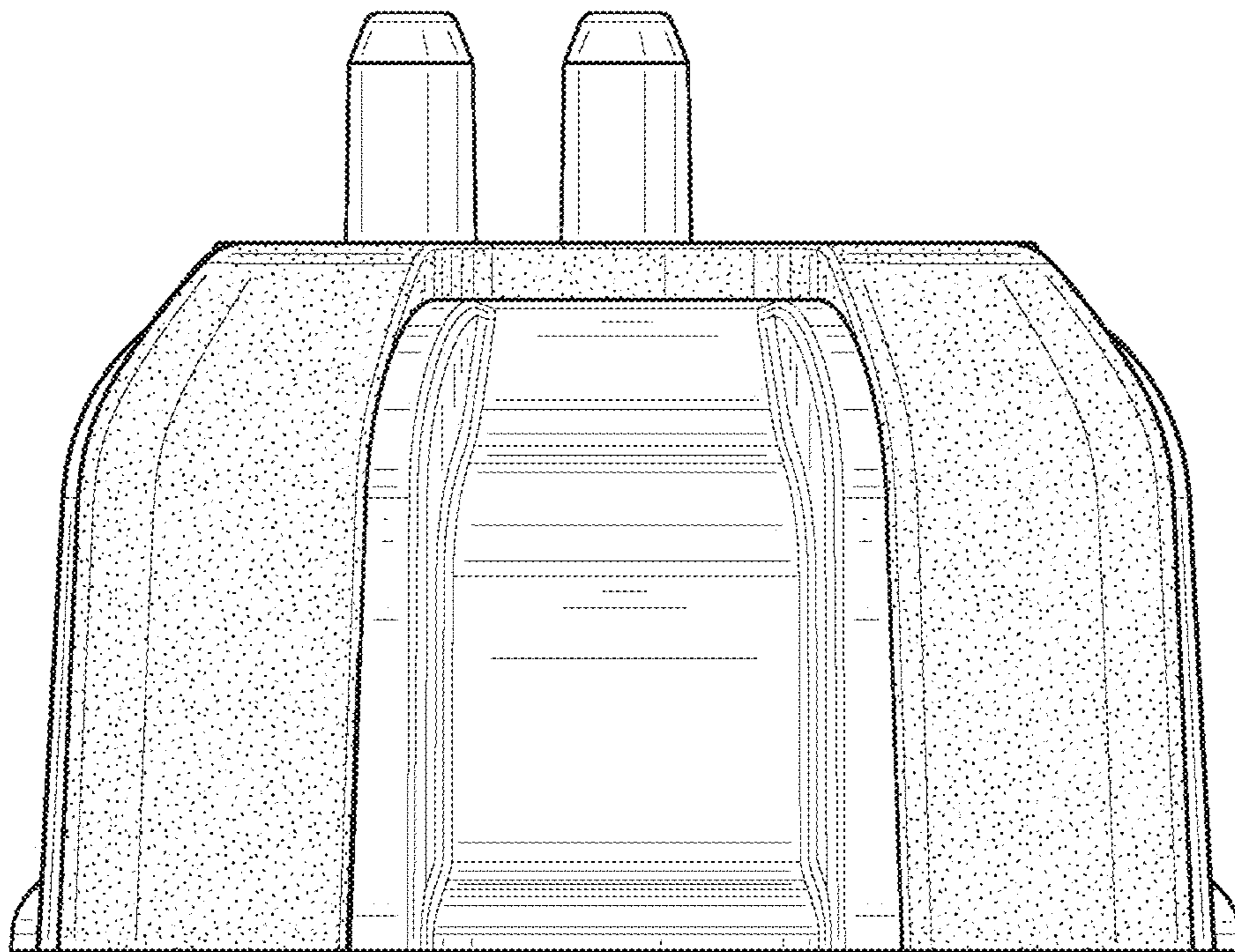


FIG. 4

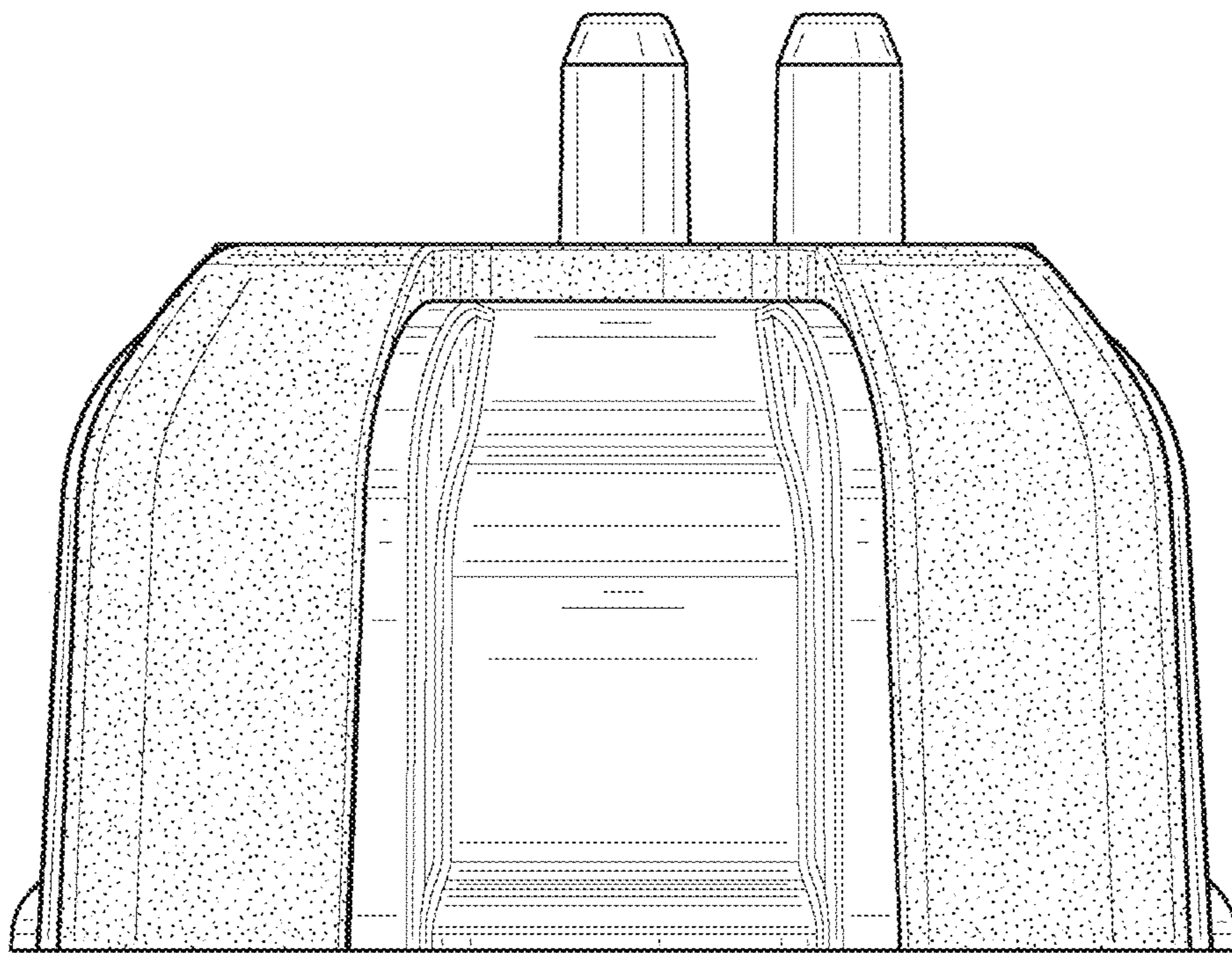


FIG. 5

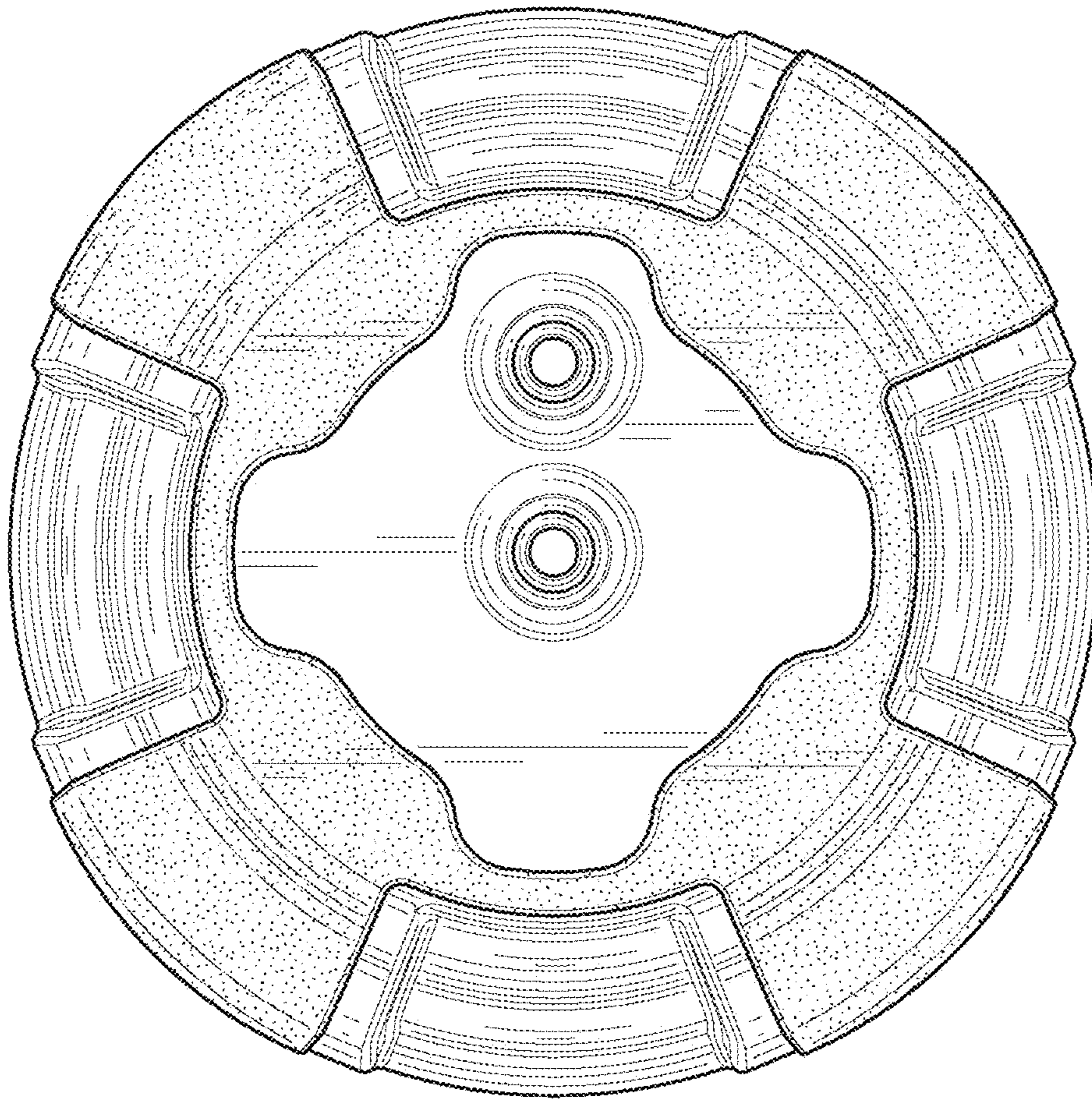


FIG. 6



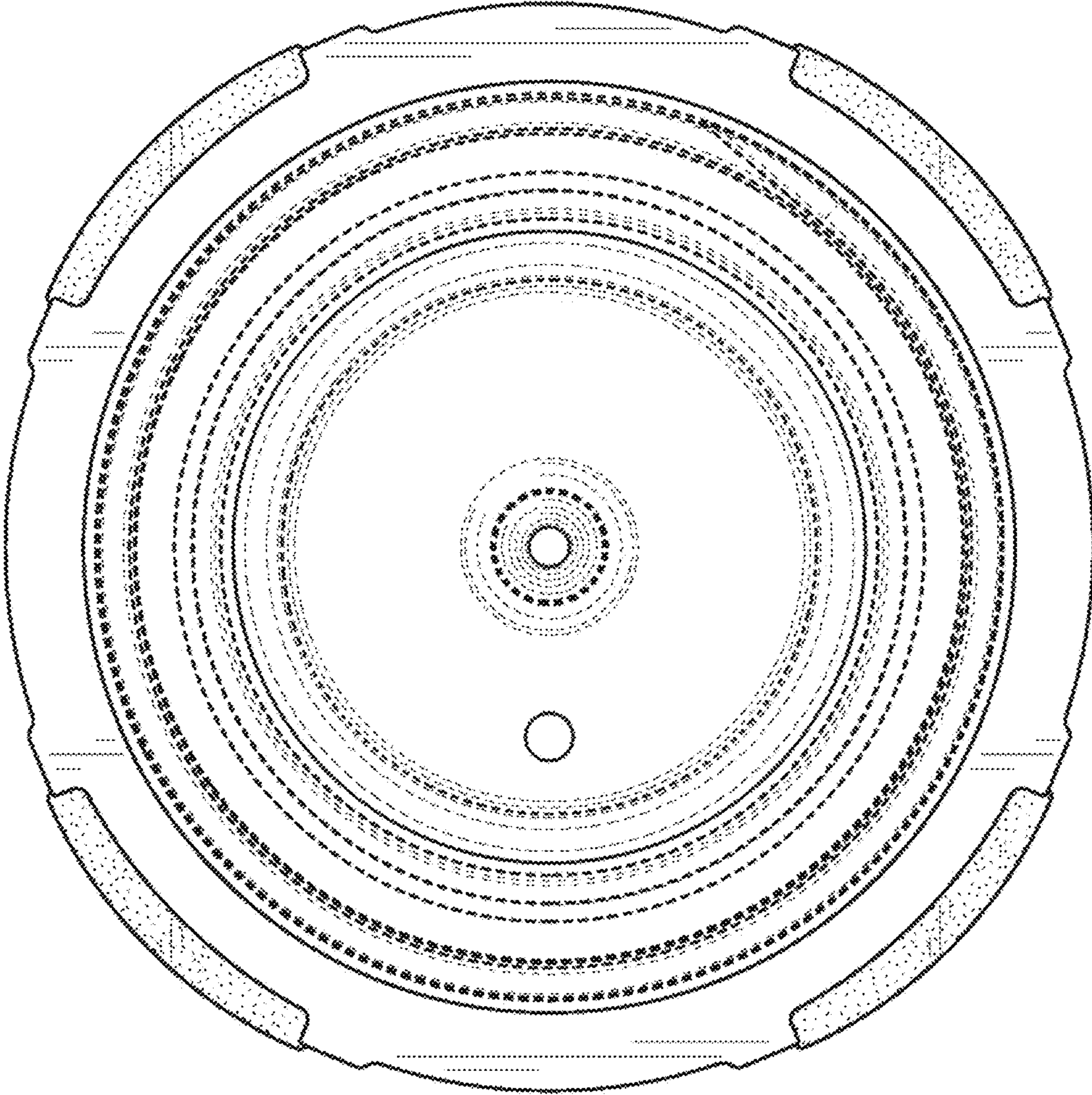


FIG. 7