



US00D986059S

(12) **United States Design Patent** (10) **Patent No.:** **US D986,059 S**  
**Schneider et al.** (45) **Date of Patent:** **\*\* May 16, 2023**

(54) **LID FOR CONTAINERS**

B65D 45/00; B65D 47/00; B65D 47/06;  
B65D 47/08; B65D 2251/00; B65D  
2543/00046; B65D 2543/00055; B65D  
2543/00092; B65D 2543/00296; B65D  
2581/3409

(71) Applicant: **DWK Life Sciences GmbH**,  
Wertheim/Main (DE)

(72) Inventors: **Matthias Schneider**, Heidesheim (DE);  
**Susanne Zangi**, Mainz (DE)

See application file for complete search history.

(73) Assignee: **DWK Life Sciences GmbH**,  
Wertheim/Main (DE)

(56) **References Cited**

U.S. PATENT DOCUMENTS

(\*\*) Term: **15 Years**

(21) Appl. No.: **29/685,850**

(22) Filed: **Apr. 1, 2019**

(30) **Foreign Application Priority Data**

Dec. 21, 2018	(EM)	005942356-0001
Dec. 21, 2018	(EM)	005942356-0002
Dec. 21, 2018	(EM)	005942356-0003
Dec. 21, 2018	(EM)	005942356-0004
Dec. 21, 2018	(EM)	005942356-0005
Dec. 21, 2018	(EM)	005942356-0006
Dec. 21, 2018	(EM)	005942356-0007
Dec. 21, 2018	(EM)	005942356-0008
Dec. 21, 2018	(EM)	005942356-0009
Dec. 21, 2018	(EM)	005942356-0010

D200,820	S	*	4/1965	Blakslee	.....	D9/443
D512,872	S	*	12/2005	McMahon, III	.....	D7/392
D559,616	S	*	1/2008	Kaposi	.....	D7/391
D612,196	S	*	3/2010	Furlong	.....	D7/392.1
D633,757	S	*	3/2011	Smyers	.....	D7/629
D647,358	S	*	10/2011	Smyers	.....	D7/629
D647,360	S	*	10/2011	Smyers	.....	D7/629
D662,766	S	*	7/2012	Smyers	.....	D7/629
D675,922	S	*	2/2013	MacNeill	.....	D9/443
D677,117	S	*	3/2013	Smyers	.....	D7/391
D683,625	S	*	6/2013	Miranda De Araujo	.....	D9/443
D684,017	S	*	6/2013	Wong	.....	D7/629
D694,589	S	*	12/2013	Duvigneau	.....	D7/629
D700,473	S	*	3/2014	Duvigneau	.....	D7/391
D779,325	S	*	2/2017	Vigoureux	.....	D9/443

(Continued)

*Primary Examiner* — Wendy L Arminio

(74) *Attorney, Agent, or Firm* — Hodgson Russ LLP

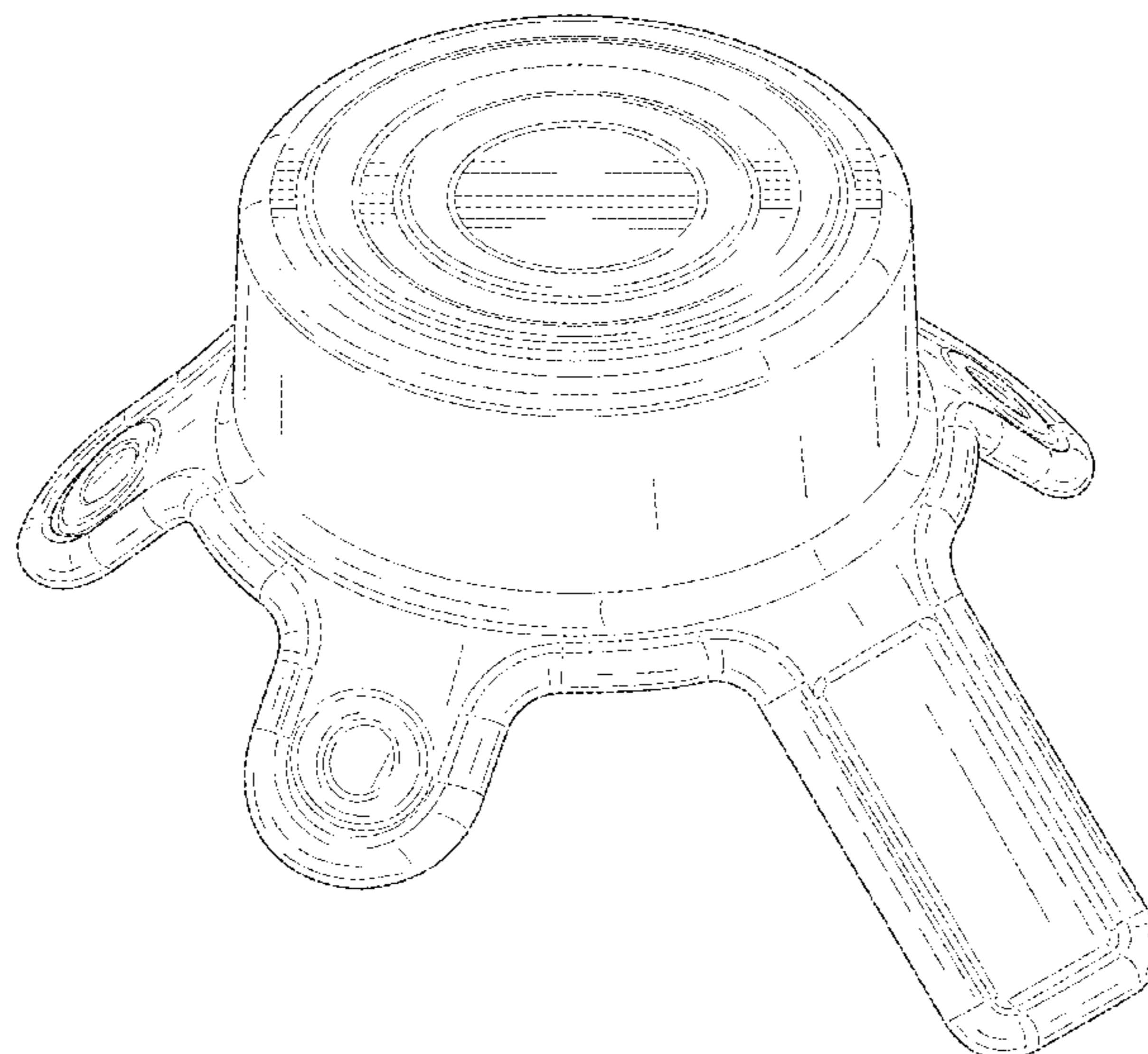
(57) **CLAIM**

The ornamental design for a lid for containers, as shown and described.

**DESCRIPTION**

FIG. 1 is a perspective view of a lid for containers;  
FIG. 2 is a left side elevation view thereof;  
FIG. 3 is a right side elevation view thereof;  
FIG. 4 is a front elevation view thereof;  
FIG. 5 is a rear elevation view thereof;  
FIG. 6 is a top plan view thereof; and,  
FIG. 7 is a bottom plan view thereof.

**1 Claim, 6 Drawing Sheets**



(56)

**References Cited**

U.S. PATENT DOCUMENTS

D803,006 S *	11/2017	Min	.....	D7/629
D811,160 S *	2/2018	Evans	.....	D7/391
D824,763 S *	8/2018	Suess	.....	D9/454
D871,008 S *	12/2019	Feng	.....	D32/53
2012/0248110 A1 *	10/2012	Wu	.....	B65D 43/0208 220/367.1

\* cited by examiner

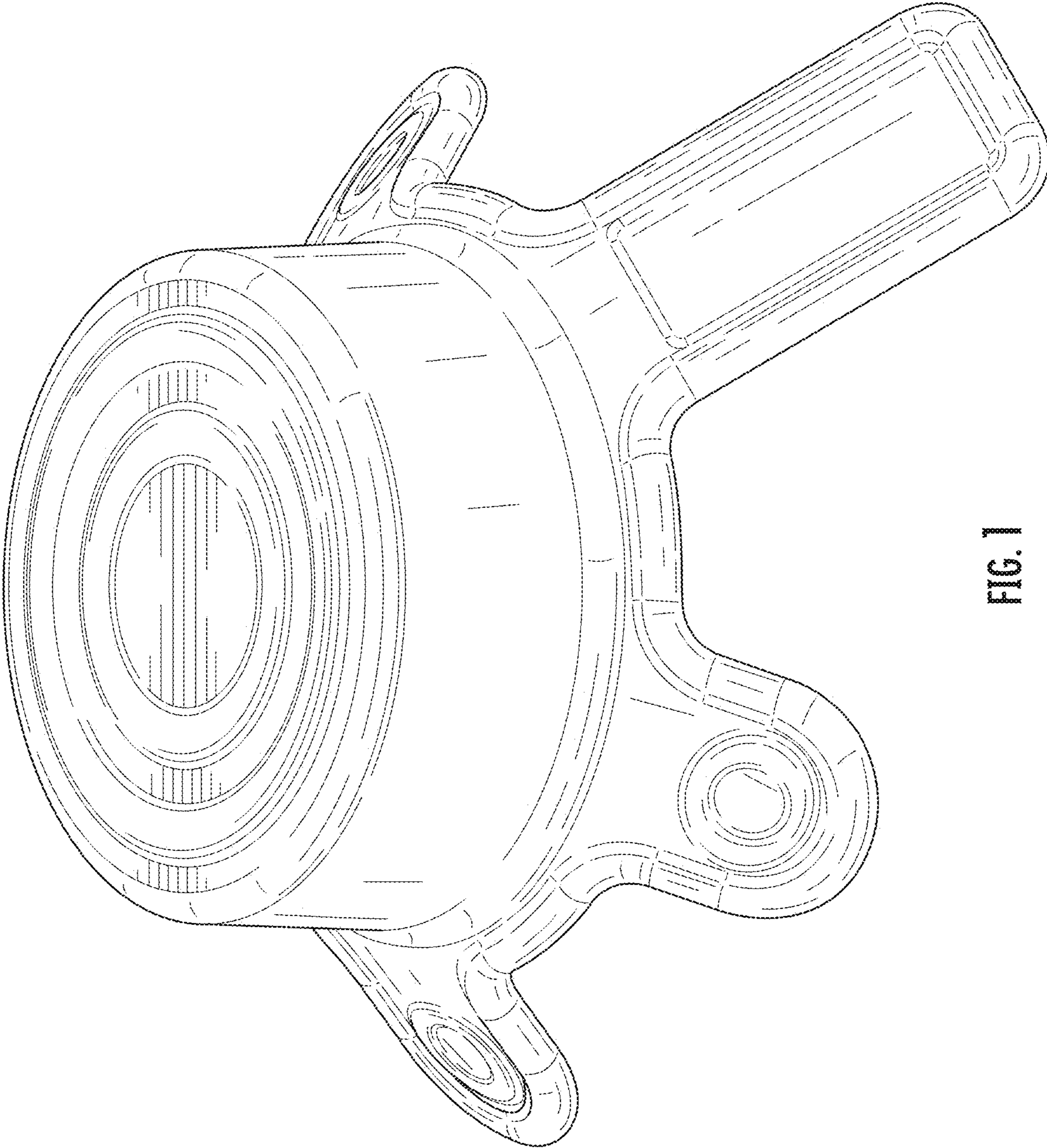


FIG. 1

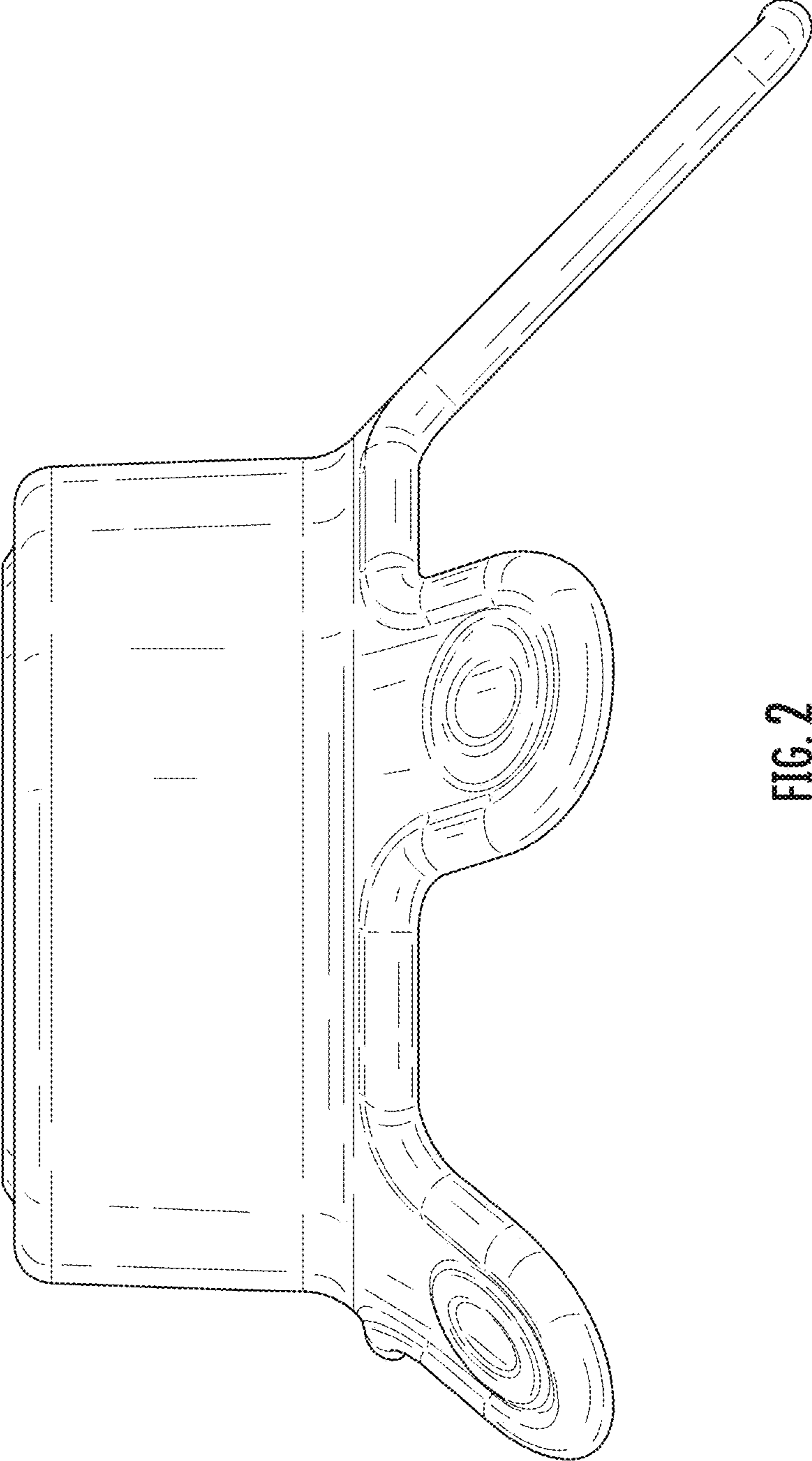


FIG. 2

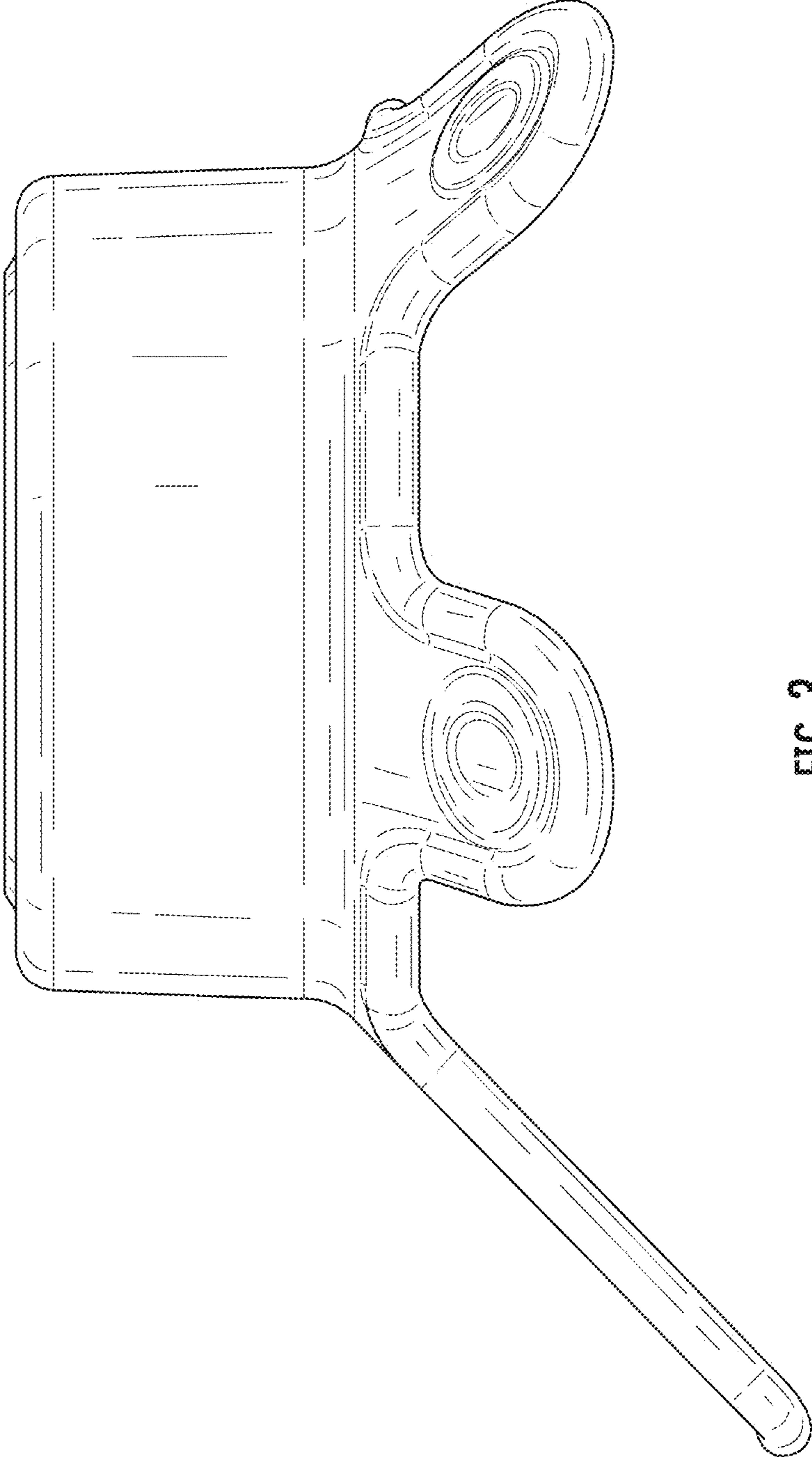


FIG. 3

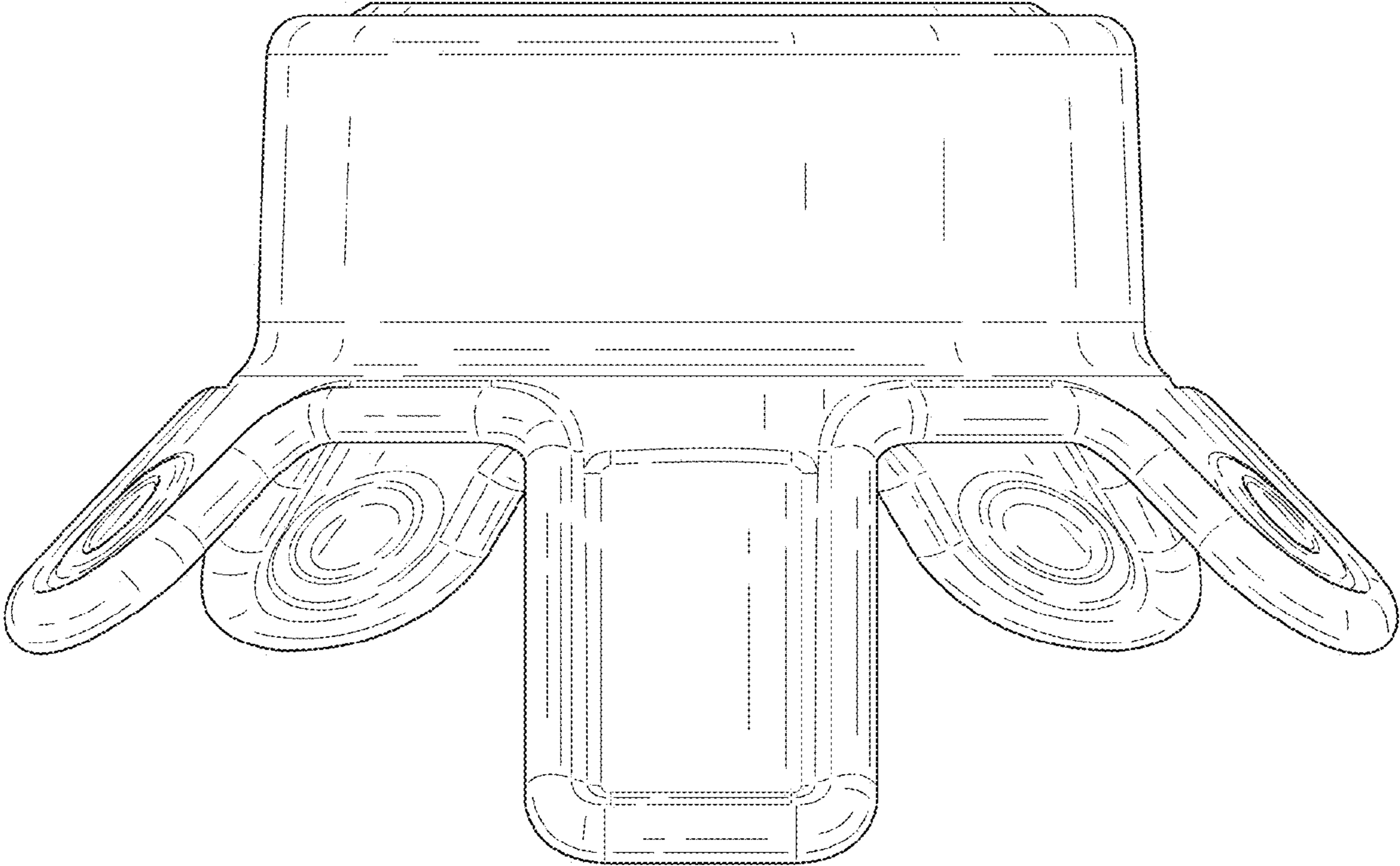


FIG. 4

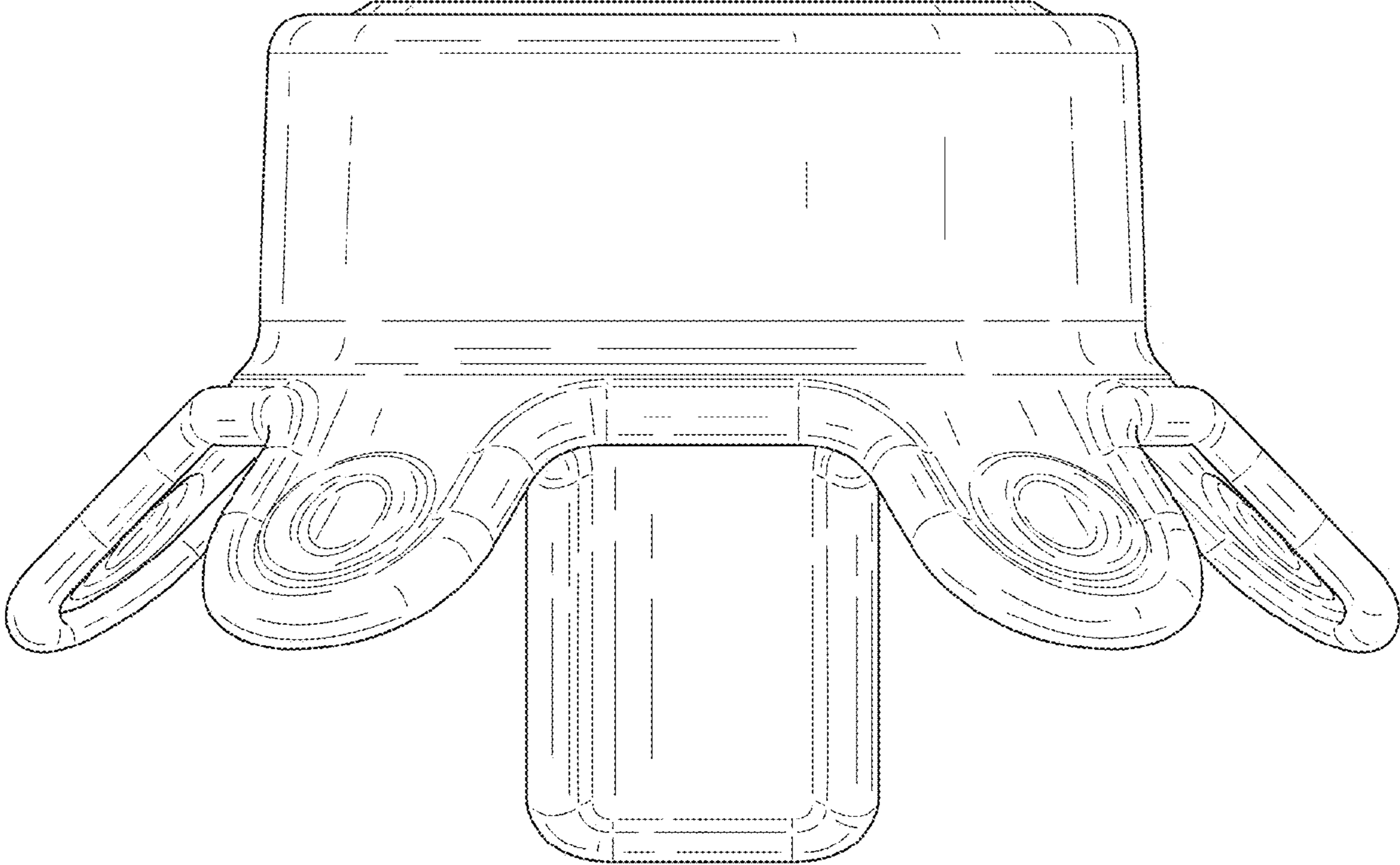


FIG. 5

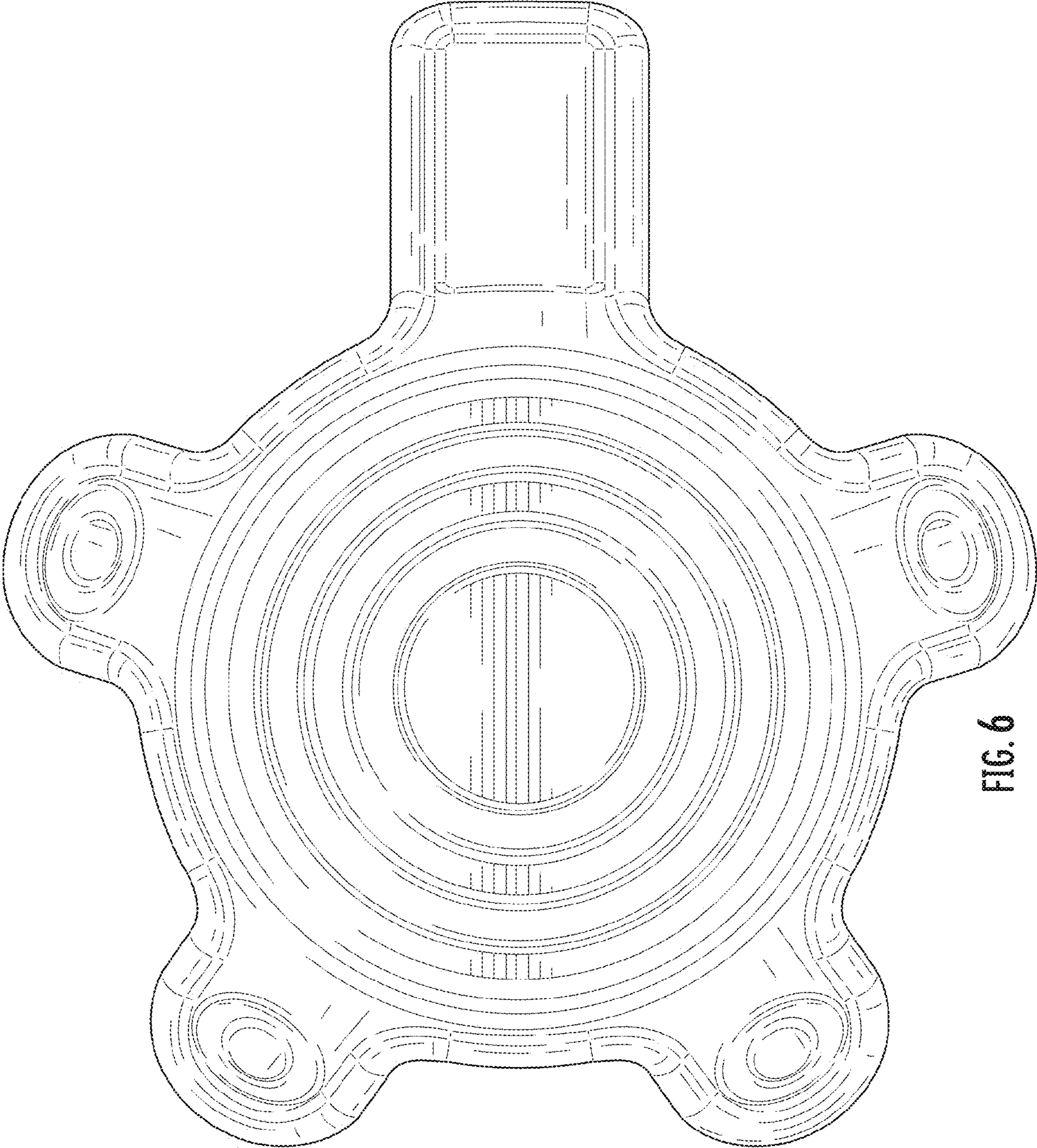


FIG. 6

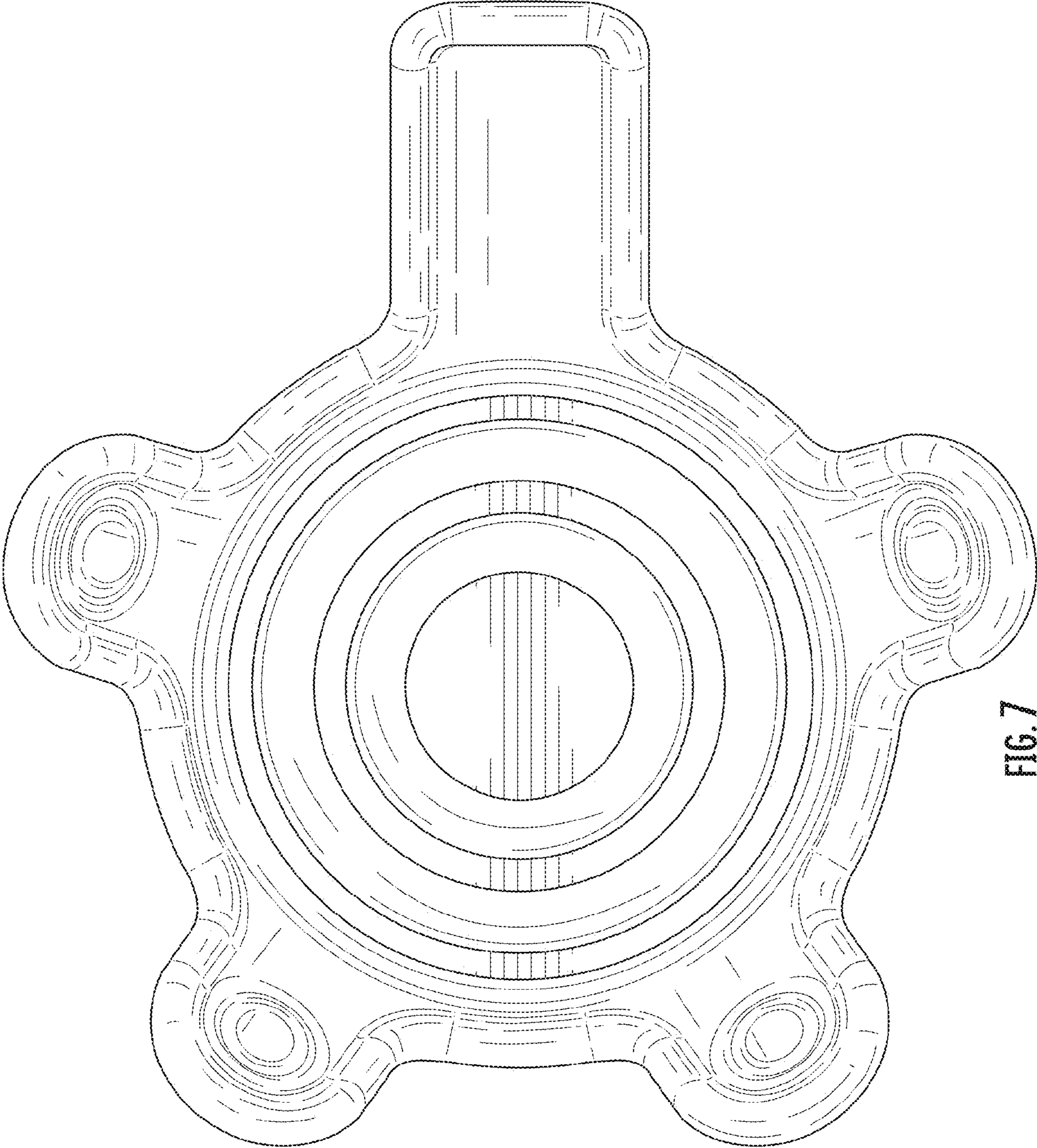


FIG. 7