



US00D986058S

(12) **United States Design Patent** (10) **Patent No.:** **US D986,058 S**  
**Laible** (45) **Date of Patent:** **\*\* May 16, 2023**

- (54) **COMPONENT FOR A SINGLE DRAW CONTAINER INSERT HAVING TWO METERED FLOW OUTLETS**
- (71) Applicant: **Rodney Laible**, Omaha, NE (US)
- (72) Inventor: **Rodney Laible**, Omaha, NE (US)
- (\*\*) Term: **15 Years**
- (21) Appl. No.: **29/810,813**
- (22) Filed: **Oct. 8, 2021**
- (51) **LOC (14) Cl.** ..... **07-06**
- (52) **U.S. Cl.**  
USPC ..... **D9/440; D9/454**
- (58) **Field of Classification Search**  
USPC ..... D9/434-436, 439, 440, 443, 447, 449, D9/499, 702, 703, 705, 708, 720, 454; D7/387, 397, 398; D23/260  
CPC ..... B65B 7/00; B65B 51/00; B65B 51/043; B65B 51/046; B65B 7/28; B65D 31/14; B65D 33/00; B65D 33/01; B65D 33/16; B65D 39/00; B65D 41/00; B65D 45/00; B65D 45/02; B65D 45/04; B65D 77/10; B65D 77/067; B65D 77/068; B65D 77/225  
See application file for complete search history.

- (56) **References Cited**  
U.S. PATENT DOCUMENTS  
D216,678 S \* 3/1970 Wilcox ..... D9/439  
D227,878 S \* 7/1973 Meyer ..... D9/504  
D248,453 S \* 7/1978 Summers ..... D9/439  
D248,545 S \* 7/1978 Summers ..... D9/439  
D292,232 S \* 10/1987 Forman ..... D9/434  
D310,028 S \* 8/1990 Brandt ..... D9/434  
D567,084 S \* 4/2008 Batton ..... D9/440  
D595,570 S \* 7/2009 Moretti ..... D9/434  
D751,394 S \* 3/2016 Chartier ..... D9/440  
D753,489 S \* 4/2016 Shaw ..... D9/454

D772,713 S *	11/2016	Chapman	.....	D9/434
D779,325 S *	2/2017	Vigoureux	.....	D9/443
D823,115 S *	7/2018	Walker	.....	D9/447
D867,884 S *	11/2019	Byron	.....	D9/454
D874,276 S *	2/2020	Byron	.....	D9/453
D877,558 S *	3/2020	Dorfmueller	.....	D9/454
D881,709 S *	4/2020	Accurso	.....	D9/454
D886,609 S *	6/2020	Accurso	.....	D9/454
D886,951 S *	6/2020	Peterson	.....	D23/233
10,889,486 B1 *	1/2021	Laible	.....	B67D 3/0045
D912,461 S *	3/2021	Mendez	.....	D7/392.1
11,034,495 B2 *	6/2021	Accurso	.....	B65D 51/002
D947,025 S *	3/2022	Diaz	.....	D9/439
11,535,430 B1 *	12/2022	Laible	.....	B05B 1/14
2007/0014492 A1 *	1/2007	Chen	.....	B65D 33/01 383/103

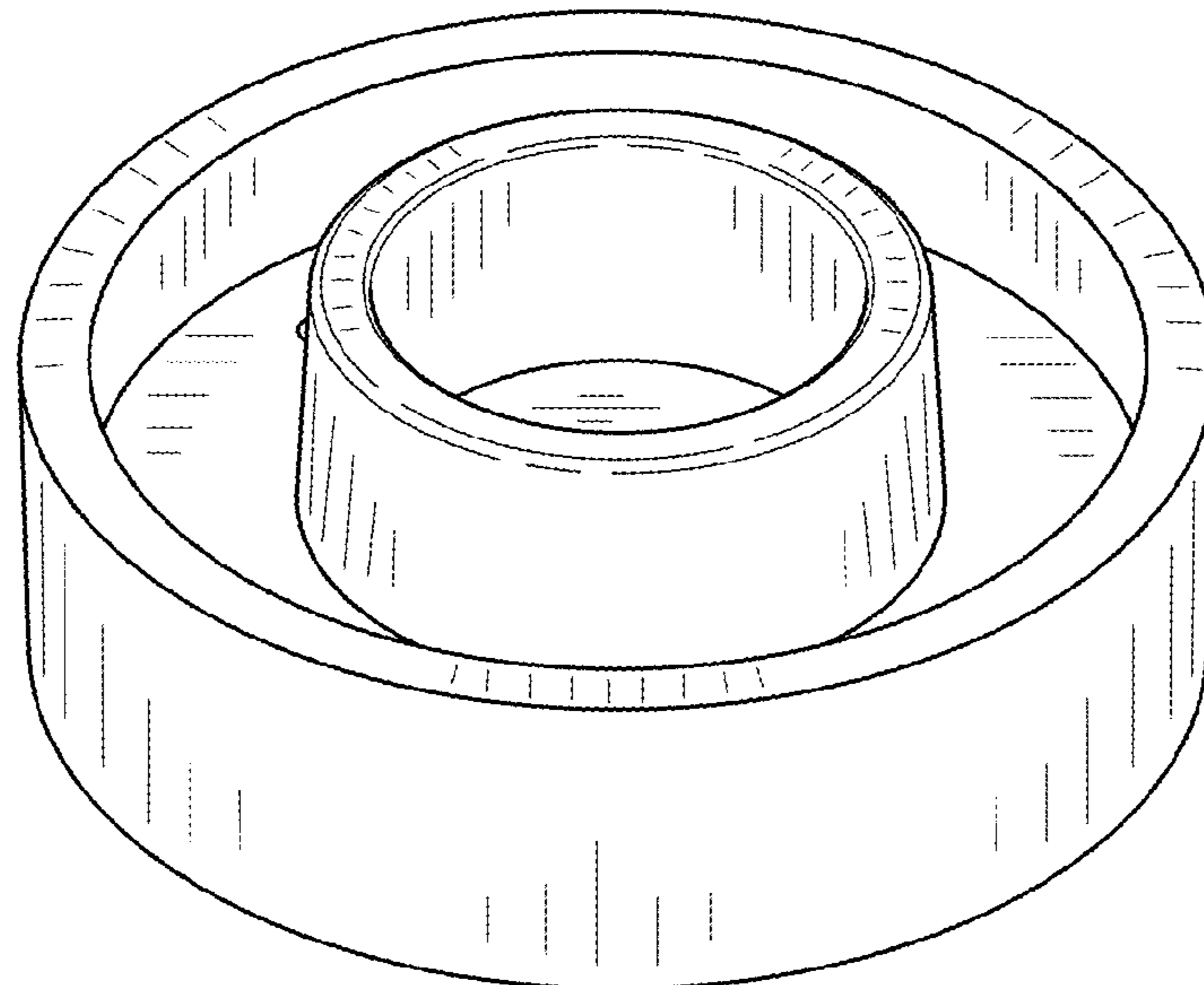
(Continued)

*Primary Examiner* — Wendy L Arminio  
(74) *Attorney, Agent, or Firm* — McGrath North Mullin & Kratz, PC LLO; Luke C. Holst

(57) **CLAIM**  
The ornamental design for a component for a single draw container insert having two metered flow outlets, as shown and described.

**DESCRIPTION**  
FIG. 1 is an upper perspective view of a component for a single draw container insert having two metered flow outlets;  
FIG. 2 is a top view thereof;  
FIG. 3 is a first side view thereof;  
FIG. 4 is a second side view thereof;  
FIG. 5 is a third side view thereof;  
FIG. 6 is a fourth side view thereof; and,  
FIG. 7 is a bottom view thereof.  
The broken lines and unshaded areas adjacent to the broken lines depict portions of the component for a single draw container insert having two metered flow outlets that form no part of the claimed design.

**1 Claim, 3 Drawing Sheets**



(56)

**References Cited**

U.S. PATENT DOCUMENTS

2014/0263316 A1\* 9/2014 Accurso ..... B65D 51/24  
220/210  
2018/0295967 A1\* 10/2018 Byeon ..... B65D 47/00

\* cited by examiner

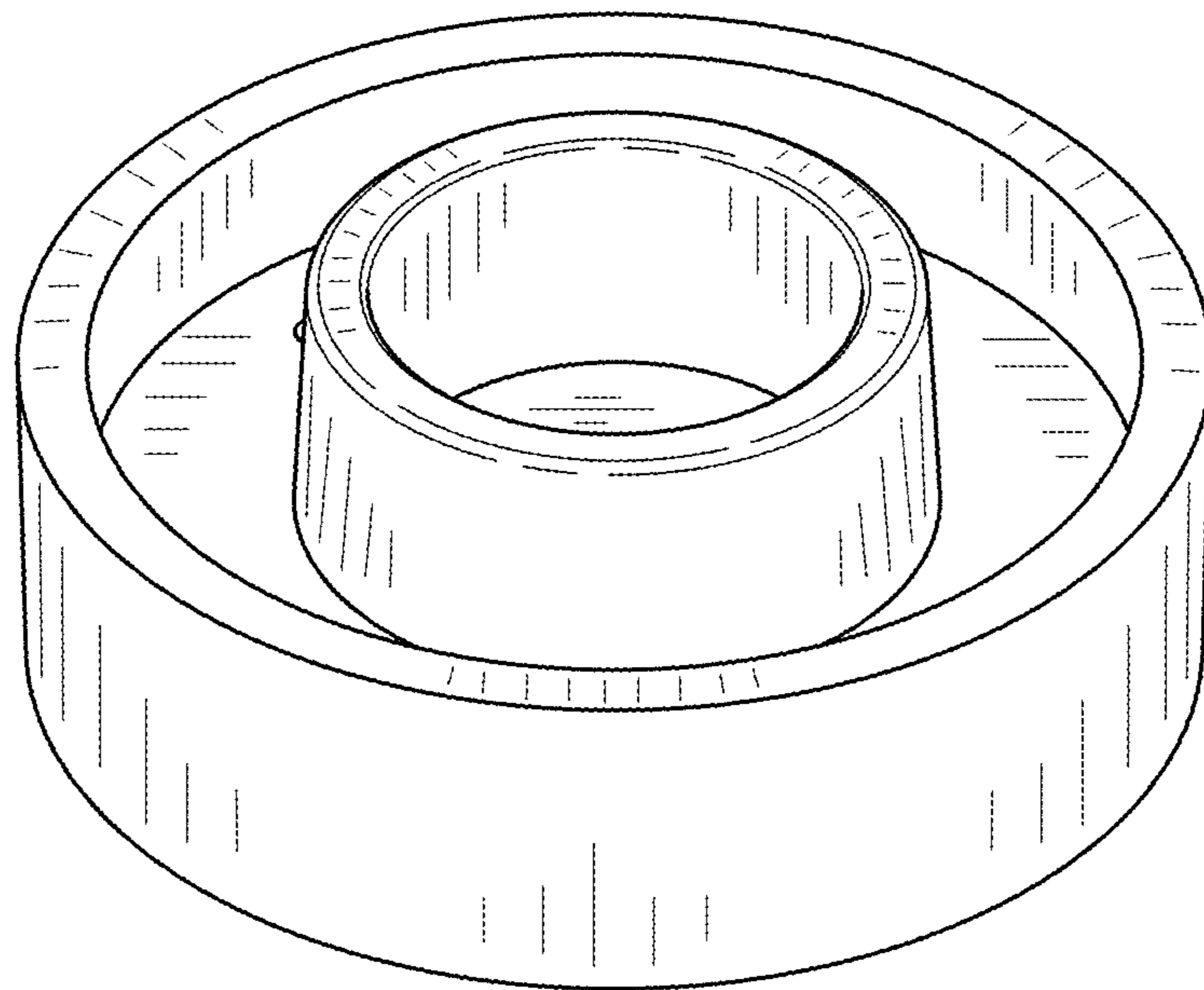


FIG. 1

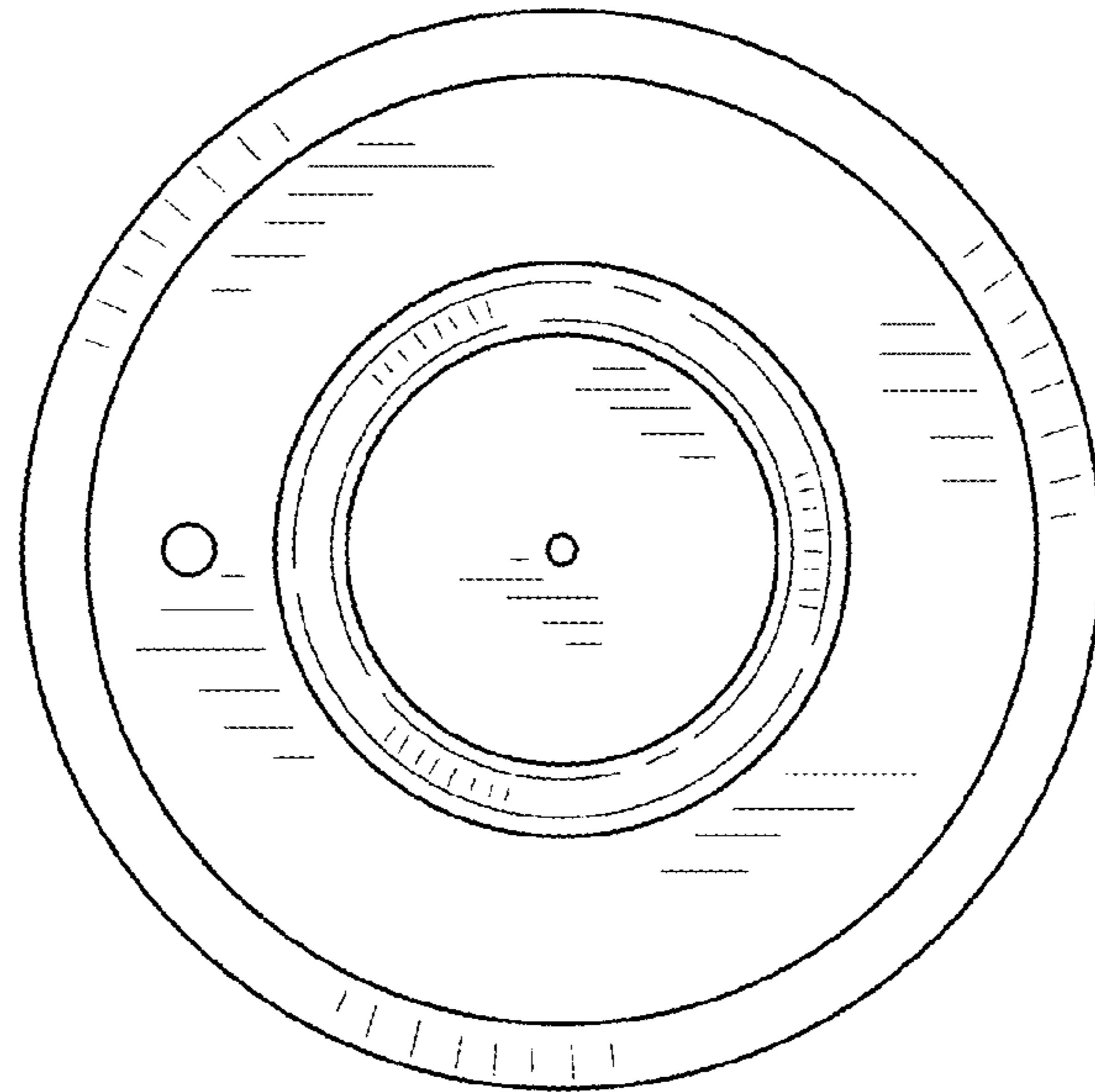


FIG. 2

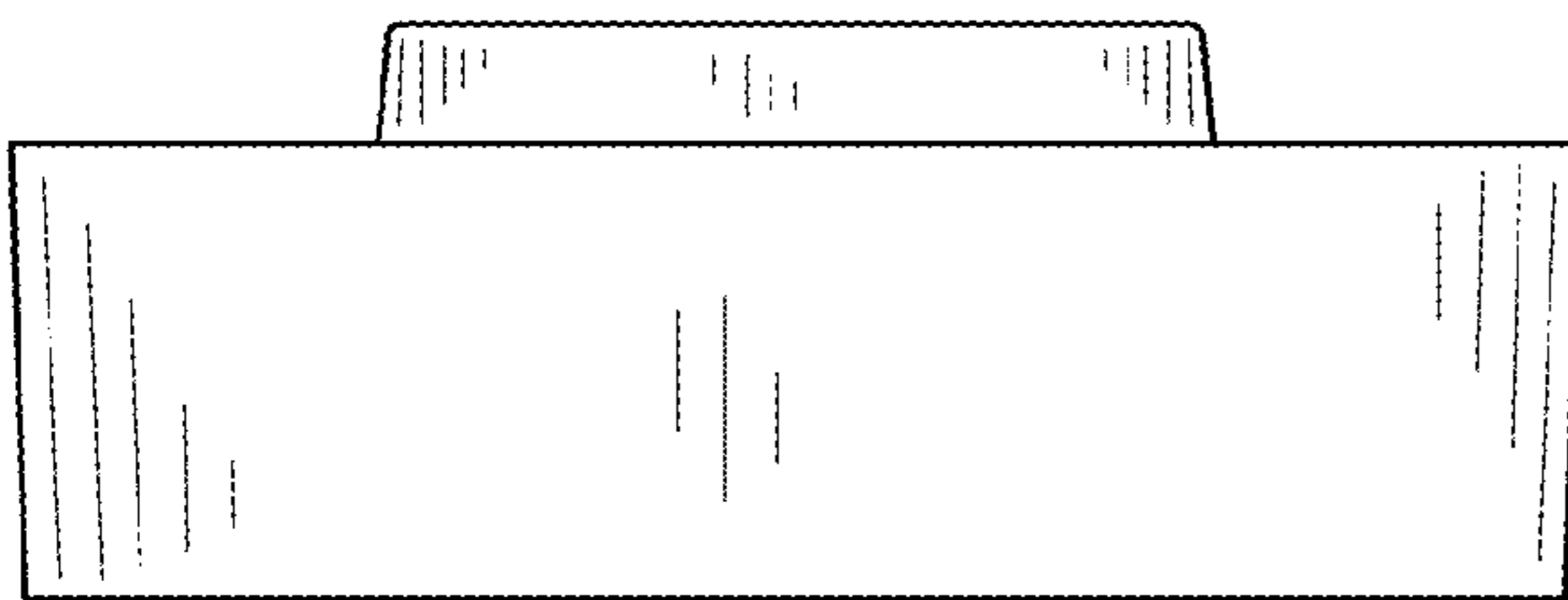


FIG. 3

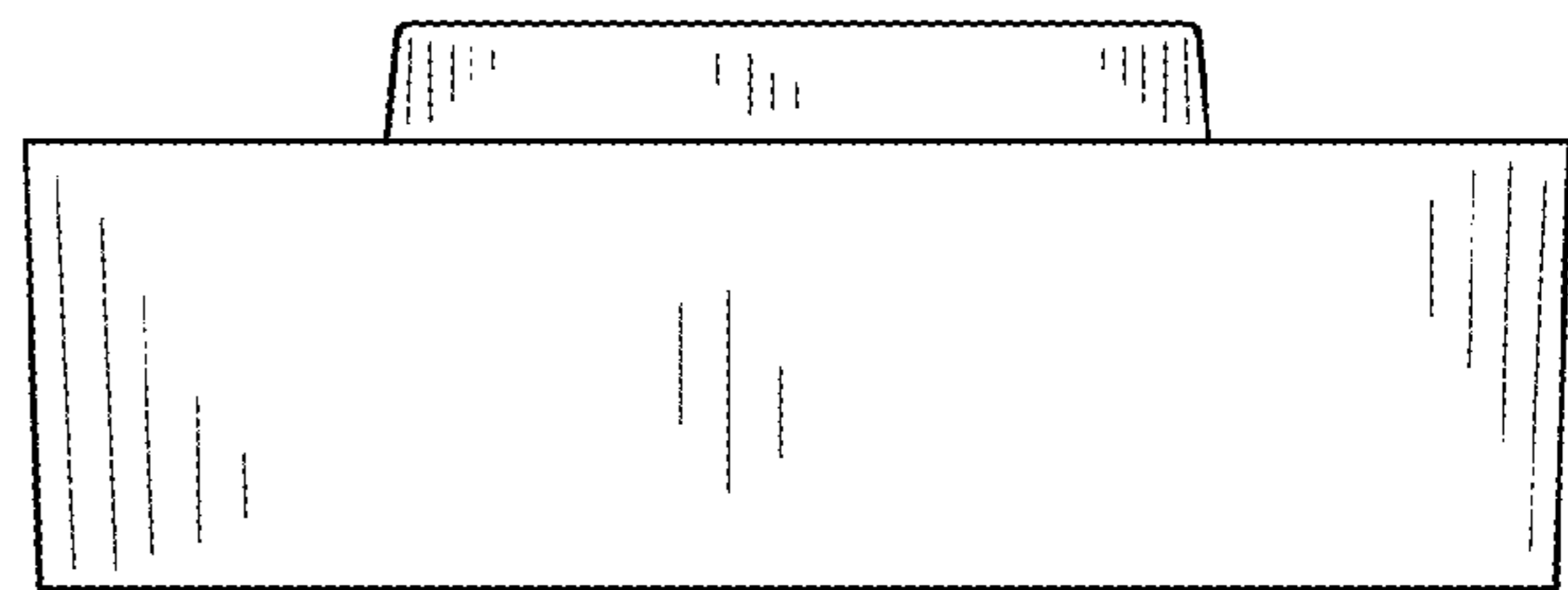


FIG. 4

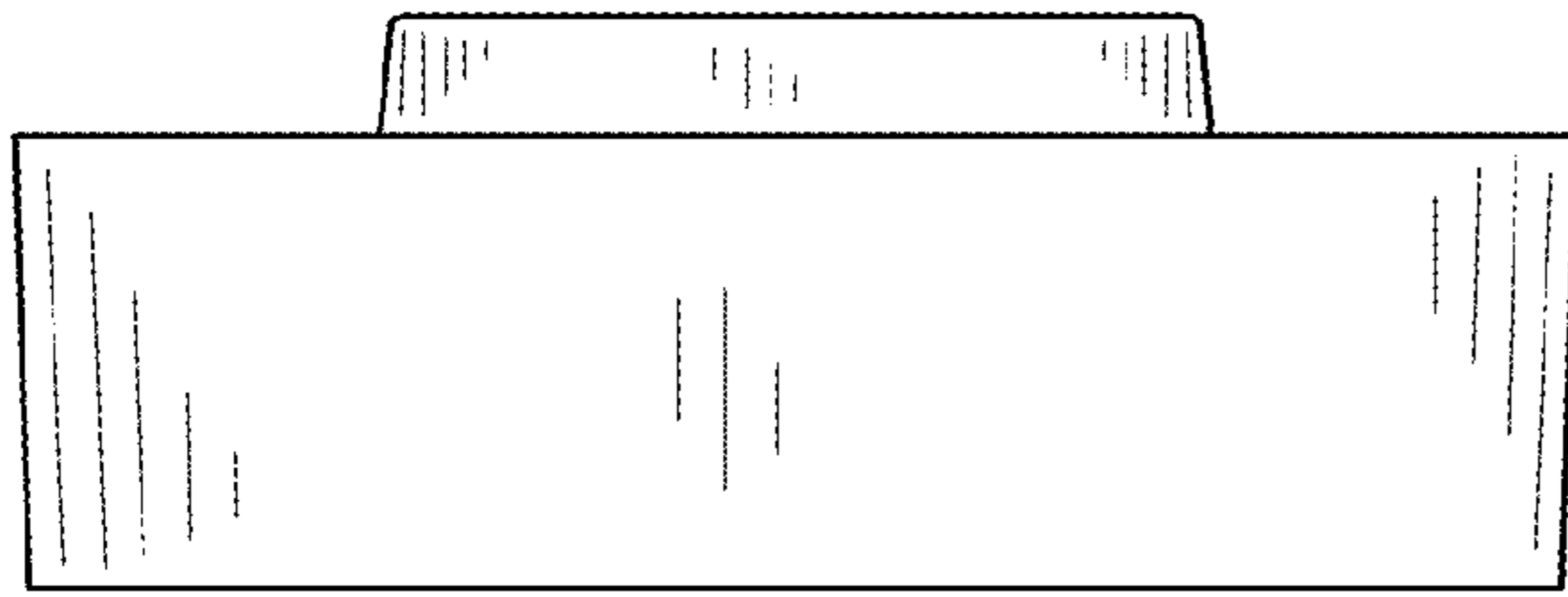


FIG. 5

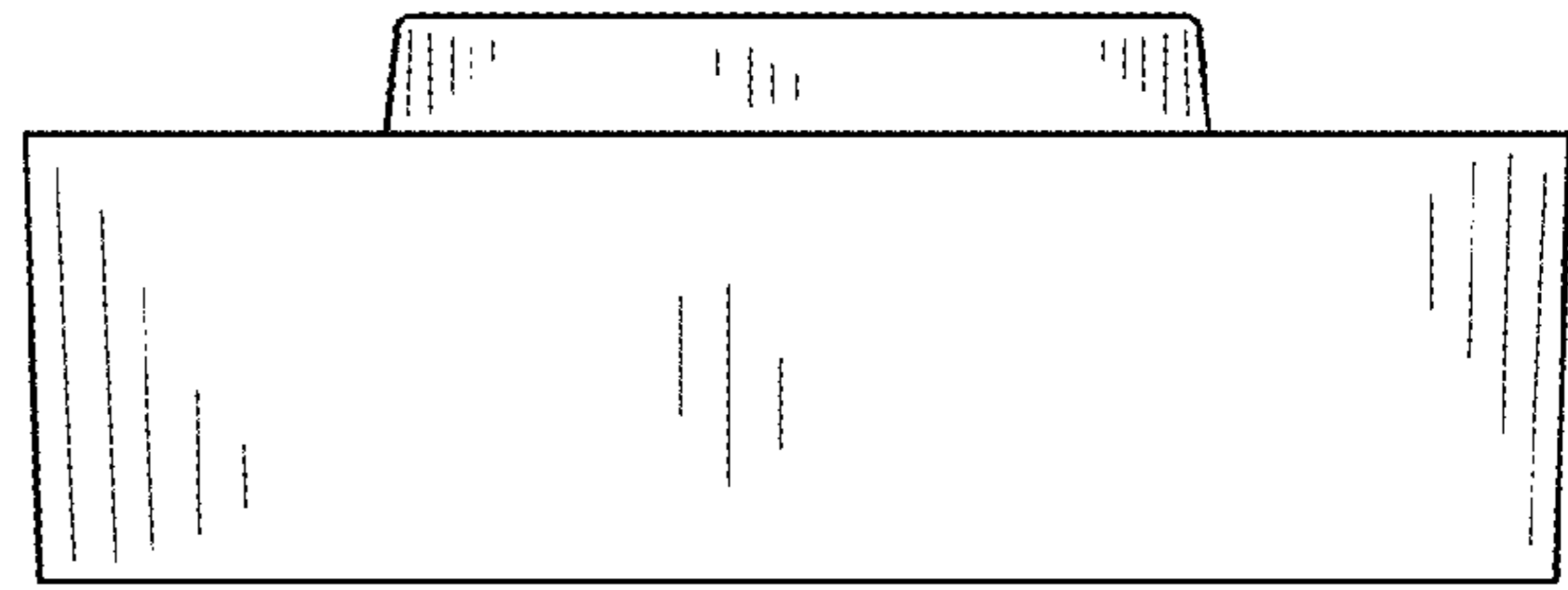


FIG. 6

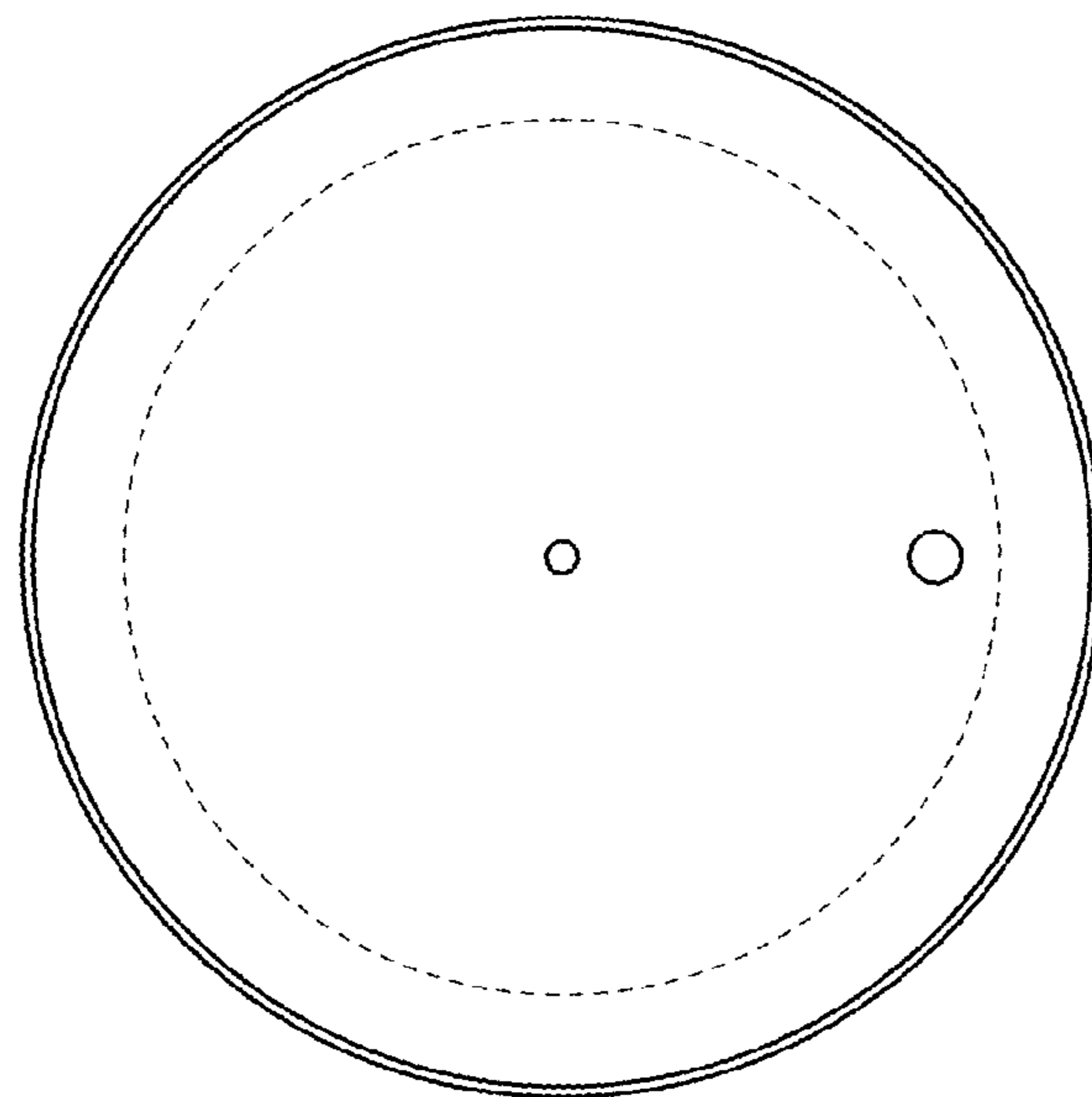


FIG. 7