



US00D986055S

(12) **United States Design Patent** (10) **Patent No.:** **US D986,055 S**
Zatkoff et al. (45) **Date of Patent:** **** May 16, 2023**

(54) **FOAM PACKAGING ELEMENT**

FOREIGN PATENT DOCUMENTS

(71) Applicant: **ROGER ZATKOFF COMPANY**,
Farmington Hills, MI (US)

CN 201077589 Y * 6/2008
DE 20023776 U1 * 5/2006 B65D 81/053
(Continued)

(72) Inventors: **David Zatkoff**, Farmington Hills, MI
(US); **Marc Staudt**, Farmington Hills,
MI (US)

OTHER PUBLICATIONS

(73) Assignee: **ROGER ZATKOFF COMPANY**,
Farmington Hills, MI (US)

Interlocking foam Floor Tiles. Date posted: Jan. 31, 2016. Site
visited: Nov. 9, 2022. Available online: <https://www.youtube.com/watch?v=cH3NVX-1JTA> (Year: 2016).*

(**) Term: **15 Years**

(Continued)

(21) Appl. No.: **29/866,493**

Primary Examiner — Catherine S Posthauer

Assistant Examiner — Joan E. Diehl

(22) Filed: **Sep. 14, 2022**

(74) *Attorney, Agent, or Firm* — Dickinson Wright PLLC

(51) **LOC (14) Cl.** **09-07**

(52) **U.S. Cl.**

(57) **CLAIM**

USPC **D9/456**

We claim the ornamental design for a foam packaging
element, as shown and described.

(58) **Field of Classification Search**

DESCRIPTION

USPC D9/430, 439, 441, 434, 456, 435, 451,
D9/420; D21/178, 188, 478–480;
D20/23, 30, 43; D19/102–106; D7/503,
D7/504, 558; D28/7; D8/403
CPC A63F 9/1204; A63F 9/12; B65D 81/053;
B65D 81/054; B65D 81/055; B65D
81/107; B65D 81/127; B65D 81/02;
B65D 81/022; B65D 81/1075; B65D
5/50; B65D 51/1611

See application file for complete search history.

FIG. 1 is a top-front perspective view of a foam packaging
element;
FIG. 2 is a front view of the foam packaging element of FIG.
1;
FIG. 3 is a rear view of the foam packaging element of FIG.
1;
FIG. 4 is a left side view of the foam packaging element of
FIG. 1;
FIG. 5 is a right side view of the foam packaging element of
FIG. 1;
FIG. 6 is a top view of the foam packaging element of FIG.
1; and,
FIG. 7 is a bottom view of the foam packaging element of
FIG. 1.

(56) **References Cited**

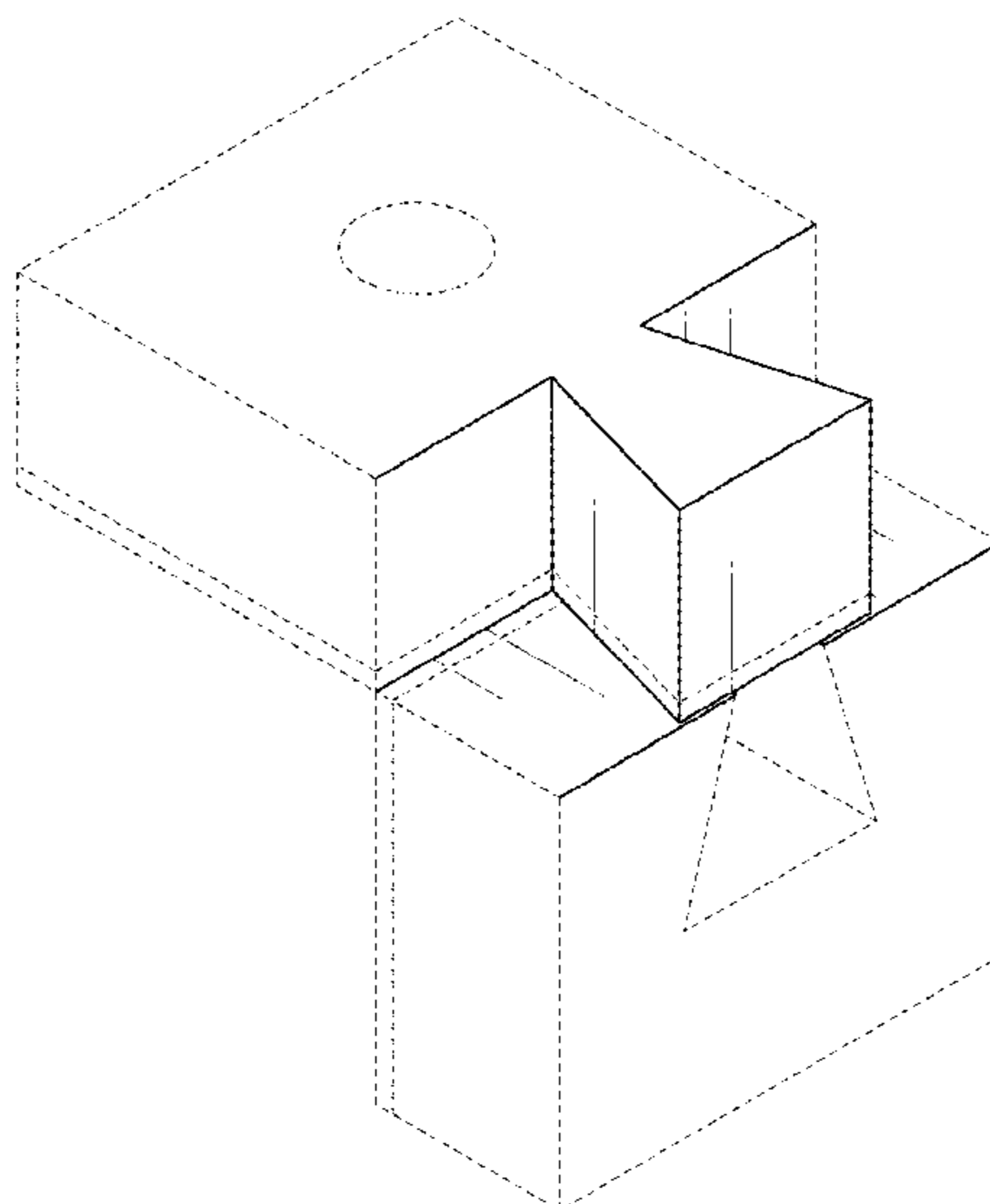
U.S. PATENT DOCUMENTS

2,867,367 A * 1/1959 Butz B65D 81/054
206/588
3,334,798 A * 8/1967 Pezely, Jr. A63F 9/1204
446/124
D228,062 S * 8/1973 Butz D9/456
3,854,650 A 12/1974 Hanaue
3,994,433 A 11/1976 Jenkins et al.

The broken lines in the drawings illustrate portions of the
foam packaging element that form no part of the claimed
design.

(Continued)

1 Claim, 4 Drawing Sheets



(56)

References Cited

OTHER PUBLICATIONS

U.S. PATENT DOCUMENTS

4,072,231 A 2/1978 Helms
 5,175,041 A 12/1992 Webb et al.
 D384,585 S * 10/1997 Swarr D9/456
 6,000,545 A 12/1999 Smith
 6,508,362 B2 1/2003 Hnatow et al.
 D584,621 S 1/2009 Jean
 D603,263 S * 11/2009 Chaimberg D8/403
 7,654,391 B2 2/2010 Langer et al.
 7,810,642 B2 10/2010 Cheng et al.
 7,913,896 B2 3/2011 Reinkensmeyer
 D640,919 S 7/2011 Lavelle
 8,584,928 B2 11/2013 Keissner
 8,752,707 B2 6/2014 McDonald et al.
 9,598,217 B2 3/2017 Giller
 D871,213 S * 12/2019 Cram D9/456
 10,906,720 B2 * 2/2021 Ji B65D 81/022
 2002/0056656 A1 5/2002 Beliveau
 2006/0278555 A1 * 12/2006 Langer B65D 51/1611
 2018/0029766 A1 2/2018 Chung et al.
 2021/0403218 A1 * 12/2021 Merrell B65D 81/1075

FOREIGN PATENT DOCUMENTS

DE 202006008937 U1 8/2006
 EP 1433717 A1 3/2011
 FR 127820 S 5/1979
 JP 2009241960 A * 10/2009 B65D 81/053
 KR 20180112945 A * 10/2018

Dreambaby Foam Corner Protectors. Date posted: Apr. 6, 2016. Site visited: Nov. 9, 2022. Available online: <https://www.youtube.com/watch?v=WP-TY10pDJE> (Year: 2016).*

Carton Packing Corner Guard Frame Corner Protectors. Date first available: Jul. 6, 2021. Site visited: Nov. 9, 2022. Available online: https://www.amazon.com/UoYu-Protectors-Protector-Furniture-Packaging/dp/B098PZZ74G/ref=sr_1_20 (Year: 2021).*

Makita T-02571 Customizable Foam Insert for Interlocking Cases. Date first available: Aug. 1, 2014. Site visited: Nov. 18, 2022. Available online: <https://www.amazon.com/Makita-T-02571-Customizable-Insert-Interlocking/dp/B00ME73UD6> (Year: 2014).*

EzeeCorner Foam Corner Protectors for Shipping, retrieved on Sep. 14, 2022, 2 pages, <https://indexpackaging.com/stock-packaging/ezeecorner>.

Foam Corner Guards _ BGR, retrieved on Sep. 14, 2022, 3 pages, <https://www.packbgr.com/cornerboard-edge-protection/corner-protectors.asp>.

Order Custom Corner Potectors from Cactus Containers, retrieved on Sep. 14, 2022, 4 pages, <https://www.cactuscontainers.com/packaging-supplies/corner-protectors>.

Corrugated Packaging Supplies _ Foam Corner Protectors, retrieved on Sep. 14, 2022, 2 pages, <https://www.westtexascontainer.com/foam-corner-protectors.html>.

Corner Keepers_ Foam Corner Protection _ Pregis, retrieved on Sep. 14, 2022, 3 pages, <https://www.pregis.com/us-solutions/by-product/specialty-products/corner-keepers>.

Foam Protectors in Stock—Uline, retrieved on Sep. 14, 2022, 1 page, https://www.uline.com/BL_2154/Foam-Protectors.

Kingdom Group _ Foam Corner, retrieved on Sep. 14, 2022, 1 page, <https://www.kingdomgroup.com/product/foam-corner>.

* cited by examiner

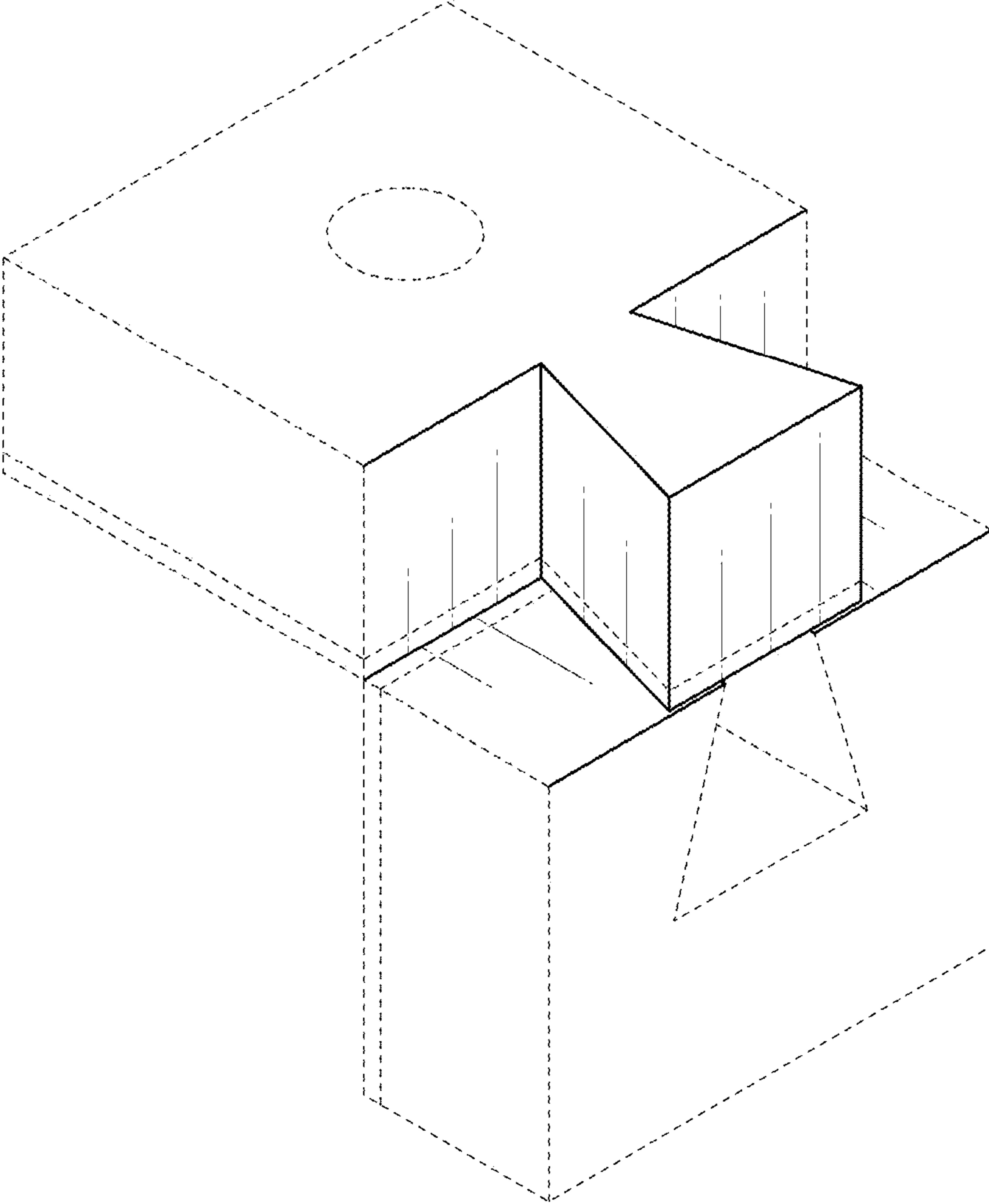


FIG. 1

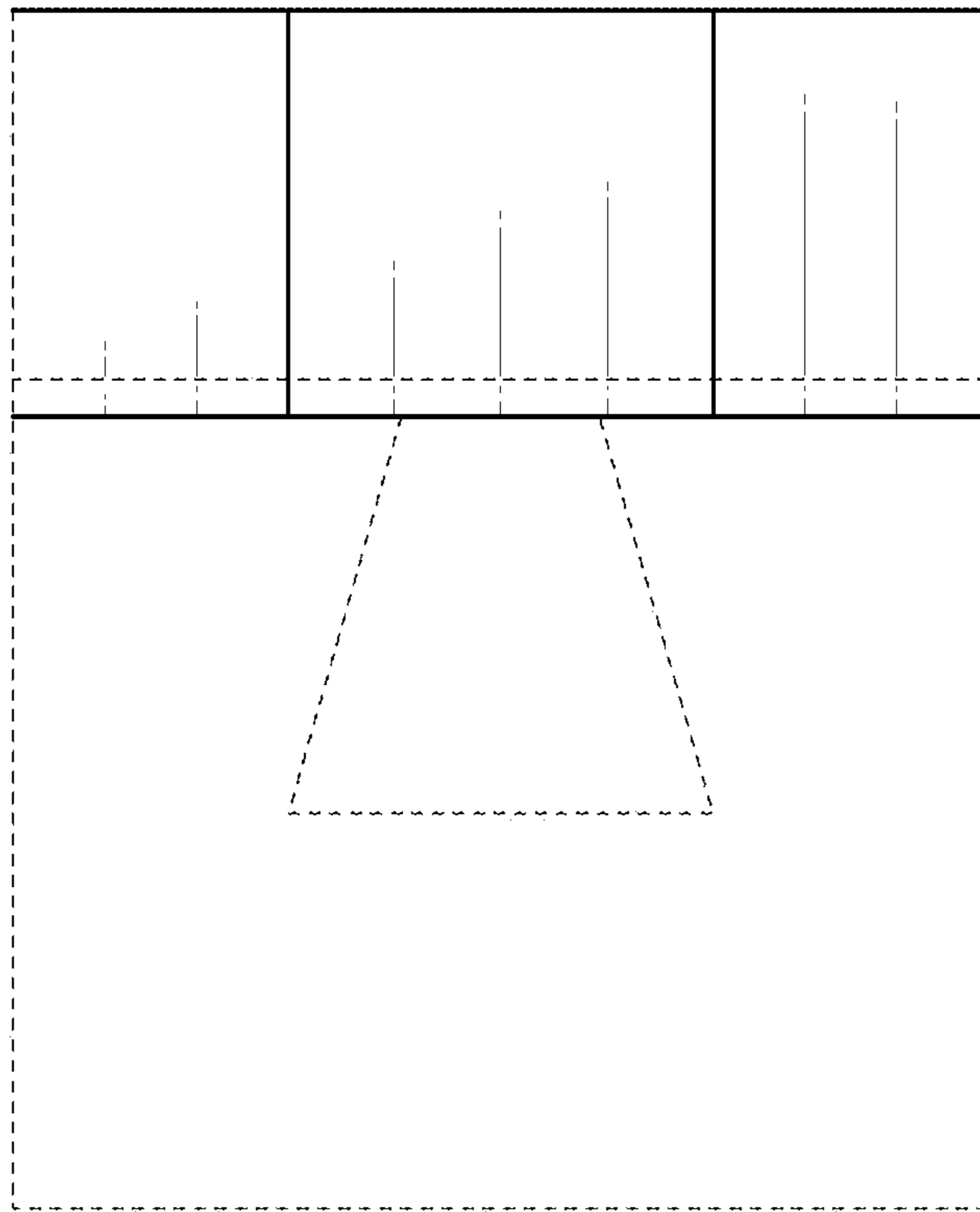


FIG. 2

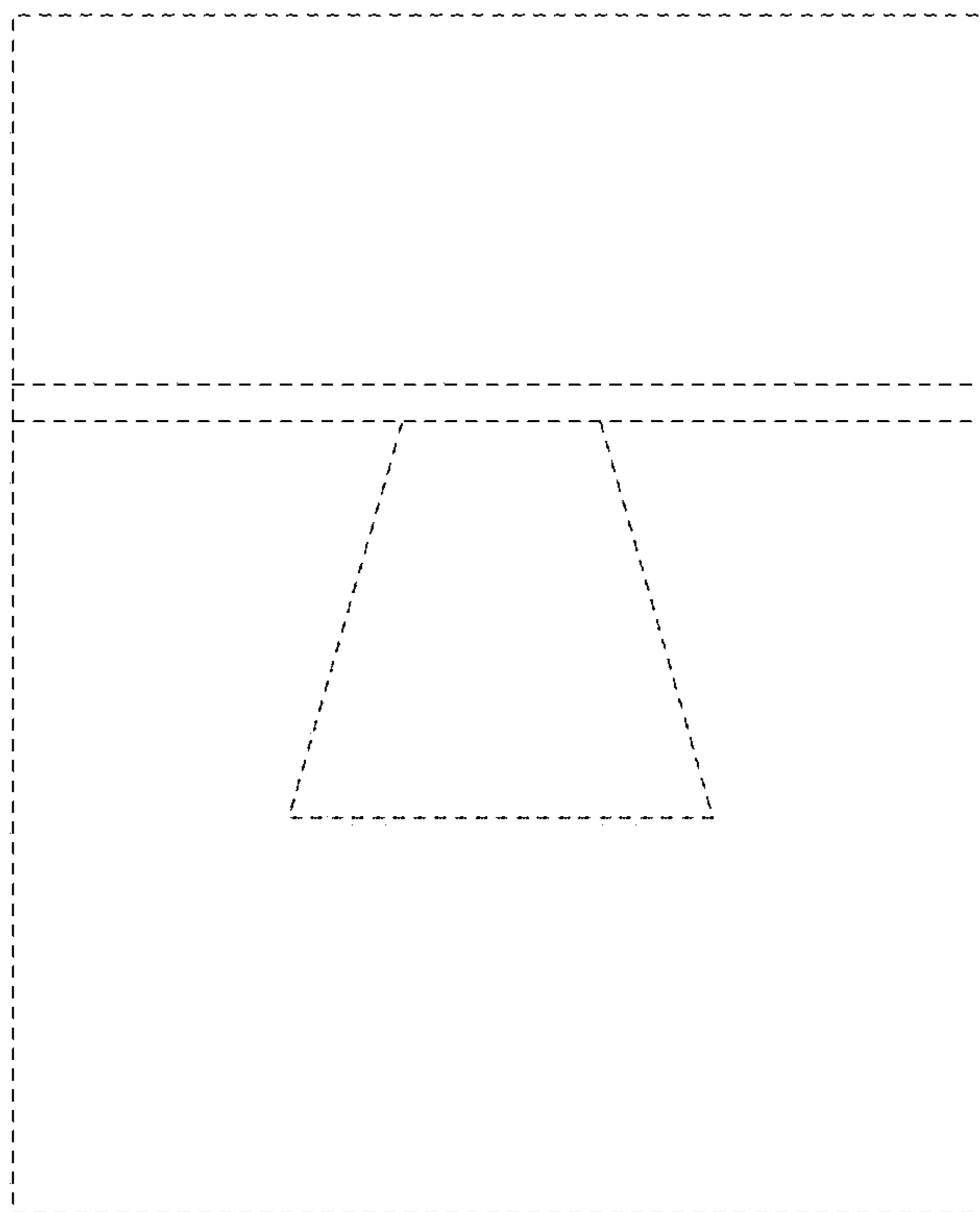


FIG. 3

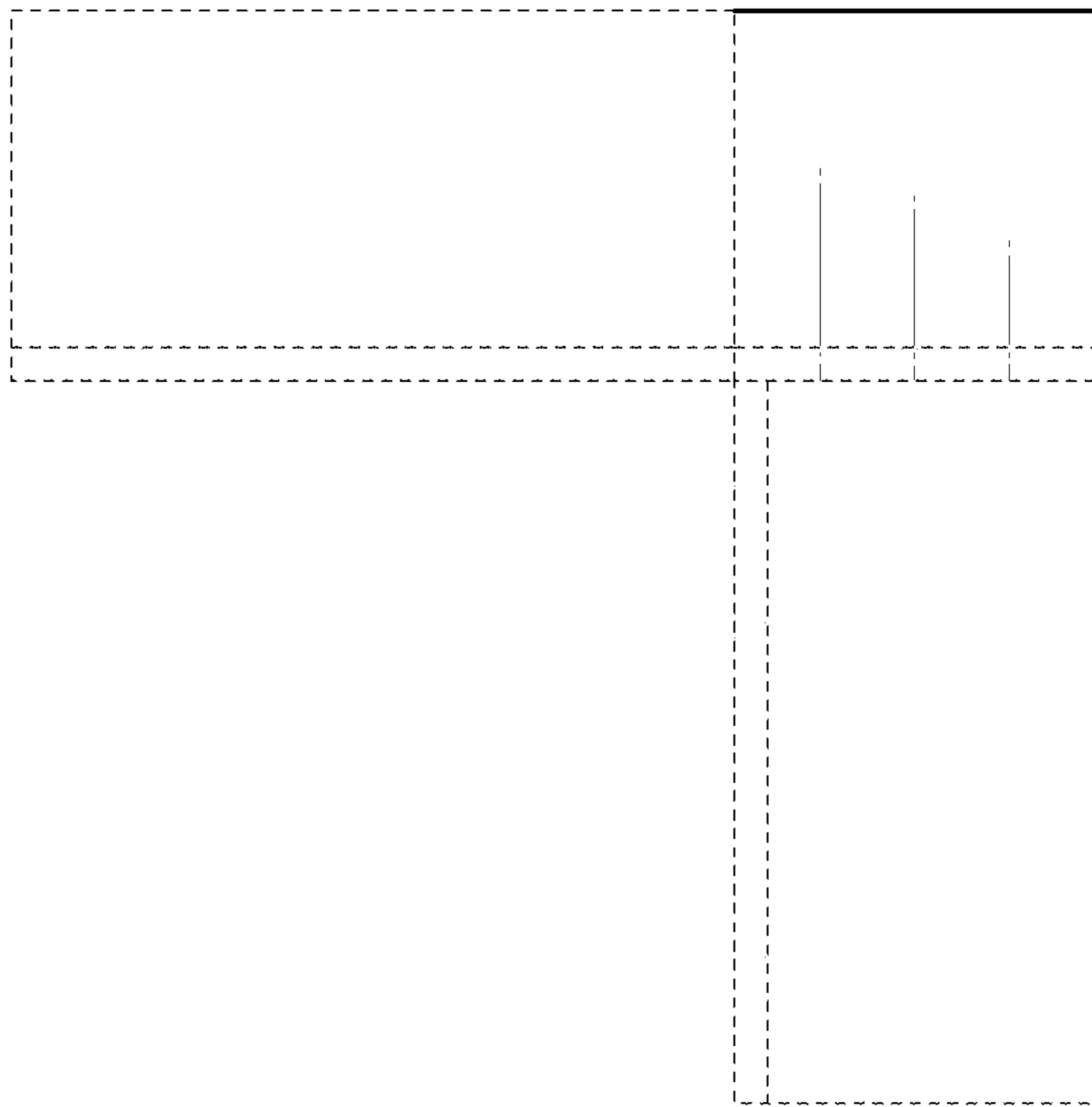


FIG. 4

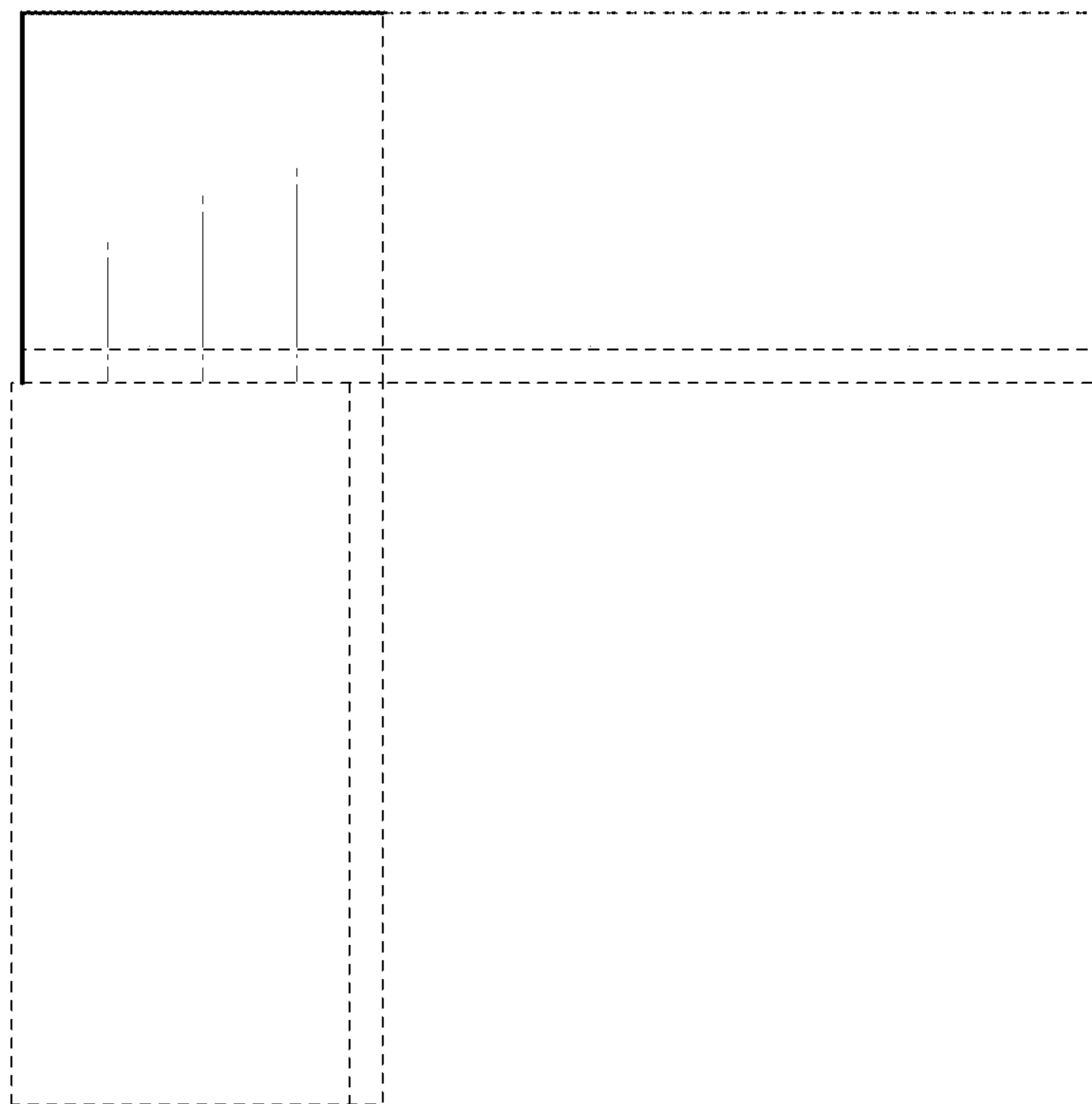


FIG. 5

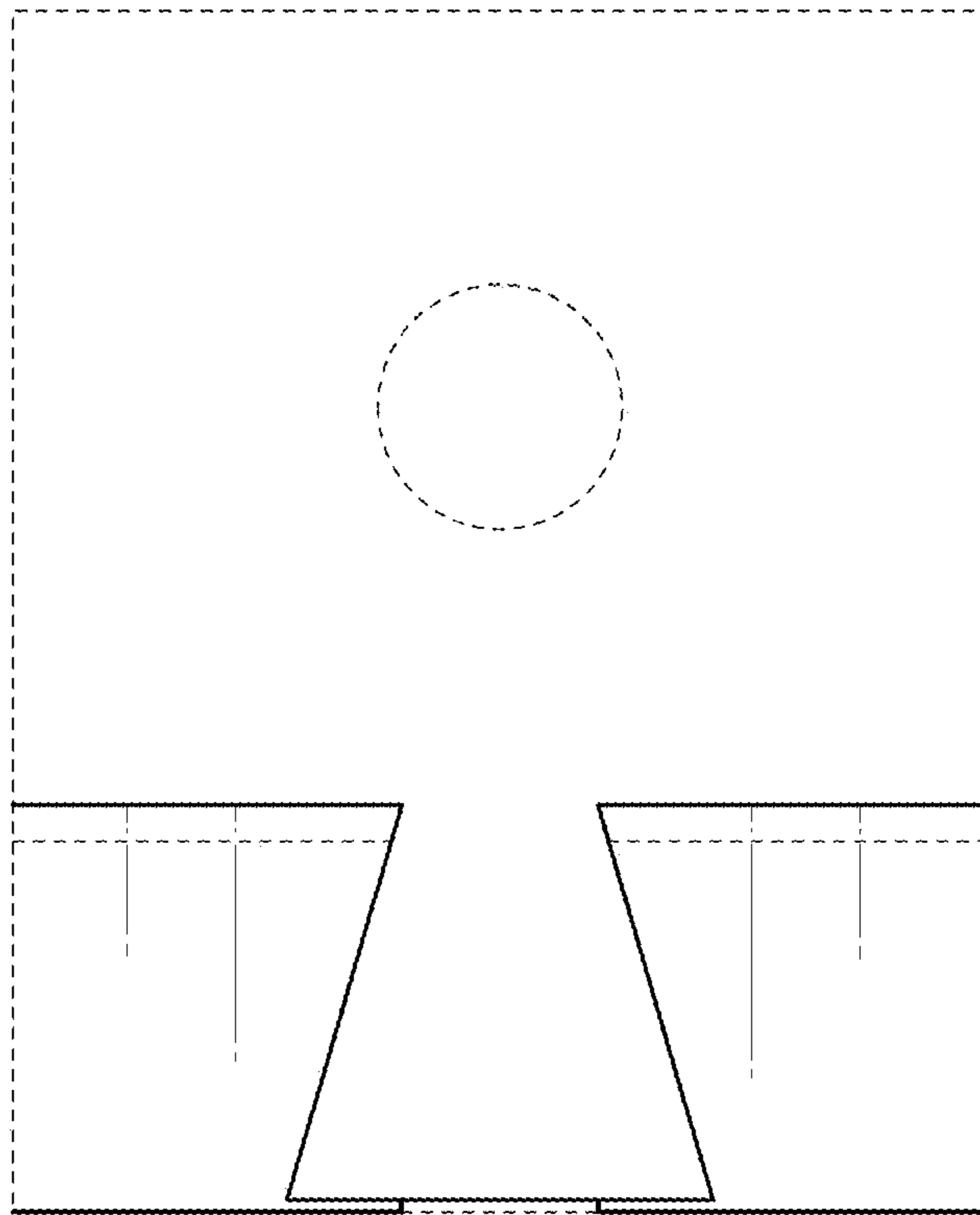


FIG. 6

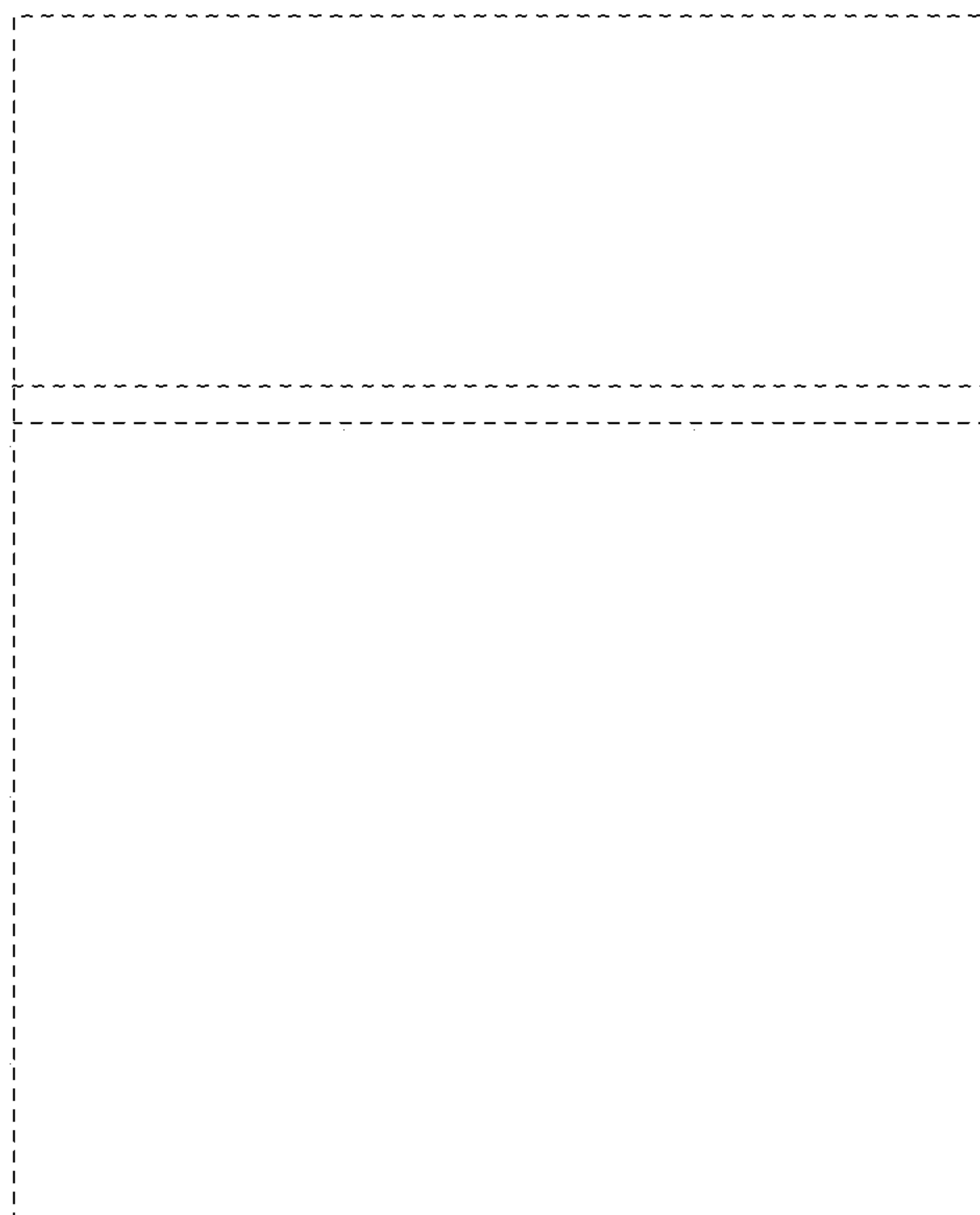


FIG. 7