



US00D986053S

(12) **United States Design Patent**  
**Hirst et al.**

(10) **Patent No.:** **US D986,053 S**  
(45) **Date of Patent:** **\*\* May 16, 2023**

(54) **PACKAGING CONTAINER**

FOREIGN PATENT DOCUMENTS

(71) Applicant: **LINPAC Packaging Limited**,  
Pontefract (GB)

JP D2020-4323 \* 9/2019

(72) Inventors: **Tom Hirst**, Huddersfield (GB); **Craig Hardwick**, Wakefield (GB); **David Beresford**, Featherstone (GB)

OTHER PUBLICATIONS

UltraTech Single Tray, posted at Amazon.com on Dec. 24, 2012, [site visited Jul. 26, 2022]. Available from internet, URL: <https://www.amazon.com/UltraTech-Polyethylene-Containment-Single-Capacity/dp/B00AU7FV9I/> (Year: 2012).\*

(73) Assignee: **LINPAC PACKAGING LIMITED**,  
Pontefract (GB)

(Continued)

(\*\*) Term: **15 Years**

*Primary Examiner* — Andrew Kerr

(21) Appl. No.: **29/773,252**

*Assistant Examiner* — Chariton Alexakis

(22) Filed: **Mar. 8, 2021**

(74) *Attorney, Agent, or Firm* — Goodwin Procter LLP

(30) **Foreign Application Priority Data**

(57) **CLAIM**

Sep. 17, 2020 (GB) ..... 6100881

The ornamental design for a packaging container, as shown and described.

(51) **LOC (14) Cl.** ..... **09-03**

(52) **U.S. Cl.**  
USPC ..... **D9/425**

**DESCRIPTION**

(58) **Field of Classification Search**

USPC ..... D9/414, 423, 424, 425, 427, 432, 436, D9/449, 456, 736, 744, 745, 749, 755, D9/758, 760; D7/388, 396.1, 500, 549, D7/550.1, 554.3, 586, 600.1; D19/92; D30/161; D32/53.1, 55, 56  
CPC ..... A01K 1/011; A01K 1/0114; A47G 23/06; A47G 23/0608; A47J 47/00; A47J 47/02; A47J 47/20; A47L 19/02; B25H 3/06; B42F 7/10; B42F 7/12; B65D 1/34; B65D 81/3813; F16N 31/002; F16N 31/006; Y10S 229/908

FIG. 1 is a isometric view of a first portion of a packaging container;  
FIG. 2 is a top plan view thereof;  
FIG. 3 is a bottom plan view thereof;  
FIG. 4 is an isometric view of a second portion of the packaging container;  
FIG. 5 is a top plan view thereof;  
FIG. 6 is a bottom plan view thereof;  
FIG. 7 is an isometric view of a packaging container, showing our new design;  
FIG. 8 is another isometric view thereof;  
FIG. 9 is a front elevation view thereof;  
FIG. 10 is a left-side elevation view thereof;  
FIG. 11 is a top plan view thereof; and,  
FIG. 12 is a bottom plan view thereof.

See application file for complete search history.

The short, broken lines shown in FIG. 6 illustrate portions of the packaging container that form no part of the claimed design.

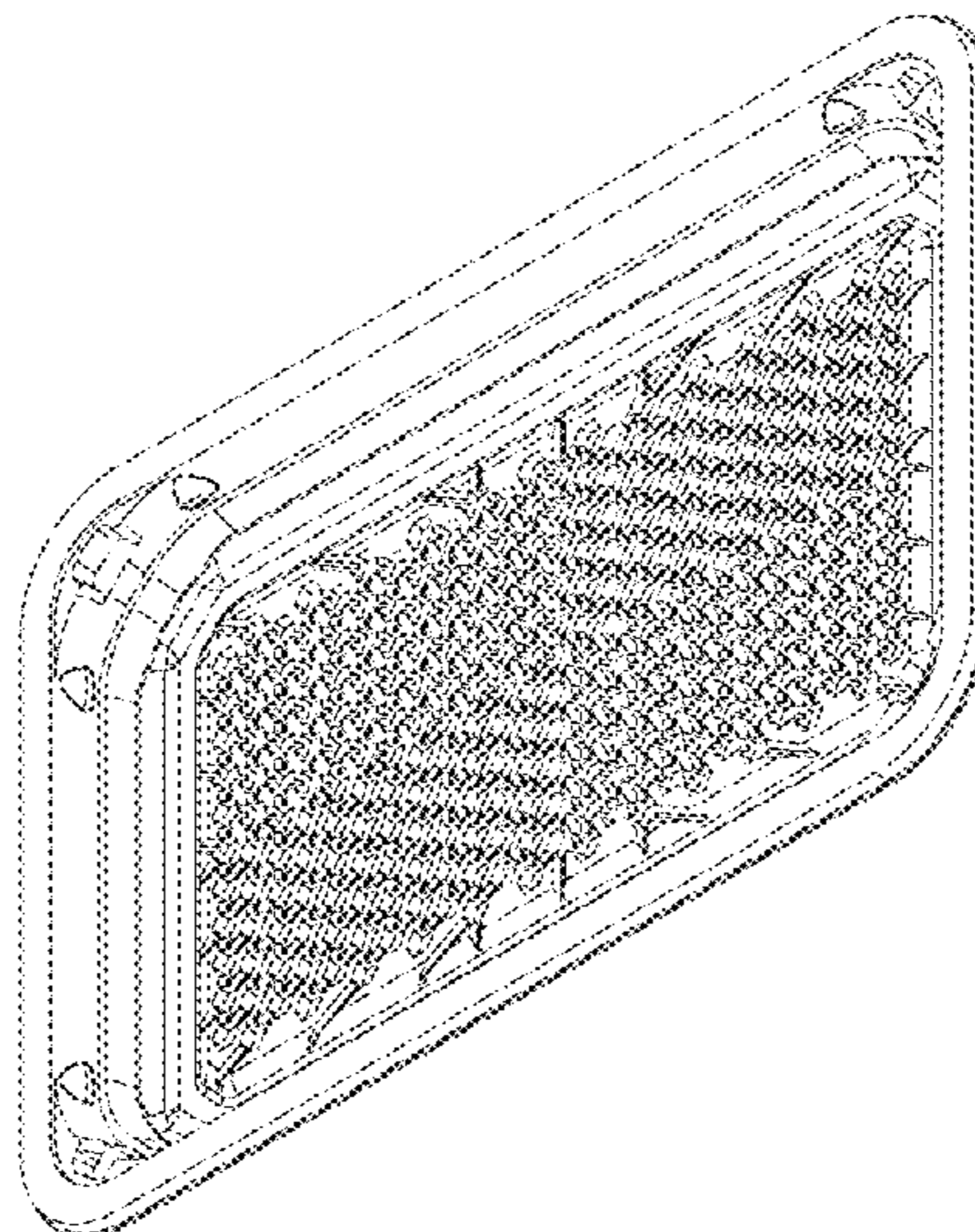
(56) **References Cited**

U.S. PATENT DOCUMENTS

D206,497 S \* 12/1966 Donovan ..... D9/425  
D206,687 S \* 1/1967 Peace ..... D9/425

(Continued)

**1 Claim, 12 Drawing Sheets**



(56)

**References Cited**

U.S. PATENT DOCUMENTS

D217,338	S *	4/1970	Britt .....	D9/425
D218,022	S *	7/1970	Clayton .....	D9/425
4,195,746	A *	4/1980	Cottrell .....	B65D 1/34 428/116
D263,268	S *	3/1982	Rein .....	D7/359
4,349,146	A *	9/1982	Holden .....	B65D 1/34 229/407
D514,874	S *	2/2006	Eckley .....	D7/356
D692,296	S *	10/2013	Cooper .....	D9/424
D723,324	S *	3/2015	Feriola .....	D7/354
D766,647	S *	9/2016	Calkins .....	D7/354
D770,232	S *	11/2016	Brown .....	D7/554.3
D800,492	S *	10/2017	Sarnoff .....	D7/354
D869,272	S *	12/2019	Phan .....	D9/434
D891,513	S *	7/2020	Sakai .....	B65D 1/34 D19/111
D923,413	S *	6/2021	Zemel .....	B65D 1/34 D7/550.1
D925,987	S *	7/2021	Mo .....	A01K 63/006 D7/554.3
D935,283	S *	11/2021	Veldkamp .....	A47J 36/28 D7/637
2014/0238652	A1 *	8/2014	Agostini .....	A47J 36/28 165/185
2015/0353232	A1 *	12/2015	Kandel .....	A01K 63/006 47/65.5

OTHER PUBLICATIONS

Muduoban Seed Sprouter Trays, posted at Amazon.com on Nov. 9, 2020, [site visited Jul. 26, 2022]. Available from internet, URL: <<https://www.amazon.com/dp/B08MZG91KB/>> (Year: 2020).\*

\* cited by examiner



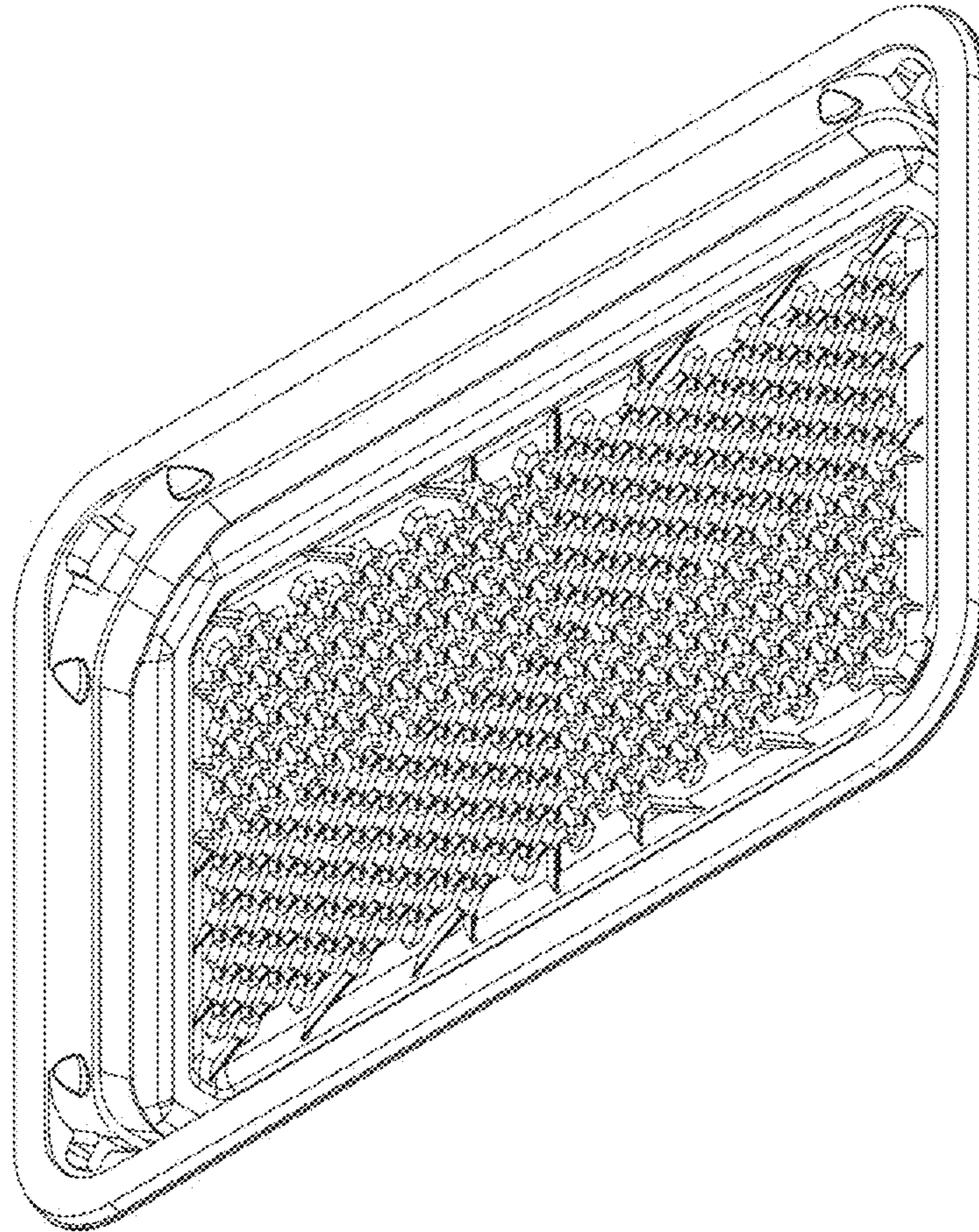


FIG. 1

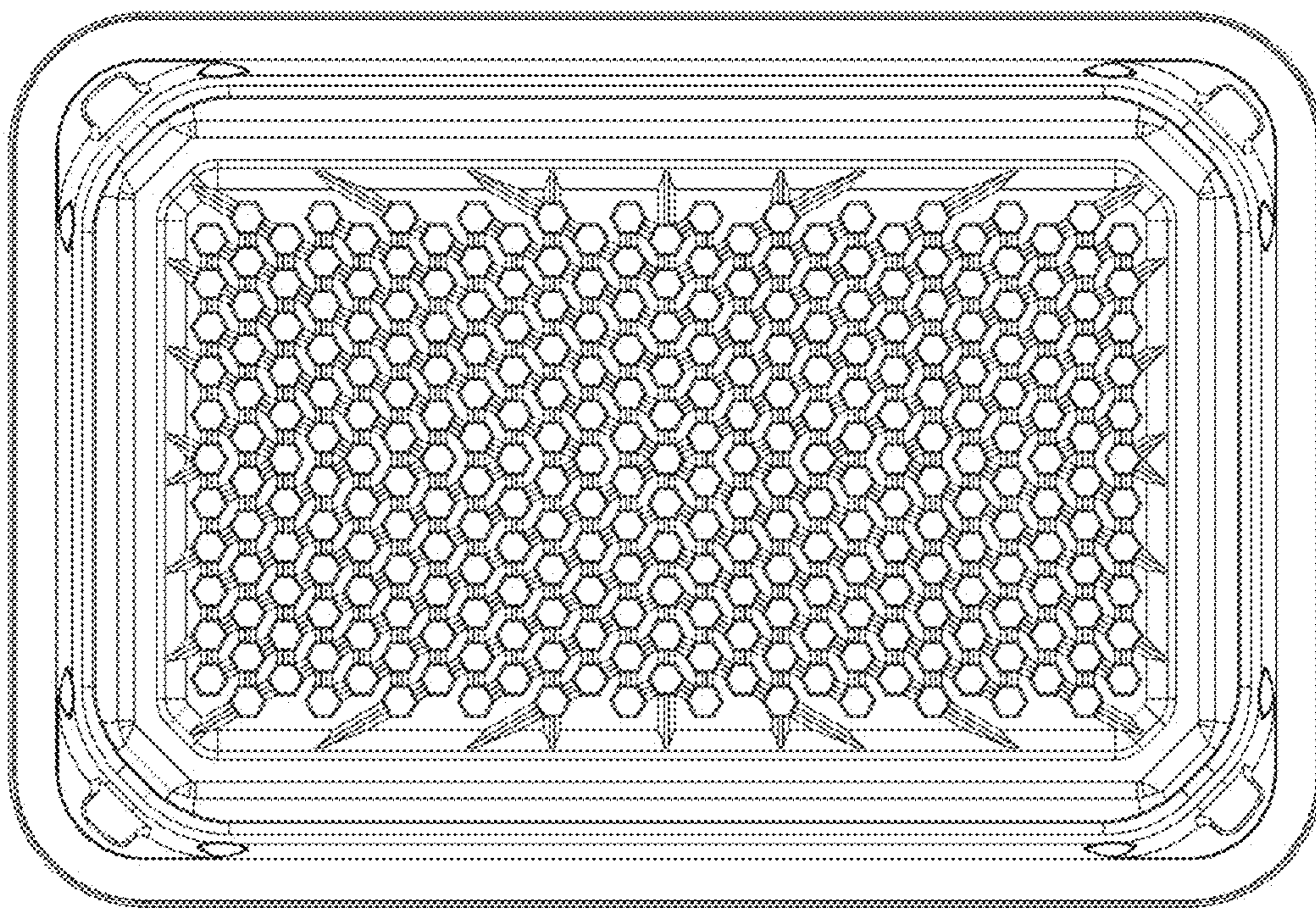


Fig. 2



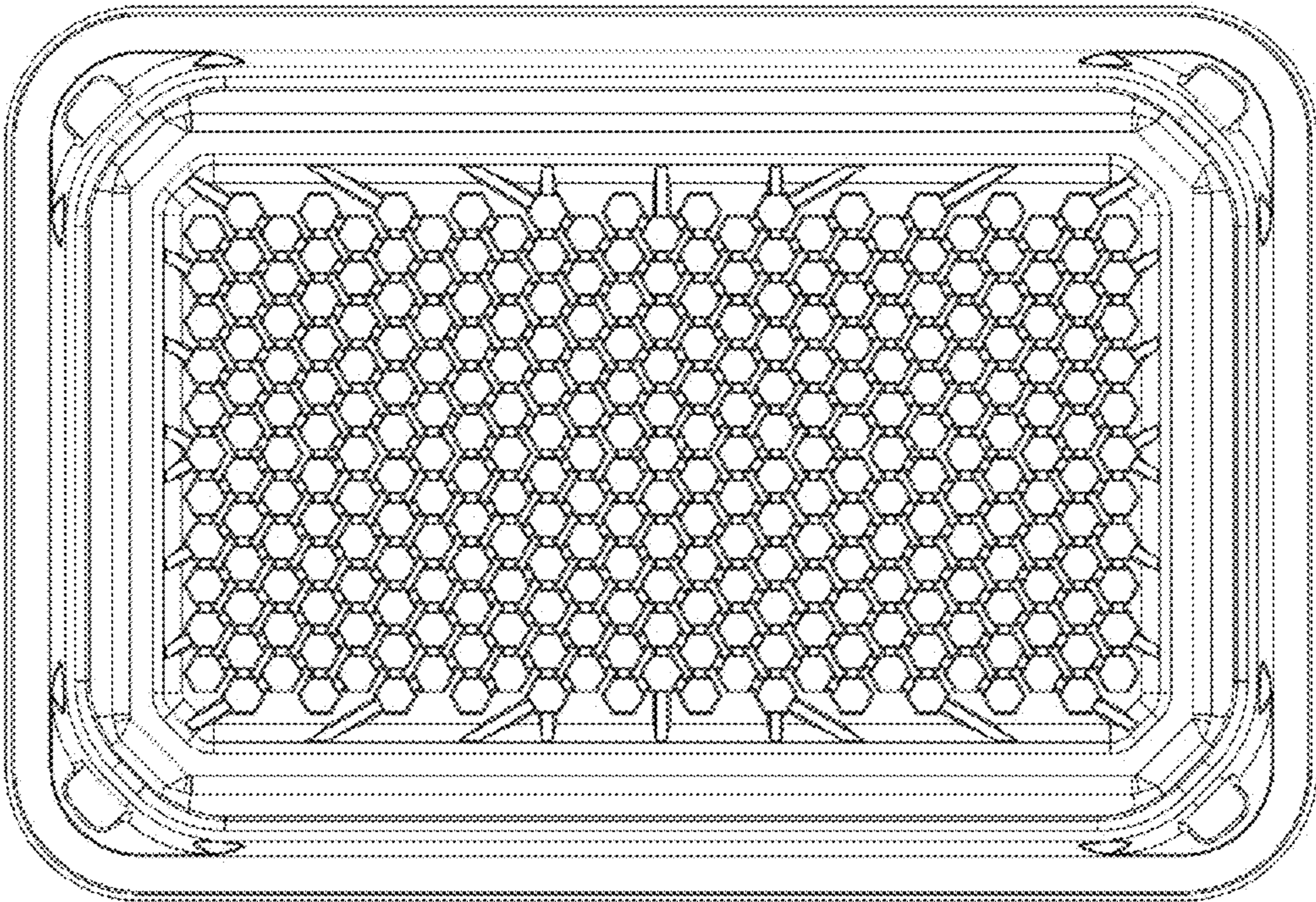


Fig. 3

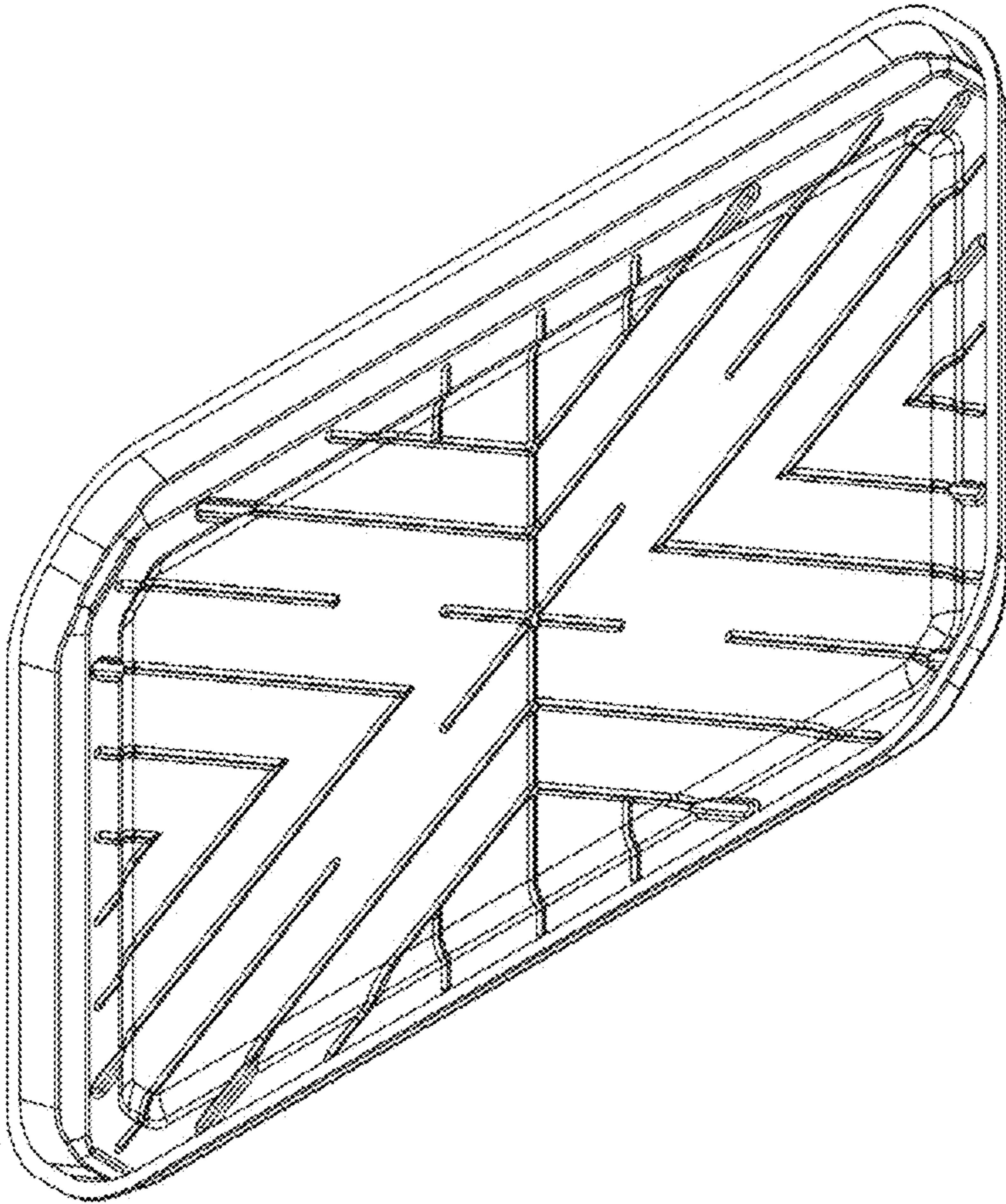


Fig. 4



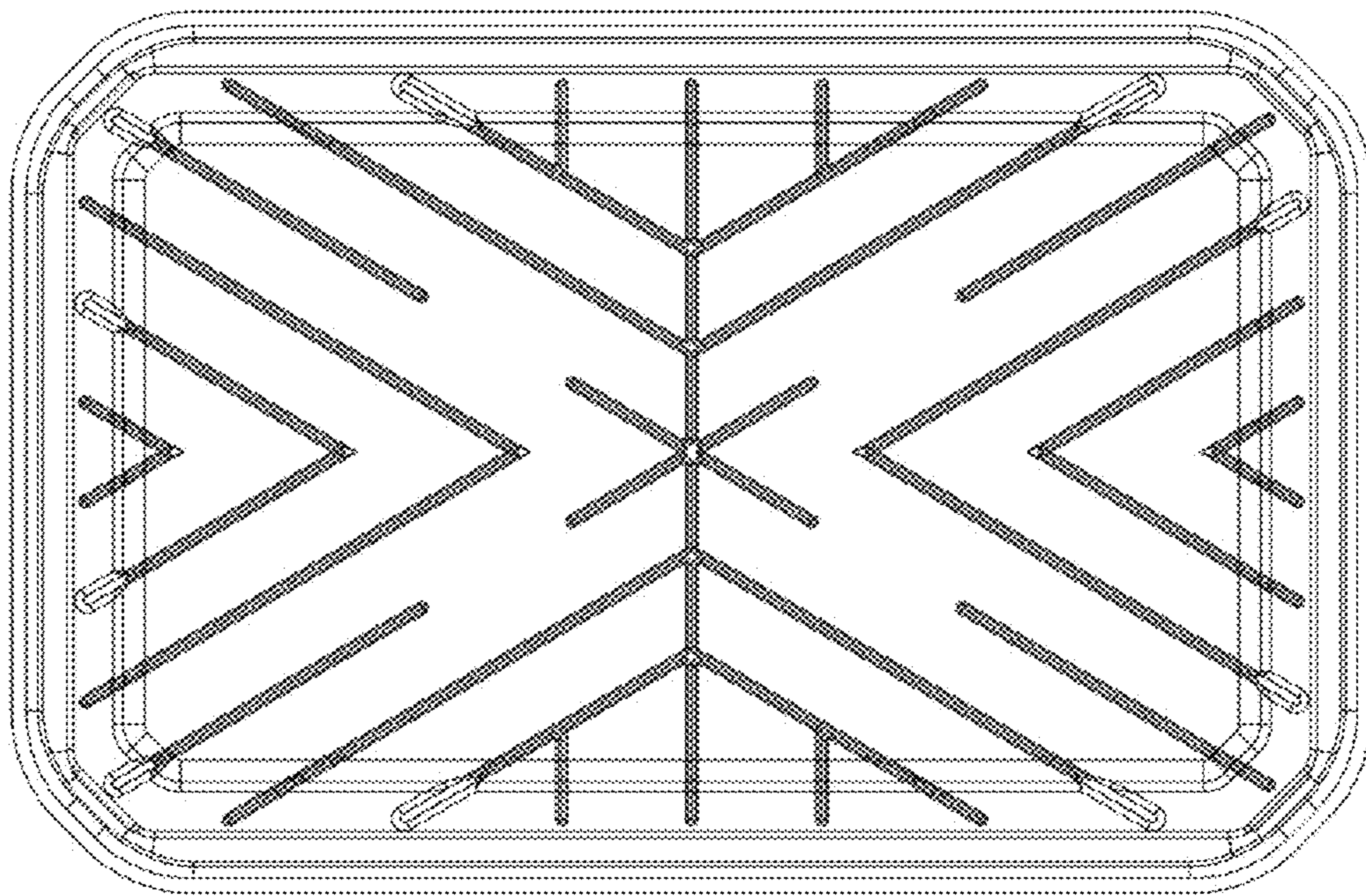


Fig. 5

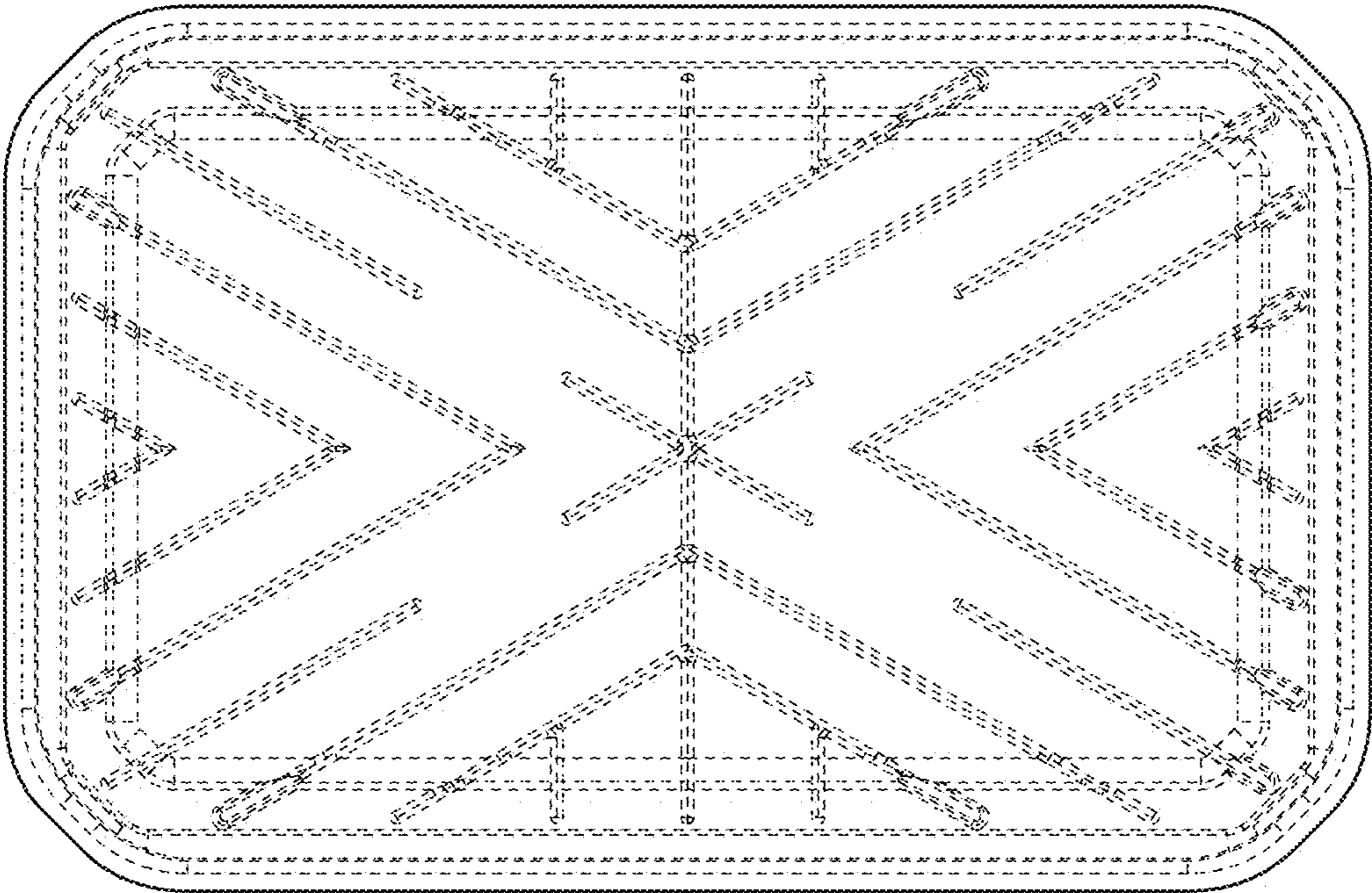


Fig. 6



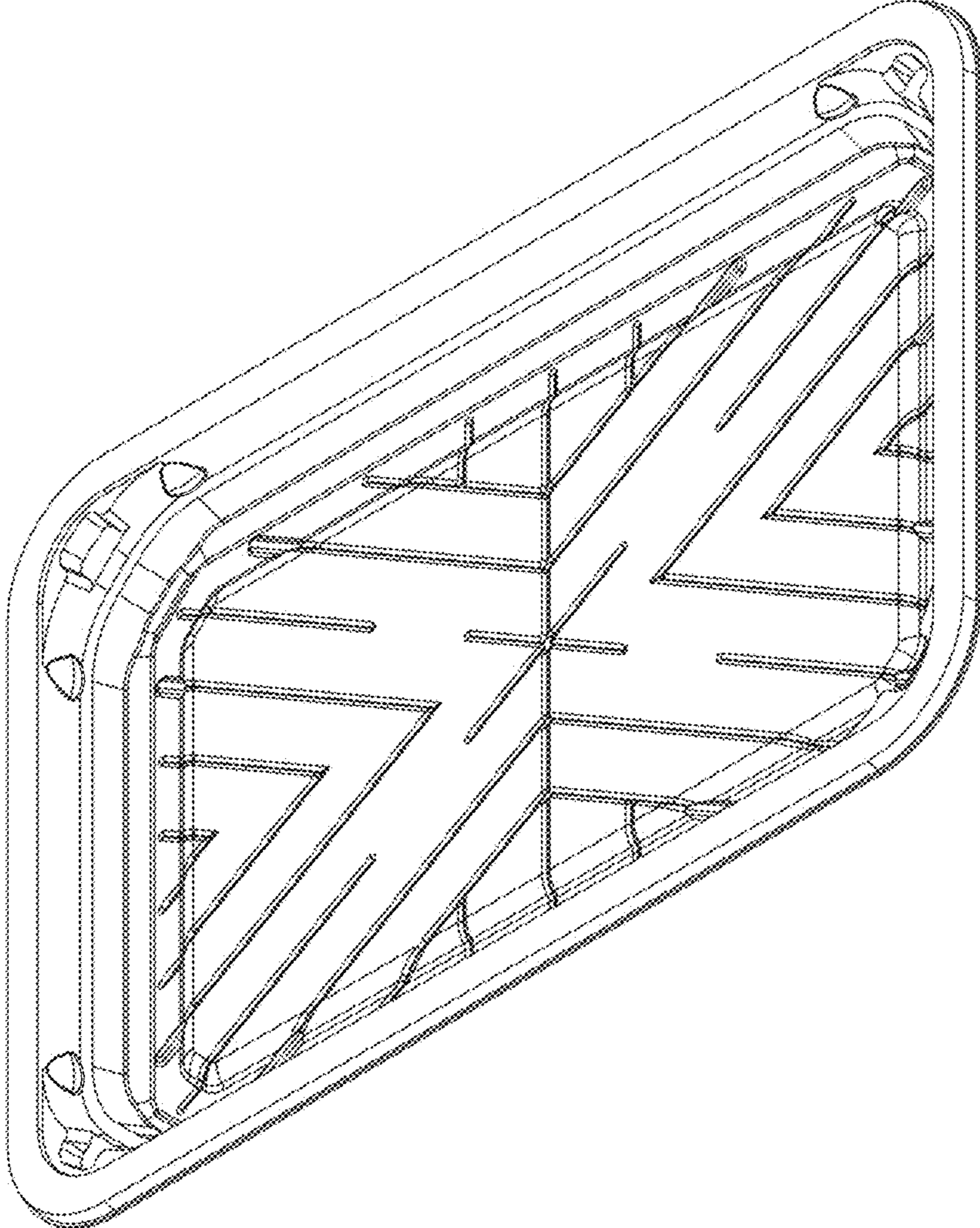


Fig. 7

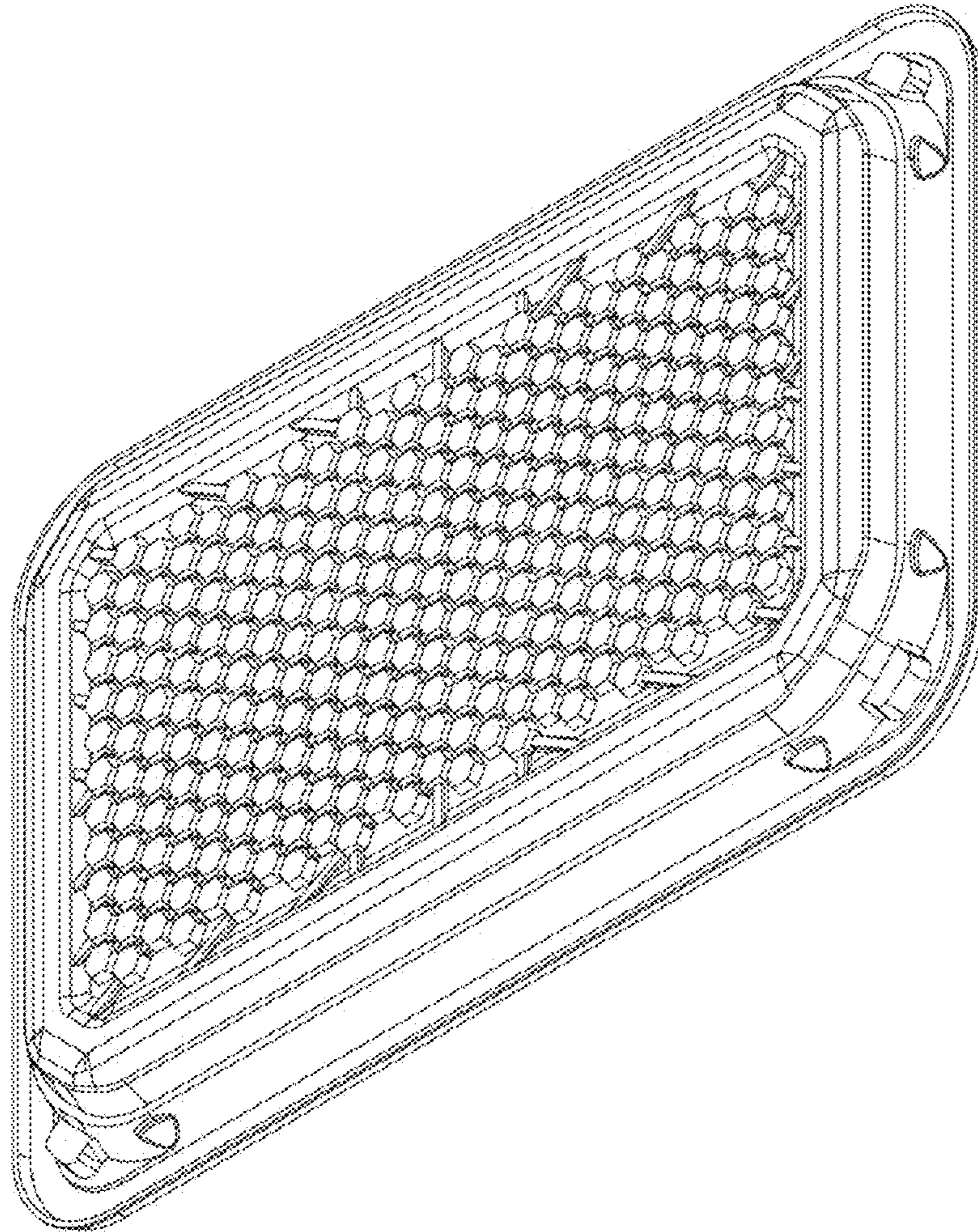


Fig. 8



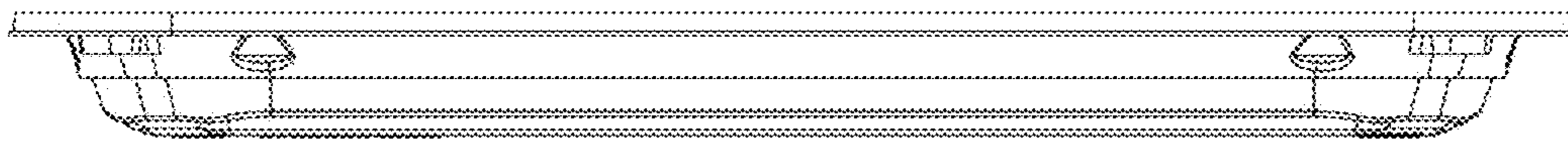


Fig. 9

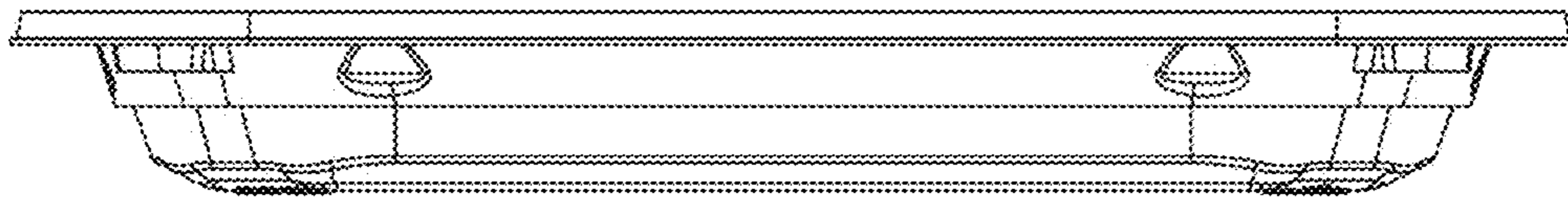


Fig. 10



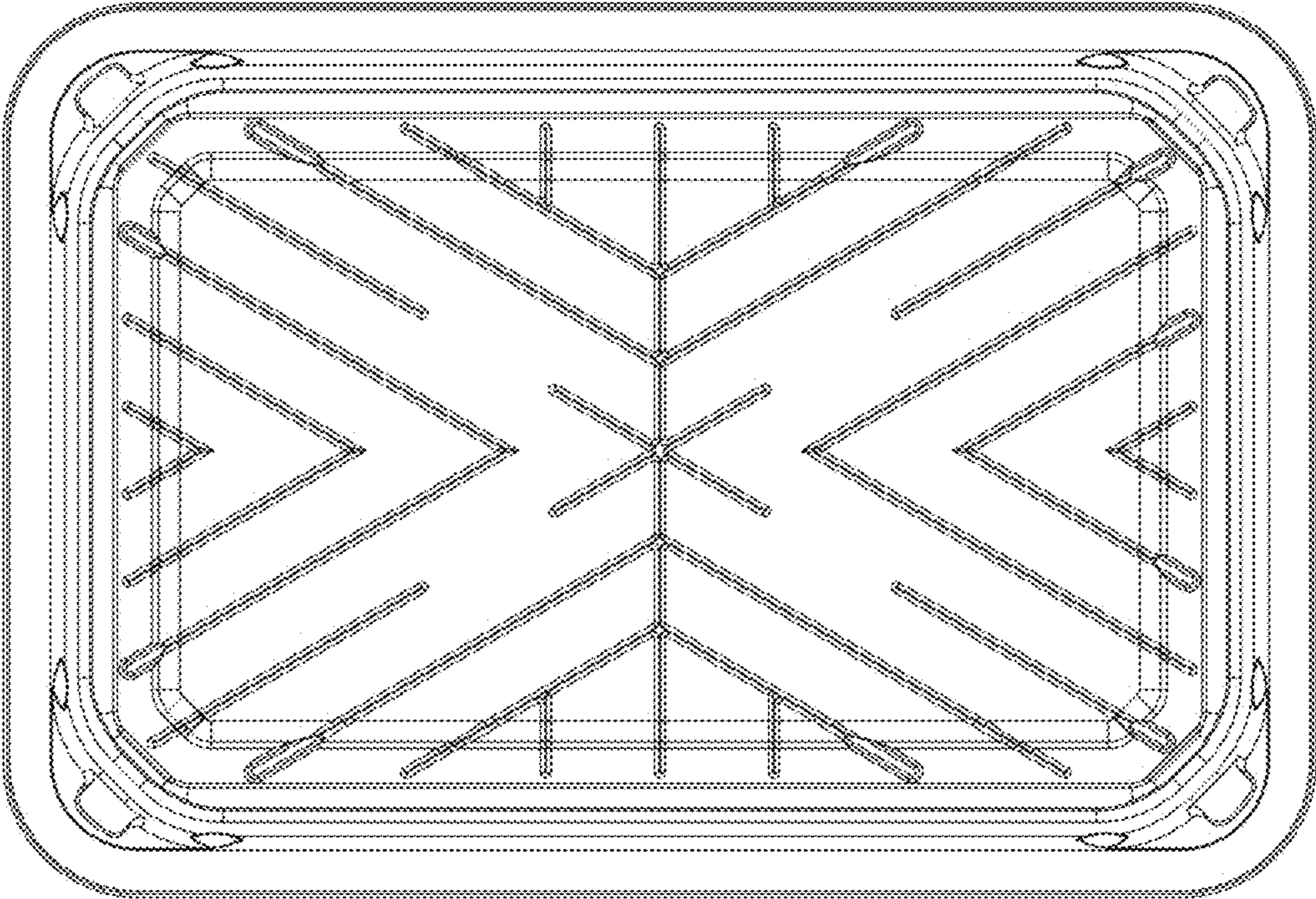


Fig. 11

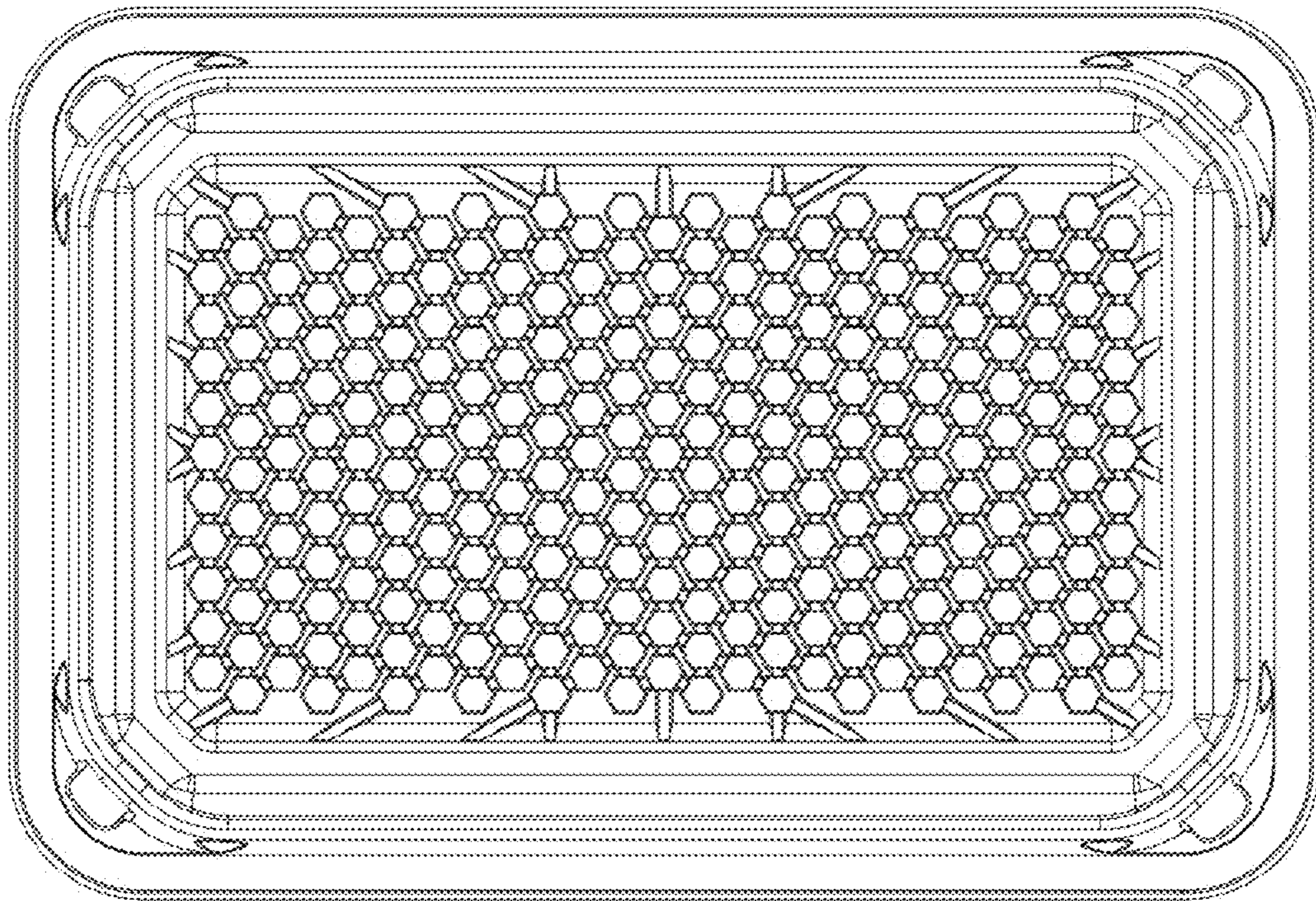


Fig. 12