



US00D986051S

(12) **United States Design Patent**
Flynn et al.

(10) **Patent No.: US D986,051 S**

(45) **Date of Patent: ** *May 16, 2023**

(54) **GIFT BOX**

(71) Applicant: **Dyson Technology Limited**, Wiltshire (GB)

(72) Inventors: **Andrew Drummond Flynn**, Bristol (GB); **Imogen Elizabeth Adams**, Reading (GB); **Emily Mary Menzies**, Bristol (GB); **George Joseph Moone**, Bristol (GB)

(73) Assignee: **Dyson Technology Limited**, Malmesbury (GB)

(*) Notice: This patent is subject to a terminal disclaimer.

(**) Term: **15 Years**

(21) Appl. No.: **29/786,786**

(22) Filed: **Jun. 2, 2021**

(30) **Foreign Application Priority Data**

Dec. 3, 2020 (EM) 008308415-0001

(51) **LOC (14) Cl.** **09-03**

(52) **U.S. Cl.**
USPC **D9/428**

(58) **Field of Classification Search**
USPC D9/503, 414, 600, 415, 423, 428, 432, D9/424, 529, 558, 575; D28/86, 76, 59, D28/4-7, 18; D7/601-602, 678, D7/538-548, 504-505; D24/189; D3/201, 203.1, 205, 203.5, 294
CPC A45D 40/20; A45D 40/26; A45D 40/261; A45D 40/262; B65D 1/00; B65D 1/02; B65D 1/24; B65D 2501/00; B65D 2501/09; B65D 21/0204

See application file for complete search history.

(56) **References Cited**

U.S. PATENT DOCUMENTS

D390,103 S * 2/1998 Gerson D9/600
D481,532 S * 11/2003 Sayers D3/203.1

D491,288 S * 6/2004 Young D9/503
D499,653 S * 12/2004 Karim D3/203.5
D501,714 S * 2/2005 Trybus D3/205
D583,548 S * 12/2008 Oas D3/203.2

(Continued)

FOREIGN PATENT DOCUMENTS

CN 300787278 * 6/2008
CN 307188843 * 3/2022
NZ 413876-0001 * 9/2010

OTHER PUBLICATIONS

Speckled Stars Oval Trinket Box. Date first available: 2019. Site visited: Oct. 11, 2022. Available online: <https://www.lisaangel.co.uk/speckled-stars-oval-trinket-box> (Year: 2019).*

(Continued)

Primary Examiner — Catherine S Posthauer

Assistant Examiner — Joan E. Diehl

(74) *Attorney, Agent, or Firm* — Faegre Drinker Biddle & Reath LLP

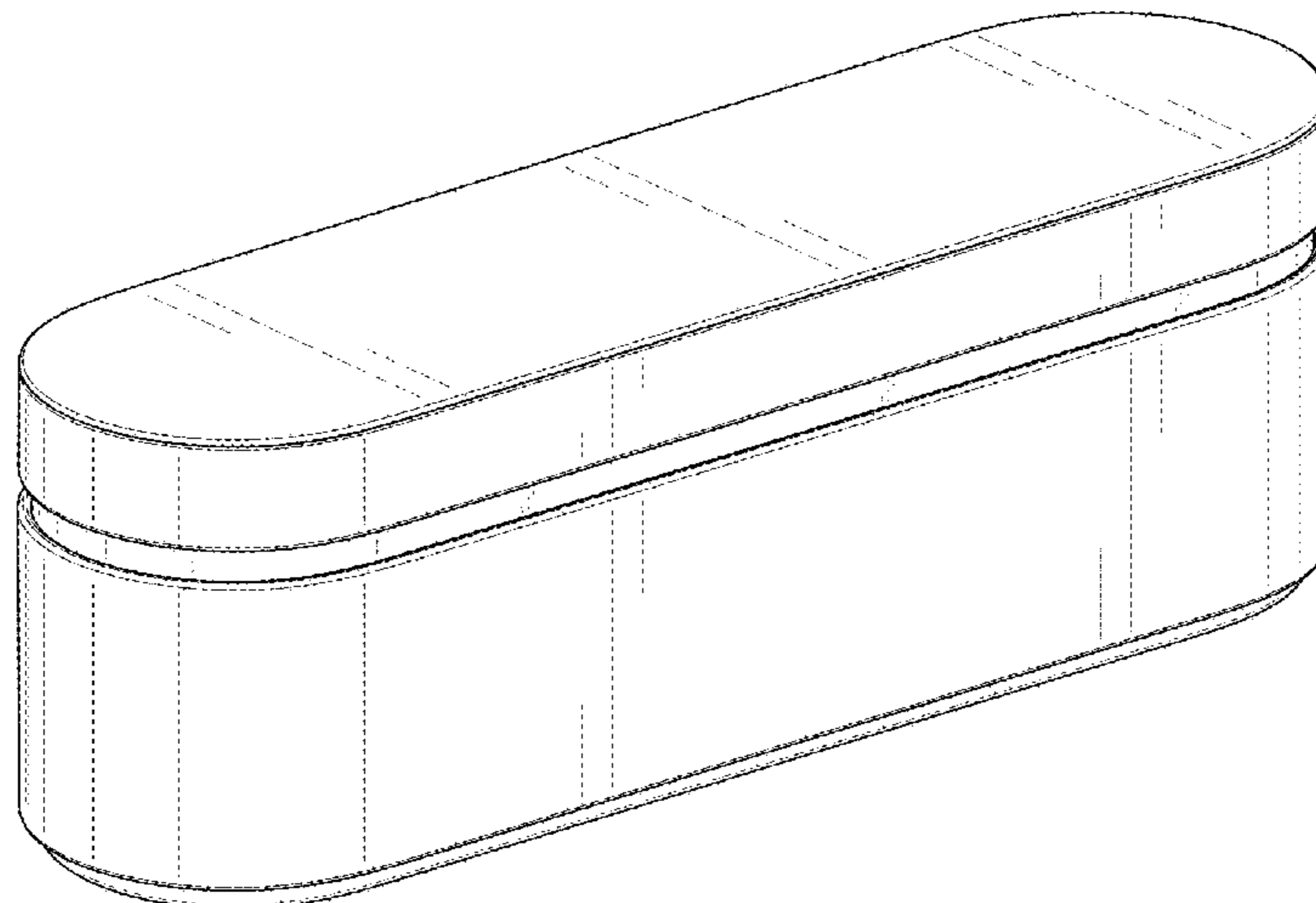
(57) **CLAIM**

We claim the ornamental design for a gift box, as shown and described.

DESCRIPTION

FIG. 1 is a top perspective view of a gift box showing our new design;
FIG. 2 is a top view thereof;
FIG. 3 is a side view thereof;
FIG. 4 is a bottom view thereof;
FIG. 5 is a front view thereof;
FIG. 6 is a side view of the opposite side from that of FIG. 3; and,
FIG. 7 is a rear view thereof.

1 Claim, 7 Drawing Sheets



(56)

References Cited

U.S. PATENT DOCUMENTS

D586,557 S	*	2/2009	Jalet	D3/294
D637,076 S	*	5/2011	Akana	D9/430
D665,253 S	*	8/2012	Bellamah	D9/424
D673,848 S	*	1/2013	Bailey	D9/428
D831,479 S	*	10/2018	Lylyk	D9/432
D875,310 S	*	2/2020	Thompson	D28/18
D939,204 S	*	12/2021	Shin	D3/205

OTHER PUBLICATIONS

Dyson Limited Edition Supersonic™ Hair Dryer Gift Set. Date first available: Aug. 6, 2016. Site visited: Oct. 11, 2022. Available online: <https://www.sephora.com/product/limited-edition-supersonic-hair-dryer-dyson-gift-set-P481389> (Year: 2016).*

ECOlunchbox Oval with Cup Stainless Steel Lunch Box Set—YouTube. Date posted: May 13, 2014. Site visited: Oct. 11, 2022. Available online: May 13, 2014 (Year: 2014).*

“Dyson’s Holiday 2022 Gift Sets Come in the Brand’s Prettiest Colorway Yet,” by Sarah Han in Allure.com. Date published: Aug. 26, 2022. Site visited: Oct. 11, 2022. Available online: <https://www.allure.com/story/dyson-holiday-2022-gift-sets> (Year: 2022).*

* cited by examiner

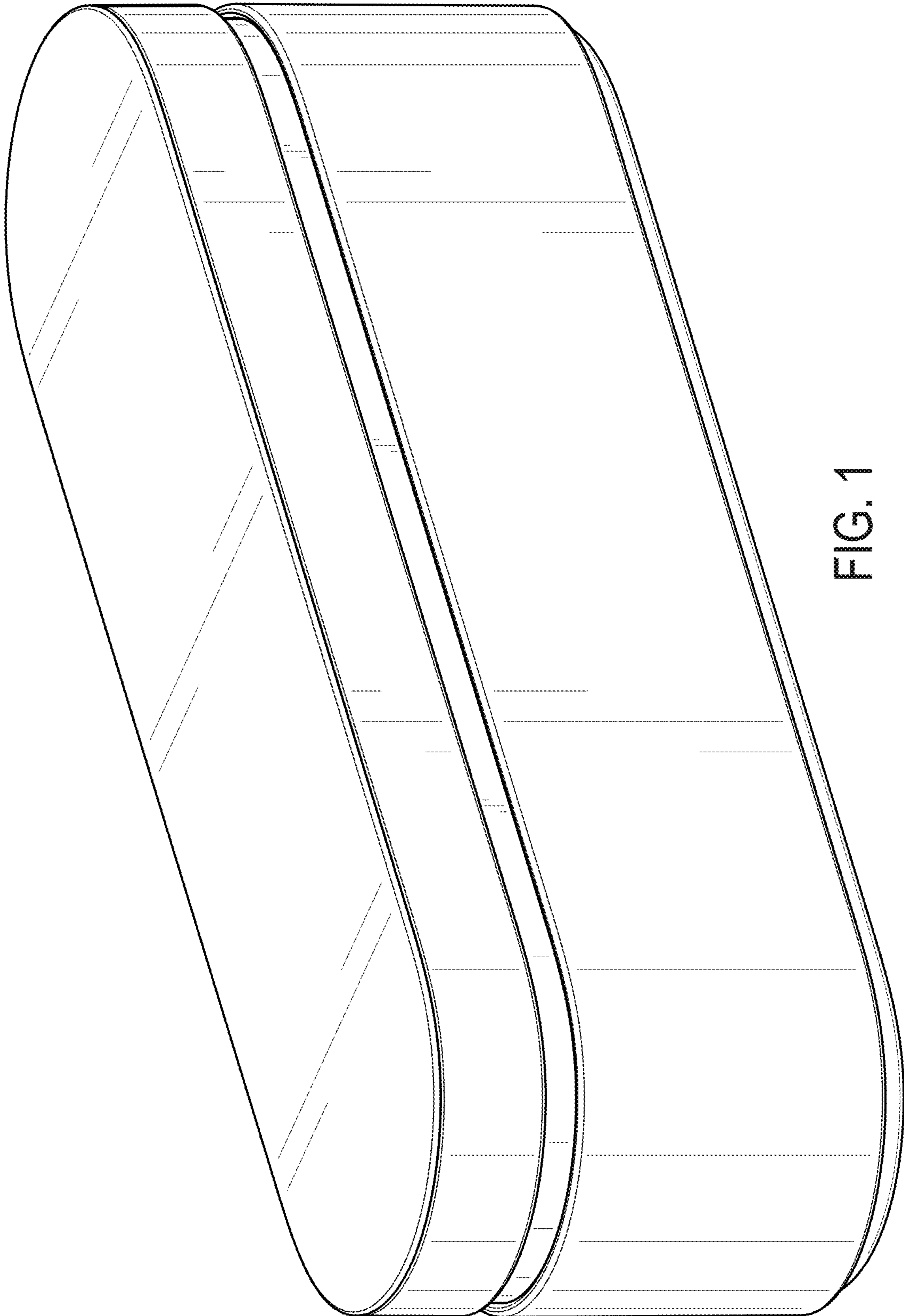


FIG. 1

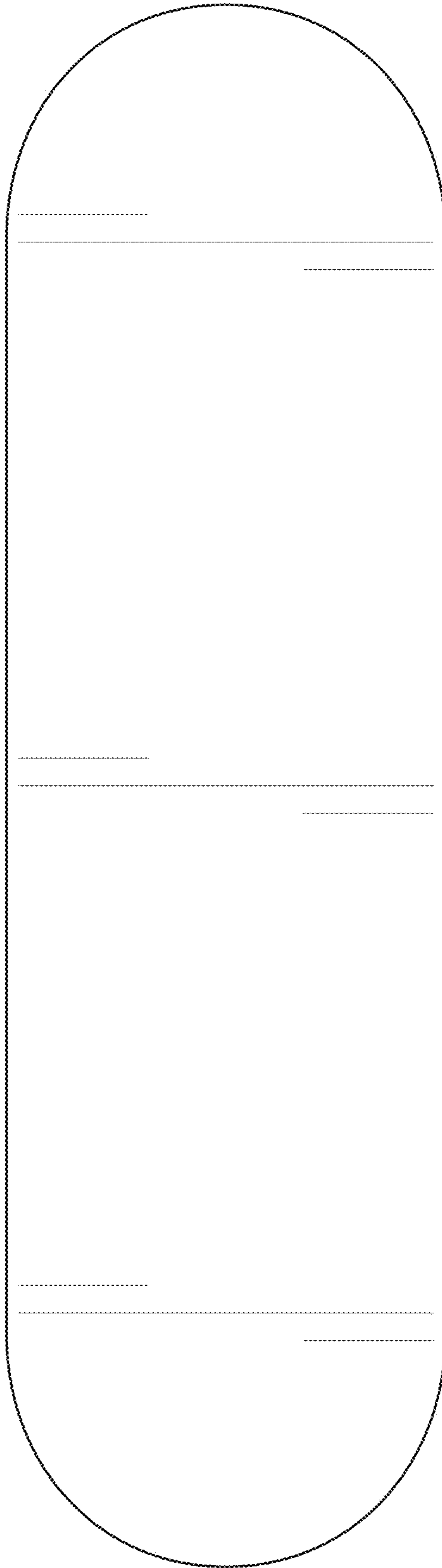


FIG. 2

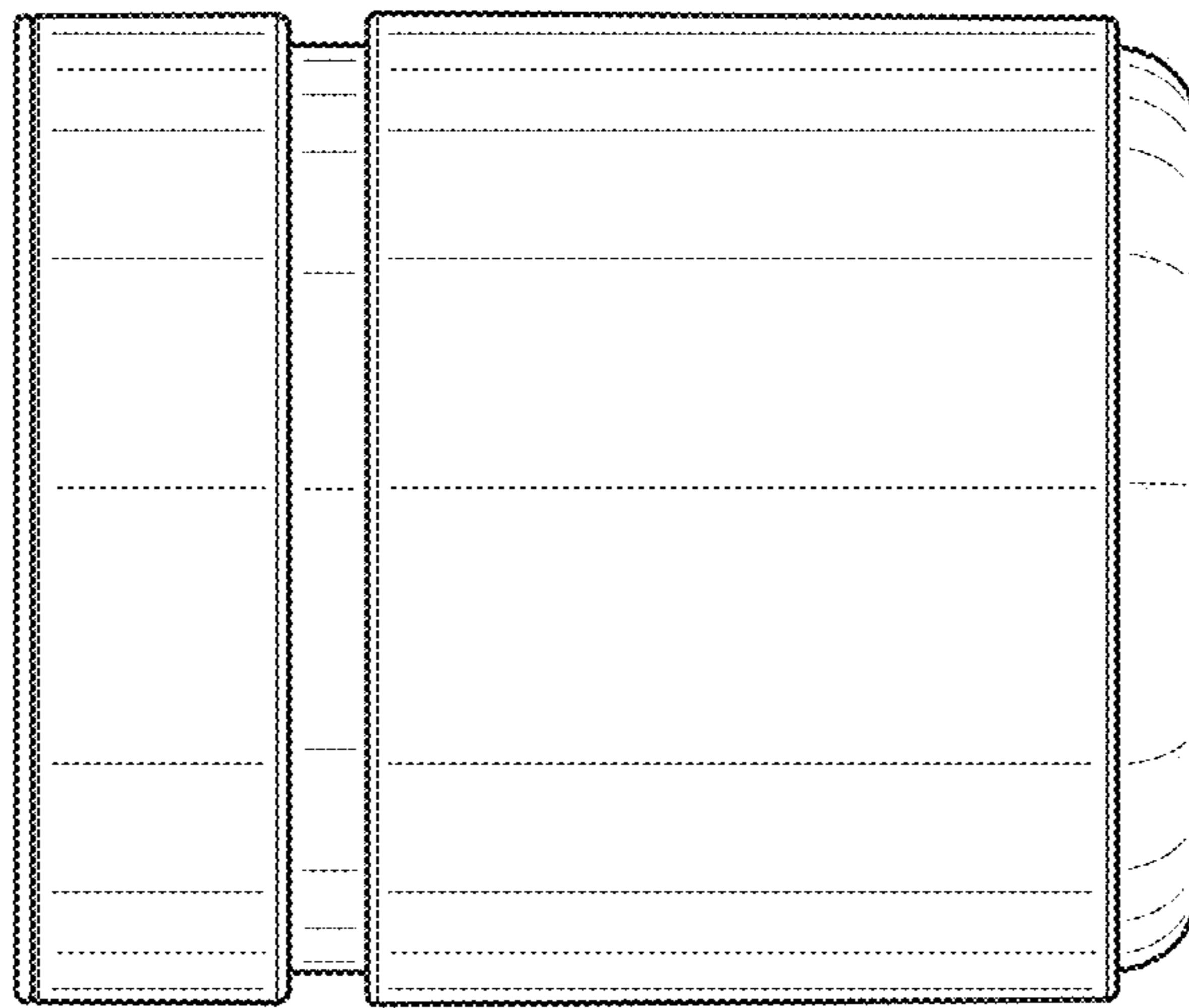


FIG. 3

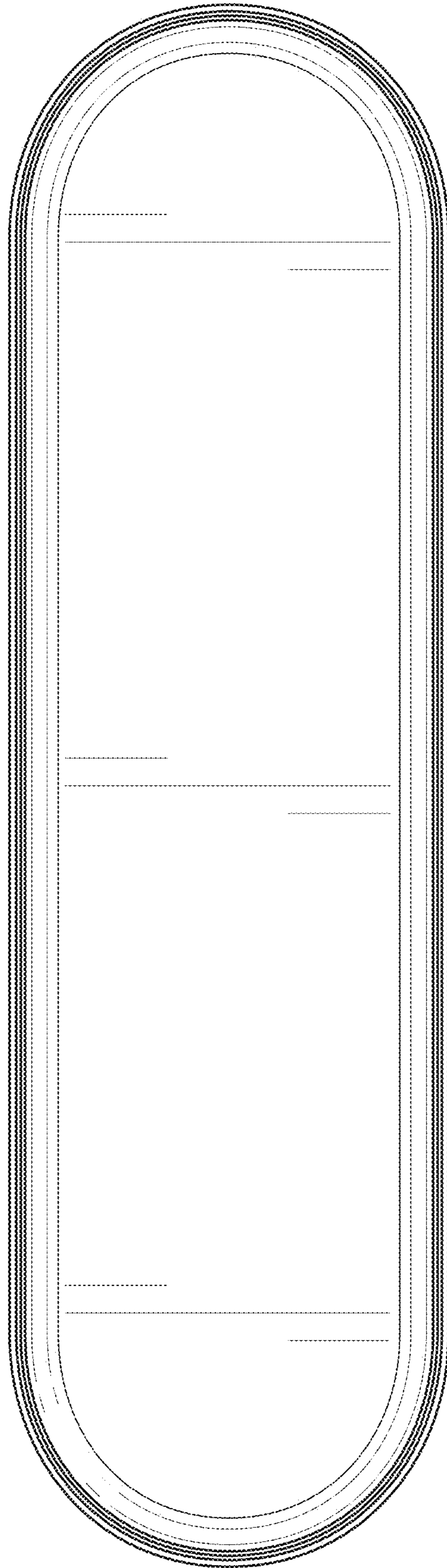


FIG. 4

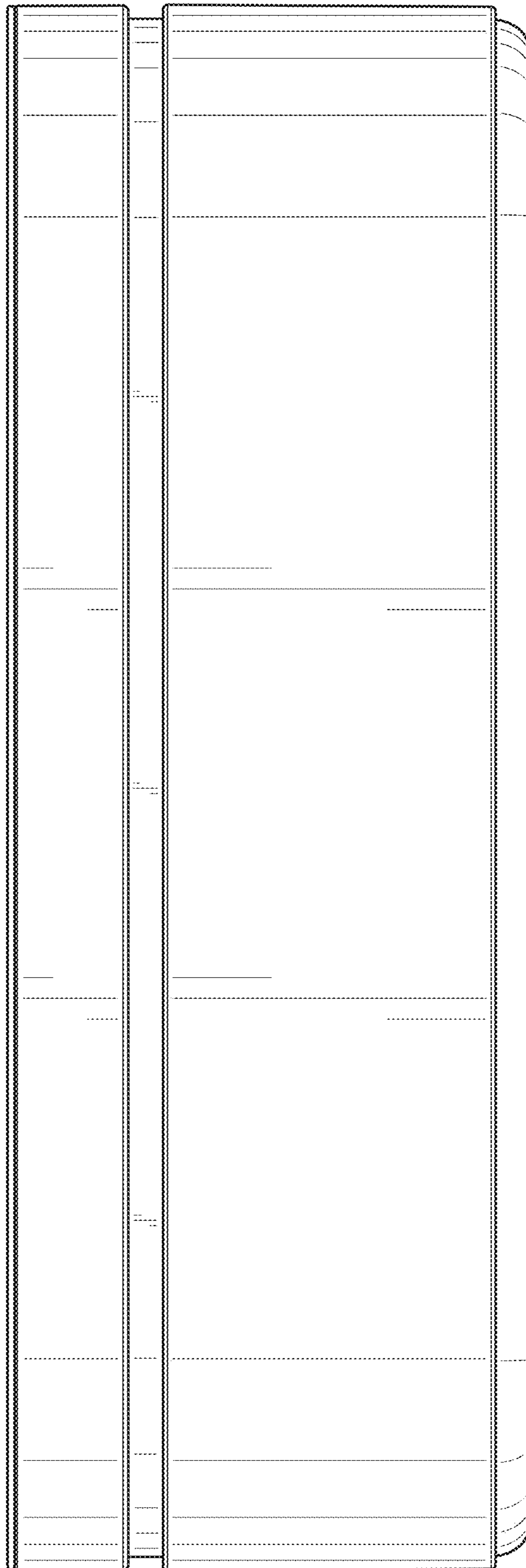


FIG. 5

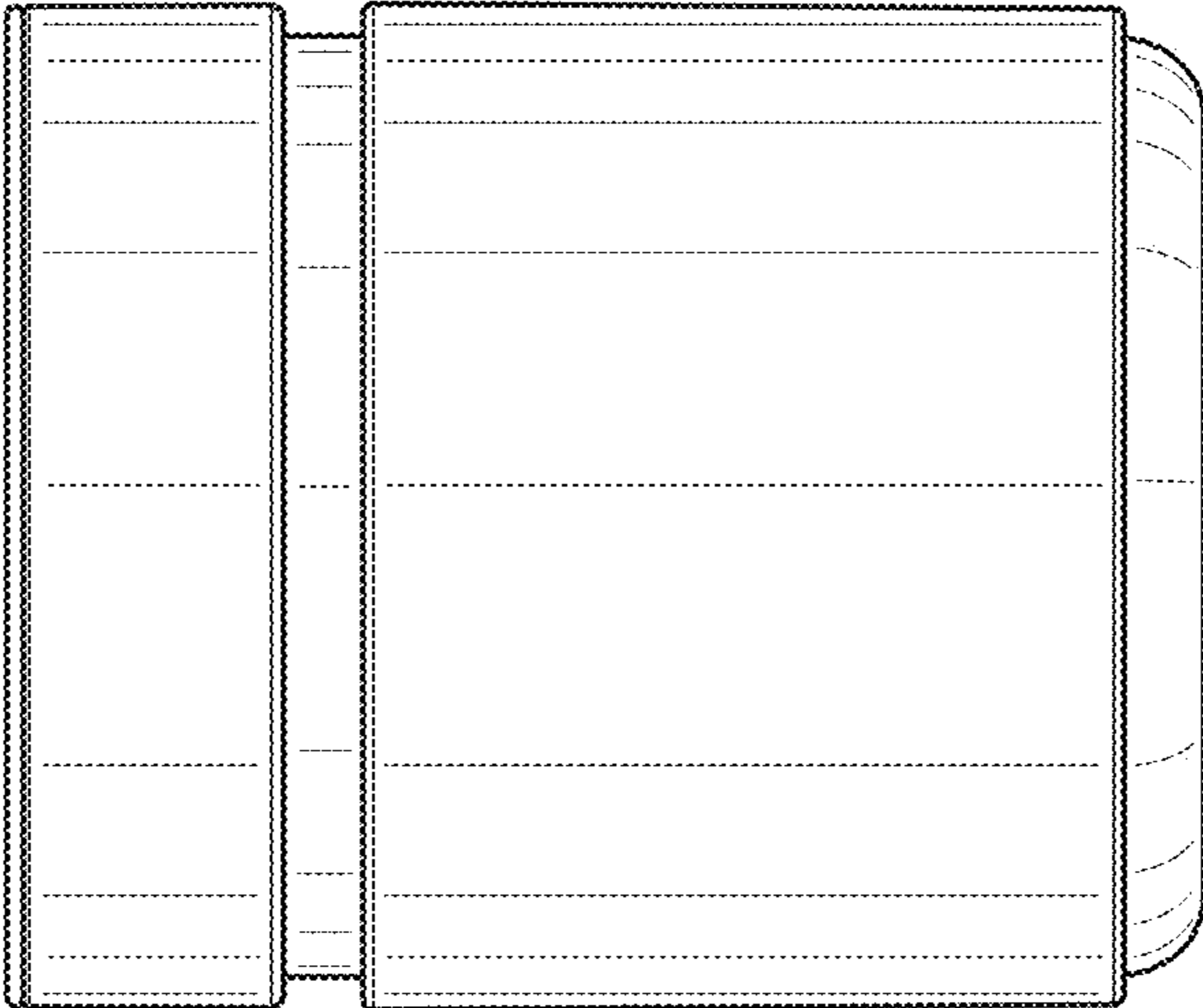


FIG. 6

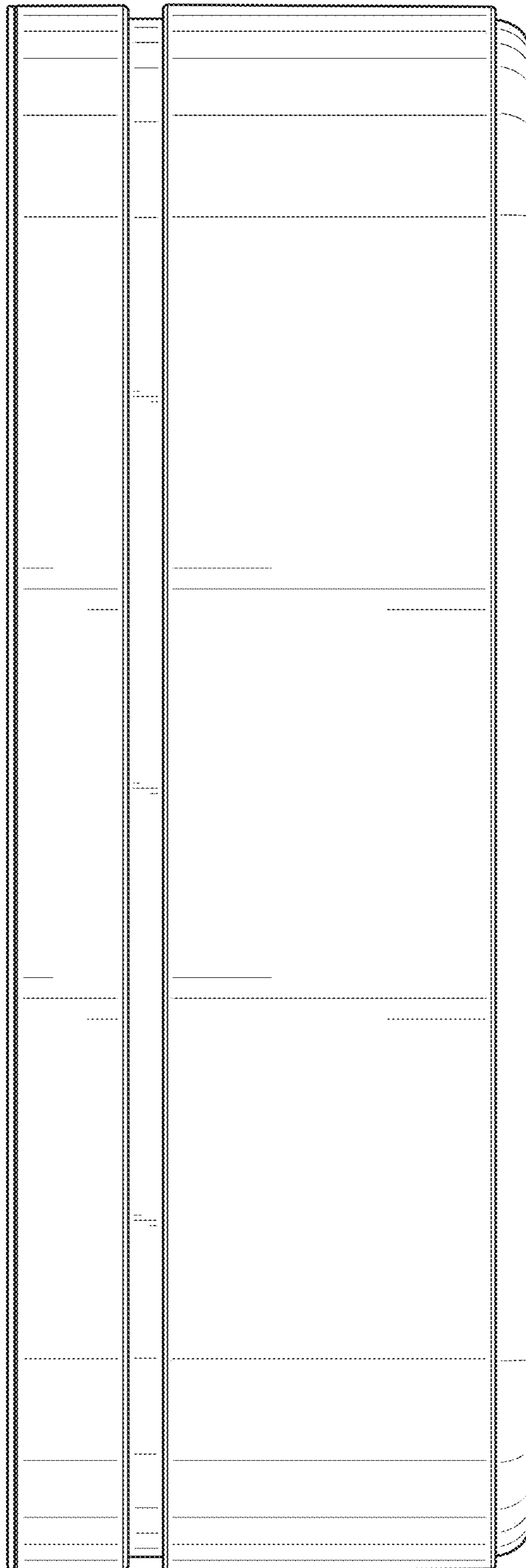


FIG. 7