



US00D986050S

(12) **United States Design Patent** (10) **Patent No.:** **US D986,050 S**
Sahinkaya et al. (45) **Date of Patent:** **** May 16, 2023**

(54) **BEARING RESTRICTOR NUT** 3,260,293 A * 7/1966 Gohs F16B 37/02
411/147

(71) Applicant: **SAMPA OTOMOTIV SANAYI VE** 3,288,191 A * 11/1966 Thorborg F16B 39/24
TICARET ANONIM SIRKETI, 411/149
Samsun (TR) 3,348,595 A * 10/1967 Stevens, Jr. B65D 33/1625
24/30.5 R

(72) Inventors: **Erdem Sahinkaya,** Samsun (TR); D217,540 S * 5/1970 Weise D8/397
Ismail Utku Albayrak, Samsun (TR); 3,679,266 A * 7/1972 Jenkins F16B 41/002
Murat Karadeniz, Samsun (TR) 206/347

(73) Assignee: **SAMPA OTOMOTIV SANAYI VE** D243,063 S * 1/1977 Mooney D8/397
TICARET ANONIM SIRKETI, 4,286,807 A * 9/1981 Bachli F16L 19/005
Samsun (TR) 285/382.7

(**) Term: **15 Years** 4,293,257 A * 10/1981 Peterson G01L 5/243
411/11

(21) Appl. No.: **29/754,214** D282,818 S * 3/1986 Bos D8/382
D340,942 S * 11/1993 Smith D17/99
D372,419 S * 8/1996 Ikegami D8/382
5,618,143 A * 4/1997 Cronin, II B25B 13/48
411/120

(Continued)

Primary Examiner — Cynthia R Underwood
(74) *Attorney, Agent, or Firm* — Bayramoglu Law Offices LLC

(22) Filed: **Oct. 8, 2020**

(51) **LOC (14) Cl.** **08-08**

(52) **U.S. Cl.**
USPC **D8/397**

(58) **Field of Classification Search**
USPC D8/399, 382, 349, 397; 411/120, 114,
411/147
CPC A61B 5/0057; F23R 3/002; F16B 31/028;
F16D 3/68
See application file for complete search history.

(57) **CLAIM**
The ornamental design for a bearing restrictor nut, as shown and described.

DESCRIPTION

(56) **References Cited**
U.S. PATENT DOCUMENTS

716,095 A * 12/1902 Peterson F16B 39/24
411/136

1,181,109 A * 5/1916 Carr F16B 39/24
411/136

2,124,249 A * 7/1938 Guiducci F16B 39/24
411/114

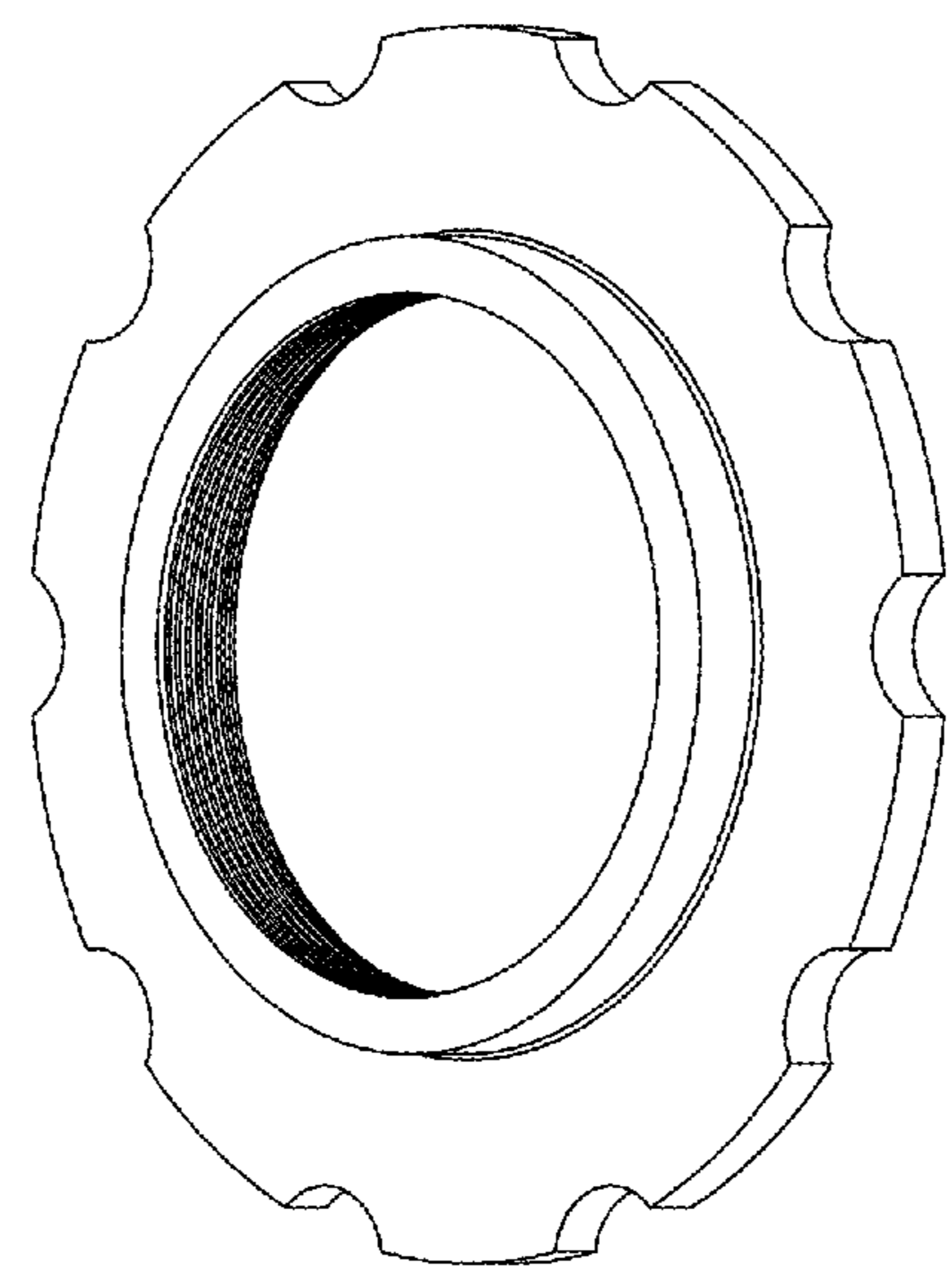
2,666,468 A * 1/1954 Poupitch B21D 53/20
29/417

2,770,277 A * 11/1956 Poupitch F16B 39/26
411/957

D198,713 S * 7/1964 Curtiss D8/397

FIG. 1 is a front perspective view of a bearing restrictor nut showing our new design;
FIG. 2 is a rear perspective view thereof;
FIG. 3 is a perspective view thereof in a used state;
FIG. 4 is a front view thereof in the used state;
FIG. 5 is a front view thereof; and,
FIG. 6 is a rear view thereof.
The broken line showing of a bearing in FIG. 3 and FIG. 4 is for the purpose of illustrating the environmental structure and forms no part of the claimed design.

1 Claim, 6 Drawing Sheets



(56)

References Cited

U.S. PATENT DOCUMENTS

5,674,034 A * 10/1997 Bennett F16B 39/10
411/120
D390,923 S * 2/1998 Stevens B65D 33/1625
D23/262
5,967,722 A * 10/1999 Fett F16B 39/10
411/120
6,387,055 B1 * 5/2002 Christy A61B 5/0057
600/557
D482,847 S * 12/2003 Lee D2/869
D494,056 S * 8/2004 Clendenning D8/399
D520,856 S * 5/2006 Osiecki D8/312
D527,245 S * 8/2006 Kelleghan D8/356
D534,416 S * 1/2007 Kelleghan D8/356
D548,581 S * 8/2007 Du Rousseau D8/399
D619,940 S * 7/2010 Strang D12/159
D658,978 S * 5/2012 Linares D8/399
D669,985 S * 10/2012 Cheney D24/140
D710,191 S * 8/2014 Yamazaki D8/399

D719,013 S * 12/2014 St. John D8/356
D747,183 S * 1/2016 Davidson D8/397
D748,973 S * 2/2016 Rodenhouse D8/399
9,458,610 B2 * 10/2016 Malaker F16B 31/024
D775,933 S * 1/2017 Hill D8/349
D775,934 S * 1/2017 Hill D8/349
D777,917 S * 1/2017 Kabra D24/144
D783,393 S * 4/2017 Weifenbach D8/399
D795,682 S * 8/2017 Downs D8/382
D799,702 S * 10/2017 Wong D24/186
D800,319 S * 10/2017 Wong D24/186
D817,153 S * 5/2018 Harogolige Padmanabha
D8/356
D841,455 S * 2/2019 Barwick D8/399
D841,456 S * 2/2019 Barwick D8/399
2003/0220146 A1 * 11/2003 Bonninger F16D 3/68
464/73
2015/0176434 A1 * 6/2015 Gerendas et al. F23R 3/002
411/531
2015/0226249 A1 * 8/2015 Otto F16B 31/028
29/525.02

* cited by examiner

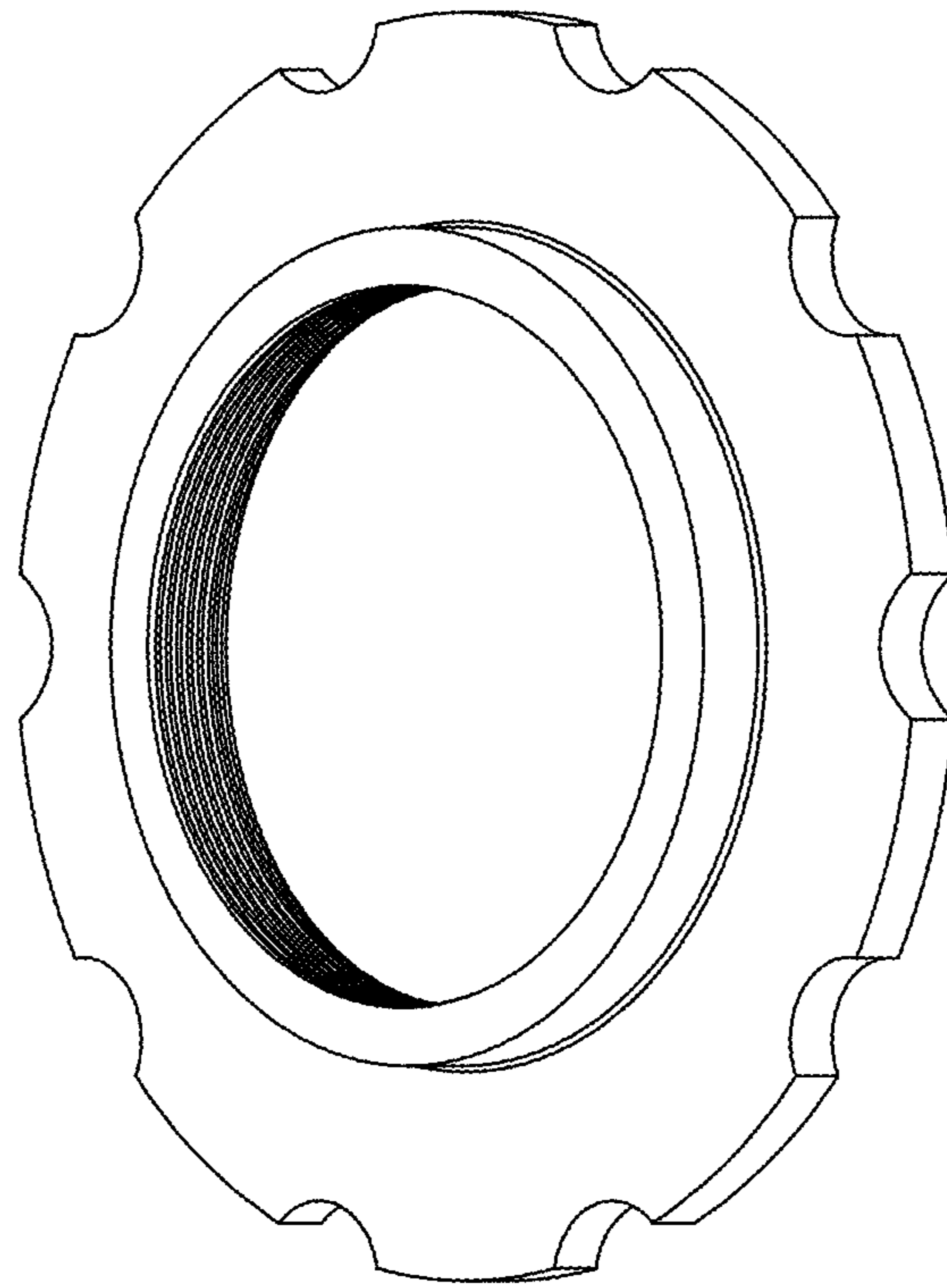


FIG. 1

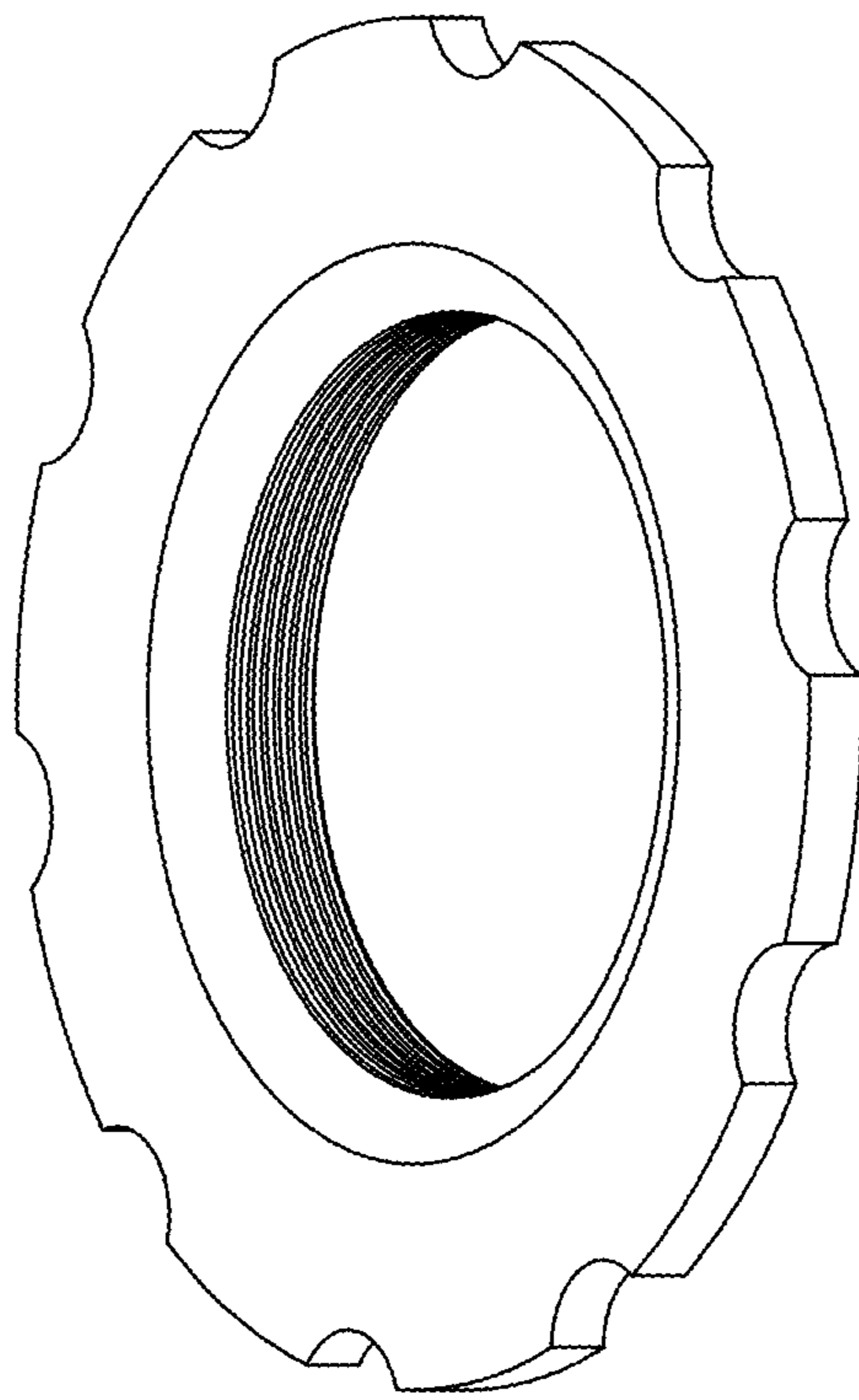


FIG. 2

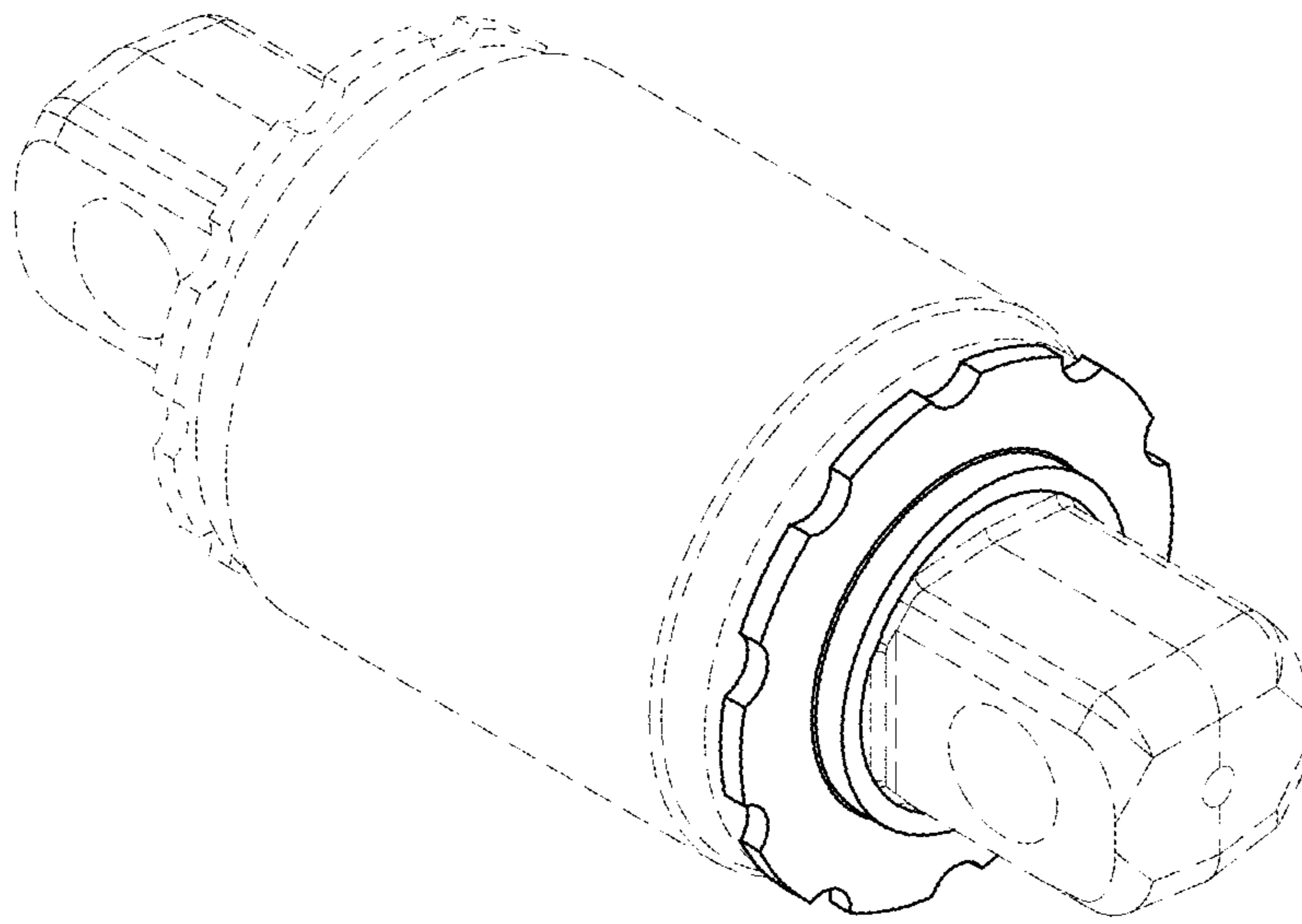


FIG. 3

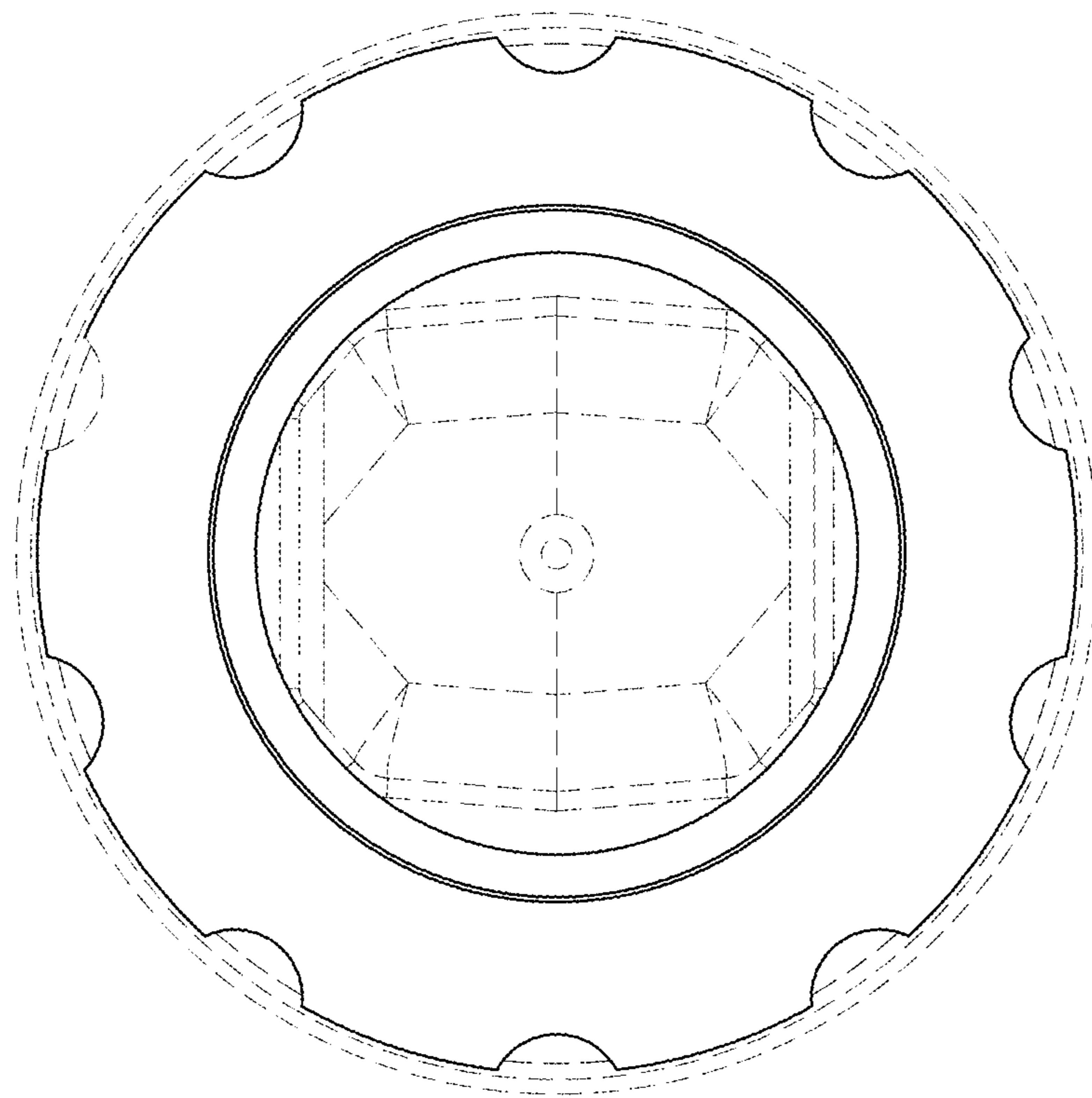


FIG. 4

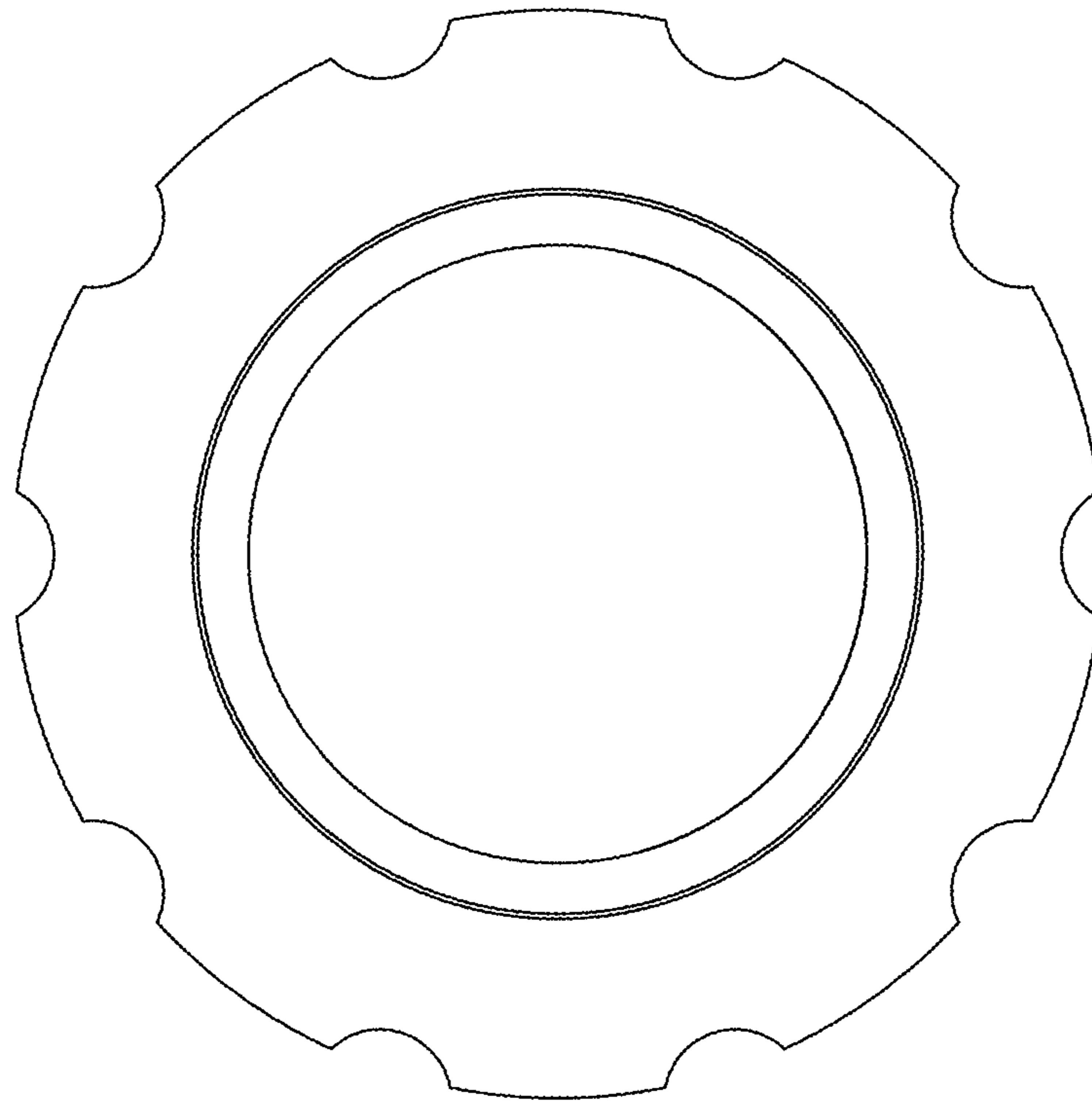


FIG. 5

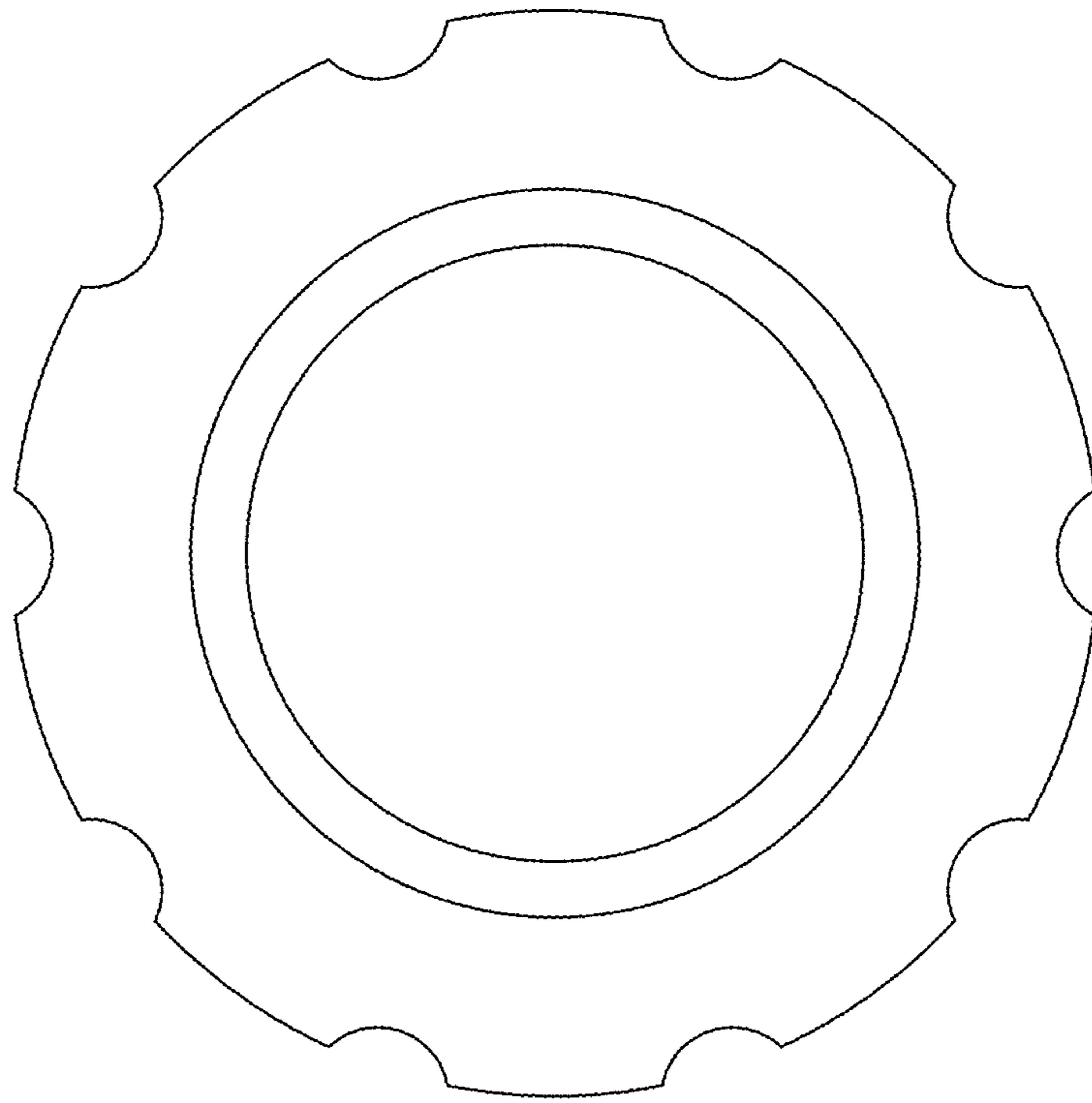


FIG. 6