



US00D986048S

(12) **United States Design Patent**
Wong et al.

(10) **Patent No.:** **US D986,048 S**

(45) **Date of Patent:** **** May 16, 2023**

(54) **BOTTLE STRAP**
(71) Applicant: **SIM DESIGN LIMITED**, Hong Kong (HK)
(72) Inventors: **Siu Wah Wong**, Hong Kong (HK); **Yi Chia Chen**, Hong Kong (HK); **Szu Wen Wang**, Hong Kong (HK); **Chang Chen Liu**, Hong Kong (HK)

(73) Assignee: **SIM DESIGN LIMITED**, Hong Kong (HK)

(**) Term: **15 Years**

(21) Appl. No.: **29/702,323**

(22) Filed: **Aug. 19, 2019**

(51) **LOC (14) Cl.** **08-08**

(52) **U.S. Cl.**
USPC **D8/396**

(58) **Field of Classification Search**
USPC D3/24, 25, 327; D9/434, 435, 438, 443, D9/446, 447, 449, 499, 455; D8/394, D8/318, 356, 396; D12/133, 223, 400; D14/483, 484; D20/43, 44; D21/694, D21/774, 839; D29/129, 130, 101.1; D30/151, 152, 153; D7/387, 401.2, 404, D7/412; D11/3
CPC . A45F 2200/0583; A45F 5/00; F16M 13/022; B65D 63/16; B65D 63/18; B65D 33/16; B65D 85/24; B65D 77/10; B65D 33/1625; B65H 19/1868; B65H 19/1831; Y02W 90/10

See application file for complete search history.

(56) **References Cited**

U.S. PATENT DOCUMENTS

2,179,037 A * 11/1939 Goldschmidt B65D 63/18
206/390
3,372,438 A * 3/1968 Rinecker D03D 27/00
224/901.4

4,088,136 A * 5/1978 Hasslinger A61M 25/02
604/179
D272,867 S * 3/1984 Gwaltney D8/394
D303,278 S * 9/1989 Nealy D21/774
4,939,818 A * 7/1990 Hahn B65D 63/10
D8/382

(Continued)

FOREIGN PATENT DOCUMENTS

JP 2002017419 A * 1/2002

OTHER PUBLICATIONS

Fastenation Cable Hanger with Grommet: Site Visited [May 3, 2022]. Available from Internet URL: <https://fastenation.com/cable-hangers-with-grommet-pack-of-10/>.*

(Continued)

Primary Examiner — Catherine S Posthauer
(74) *Attorney, Agent, or Firm* — Nyemaster Goode P.C.

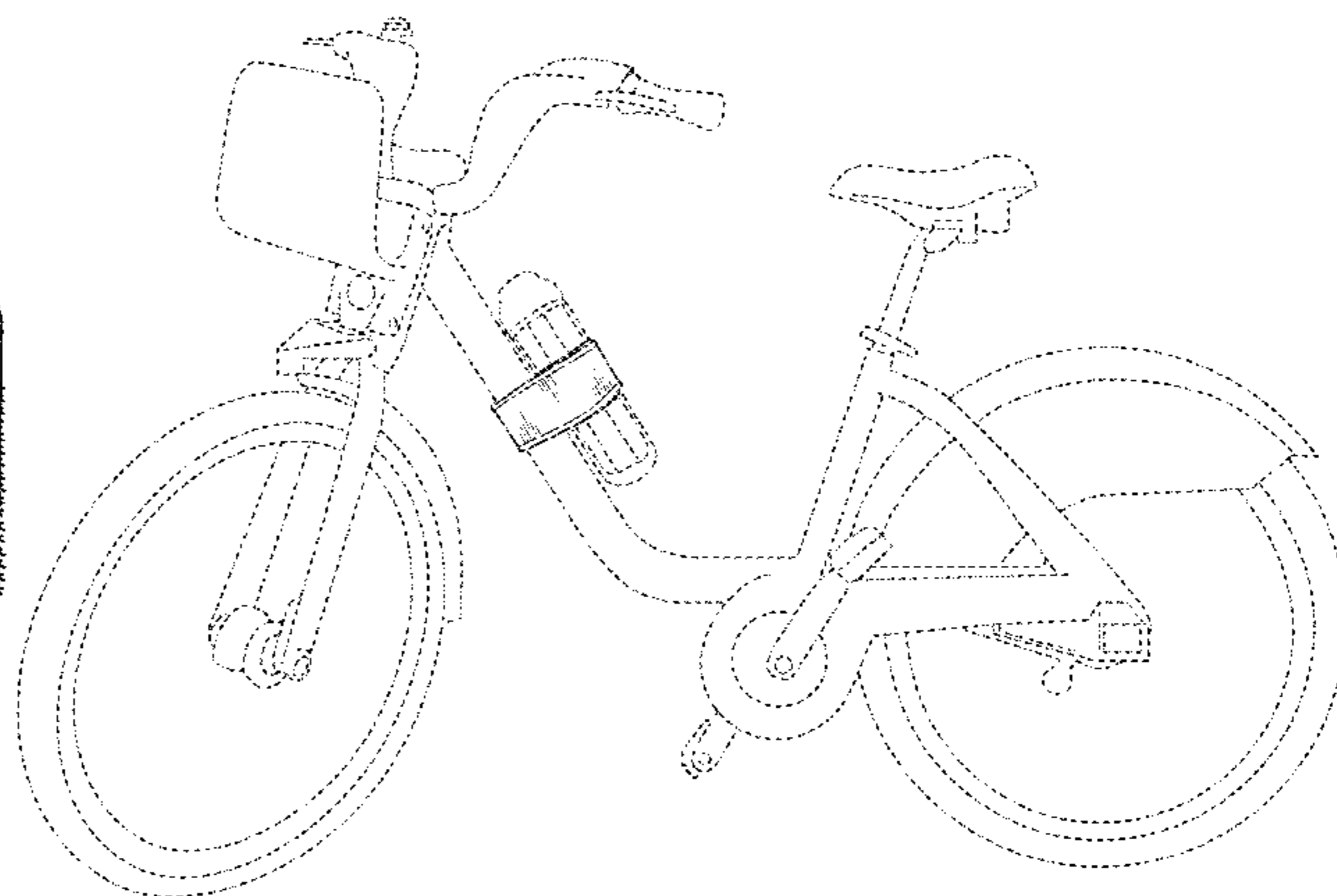
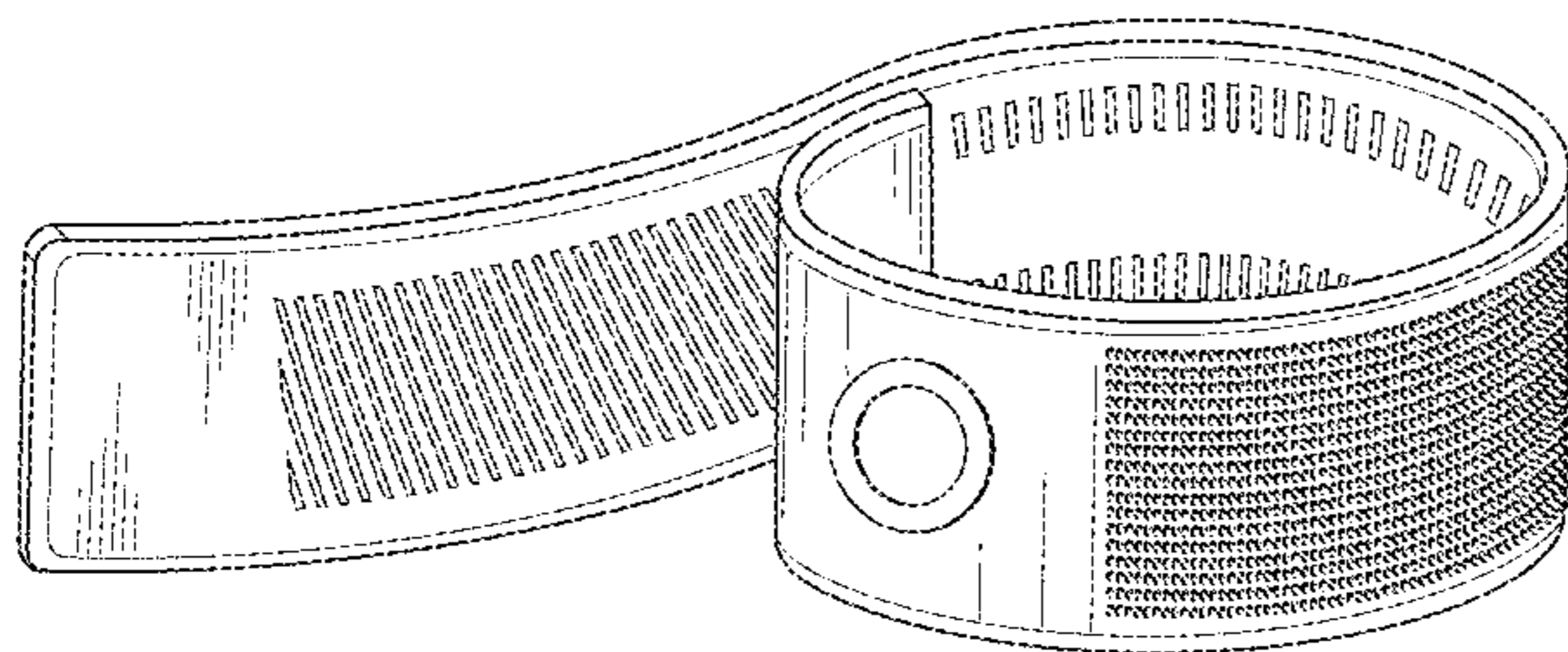
(57) **CLAIM**

The ornamental design for a bottle strap, as shown and described.

DESCRIPTION

FIG. 1 is a perspective view of the bottle strap.
FIG. 2 is a front view thereof.
FIG. 3 is a rear view thereof.
FIG. 4 is a left side view thereof
FIG. 5 is a right side view thereof.
FIG. 6 is a top view thereof.
FIG. 7 is a bottom view thereof.
FIG. 8 is a side view thereof, shown in a position of use with exemplary environmental subject matter; and,
FIG. 9 is a perspective view thereof, shown in a position of use with exemplary environmental subject matter.
The broken lines are shown for the purpose of illustrating exemplary environmental subject matter and form no part of the claimed design.

1 Claim, 9 Drawing Sheets



(56)

References Cited

U.S. PATENT DOCUMENTS

5,142,743 A * 9/1992 Hahn B65D 63/10
24/442
D335,263 S * 5/1993 Willis 273/DIG. 30
5,293,884 A * 3/1994 Chapman A45D 8/34
132/273
5,340,629 A * 8/1994 Rodighiero C09J 7/20
428/343
D373,750 S * 9/1996 Gunderson D29/100
5,558,440 A * 9/1996 Miller A45F 5/00
224/663
D390,492 S * 2/1998 Riley D11/5
5,752,633 A * 5/1998 Antaki A45F 5/00
224/222
D427,772 S * 7/2000 Cody D3/329
6,205,623 B1 * 3/2001 Shepard A44B 18/008
24/30.5 R
D451,282 S * 12/2001 Konkle D3/327
D453,366 S * 2/2002 French D21/774
D459,772 S * 7/2002 Meldeau D21/662
D472,319 S * 3/2003 Oltmann D24/189
6,622,346 B2 * 9/2003 Graham B65D 63/1018
24/30.5 R
D500,671 S * 1/2005 Mills D8/396
D505,063 S * 5/2005 Jackson D8/396
D505,064 S * 5/2005 Kampfer D8/396
D506,709 S * 6/2005 Choi D12/133

D511,450 S * 11/2005 Seth D8/396
7,794,810 B2 * 9/2010 Kawada C09J 7/38
428/40.1
D675,023 S * 1/2013 Colgan D3/327
D753,344 S * 4/2016 Kantor D29/101.1
D761,089 S * 7/2016 Chen D8/356
D854,961 S * 7/2019 Akana D11/3
D877,515 S * 3/2020 Papas D3/327
10,611,538 B2 * 4/2020 Wintz B65B 13/02
D883,837 S * 5/2020 Akana D11/3
D921,802 S * 6/2021 West D21/774
2010/0258601 A1 * 10/2010 Thrope A45C 1/00
224/267
2011/0303708 A1 * 12/2011 Dudley A45F 5/00
224/148.1
2020/0017279 A1 * 1/2020 Quinn A45F 5/021
2021/0054965 A1 * 2/2021 Wong B62J 11/04

OTHER PUBLICATIONS

Magnetic Water Bottle Holder: Announced [Aug. 3, 2020 (online)].
Site Visited [May 3, 2022]. Available from Internet URL: <https://www.thegrommet.com/products/afixt-magnetic-water-bottle-holder>.
Velcro Power Strap: Announced [Dec. 3, 2020 (online)]. Site Visited
[May 3, 2022]. Available from Internet URL: <https://shop.atomic.com/en/products/35mm-velcro-power-strap-ae0001116.html>.

* cited by examiner

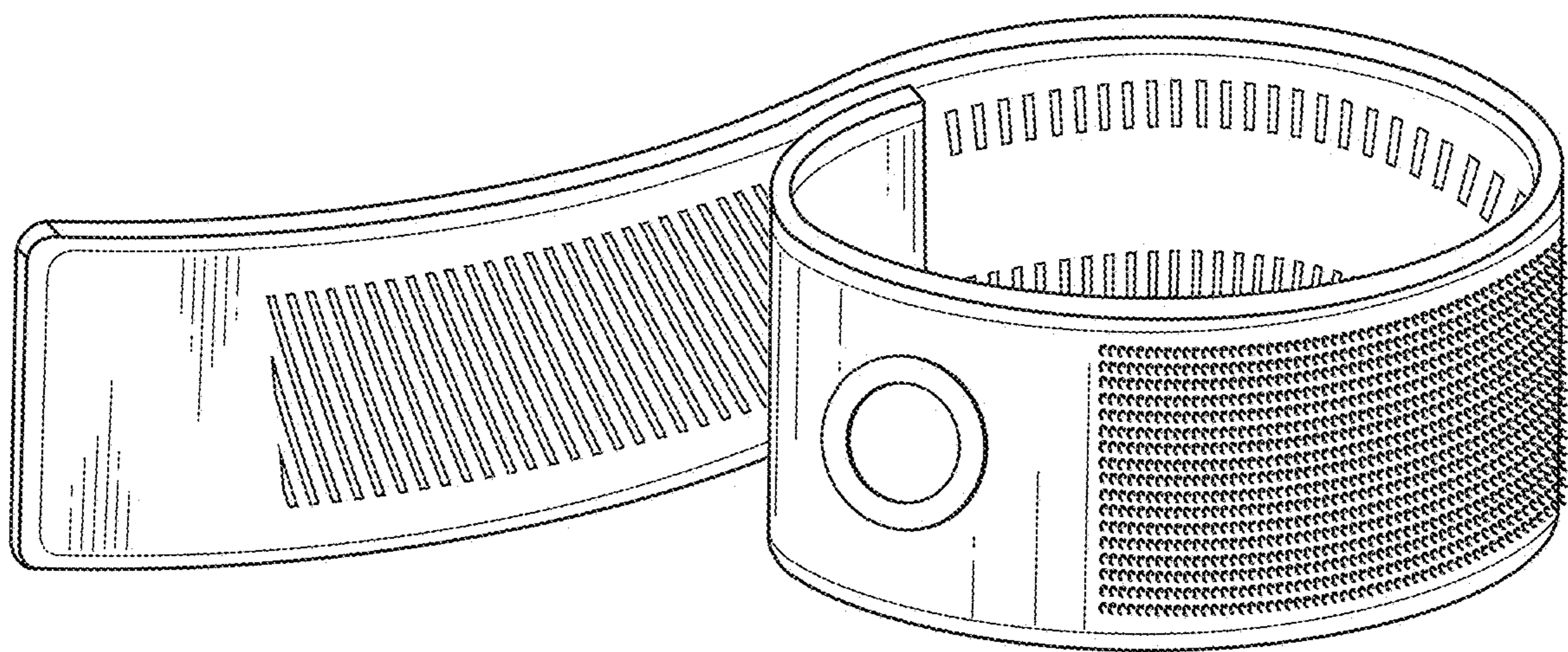


FIG 1.

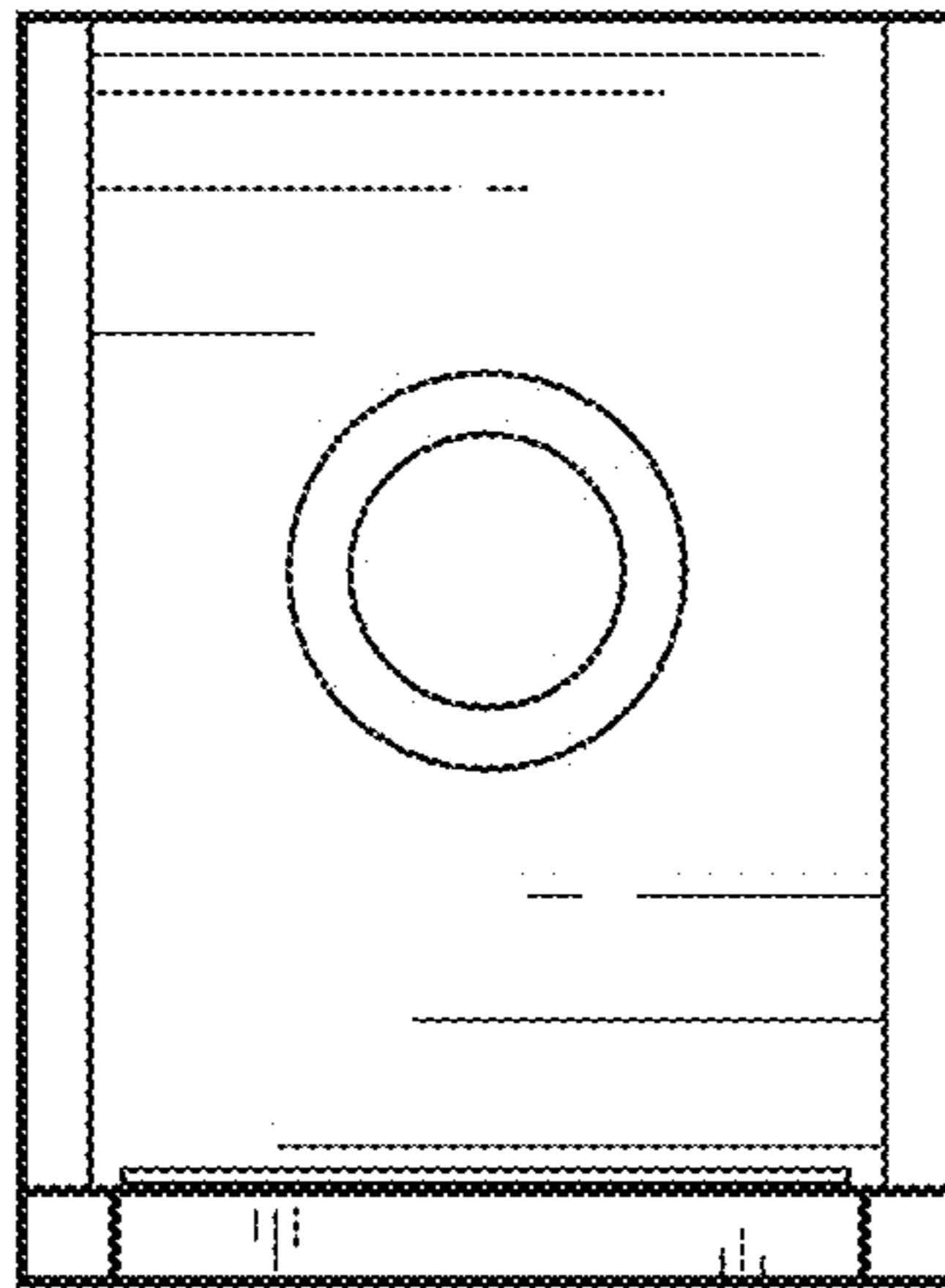


FIG. 2

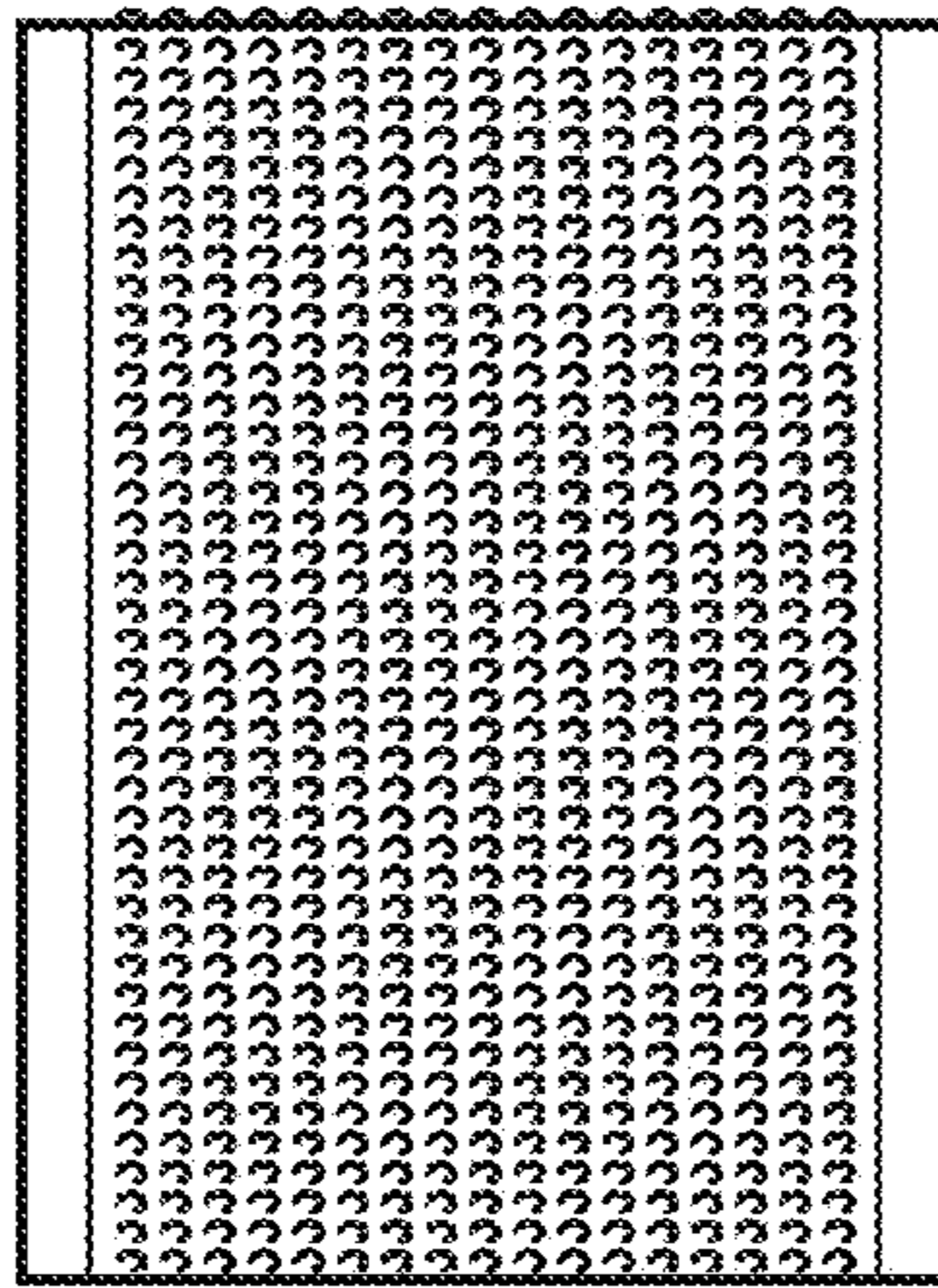


FIG. 3

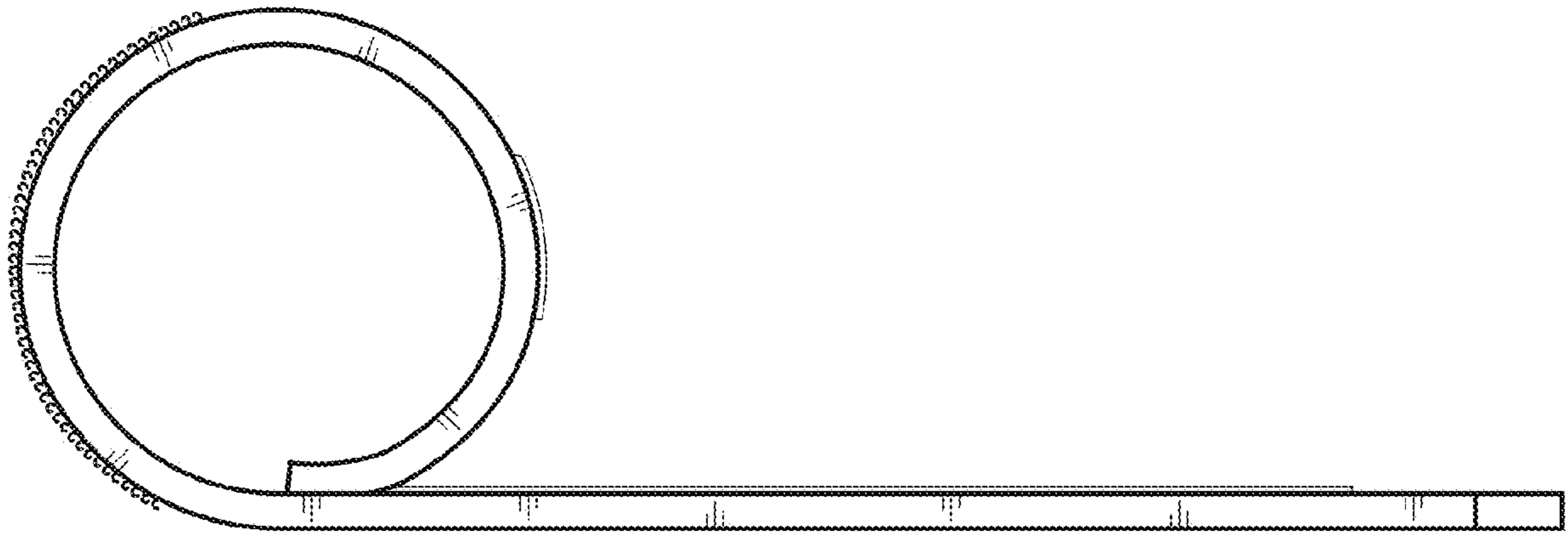


FIG. 4

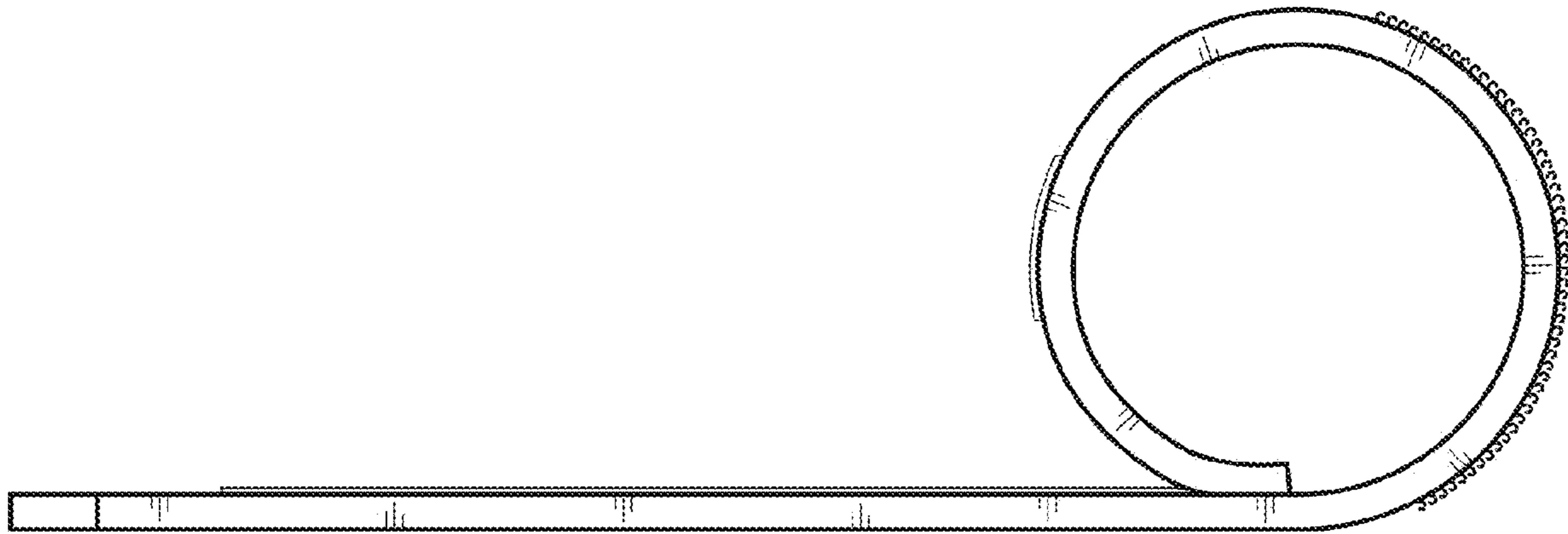


FIG. 5

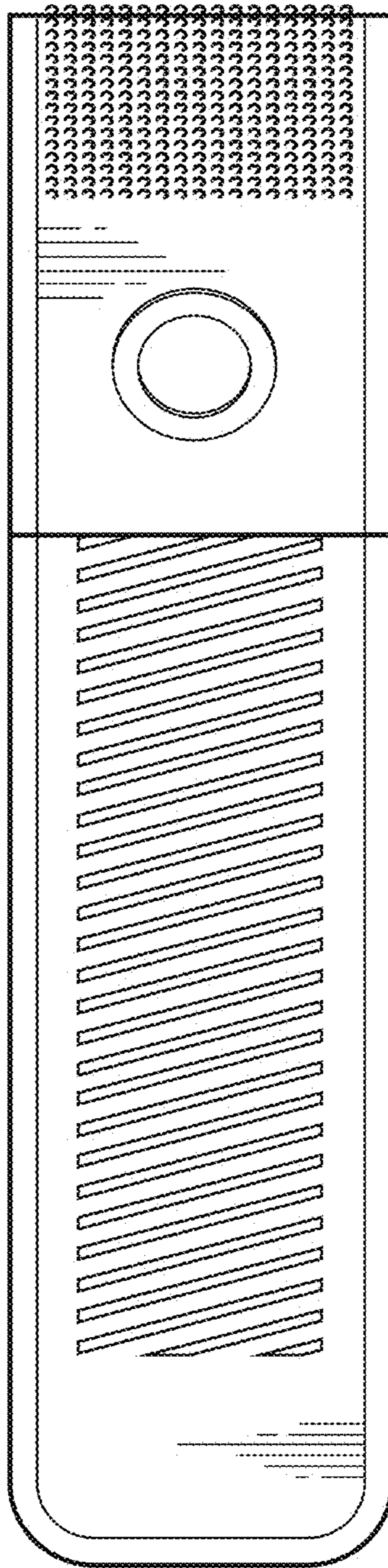


FIG. 6

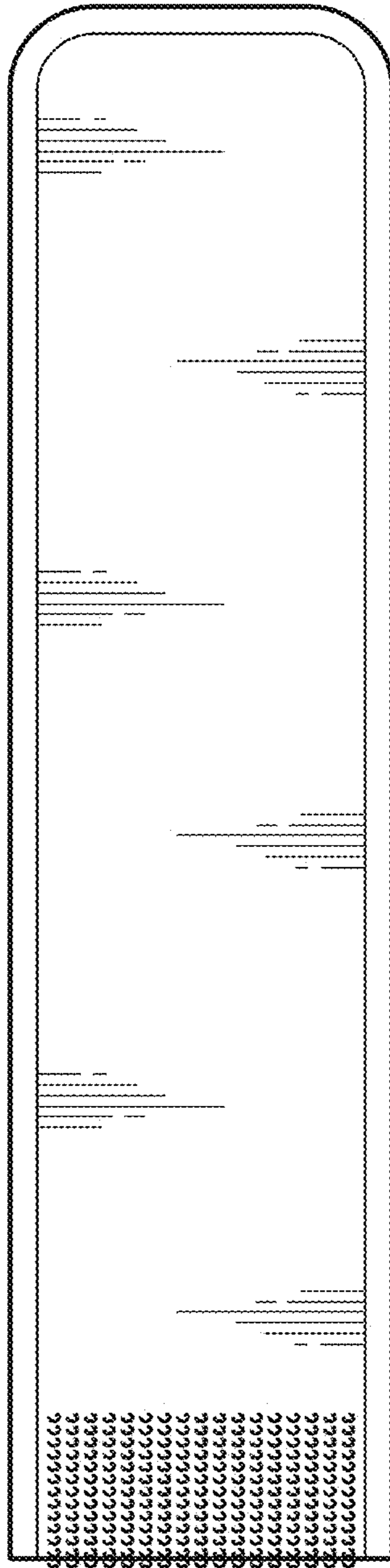


FIG. 7

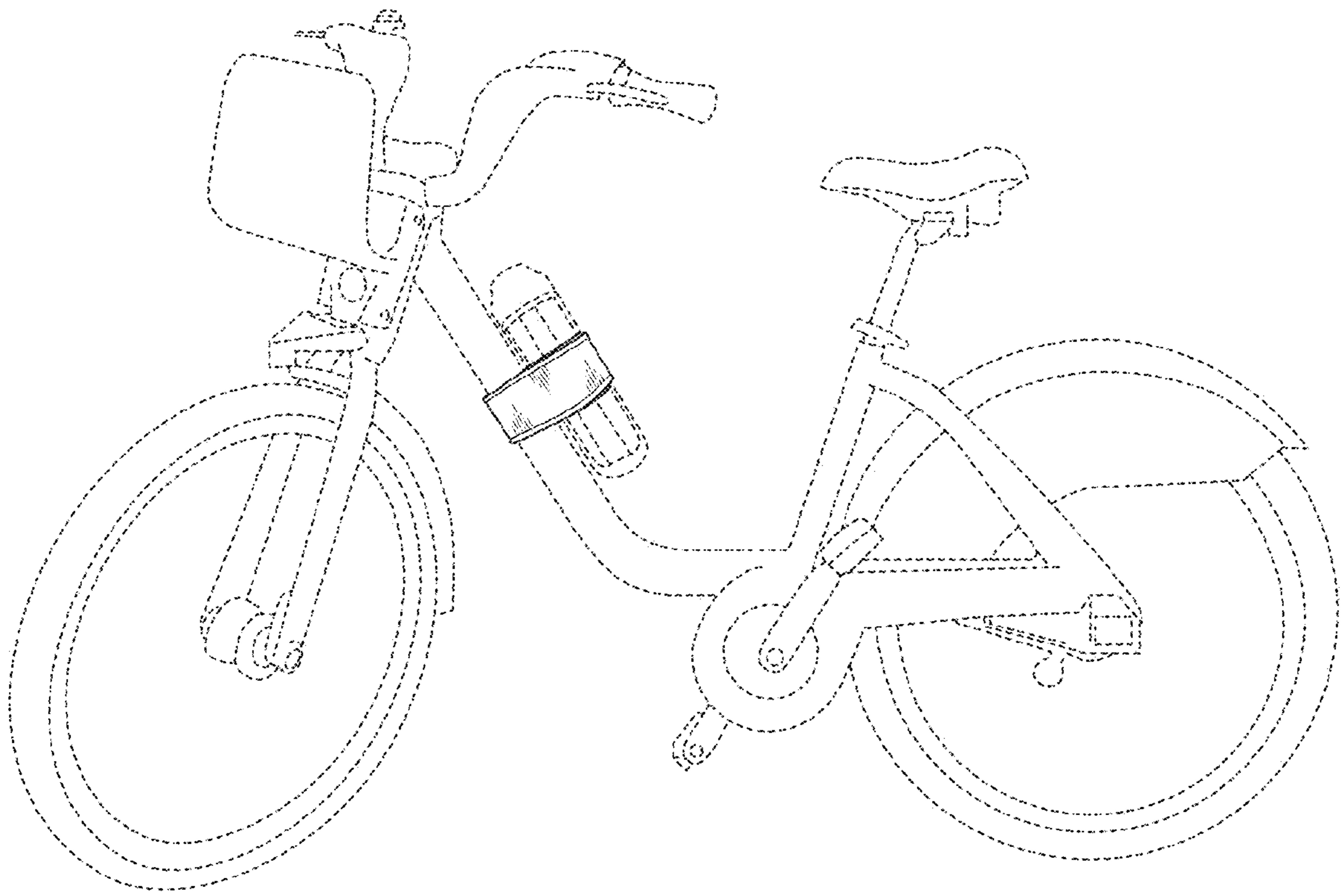


FIG. 8

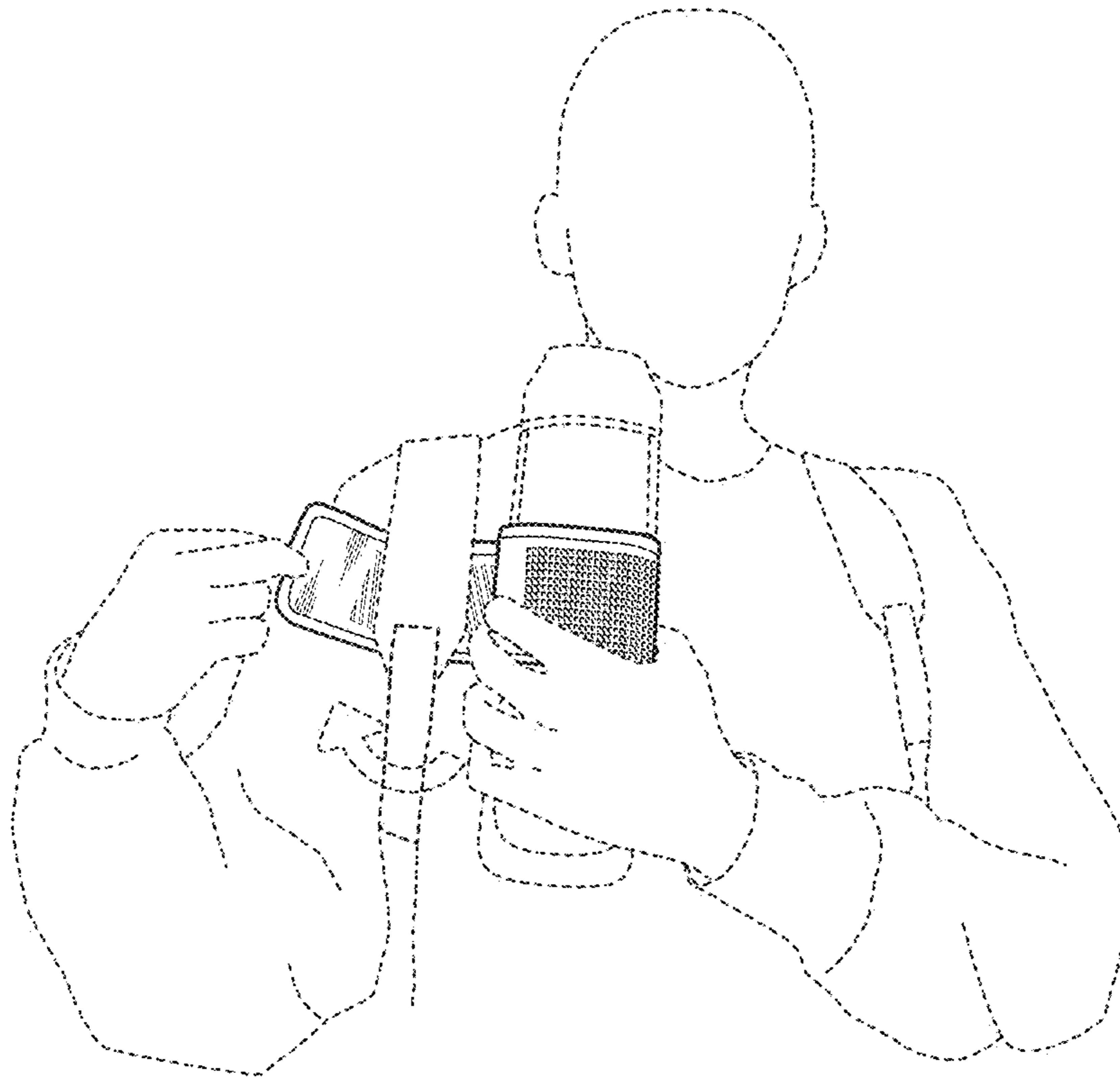


FIG. 9