



US00D986047S

(12) **United States Design Patent**
Ritchey et al.

(10) **Patent No.:** **US D986,047 S**

(45) **Date of Patent:** **** May 16, 2023**

(54) **J-CLAMP ASSEMBLY FOR TRUCK
SADDLE-MOUNTS**

(71) Applicant: **WHITE MULE COMPANY**, Ontario,
OH (US)

(72) Inventors: **Larry Steven Ritchey**, Mansfield, OH
(US); **Andrew Patrick Ritchey**,
Mansfield, OH (US)

(73) Assignee: **WHITE MULE COMPANY**, Ontario,
OH (US)

(**) Term: **15 Years**

(21) Appl. No.: **29/763,271**

(22) Filed: **Dec. 22, 2020**

(51) **LOC (14) Cl.** **12-16**

(52) **U.S. Cl.**
USPC **D12/162**

(58) **Field of Classification Search**
USPC D8/383, 73, 16, 396, 395, 394, 72, 382,
D8/352, 349, 323, 306, 325; D10/31, 33,
D10/38; D16/245, 242; D12/106,
D12/161-162

CPC B60D 1/14; F16M 13/022; A61G 13/101;
F16B 2/10; F16B 37/16; Y10T 403/32311
See application file for complete search history.

(56) **References Cited**

U.S. PATENT DOCUMENTS

D485,150 S *	1/2004	Loparo	D8/312
D540,466 S *	4/2007	Homra	F16M 13/022
				D24/128
D569,702 S *	5/2008	Groten	D8/60
8,106,278 B2 *	1/2012	Eason	F16B 7/0493
				84/421
D733,267 S *	6/2015	McCarter	D23/265
D811,947 S *	3/2018	May	D12/114

D813,973 S *	3/2018	McKillips	D22/109
10,150,225 B2 *	12/2018	Hyma	B26B 25/005
D930,460 S *	9/2021	Sun	D8/360
D931,717 S *	9/2021	Axelsson	D8/394
2022/0194150 A1 *	6/2022	Ritchey	B60D 1/14

OTHER PUBLICATIONS

Panel support clamp PC , Google.com, [online], [site visited Jun. 28, 2022], Available from internet URL: <https://www.directindustry.com/prod/elesa/product-9336-1603979.html> (Year: NA).*

* cited by examiner

Primary Examiner — Michael A. Pratt

(74) *Attorney, Agent, or Firm* — Ward Law Office LLC;
Jacob M. Ward

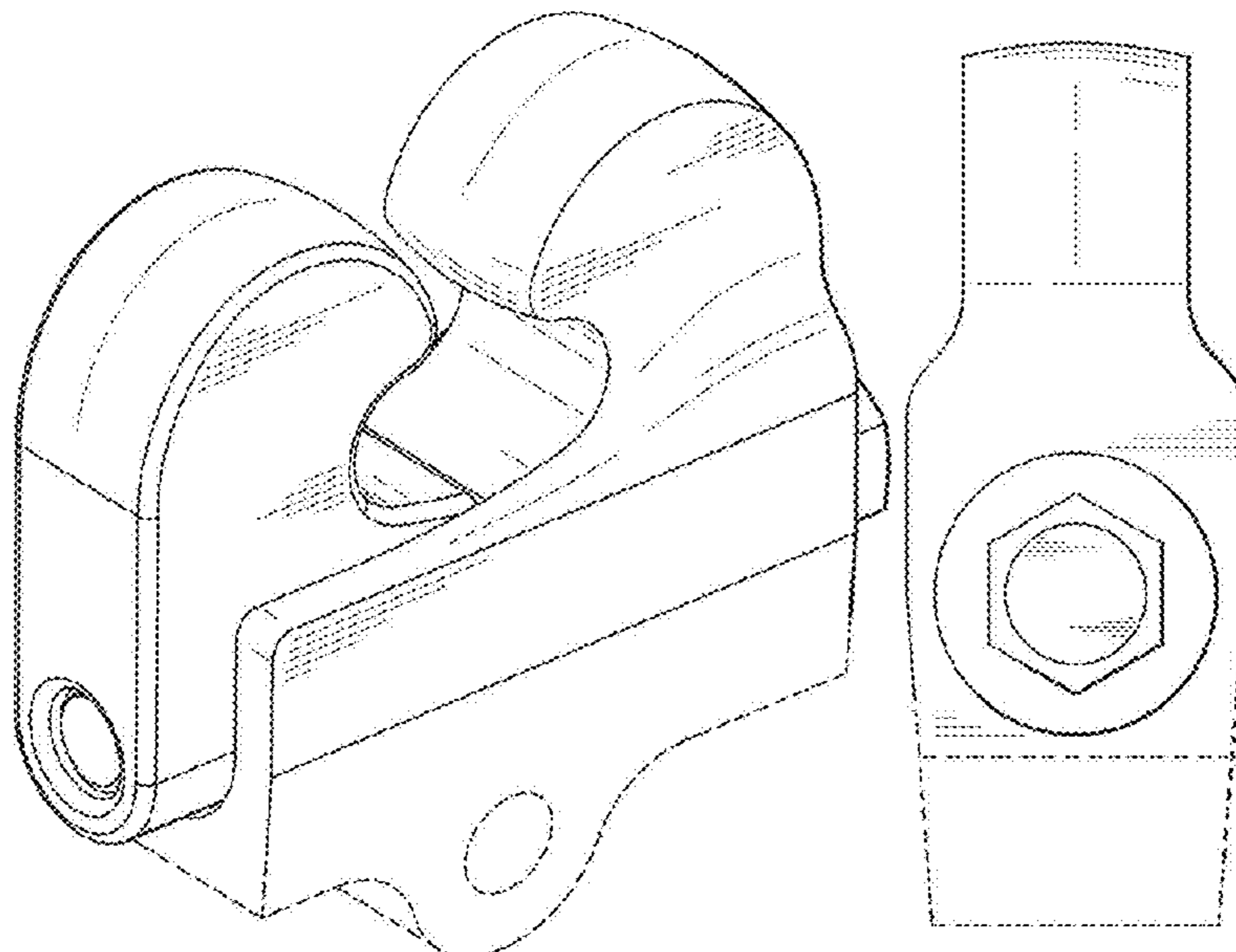
(57) **CLAIM**

The ornamental design for a J-clamp assembly for truck saddle-mounts, as shown and described.

DESCRIPTION

FIG. 1 is a top perspective view of a J-clamp assembly for truck saddle-mounts;
FIG. 2 is a rear elevational view of the J-clamp assembly for truck saddle-mounts of FIG. 1;
FIG. 3 is a front elevational view thereof;
FIG. 4 is a top plan view thereof;
FIG. 5 is a bottom plan view thereof;
FIG. 6 is a right side elevational view thereof; and,
FIG. 7 is a left side elevational view thereof.
The broken lines shown in the drawings are for the purpose of illustrating environment and form no part of the claimed design.

1 Claim, 2 Drawing Sheets



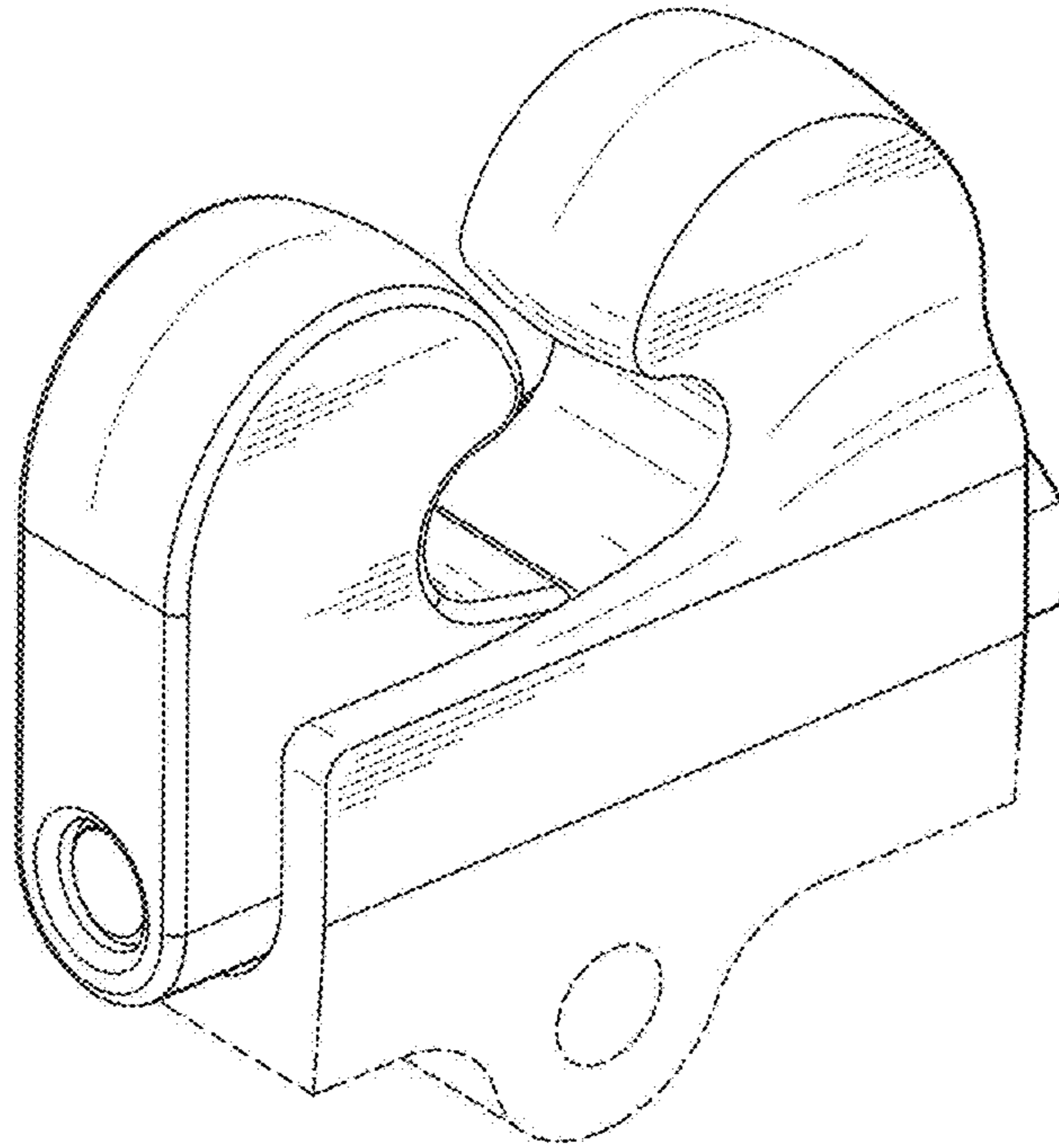


FIG. 1

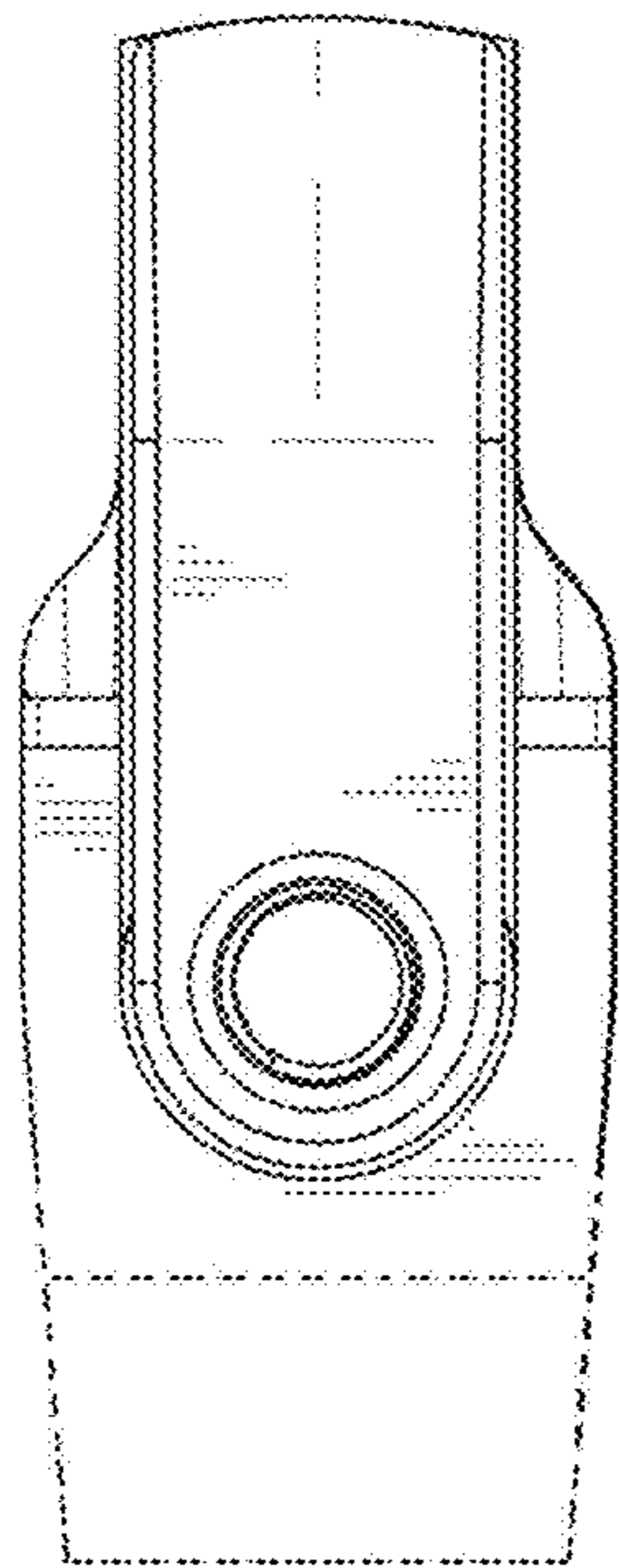


FIG. 2

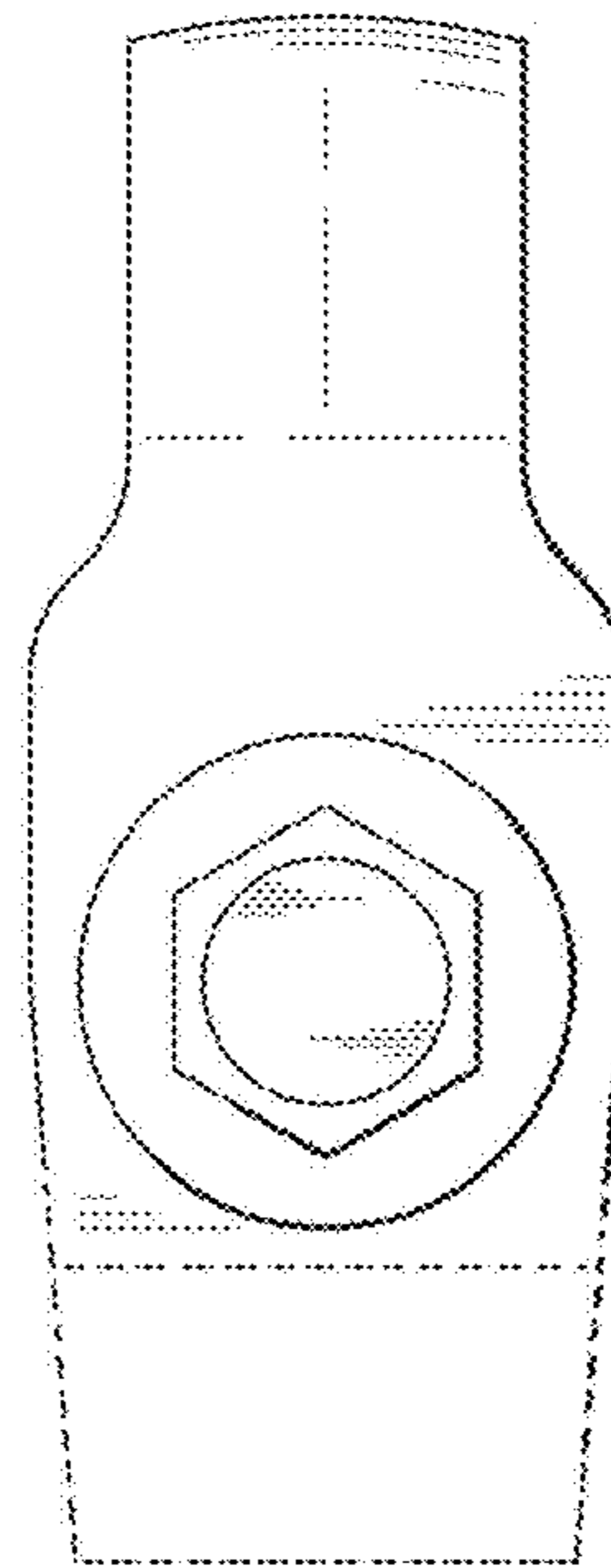


FIG. 3

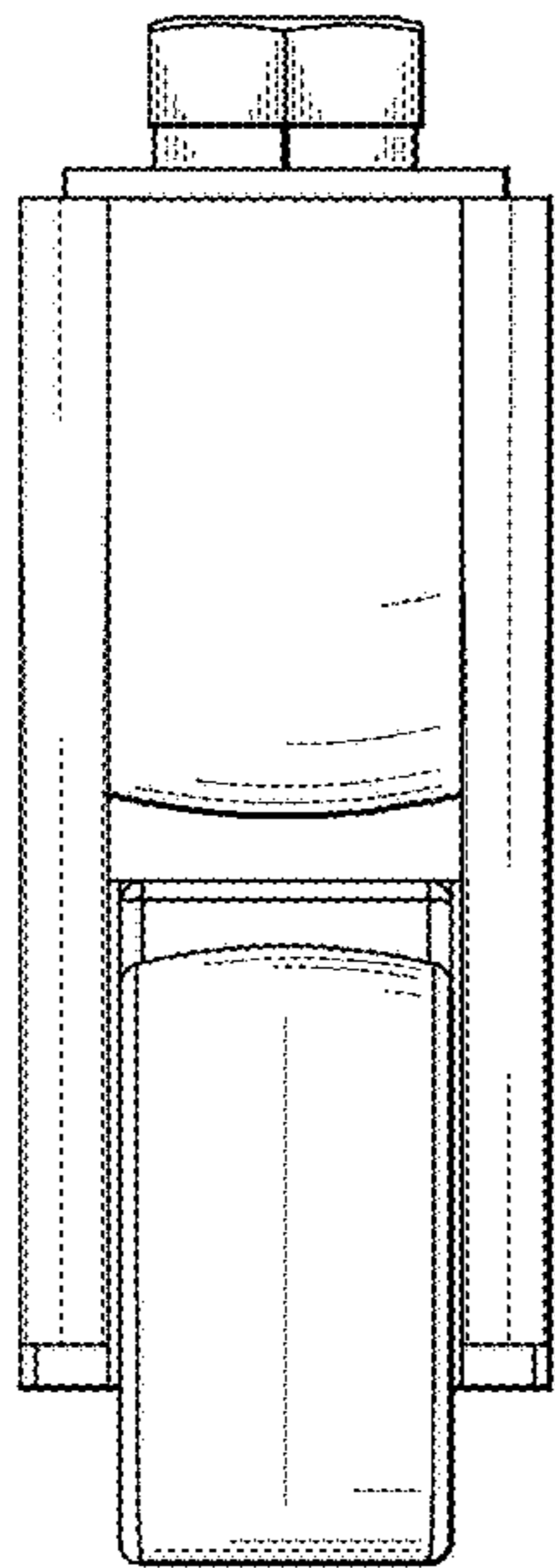


FIG. 4

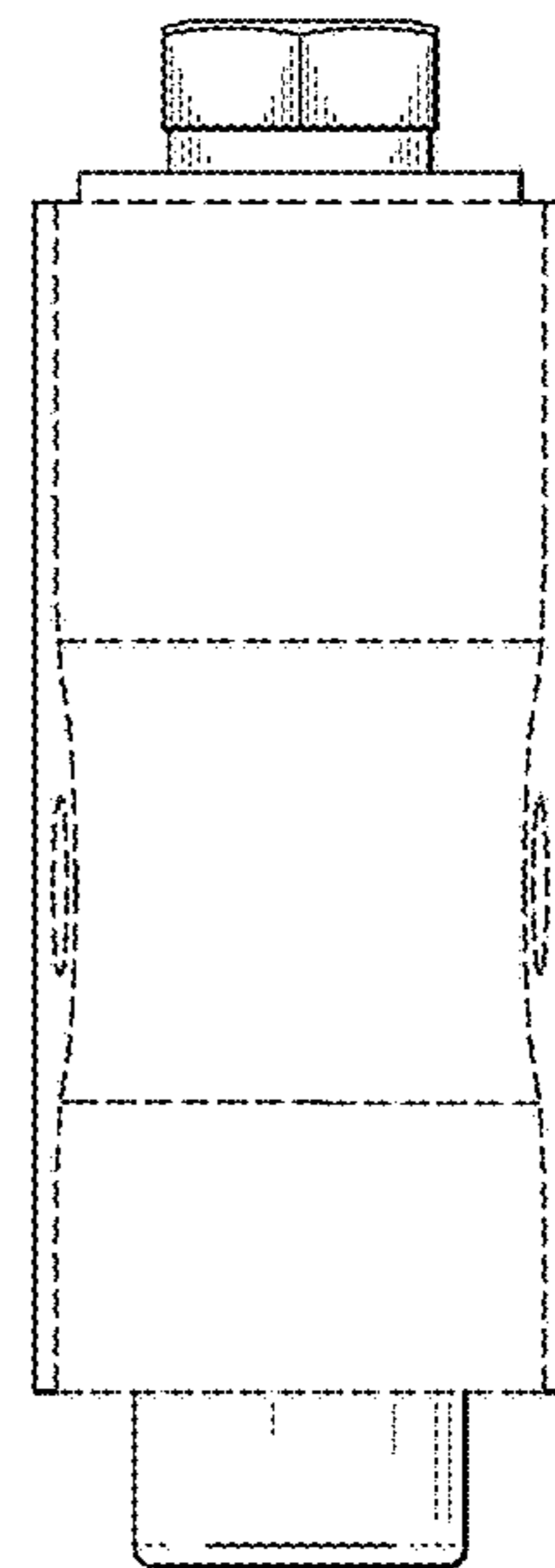


FIG. 5

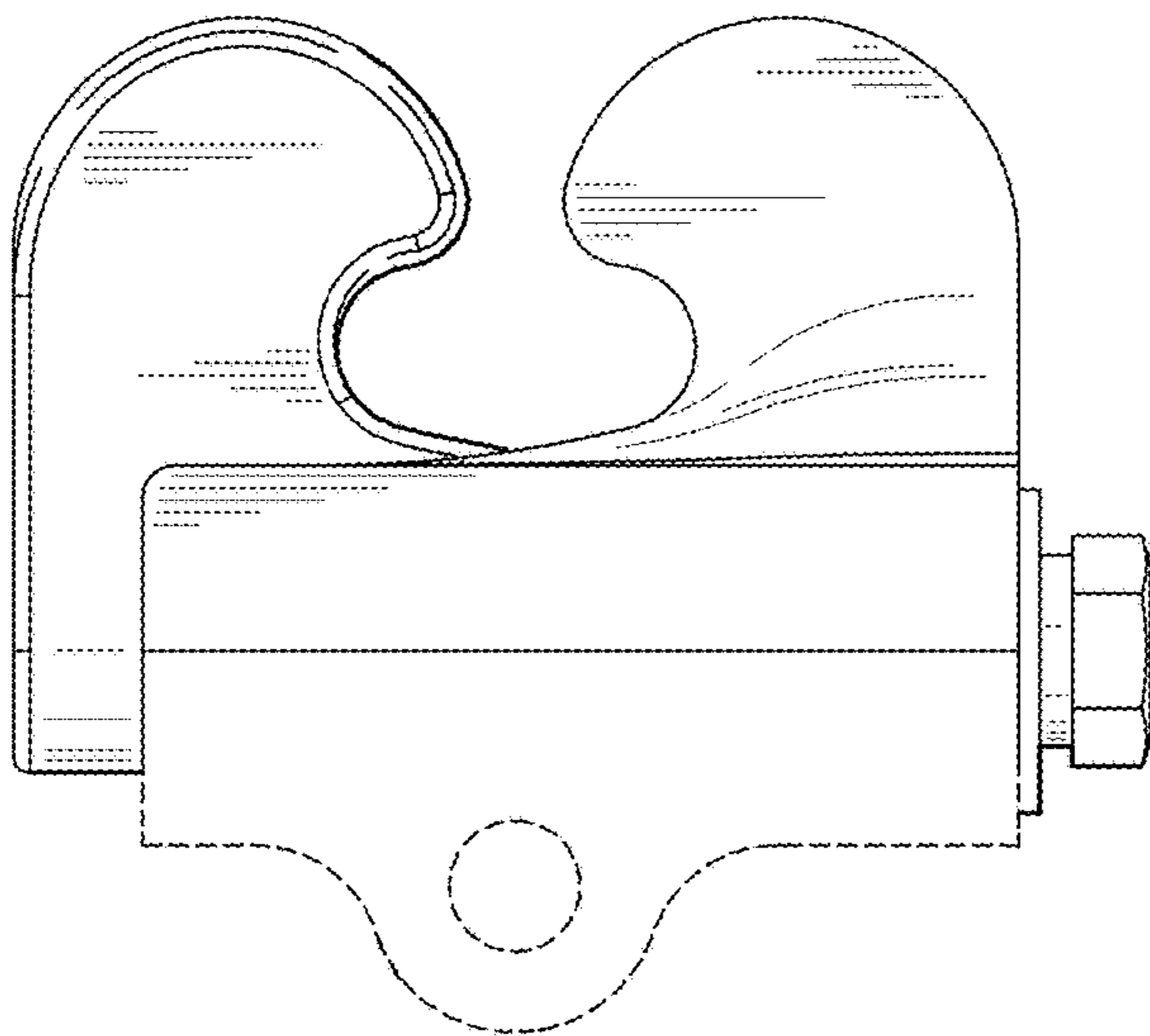


FIG. 6

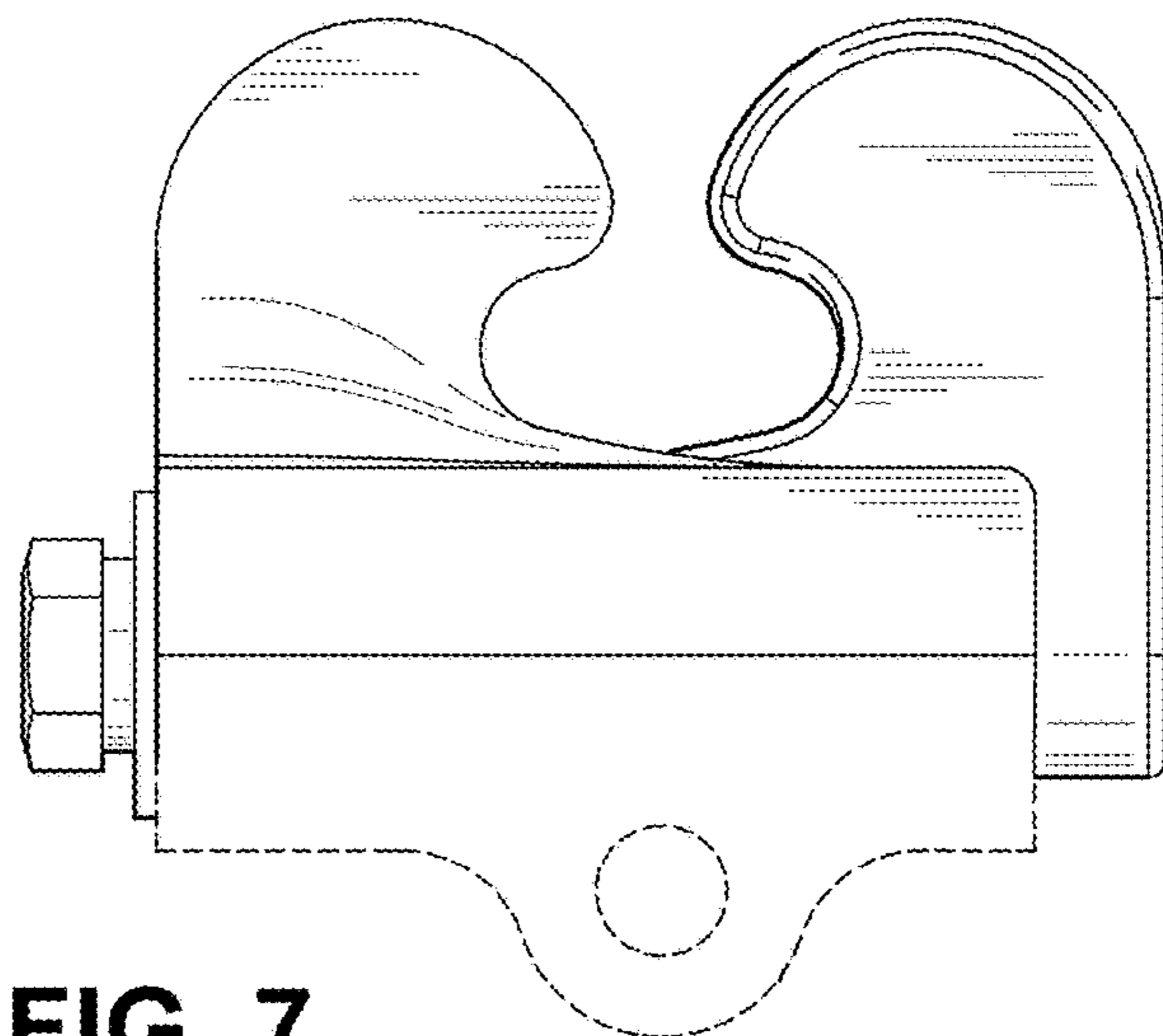


FIG. 7