



US00D986046S

(12) **United States Design Patent**
Denton

(10) **Patent No.:** **US D986,046 S**

(45) **Date of Patent:** **** May 16, 2023**

(54) **CLAMP SET FOR OPPOSING SIDES OF A PORTABLE TOILET BOTTOM**

(71) Applicant: **Bradley Denton**, Minooka, IL (US)

(72) Inventor: **Bradley Denton**, Minooka, IL (US)

(**) Term: **15 Years**

(21) Appl. No.: **29/731,863**

(22) Filed: **Apr. 19, 2020**

(51) **LOC (14) Cl.** **08-08**

(52) **U.S. Cl.**
USPC **D8/394**

(58) **Field of Classification Search**
USPC D8/72-73, 367, 394-396; D23/259, 269;
D24/155
CPC H01R 13/639; F16B 45/02; F16B 2/06;
A61F 5/448; F16L 33/06; F16L 37/00;
F16L 23/06; A61B 17/08; A47K 13/10;
A47F 7/00
See application file for complete search history.

(56) **References Cited**

U.S. PATENT DOCUMENTS

- 4,042,264 A * 8/1977 Shumer B25B 5/068
269/88
- D249,889 S * 10/1978 DeAmicis D23/259
- 4,583,269 A * 4/1986 Harris A47K 10/04
223/96
- D340,631 S * 10/1993 Hatcher D8/72
- D342,006 S * 12/1993 Schrock D8/72
- D346,003 S * 4/1994 Anderson D22/108
- 5,450,659 A * 9/1995 Bertram A01M 23/245
24/522
- D367,421 S * 2/1996 Powers D8/402
- D384,459 S * 9/1997 Eisenman D28/39
- D385,469 S * 10/1997 Borgstrom D8/72

- D418,033 S * 12/1999 Svedberg D34/31
- D425,771 S * 5/2000 Dearing D8/71
- 6,667,630 B2 * 12/2003 Abdulky G01R 31/2808
324/754.03
- 7,332,905 B2 * 2/2008 Chen G06F 1/185
324/750.25
- D612,715 S * 3/2010 Weinberg D8/394
- D667,915 S * 9/2012 Nakayama D22/108
- D748,462 S * 2/2016 Taghizadeh D8/394
- D778,135 S * 2/2017 Blank D8/72
- D824,755 S * 8/2018 Bauer D8/394
- D826,023 S * 8/2018 Chun D8/72
- D859,953 S * 9/2019 Pililaau D8/73
- D922,845 S * 6/2021 Hall D8/73
- D923,325 S * 6/2021 Downing D3/215
- 2008/0172780 A1 * 7/2008 Shiau A47K 13/26
4/236
- 2018/0340304 A1 * 11/2018 Martelle E01C 19/52

FOREIGN PATENT DOCUMENTS

KR 300658855.0000 * 9/2012

* cited by examiner

Primary Examiner — John R Yeh

(74) *Attorney, Agent, or Firm* — Donald G. Flaynik

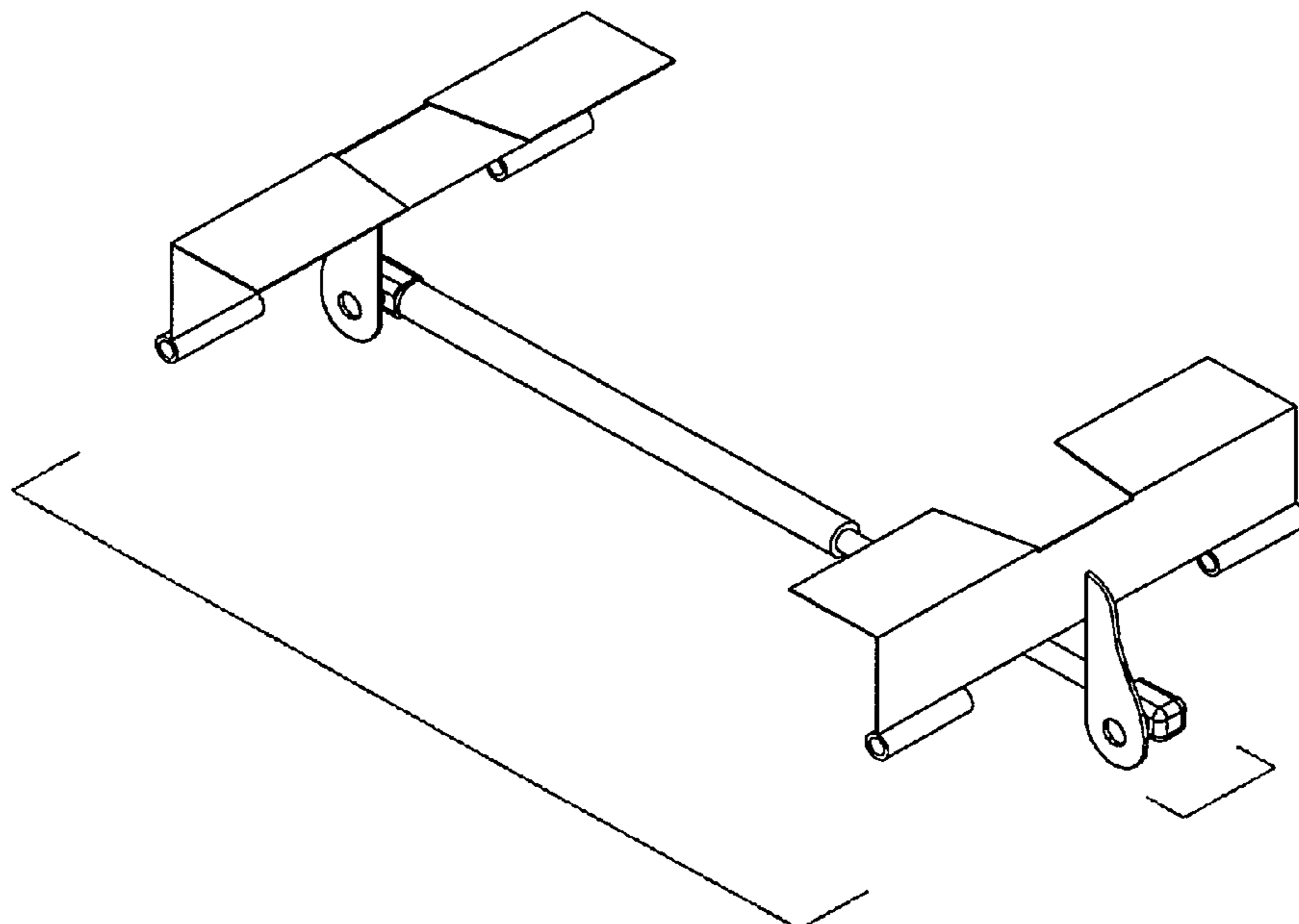
(57) **CLAIM**

The ornamental design for a clamp set for opposing sides of a portable toilet bottom, as shown and described.

DESCRIPTION

FIG. 1 is a front, right side perspective view of my new design for a clamp set for opposing sides of a portable toilet bottom;
FIG. 2 is a top plan view thereof;
FIG. 3 is a bottom plan view thereof;
FIG. 4 is a left side elevation view of thereof; and,
FIG. 5 is a back elevation view thereof.

1 Claim, 5 Drawing Sheets



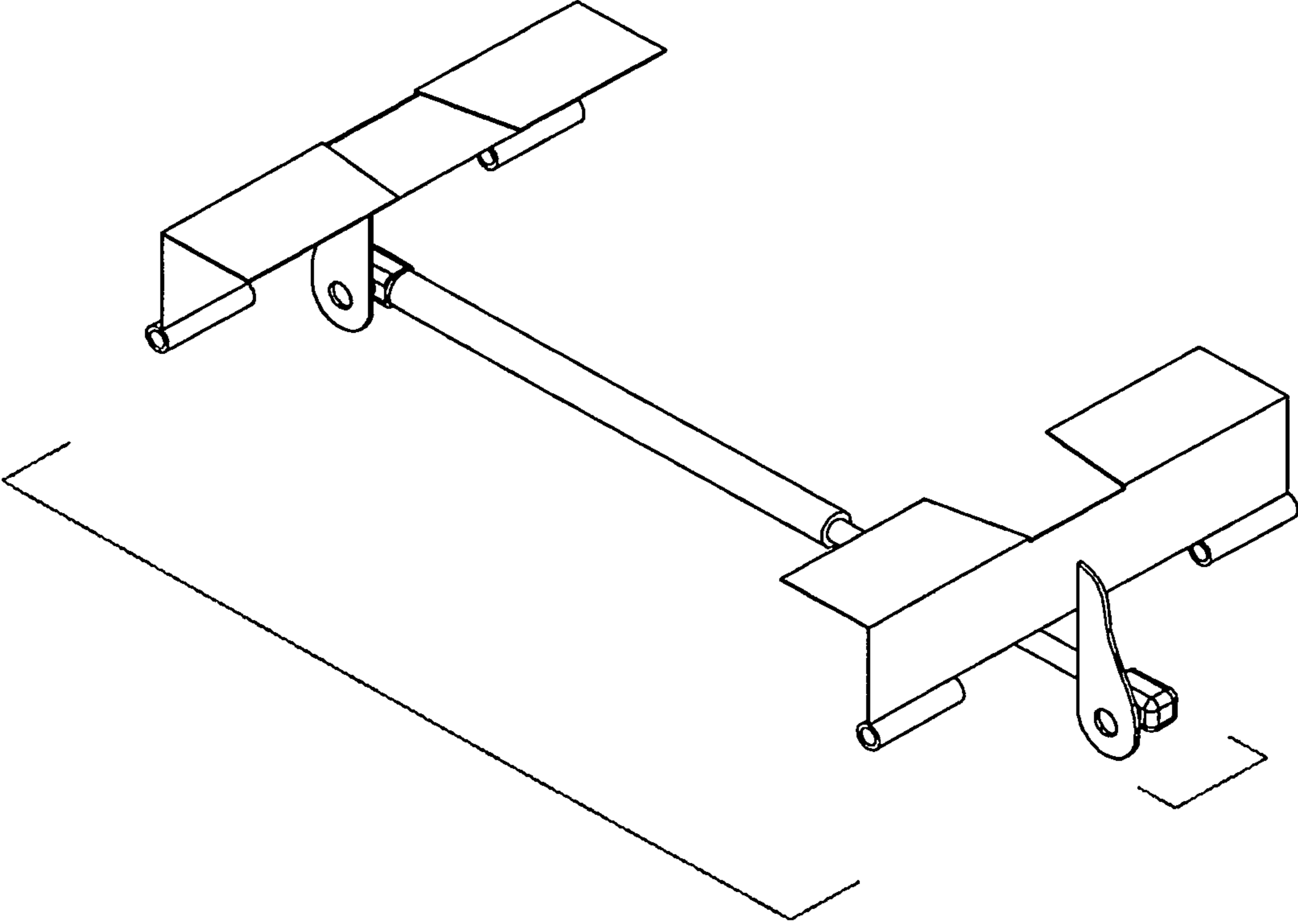


Figure 1

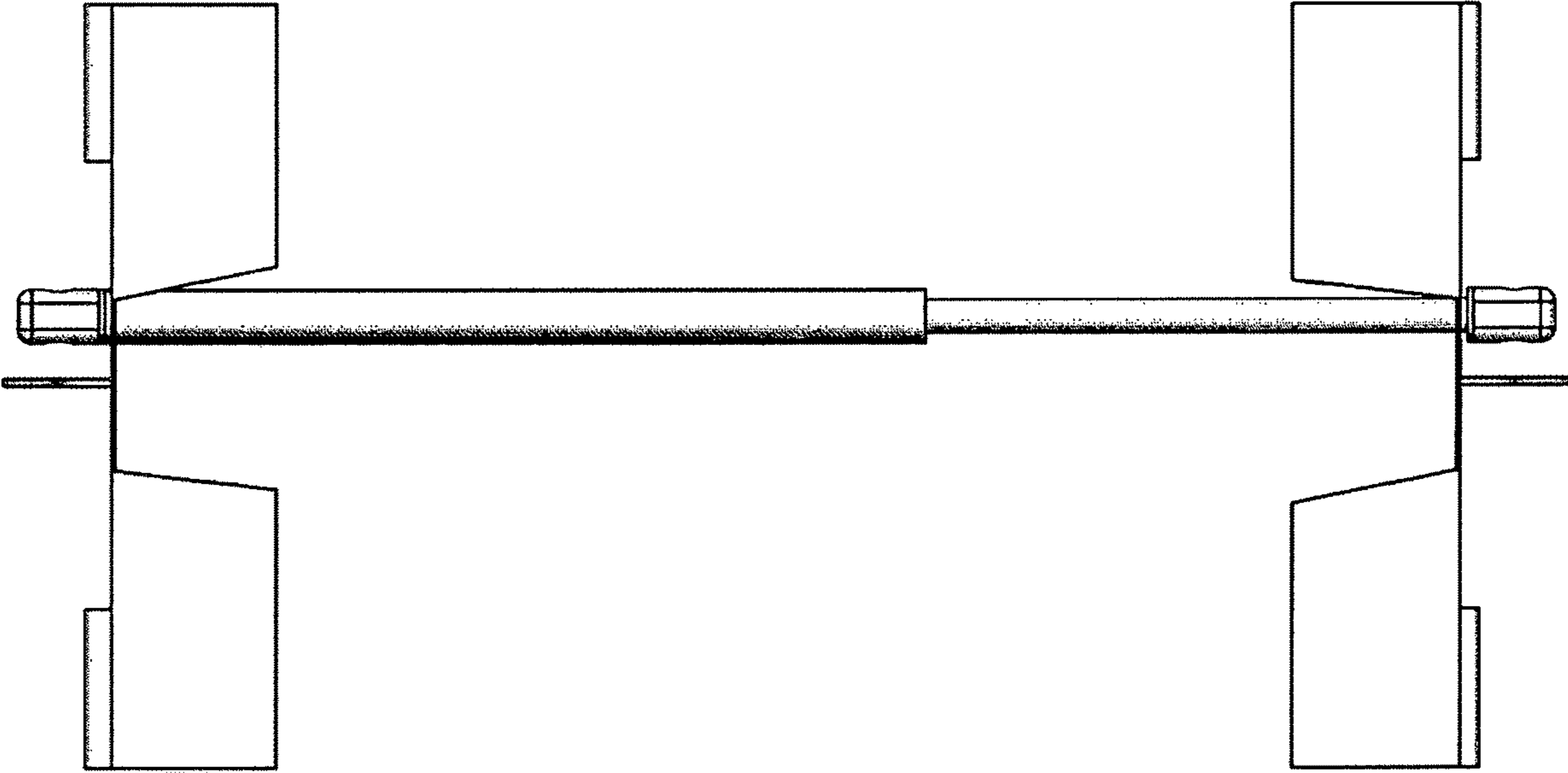


Figure 2

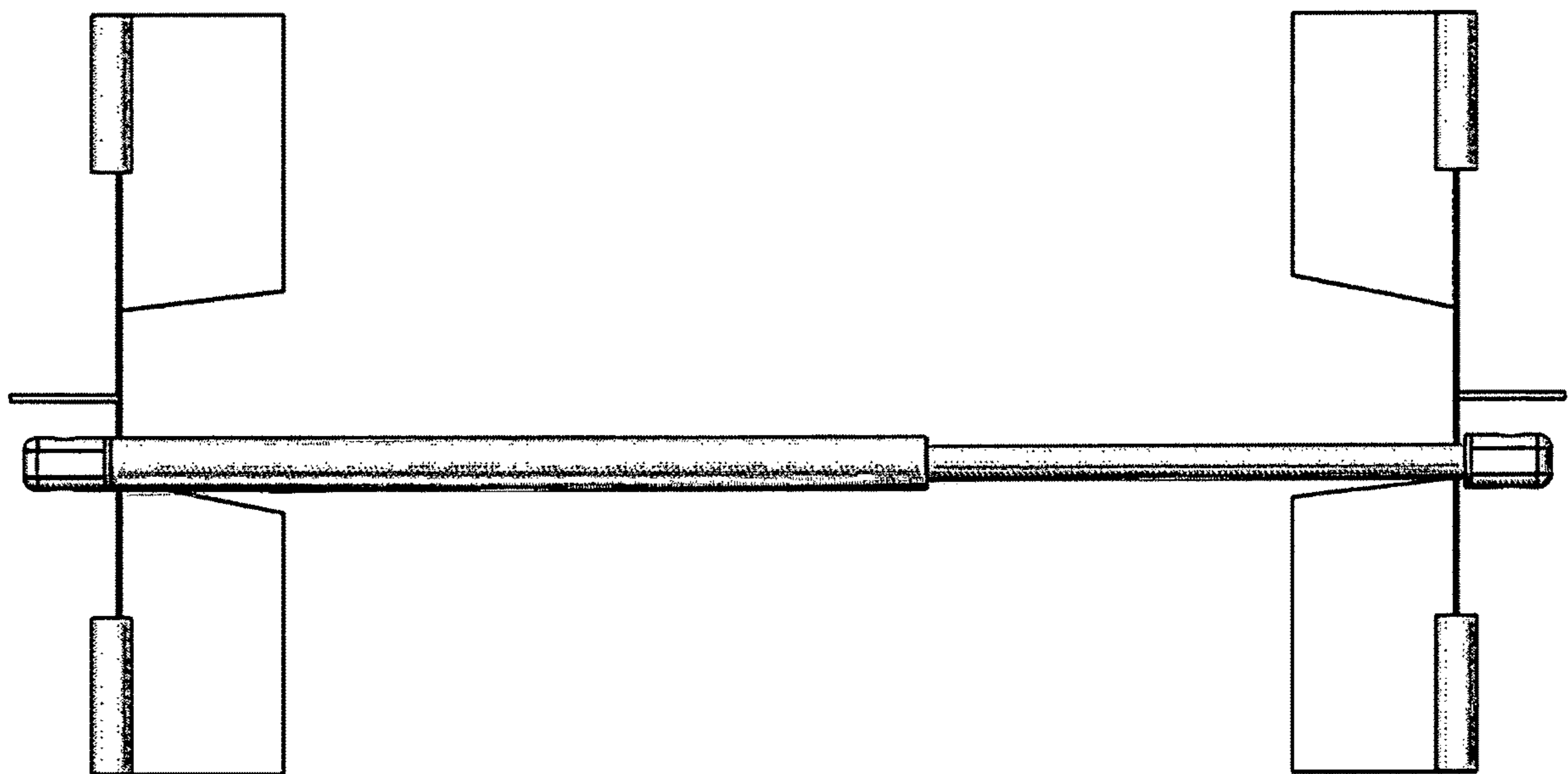


Figure 3

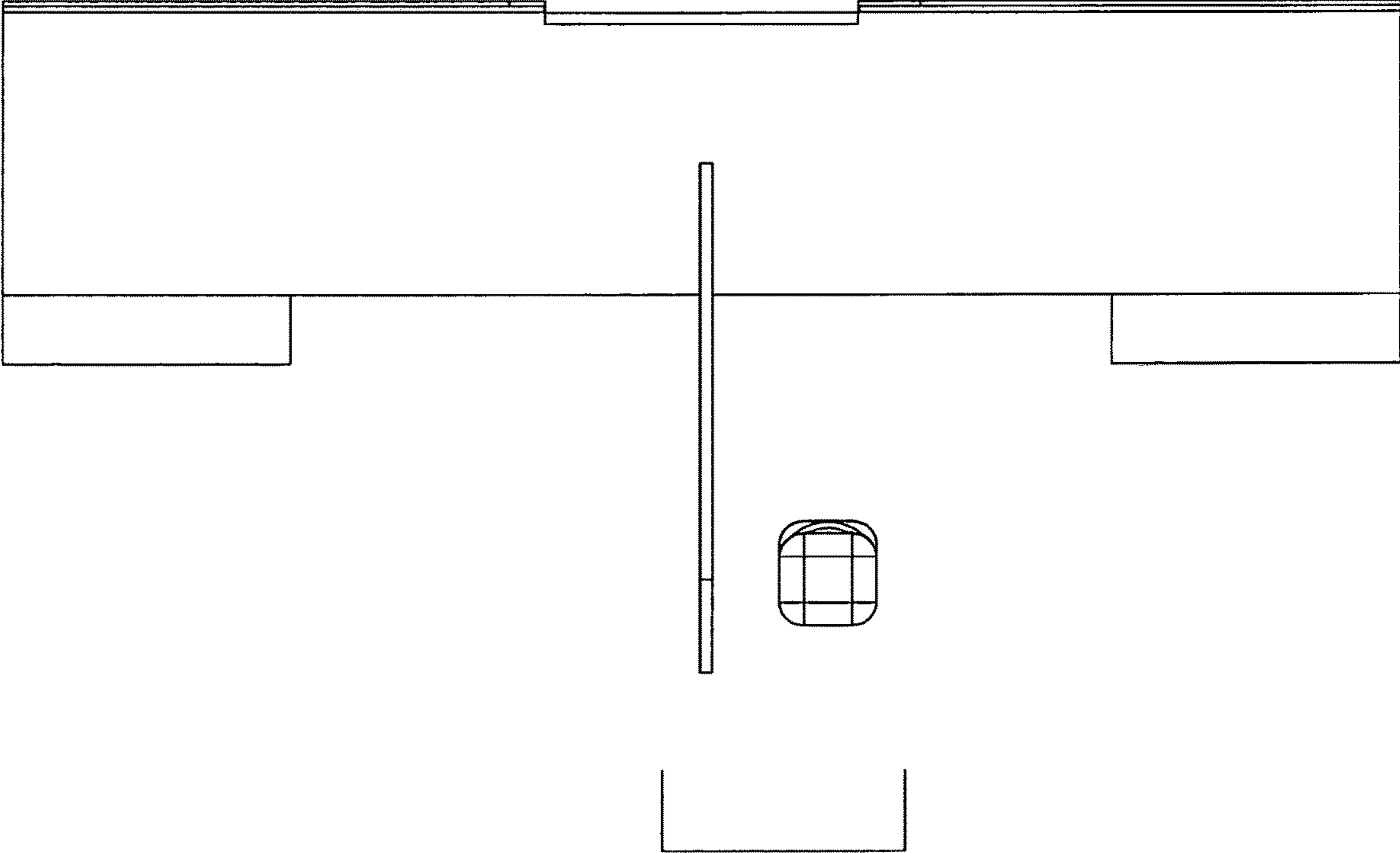


Figure 4

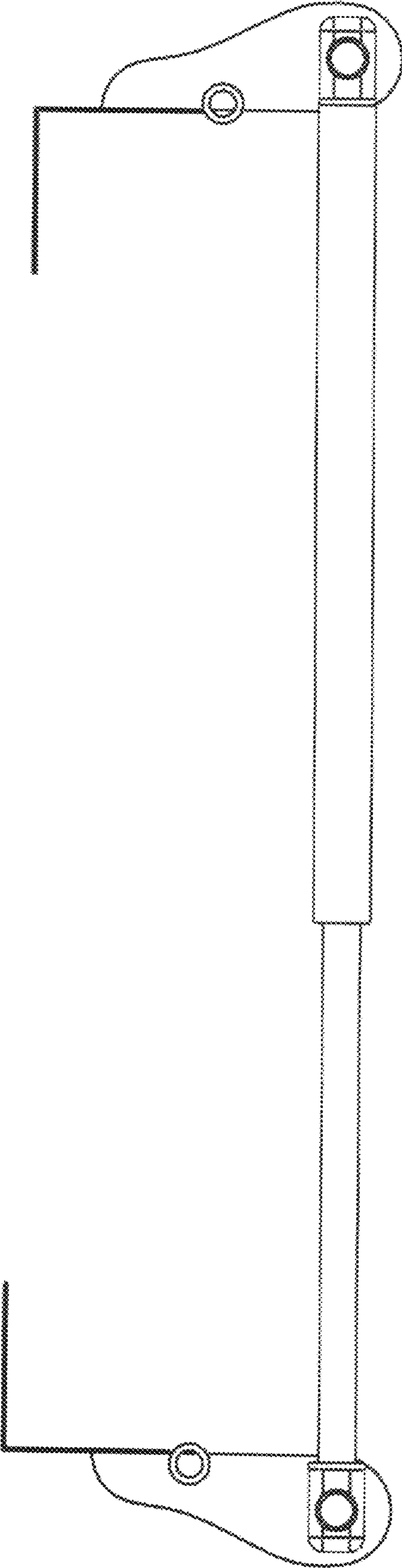


Figure 5