



US00D986044S

(12) **United States Design Patent** (10) **Patent No.:** **US D986,044 S**
Brigham et al. (45) **Date of Patent:** **** May 16, 2023**

(54) **FASTENER SLEEVE**

OTHER PUBLICATIONS

(71) Applicant: **SIMPSON STRONG-TIE COMPANY INC.**, Pleasanton, CA (US)

Fastcap Deflector Fastener (accessed May 2020) <https://www.fastcap.com/product/deflector?cat=290>.

(Continued)

(72) Inventors: **Gueary Andrew Brigham**, Nashville, TN (US); **Troy Hale**, Goodlettsville, TN (US); **Jeremy Scott Park**, Gallatin, TN (US); **Adam Tillinghast**, Nashville, TN (US)

Primary Examiner — Sheryl Lane

Assistant Examiner — Ieisha N Price

(74) *Attorney, Agent, or Firm* — Buchalter; Cecily Anne O'Regan

(73) Assignee: **SIMPSON STRONG-TIE COMPANY INC.**, Pleasanton, CA (US)

(**) Term: **15 Years**

(57) **CLAIM**

(21) Appl. No.: **29/744,962**

The ornamental design for a fastener sleeve, as shown and described.

(22) Filed: **Aug. 3, 2020**

(51) **LOC (14) Cl.** **08-08**

(52) **U.S. Cl.**
USPC **D8/385**

(58) **Field of Classification Search**
USPC D8/382, 385, 386, 387
CPC F16B 13/003; F16B 13/004; F16B 13/005;
F16B 2013/007; F16B 2013/009; F16B 13/02; F16B 13/04; F16B 13/045; F16B

(Continued)

(56) **References Cited**

U.S. PATENT DOCUMENTS

1,234,487 A * 7/1917 Raeger F16B 13/124
411/80.1

1,296,374 A * 3/1919 Droege F16B 13/066
411/64

(Continued)

FOREIGN PATENT DOCUMENTS

DE 2637797 A1 * 2/1978 F16B 13/066
DE 8715882 U1 2/1988

(Continued)

DESCRIPTION

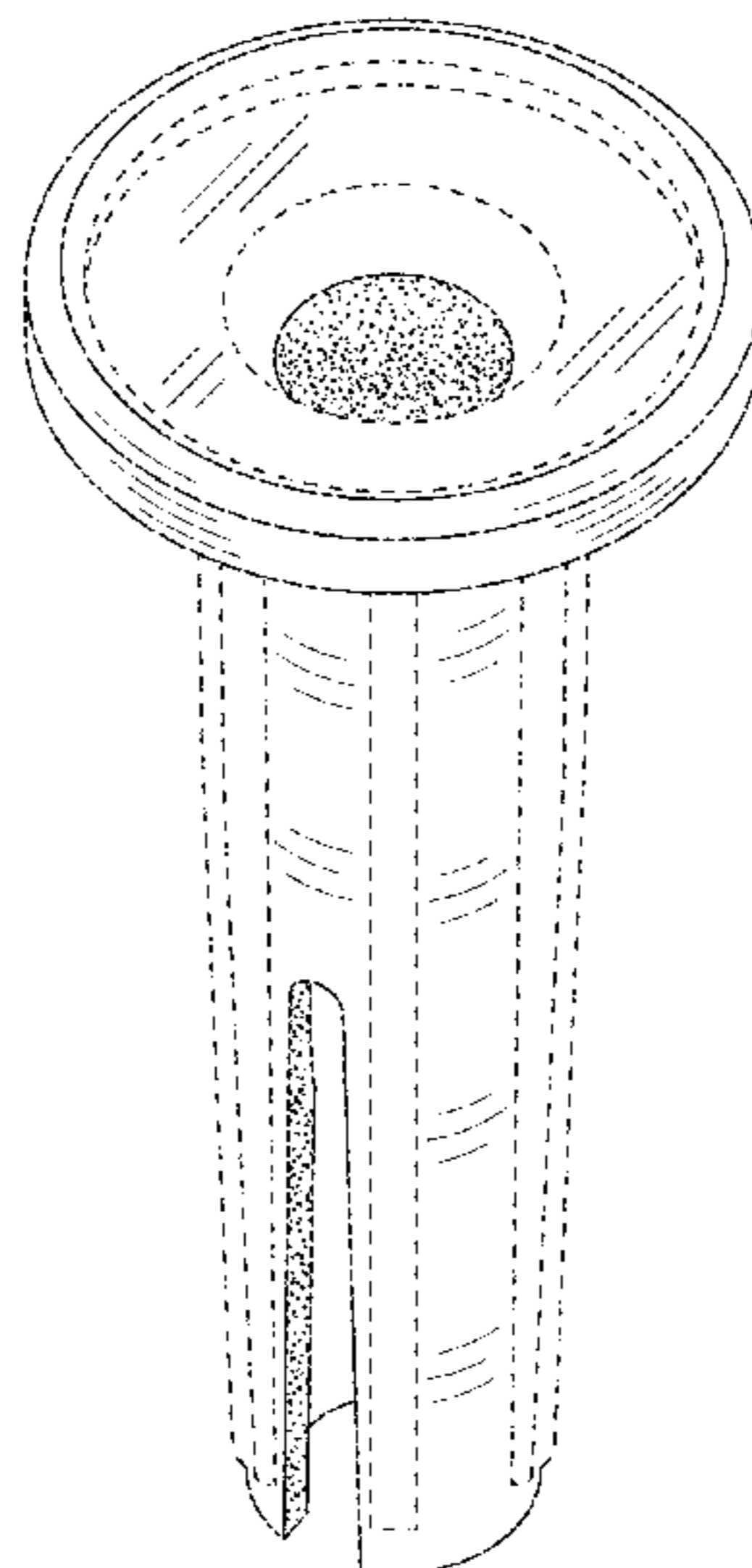
This application is related to the following co-pending U.S. design patent application: application Ser. No. 29/744,960 filed Aug. 3, 2020, entitled Fastener Sleeve which application is incorporated herein in its entirety by reference.

FIG. 1 is a perspective top view of a fastener sleeve; FIG. 2 is a perspective bottom view of a fastener sleeve; FIG. 3 is a right side elevation view of a fastener sleeve, the left side elevation view being a mirror image thereof; FIG. 4 is a top side elevation view of a fastener sleeve, the bottom side elevation view being a mirror image thereof; FIG. 5 is a top elevation view of a fastener sleeve; and, FIG. 6 is a bottom elevation view of a fastener sleeve.

The drawings include surface shading which illustrates contour and not surface ornamentation.

The broken lines showing of the screw in FIG. 3 and FIG. 4 illustrates the environment of the claimed design and forms no part thereof. The remaining broken lines in the drawings illustrate portions of the fastener sleeve and form no part of the claimed design.

1 Claim, 5 Drawing Sheets



(58) **Field of Classification Search**

CPC 13/06; F16B 13/063; F16B 13/065; F16B 13/066; F16B 13/068; F16B 13/08; F16B 13/0825; F16B 13/124; F16B 13/128
See application file for complete search history.

(56) **References Cited**

U.S. PATENT DOCUMENTS

1,683,796 A 9/1928 Pearce
1,848,142 A * 3/1932 Peirce F16B 13/126
411/64
2,150,080 A * 3/1939 Rawlings F16B 13/12
411/37
2,940,488 A 6/1960 Riley, Jr.
3,091,423 A * 5/1963 Butterworth F16B 19/1081
248/220.43
3,171,321 A * 3/1965 Fischer F16B 13/124
411/80.5
3,260,544 A 7/1966 Hathaway, Jr.
3,490,329 A 1/1970 Karl
3,593,612 A * 7/1971 Schulze F16B 13/02
411/15
3,613,497 A 10/1971 Helder mann
3,756,115 A * 9/1973 Schuplin F16B 21/086
411/508
3,765,295 A * 10/1973 Ptak F16B 13/126
411/41
D232,519 S * 8/1974 Saisho D8/386
3,841,474 A 10/1974 Maier
3,881,293 A 5/1975 Conville
3,910,324 A 10/1975 Nasiatka
4,028,986 A 6/1977 Beton
4,083,289 A * 4/1978 Erickson F16B 19/1081
411/16
4,085,651 A * 4/1978 Koscik F16B 19/1081
411/41
4,182,218 A * 1/1980 Combette F16B 13/126
411/71
D262,093 S * 12/1981 Bush 52/687
D263,557 S * 3/1982 Einhorn D8/385
4,370,082 A 1/1983 Sundberg
4,388,031 A * 6/1983 Rodgers F16B 19/086
411/344
4,416,572 A 11/1983 Black
4,662,808 A * 5/1987 Camilleri F16B 13/12
411/340
4,801,230 A 1/1989 Wilburn
4,871,289 A * 10/1989 Choiniere E04D 3/3603
411/48
5,065,490 A * 11/1991 Wivagg F16B 19/1081
29/402.17
5,476,350 A * 12/1995 Kurtz F16B 19/1081
411/508
D379,578 S 6/1997 Daniels
5,906,080 A 5/1999 diGirolamo et al.
6,352,398 B1 3/2002 Gonnet
6,688,829 B1 2/2004 Popovich et al.
D498,414 S * 11/2004 Yoneoka D8/382
6,824,342 B2 11/2004 Gassmann et al.
6,868,757 B2 3/2005 Hufnagl et al.
6,942,439 B2 9/2005 Rouger
7,104,024 B1 9/2006 diGirolamo et al.
7,182,565 B2 2/2007 Buytaert et al.
7,240,905 B1 7/2007 Stahl
D557,409 S * 12/2007 Veliss D24/110.1
7,387,054 B2 6/2008 Rajotte
7,794,190 B2 9/2010 Gauthier et al.

8,066,463 B2 11/2011 Georges
D660,139 S * 5/2012 Gaudron D8/385
8,458,972 B1 6/2013 Stodola et al.
8,595,999 B1 12/2013 Pilz et al.
D752,963 S * 4/2016 Kaupp D8/385
9,360,032 B2 6/2016 Dicaire
9,523,193 B2 12/2016 Pilz
10,145,404 B2 12/2018 Shadwell
10,150,206 B2 12/2018 Ko
D856,787 S * 8/2019 Cabaj D8/385
10,590,978 B2 3/2020 Shadwell
D895,776 S * 9/2020 Horning D23/265
2002/0127081 A1 * 9/2002 Filipp E05D 5/023
411/58
2002/0150442 A1 * 10/2002 Remmers F16B 13/126
411/340
2002/0185327 A1 12/2002 Morykon et al.
2003/0068205 A1 4/2003 Augustine
2004/0194415 A1 * 10/2004 Frischmann E04B 1/7633
52/698
2005/0152766 A1 * 7/2005 Ballou F16B 13/063
411/57.1
2005/0152768 A1 * 7/2005 Hepworth F16B 13/001
411/82.5
2005/0238456 A1 * 10/2005 Stinson F16B 19/109
411/34
2006/0067803 A1 3/2006 Hsu
2007/0034060 A1 2/2007 McCracken
2007/0053768 A1 3/2007 Durig
2007/0122253 A1 5/2007 Murtha
2007/0258787 A1 11/2007 Hsu
2008/0131231 A1 * 6/2008 Kuna E03C 1/0402
411/433
2013/0186020 A1 7/2013 Pilz
2013/0205694 A1 8/2013 Stahl, Jr.
2014/0075865 A1 3/2014 Pilz et al.
2014/0360123 A1 12/2014 Dicaire
2015/0275510 A1 10/2015 Klein et al.
2016/0097197 A1 4/2016 Pilz
2016/0279769 A1 9/2016 Arslan
2017/0218996 A1 8/2017 Takeda et al.
2019/0127974 A1 5/2019 Dicaire et al.
2020/0362899 A1 * 11/2020 Takahashi B60R 13/00
2022/0034351 A1 2/2022 Brigham et al.

FOREIGN PATENT DOCUMENTS

DE 102004052184 A1 * 5/2006 F16B 13/124
EP 0187617 B1 9/1988
EP 0543723 A1 * 5/1993 F16B 13/066
EP 1972799 A1 9/2008
EP 2474685 A2 7/2012
EP 2868855 A1 * 5/2015 F16B 13/124
ES 1050526 8/2002
FR 2043143 2/1971
GB 498826 A * 1/1939 F16B 13/02
GB 589648 A 6/1947
GB 1498838 A 1/1978
GB 1564221 A * 4/1980 F16B 27/00
GB 2109433 A 6/1983
GB 2385398 A 8/2003
WO WO-2007133410 A2 * 11/2007 F16B 13/065
WO 2016205119 A1 12/2016

OTHER PUBLICATIONS

Fastcap Deflector Offset Tool (accessed May 2020) <https://www.fastcap.com/product/deflector?cat=290>.

* cited by examiner

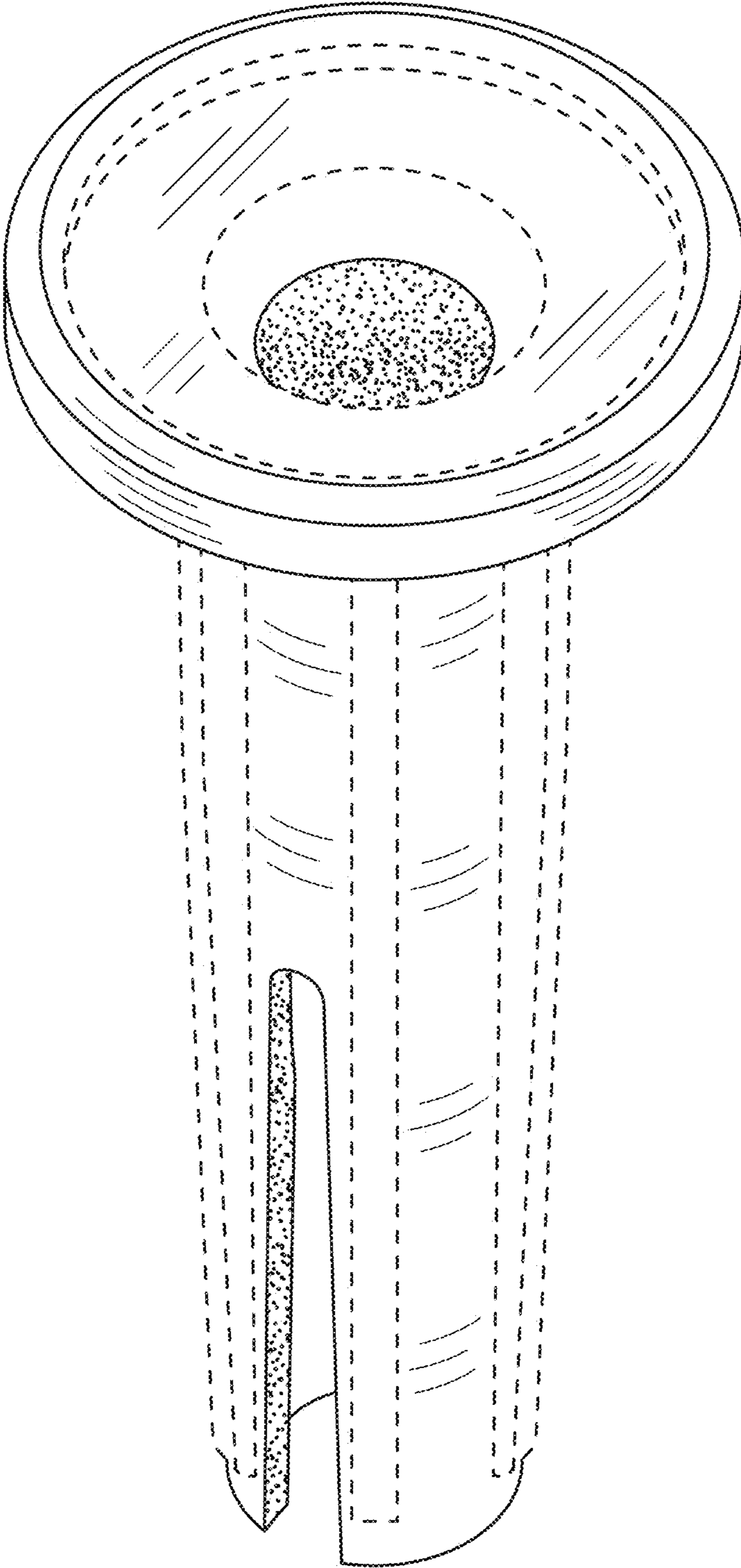


Fig. 1

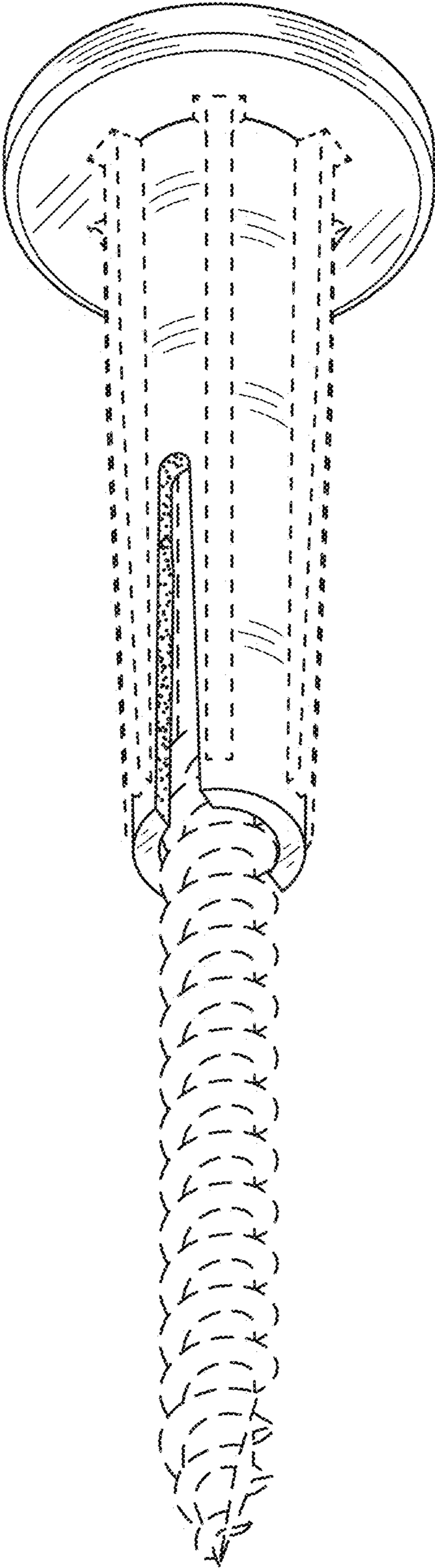


Fig. 2

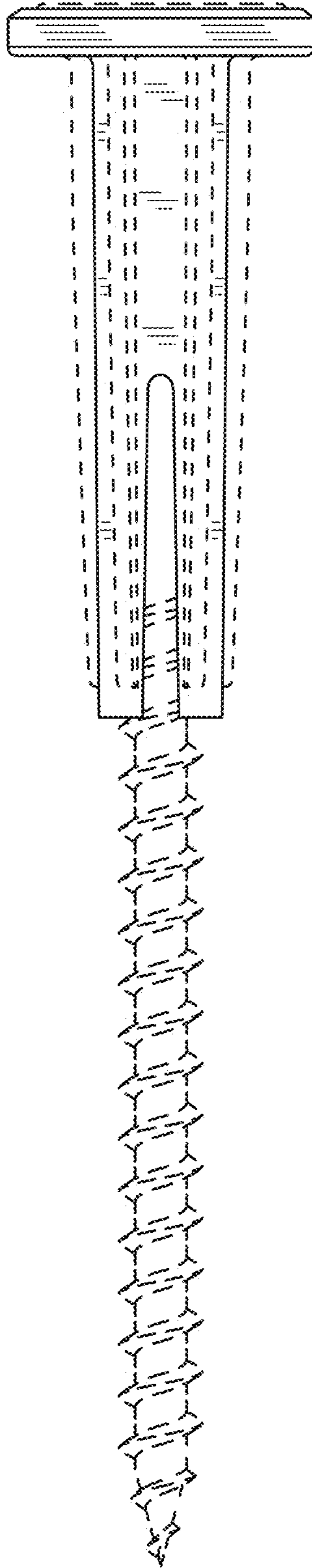


Fig. 3

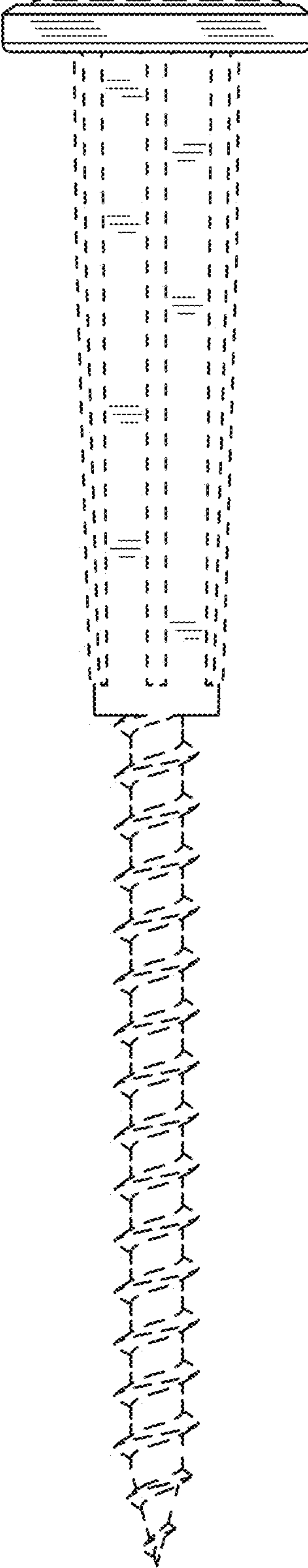


Fig. 4

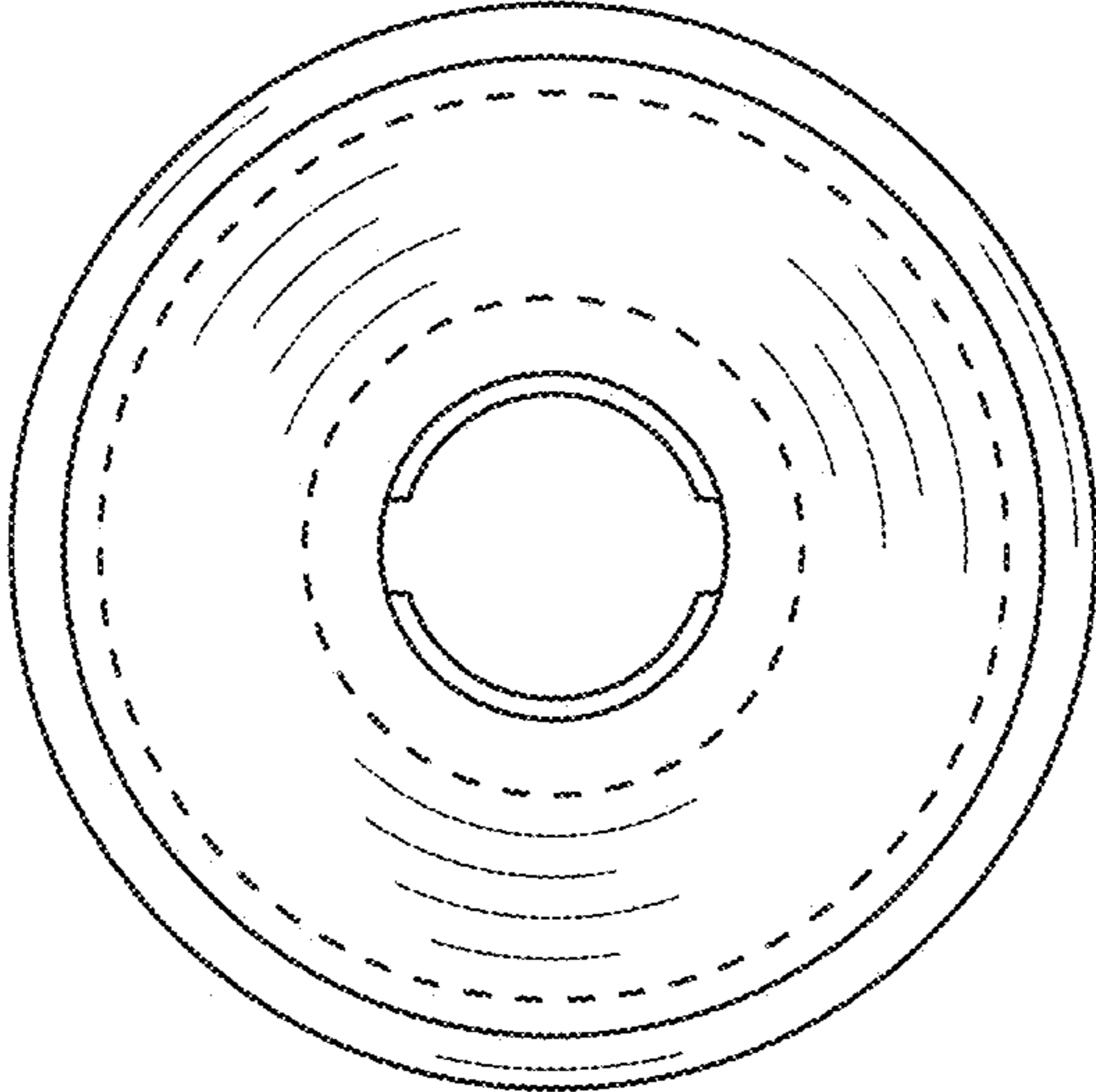


Fig. 5

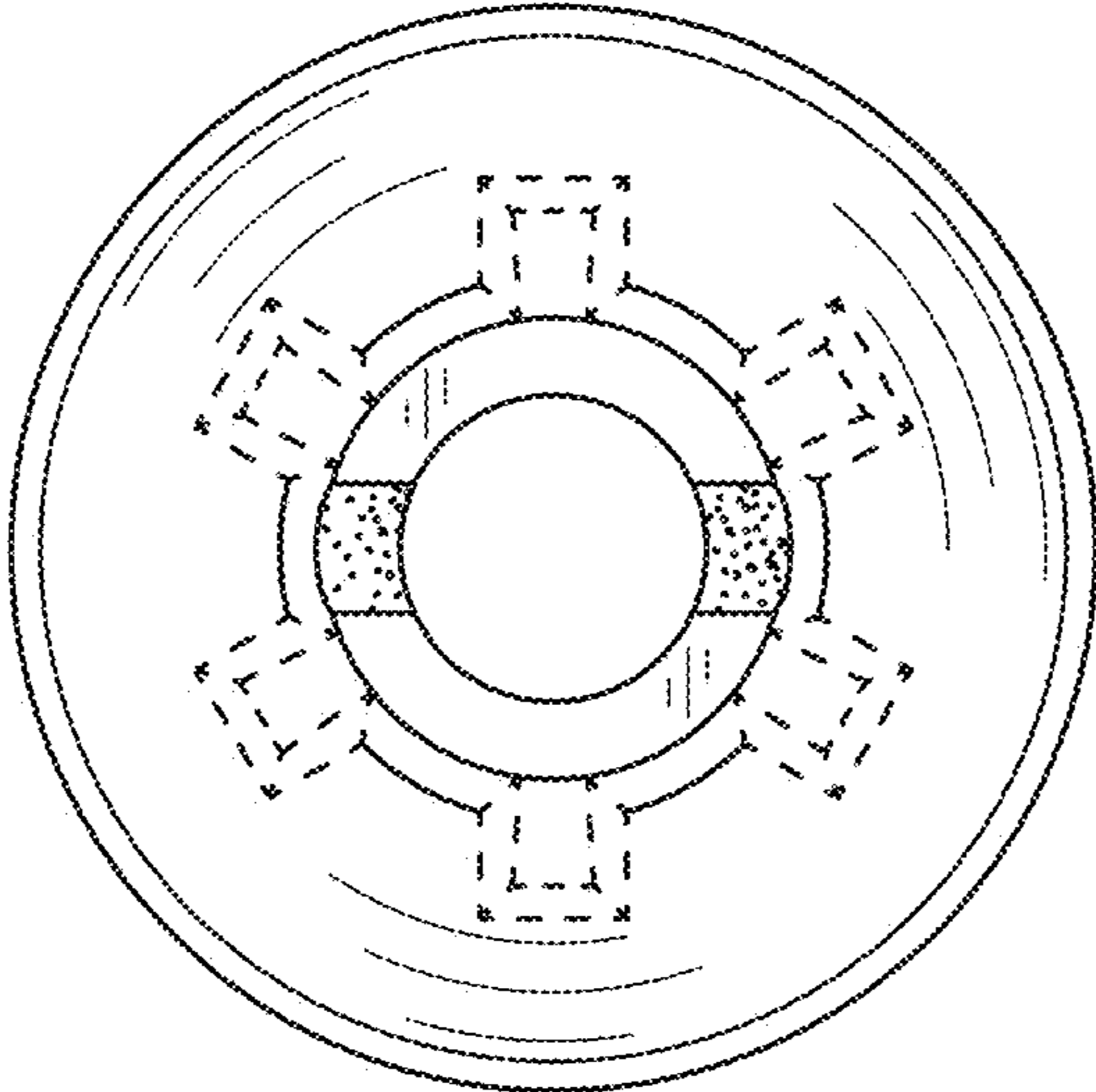


Fig. 6