



US00D986043S

(12) **United States Design Patent**
Schmidt

(10) **Patent No.:** **US D986,043 S**

(45) **Date of Patent:** **** May 16, 2023**

(54) **SHACKLE**

(71) Applicant: **Kyle R. Schmidt**, Clermont, FL (US)

(72) Inventor: **Kyle R. Schmidt**, Clermont, FL (US)

(**) Term: **15 Years**

(21) Appl. No.: **29/836,281**

(22) Filed: **Apr. 26, 2022**

Related U.S. Application Data

(62) Division of application No. 29/679,867, filed on Feb. 11, 2019, now Pat. No. Des. 953,845.

(51) **LOC (14) Cl.** **09-06**

(52) **U.S. Cl.**
USPC **D8/356; D8/367**

(58) **Field of Classification Search**
USPC D8/356, 367, 333, 330, 339, 331, 382;
D12/162

CPC F16G 15/06; F16B 39/32
See application file for complete search history.

(56) **References Cited**

U.S. PATENT DOCUMENTS

125,744	A *	4/1872	Low	F16G 15/06 59/86
268,785	A *	12/1882	Duling	F16G 15/06 278/96
367,074	A *	7/1887	Stowe	F16G 15/06 384/396
897,347	A *	9/1908	Buckius	F16G 15/06 278/96
1,016,183	A *	1/1912	Sweeney	F16G 15/06 278/96.2
1,287,869	A *	12/1918	Buckius	F16G 15/06 278/96
1,380,903	A	6/1921	Austin		
3,077,178	A	2/1963	Gordon		

(Continued)

FOREIGN PATENT DOCUMENTS

CN 300704535 * 10/2007
CN 302929296 * 9/2014

(Continued)

OTHER PUBLICATIONS

Moose Knuckle Offroad XL Shackles; See Attached Appendix: "Notice of References Cited—Continuation Sheet of Non-Patent Documents—Section U" for NPL Information (Year: 2022).*

(Continued)

Primary Examiner — S. Bryan Reinholdt, Jr.

Assistant Examiner — Ieisha N Price

(74) *Attorney, Agent, or Firm* — Terry M. Sanks, Esq.;
Beusse Sanks, PLLC

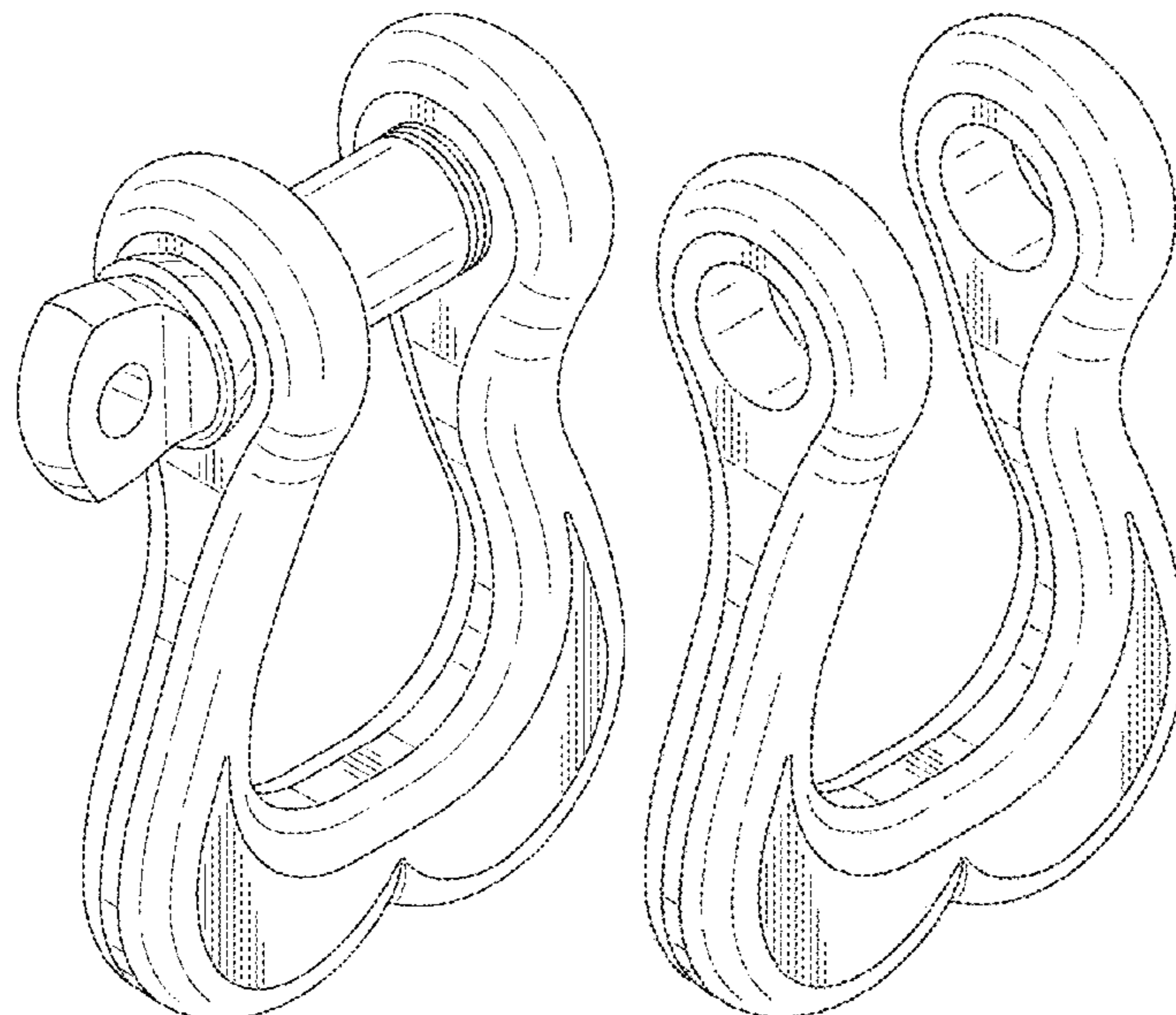
(57) **CLAIM**

The ornamental design for a shackle, as shown and described.

DESCRIPTION

FIG. 1 is a front perspective view of the shackle;
FIG. 2 is a top view thereof;
FIG. 3 is a bottom view thereof;
FIG. 4 is a front view thereof; the back view being a mirror image thereto;
FIG. 5 is a left side view thereof;
FIG. 6 is a right side view thereof;
FIG. 7 is a front perspective view of the shackle thereof with the bolt removed for ease of illustration;
FIG. 8 is a top view thereof of FIG. 7;
FIG. 9 is a bottom view thereof of FIG. 7;
FIG. 10 is a front view thereof of FIG. 7; the back view being a mirror image thereto; and,
FIG. 11 is a left side view thereof of FIG. 7; the right side view being a mirror image thereto.

1 Claim, 5 Drawing Sheets



(56)

References Cited

U.S. PATENT DOCUMENTS

3,656,293 A * 4/1972 Lowery, Sr. F16G 15/06
59/86
4,068,960 A * 1/1978 Swager F16G 15/06
403/324
4,079,584 A * 3/1978 Shahan B21K 1/72
59/35.1
4,100,729 A * 7/1978 Bartoletto F16G 15/06
59/86
D265,173 S * 6/1982 Brooks D8/367
4,476,673 A * 10/1984 Brown F16G 15/06
411/317
D294,335 S 2/1988 Gatsos
4,914,903 A * 4/1990 Bernt F16G 15/06
474/218
5,114,260 A * 5/1992 Hart F16G 15/06
403/24
5,429,007 A * 7/1995 Khachaturian G01L 5/047
73/862.56
5,433,547 A * 7/1995 Hart F16B 39/32
403/24
5,647,198 A * 7/1997 Mihailovic F16G 15/06
59/93
D431,180 S * 9/2000 Gray, Jr. D8/382
D433,617 S * 11/2000 Gray, Jr. D8/356
7,540,140 B1 * 6/2009 Diaz F16G 15/06
70/52
7,614,209 B1 * 11/2009 Payne F16G 15/06
403/324
8,636,297 B2 1/2014 Merten et al.
D707,529 S * 6/2014 Fretz D8/333
D732,377 S * 6/2015 Miszewski D8/356
D757,518 S * 5/2016 Najarro D8/339
9,382,970 B1 * 7/2016 Teichmiller B66C 1/36
9,726,255 B1 * 8/2017 Tarrant B66C 1/10
D798,130 S * 9/2017 Chi D8/367
9,890,831 B1 * 2/2018 Flesch F16G 15/04
D813,707 S 3/2018 Bonner
10,046,611 B2 8/2018 Fincher
D863,124 S * 10/2019 Siegel D12/162
D899,228 S * 10/2020 Tang D8/367

D899,233 S * 10/2020 Tang D8/367
D953,845 S * 6/2022 Schmidt D8/356
D964,152 S * 9/2022 Yu D8/356
2011/0175384 A1 * 7/2011 Segura B66C 1/40
294/82.1
2012/0201599 A1 * 8/2012 Reppen F16G 15/06
403/348
2013/0074469 A1 * 3/2013 Robins F16G 15/06
59/86
2014/0125074 A1 * 5/2014 Vaz Coelho B66C 1/12
294/82.11
2016/0002008 A1 * 1/2016 Foley B66C 1/12
294/215
2018/0050443 A1 * 2/2018 Griffin B25B 27/08
2018/0201483 A1 * 7/2018 Pickersgill F16B 45/04
2019/0128376 A1 * 5/2019 Turner F16G 11/12
2020/0224747 A1 * 7/2020 Seale F16G 15/06
2020/0339390 A1 * 10/2020 Boyd F16G 15/06
2022/0120334 A1 * 4/2022 Duke F16G 15/06
2022/0136584 A1 * 5/2022 Clarke F16G 15/06
59/86

FOREIGN PATENT DOCUMENTS

CN 306180417 * 11/2020
CN 306509313 * 5/2021
CN 307737468 * 12/2022
EP 0315722 5/1989

OTHER PUBLICATIONS

Beckmann, E., W-shackle Double shackle, Article No. 200729, <https://www.beckmann-cashagen.com/products/w-shackle-double-shackle.html>. Accessed Feb. 11, 2019.
Columbus McKinnon, CM Ramshorn Form B Shank Hooks with Shackle Connection (Per DIN 15402 B), <https://www.cmworks.com/landing/RiggingSuperPage/RiggingSuperPage.aspx?catid=21581>, Accessed Feb. 11, 2019.
GR Industrial Chain and Sprocket, D-link style, connecting shackles, <https://grchain.com/>, Accessed Feb. 11, 2019.

* cited by examiner

FIG. 1

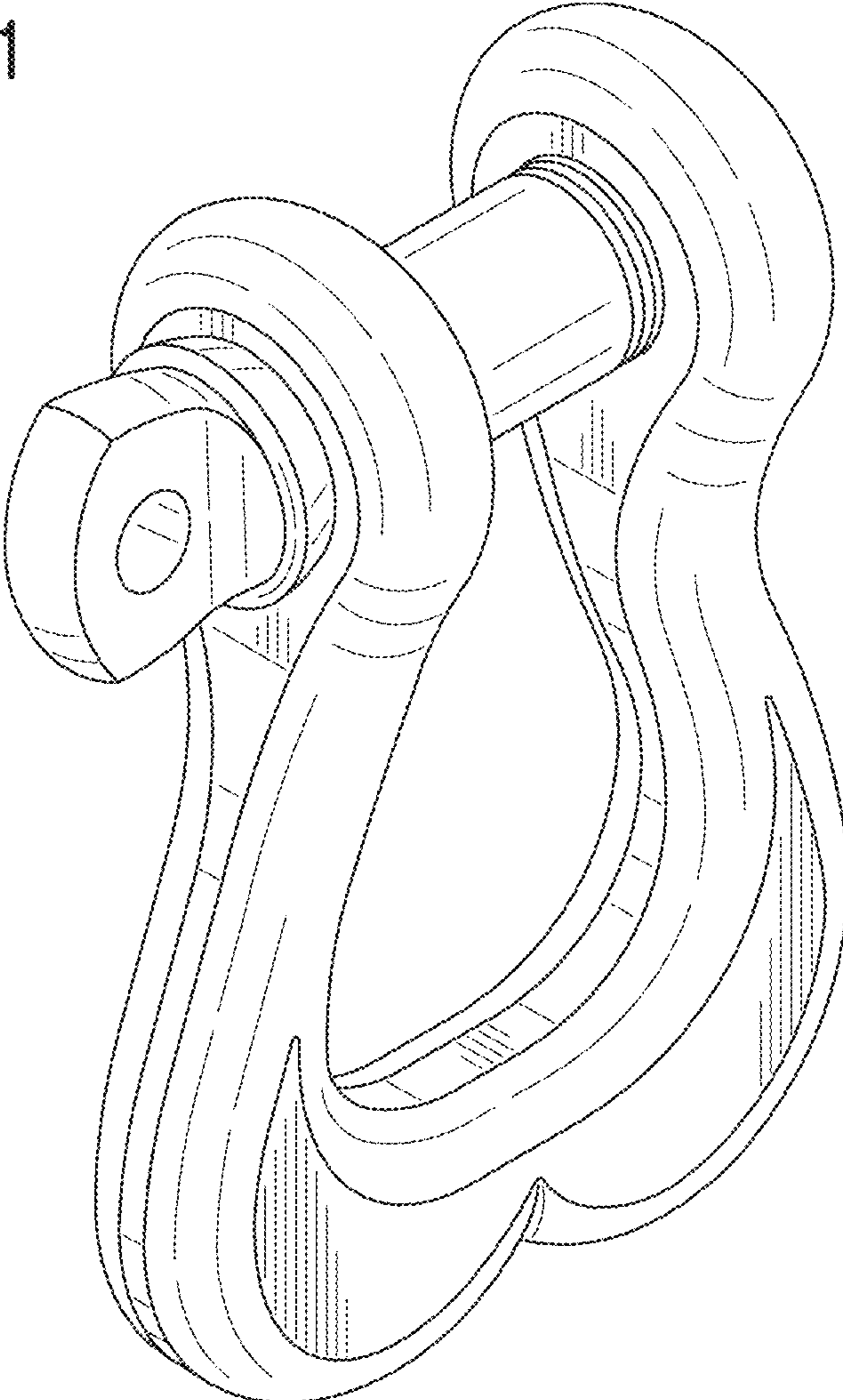


FIG. 2

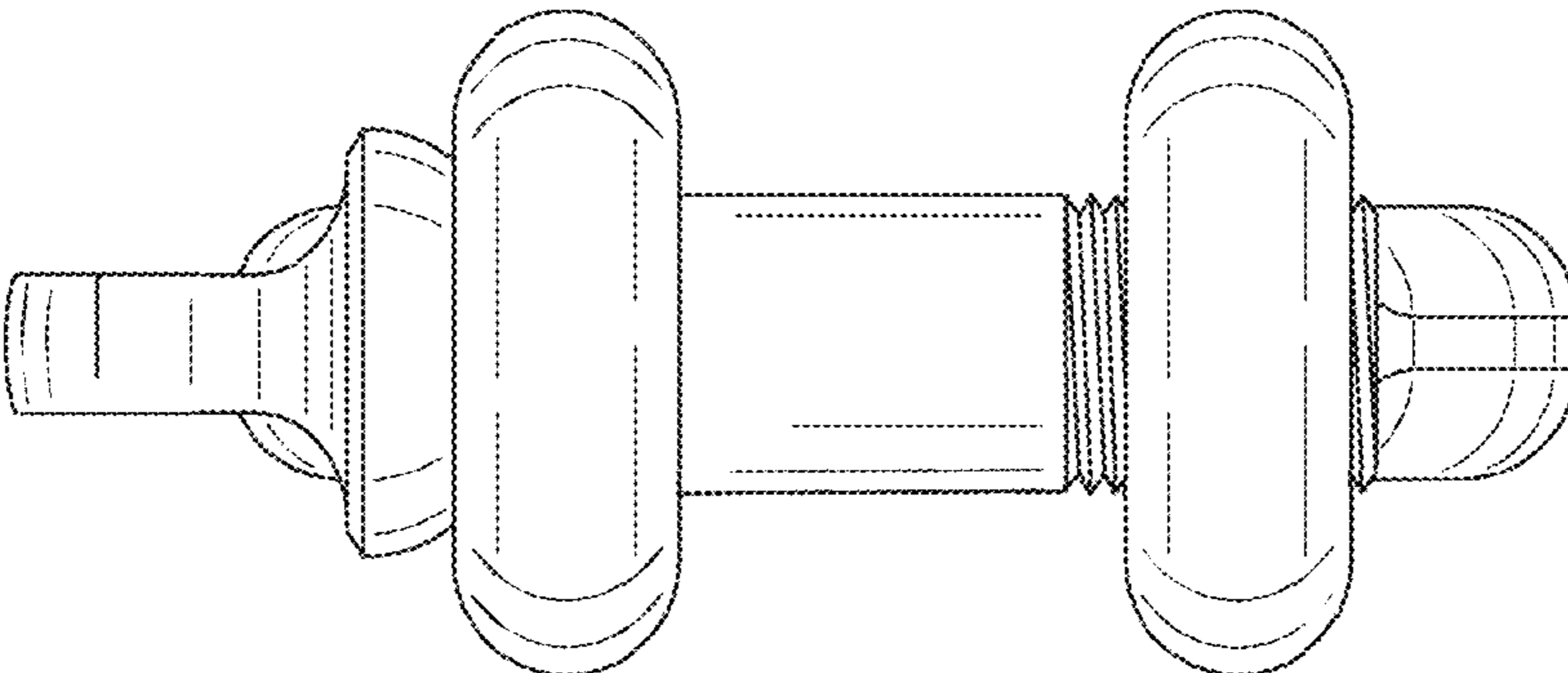


FIG. 3

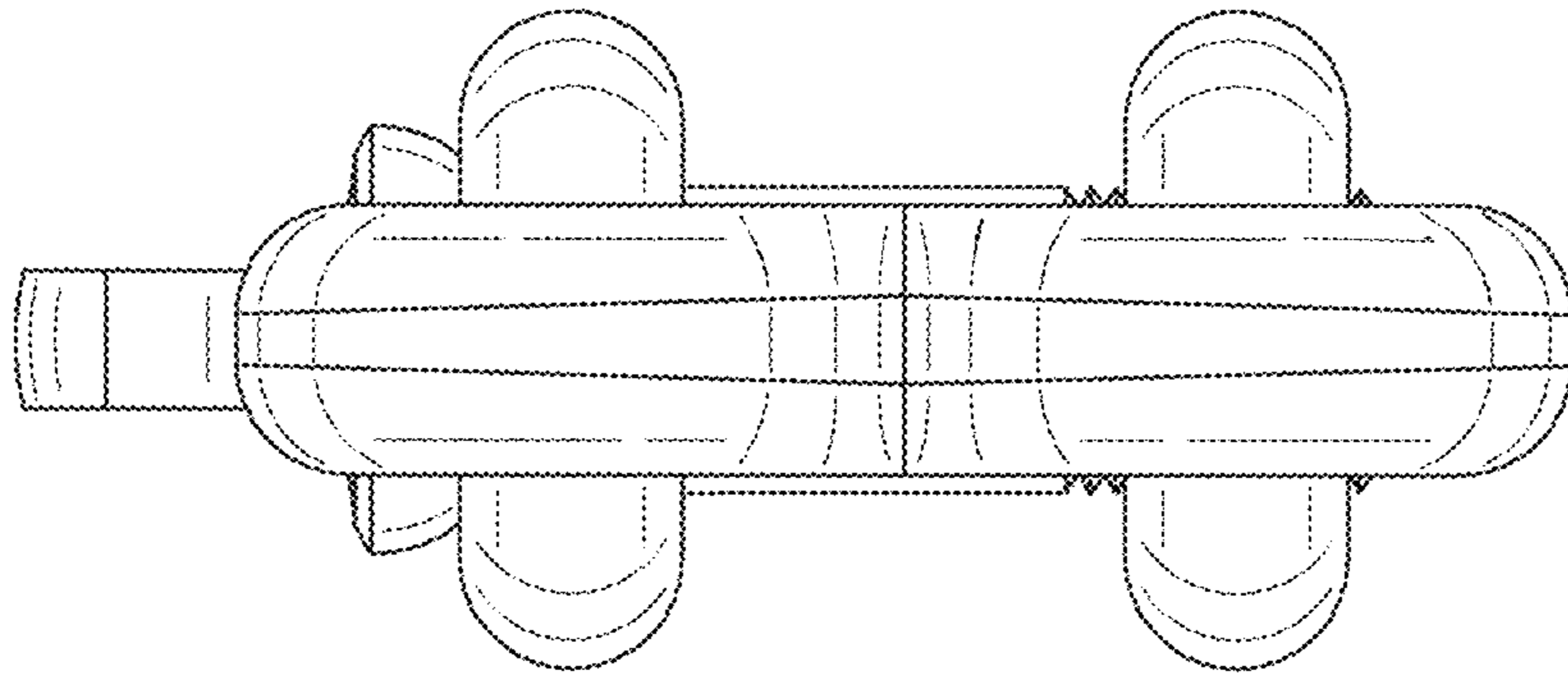


FIG. 4

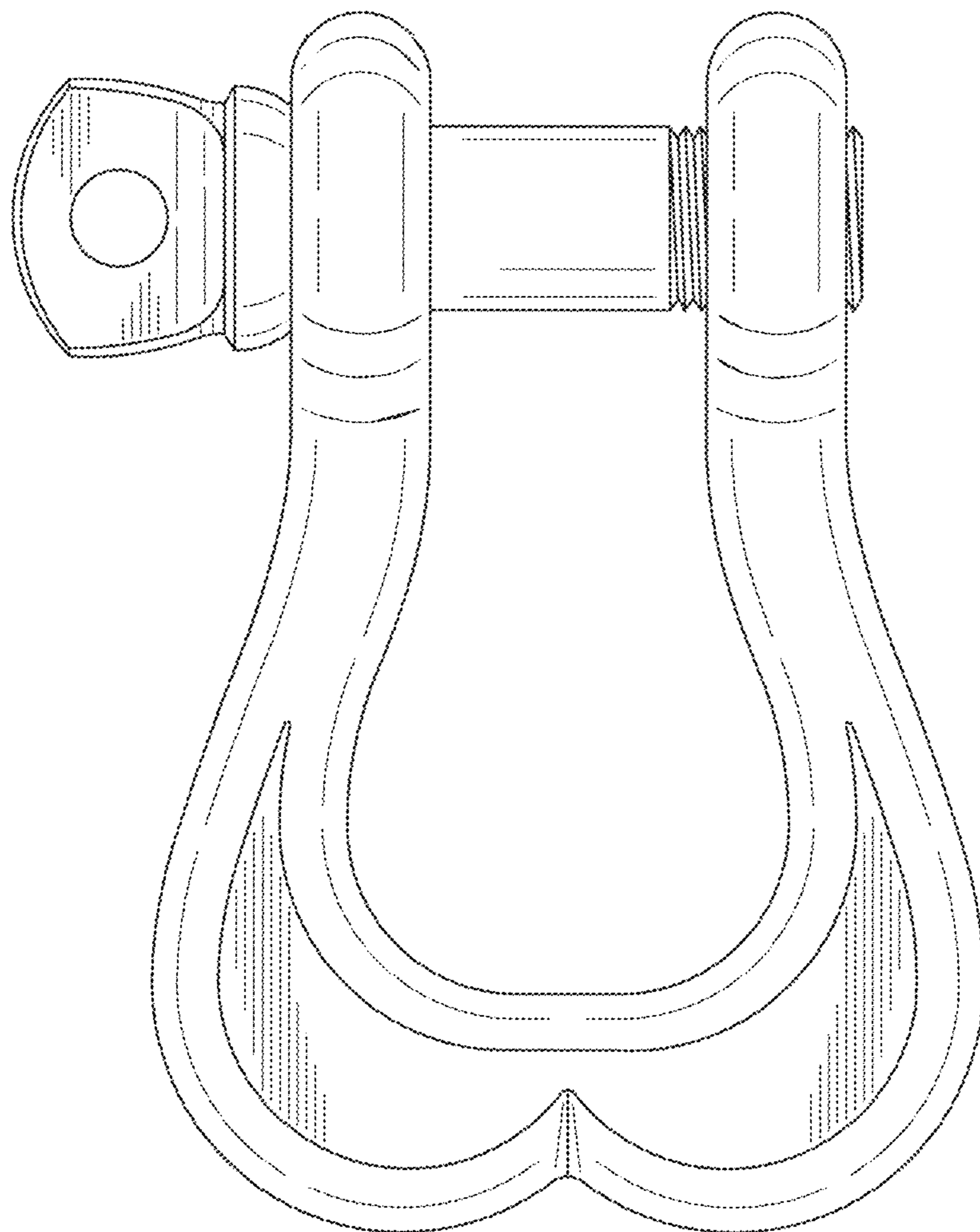


FIG. 5

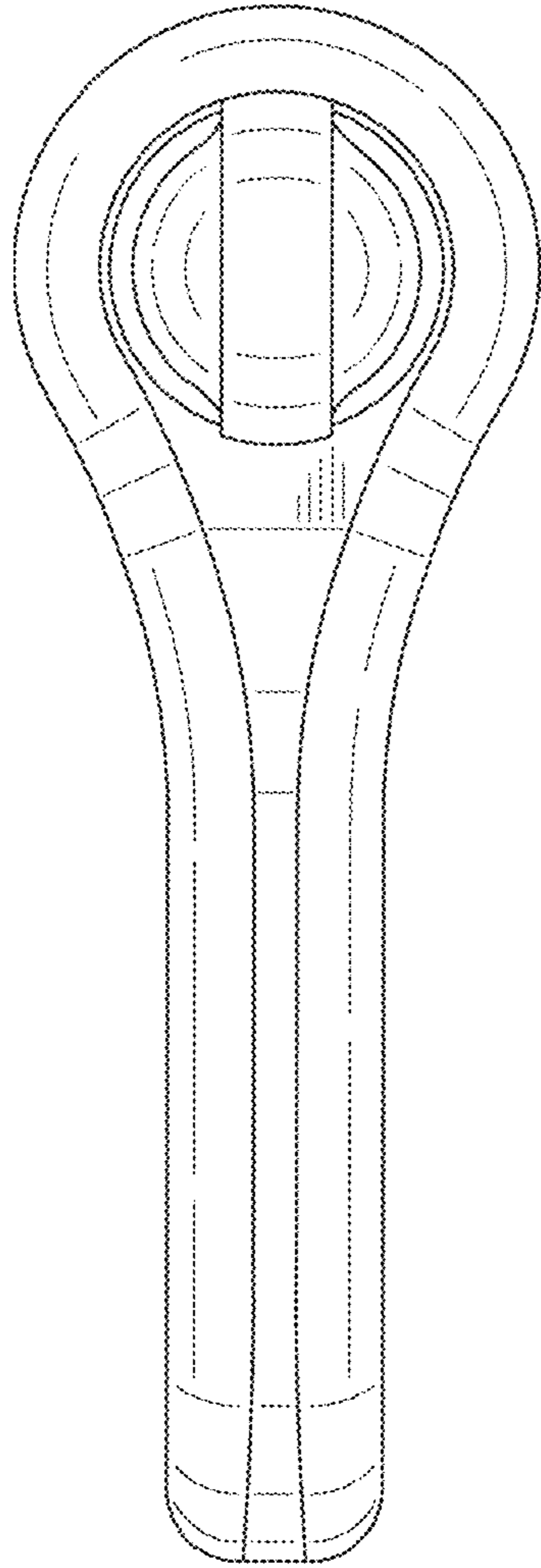
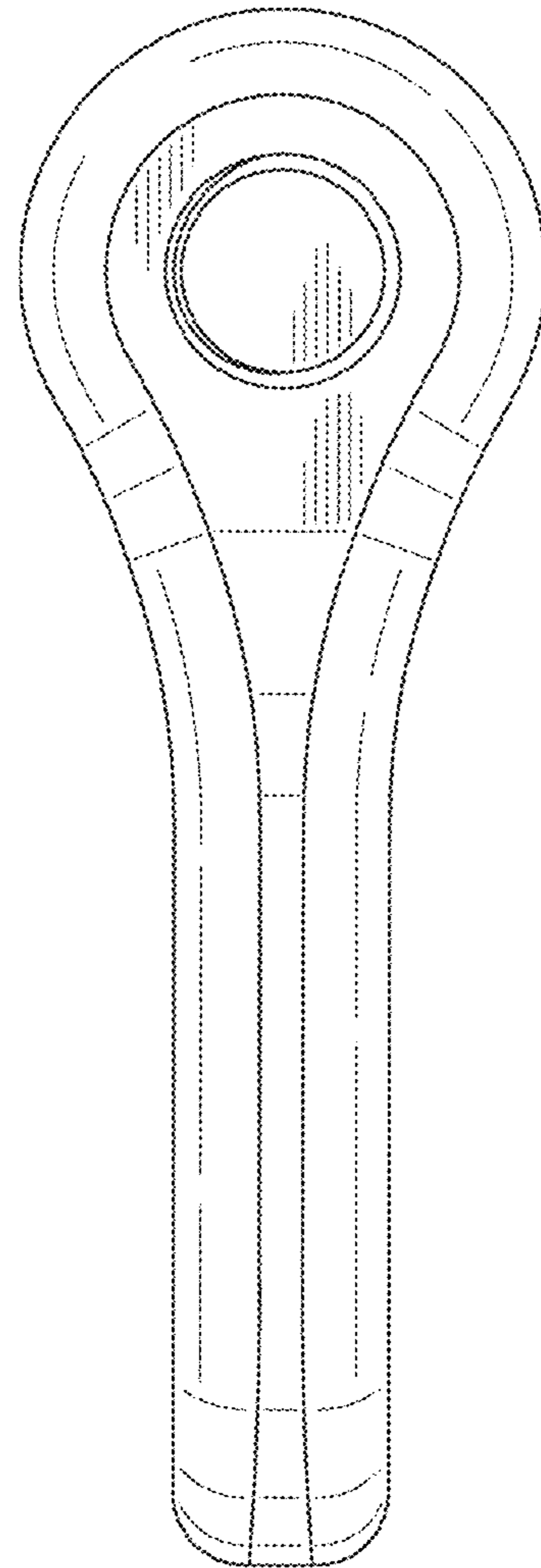


FIG. 6



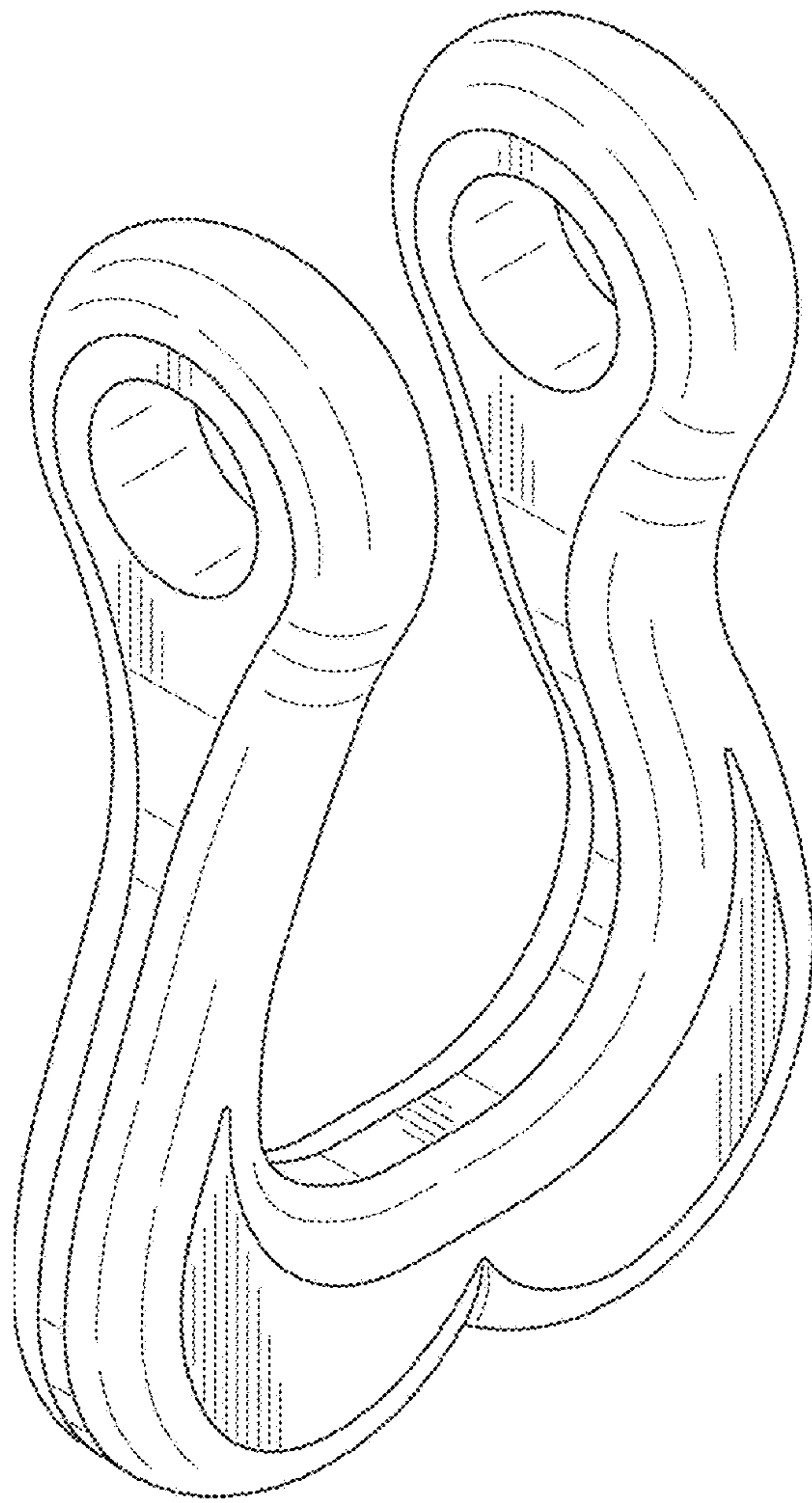


FIG. 7

FIG. 8

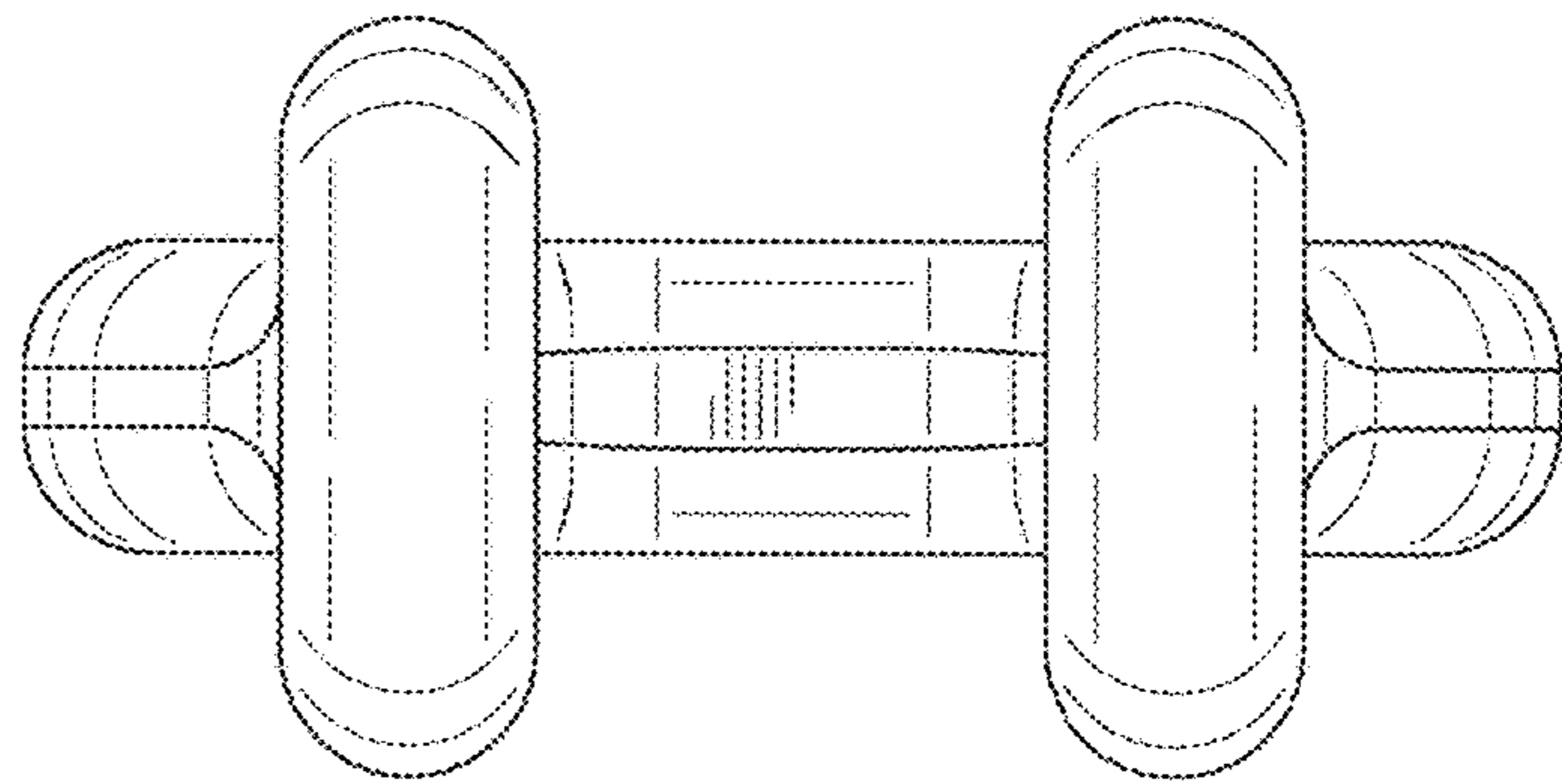
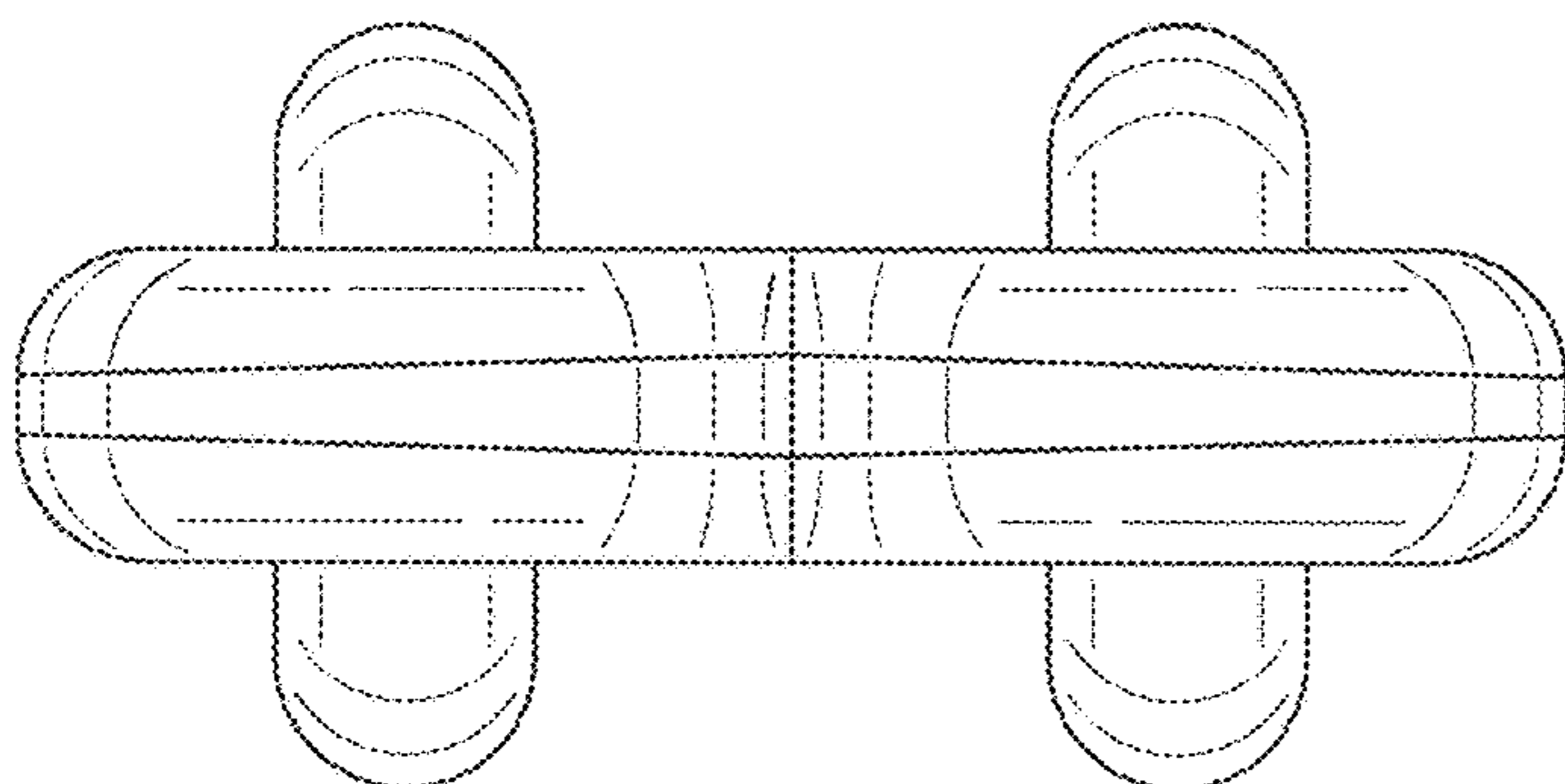


FIG. 9



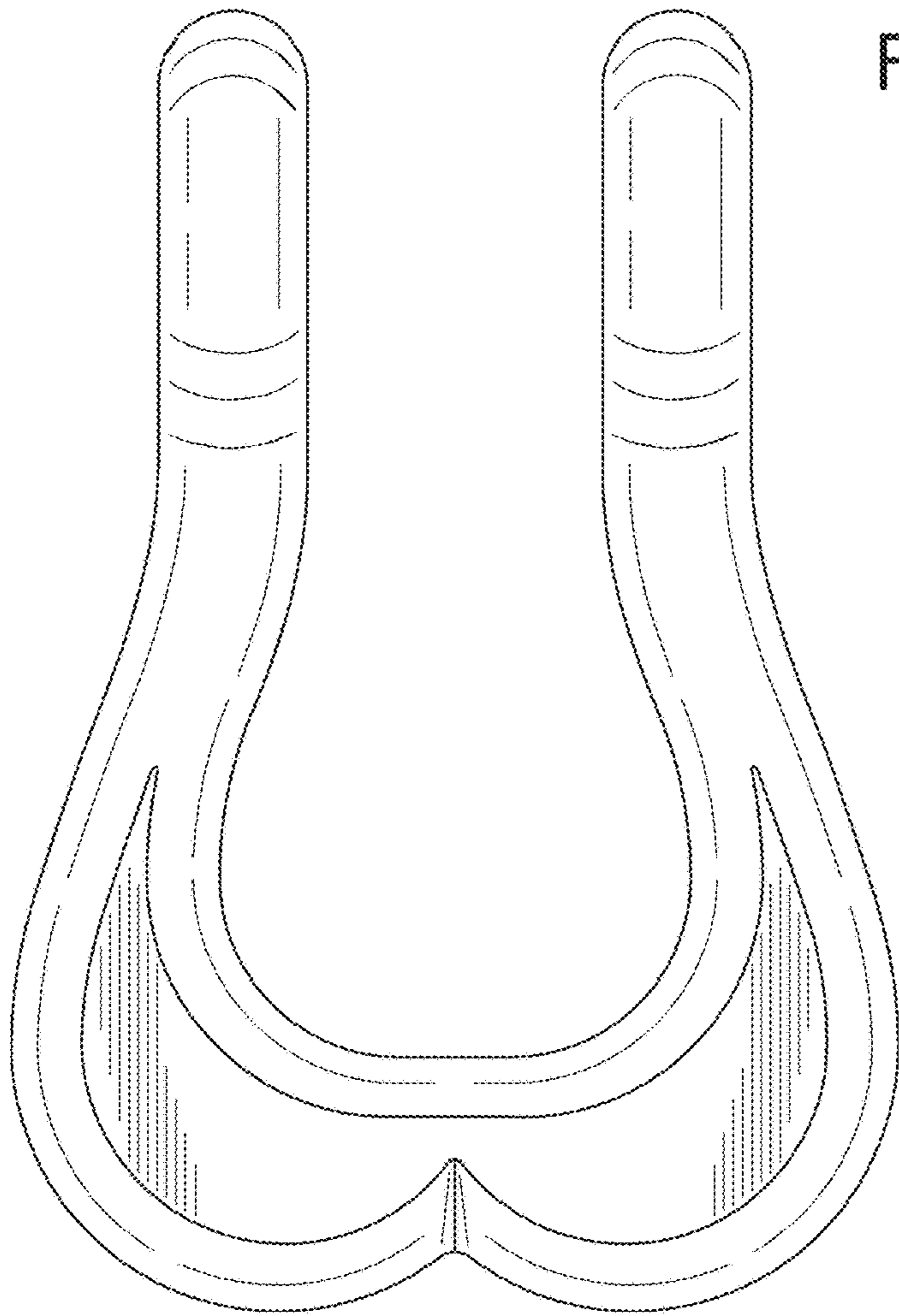


FIG. 10

FIG. 11

