



US00D986042S

(12) **United States Design Patent** (10) **Patent No.:** **US D986,042 S**  
**Sostar et al.** (45) **Date of Patent:** **\*\* May 16, 2023**

(54) **FASTENING DEVICE**  
(71) Applicant: **Välinge Innovation AB**, Viken (SE)  
(72) Inventors: **Marko Sostar**, Helsingborg (SE);  
**Emanuel Lidberg**, Malmö (SE);  
**Hannes Boman**, Helsingborg (SE)  
(73) Assignee: **VÄLINGE INNOVATION SWEDEN AB**, Viken (SE)  
(\*\*) Term: **15 Years**  
(21) Appl. No.: **35/512,832**  
(22) Filed: **Sep. 17, 2021**  
(80) **Hague Agreement Data**  
Int. Filing Date: **Jul. 2, 2021**  
Int. Reg. No.: **DM/216964**  
Int. Reg. Date: **Sep. 17, 2021**  
Int. Reg. Pub. Date: **Oct. 29, 2021**  
(51) **LOC (14) Cl.** ..... **08-08**  
(52) **U.S. Cl.**  
USPC ..... **D8/382**  
(58) **Field of Classification Search**  
USPC ..... D8/382, 300, 303, 306-308, 313, 315,  
D8/321, 61, 354, 373-374, 19, 376, 363,  
D8/393; D21/250-252, 254;  
D23/250-252, 254  
CPC ..... F16B 21/086; F16B 12/22; F16B 12/40;  
F16B 2200/10; F16B 12/14; F16B 21/09;  
F16B 21/06  
See application file for complete search history.

(56) **References Cited**  
U.S. PATENT DOCUMENTS  
D509,420 S \* 9/2005 Hauber ..... D8/300  
D509,421 S \* 9/2005 Gehry ..... D8/300  
D509,422 S \* 9/2005 Gehry ..... D8/300  
D513,164 S \* 12/2005 Hagan ..... D8/322

D515,906 S \* 2/2006 Strickland ..... D8/300  
D544,776 S \* 6/2007 Cybulski ..... D8/300  
D572,566 S \* 7/2008 Kahonen ..... D8/305  
D593,396 S \* 6/2009 Habib ..... D8/308  
D630,490 S \* 1/2011 Lundstrom ..... D8/300  
D630,491 S \* 1/2011 Lundstrom ..... D8/300  
D661,964 S \* 6/2012 Pangborn ..... D8/107  
D670,791 S \* 11/2012 Fievet ..... D23/245  
D705,638 S \* 5/2014 Aruga ..... B25G 1/04  
D803,025 S \* 11/2017 Larose ..... D8/303  
D811,206 S \* 2/2018 Palsgaard ..... D8/382  
D852,022 S \* 6/2019 Warmenhoven ..... D8/316  
D854,909 S \* 7/2019 Wells ..... D8/300  
D903,476 S \* 12/2020 Schwarzmann ..... D8/382  
D942,845 S \* 2/2022 Iacono ..... D8/382  
D950,368 S \* 5/2022 Wang ..... D8/382  
D957,580 S \* 7/2022 Lazarini ..... D23/252

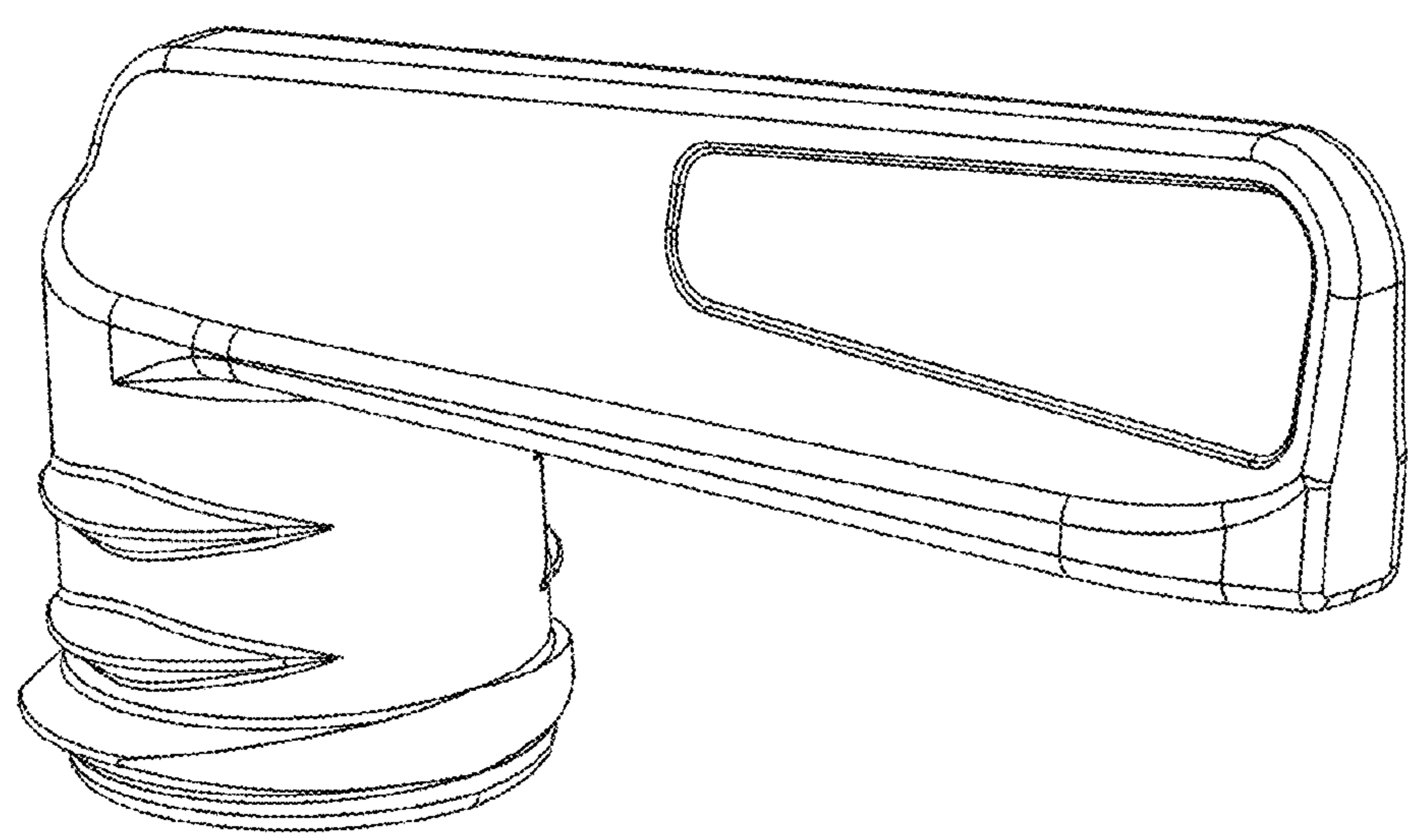
(Continued)

*Primary Examiner* — Karen S Acker  
*Assistant Examiner* — Elisabeth S Ko  
(74) *Attorney, Agent, or Firm* — Buchanan, Ingersoll & Rooney PC

(57) **CLAIM**  
The ornamental design for a fastening device, as shown and described.

**DESCRIPTION**  
1. Fastening device  
1.1 is a perspective view of a fastening device;  
1.2 is another perspective view of the fastening device;  
1.3 is another perspective view of the fastening device;  
1.4 is a rear view of the fastening device;  
1.5 is a front view of the fastening device;  
1.6 is a top view of the fastening device;  
1.7 is a bottom view of the fastening device; and  
1.8 is a side view of the fastening device.  
The dot-dash-dot broken line depicts boundaries of the claim and forms no part thereof.  
The evenly spaced broken line depicts a feature of the fastening device that forms no part of the claimed design.

**1 Claim, 8 Drawing Sheets**



(56)

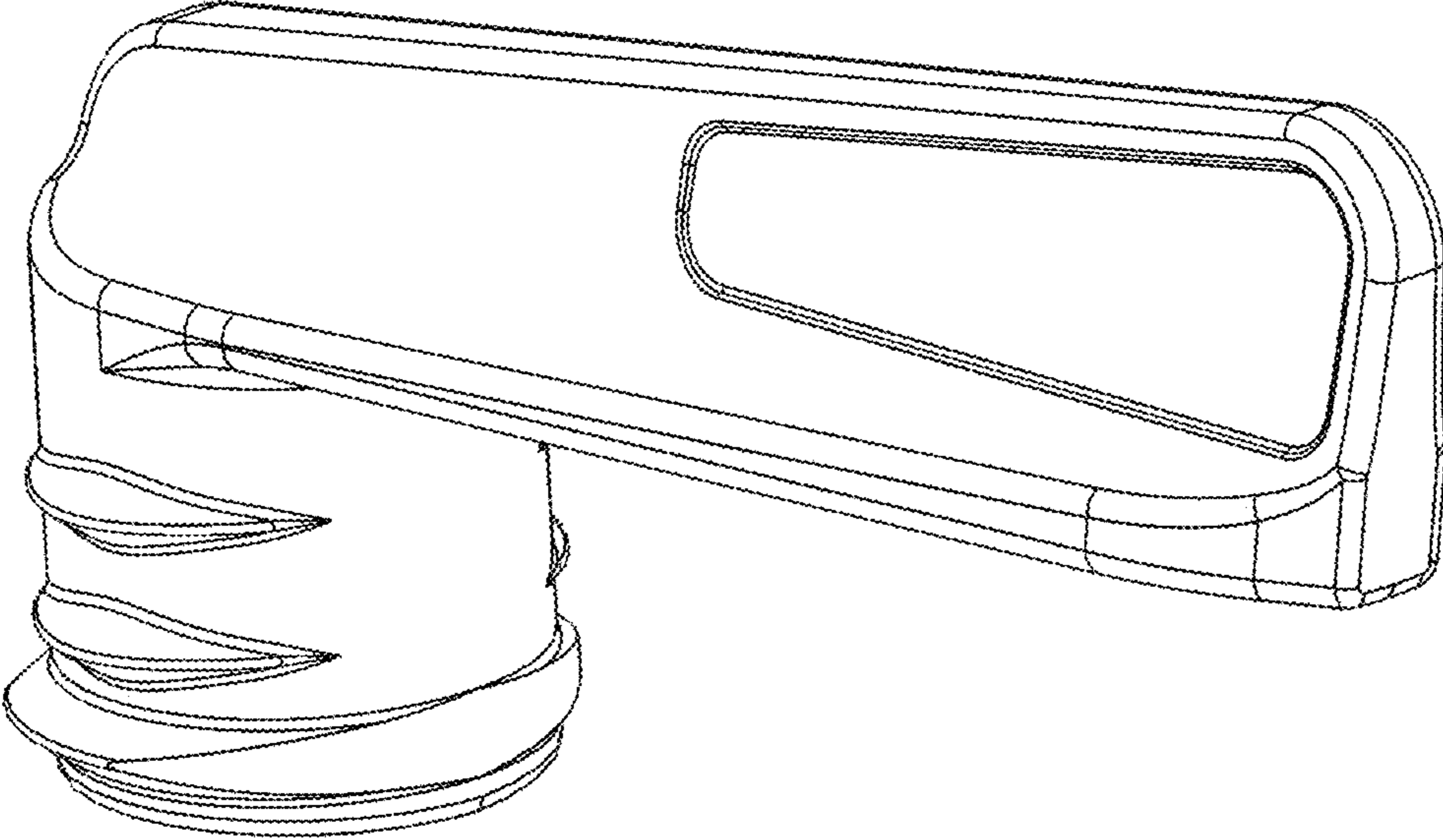
**References Cited**

U.S. PATENT DOCUMENTS

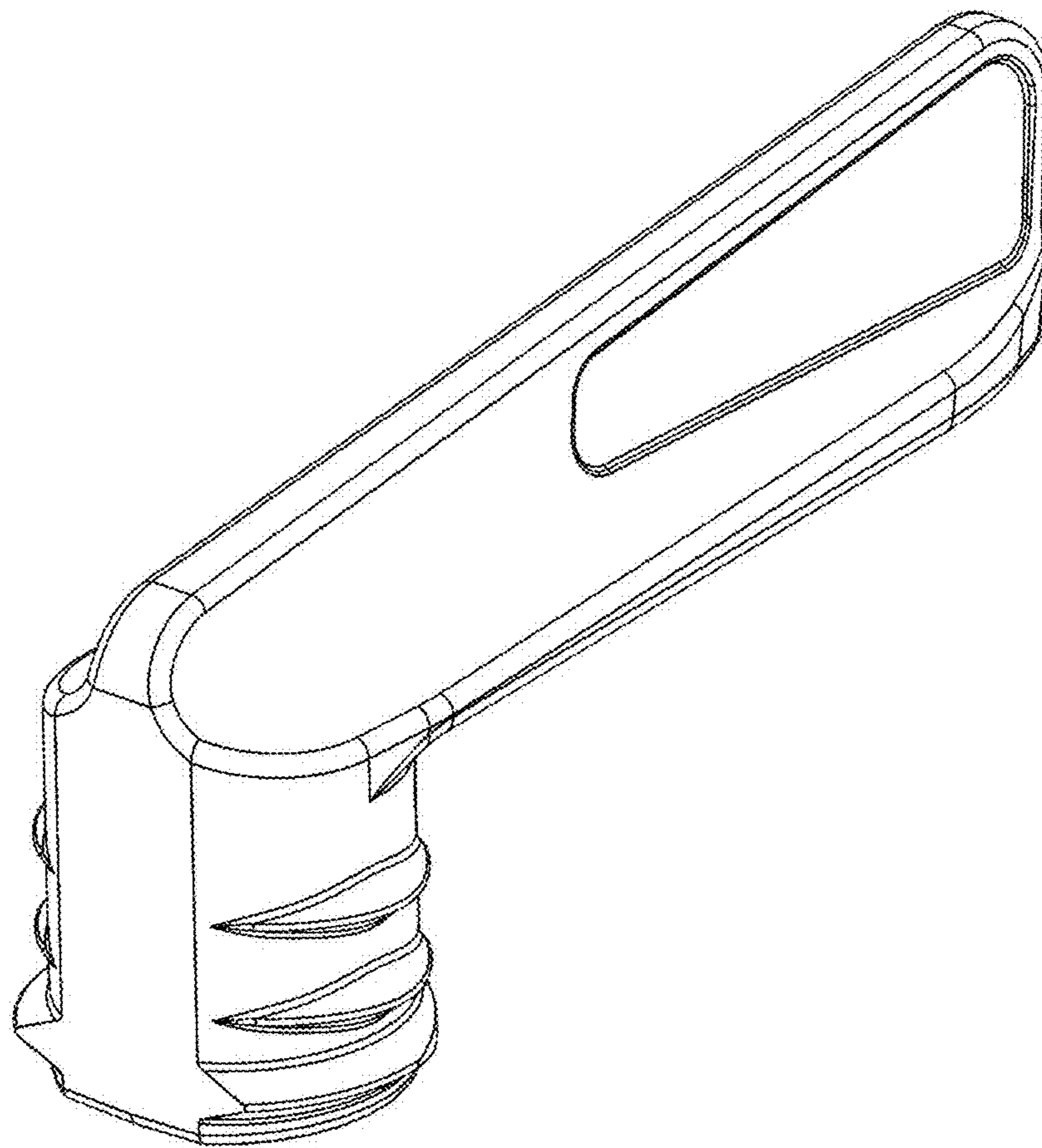
D957,581 S *	7/2022	Elser .....	D23/252
D957,582 S *	7/2022	Upadhyaya .....	D23/252
D957,583 S *	7/2022	Elser .....	D23/252
D957,584 S *	7/2022	Garland .....	D23/252
D957,585 S *	7/2022	Garland .....	D23/252
D957,586 S *	7/2022	Upadhyaya .....	D23/252
D959,252 S *	8/2022	Lawson .....	D8/382
2022/0252097 A1 *	8/2022	Rydsjö .....	A47B 91/00

\* cited by examiner

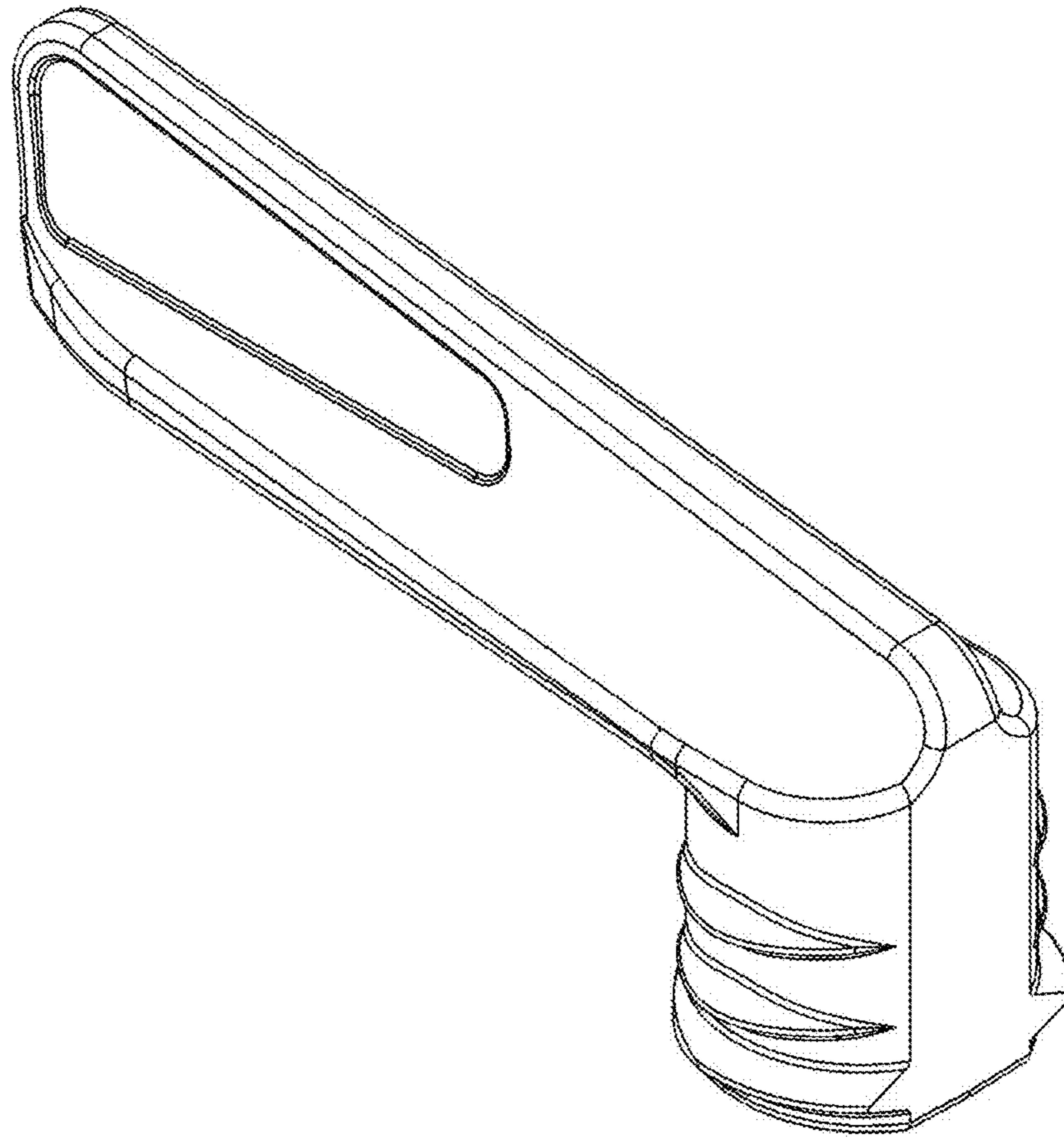
1.1



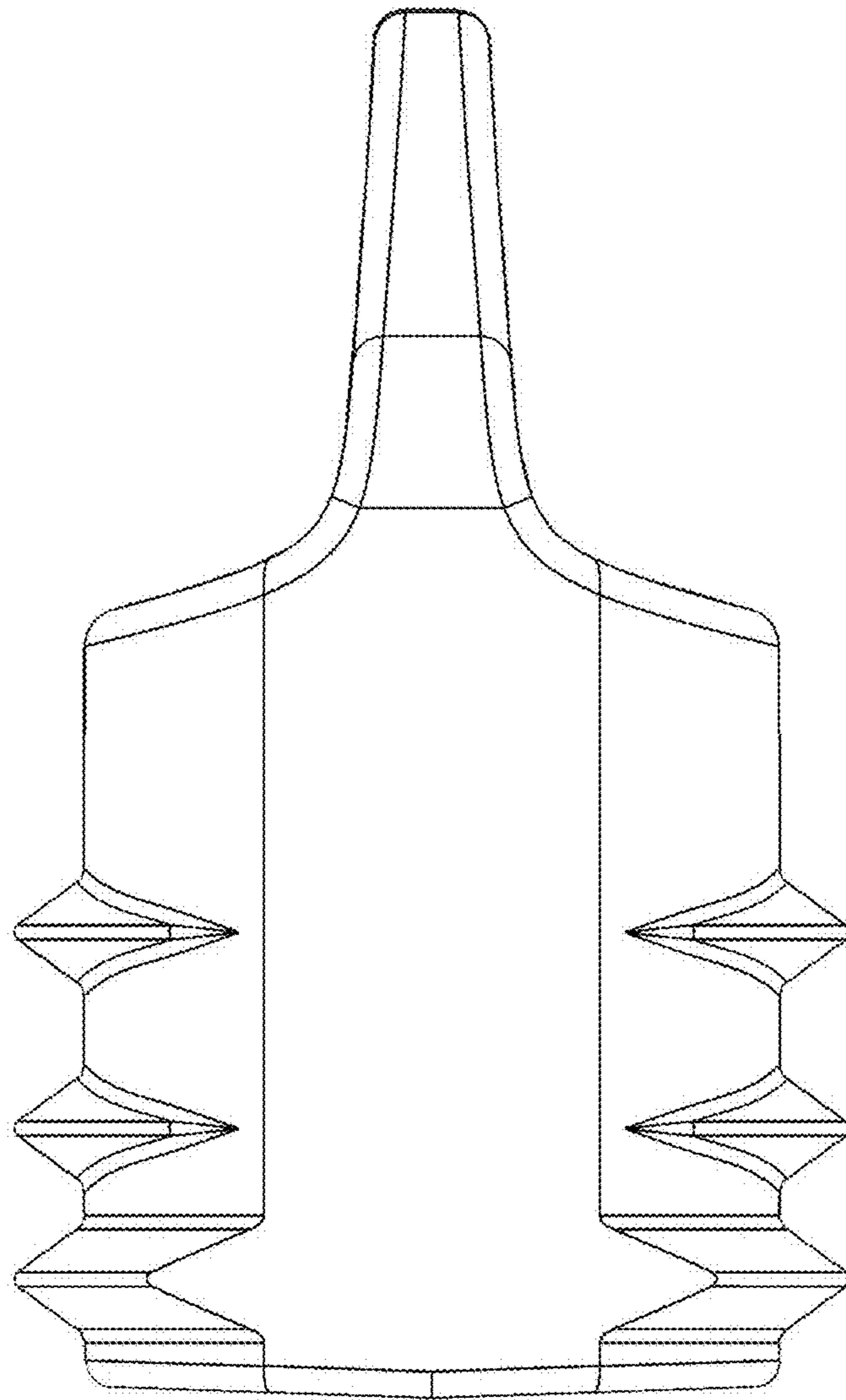
1.2



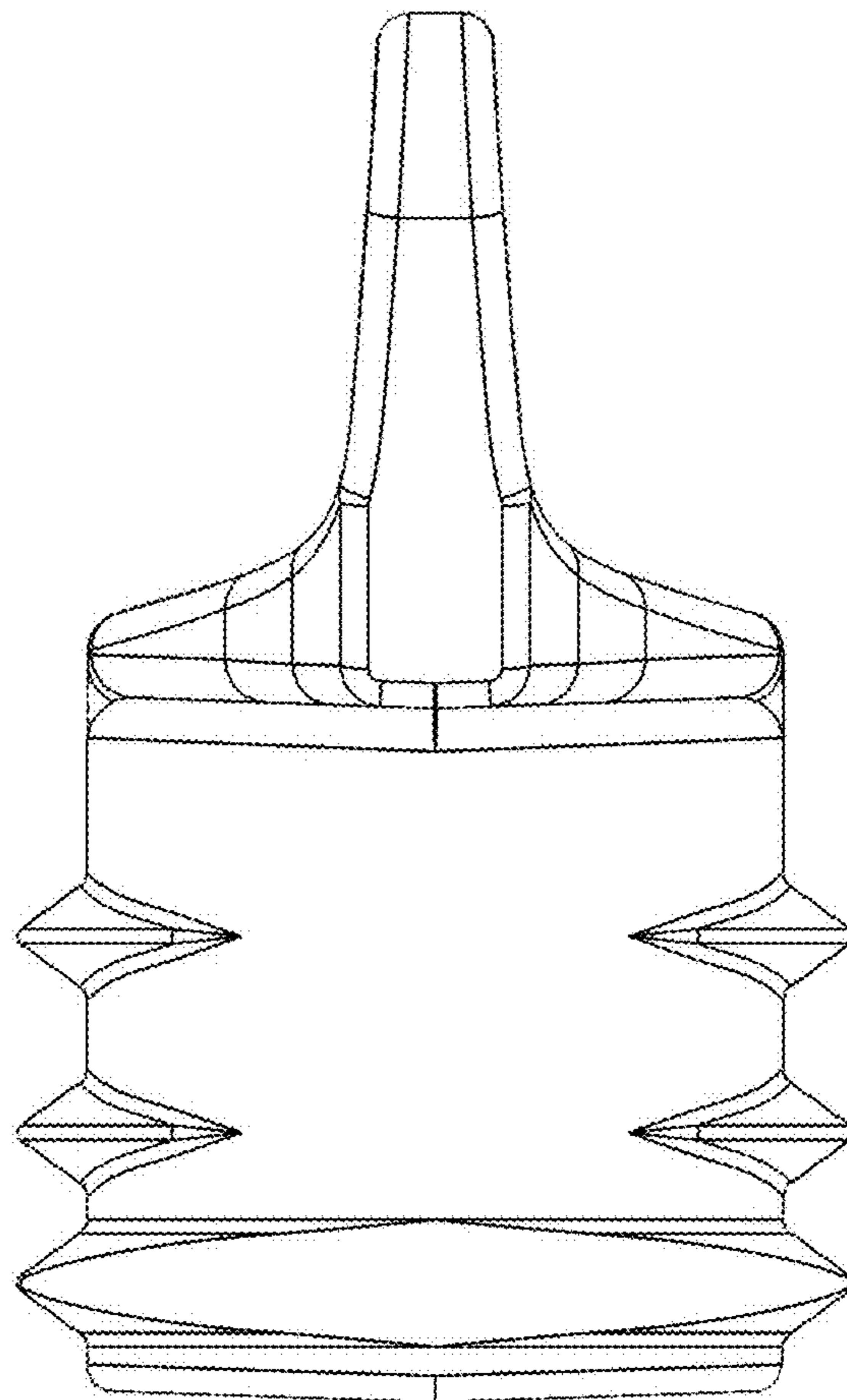
1.3



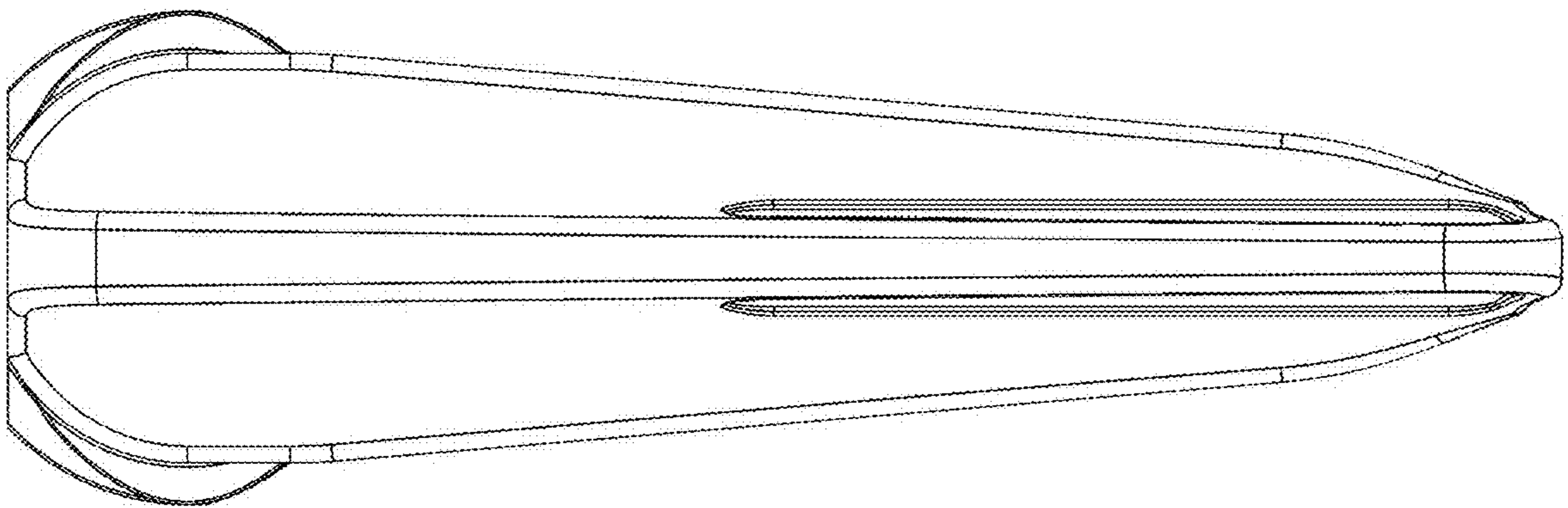
1.4



1.5

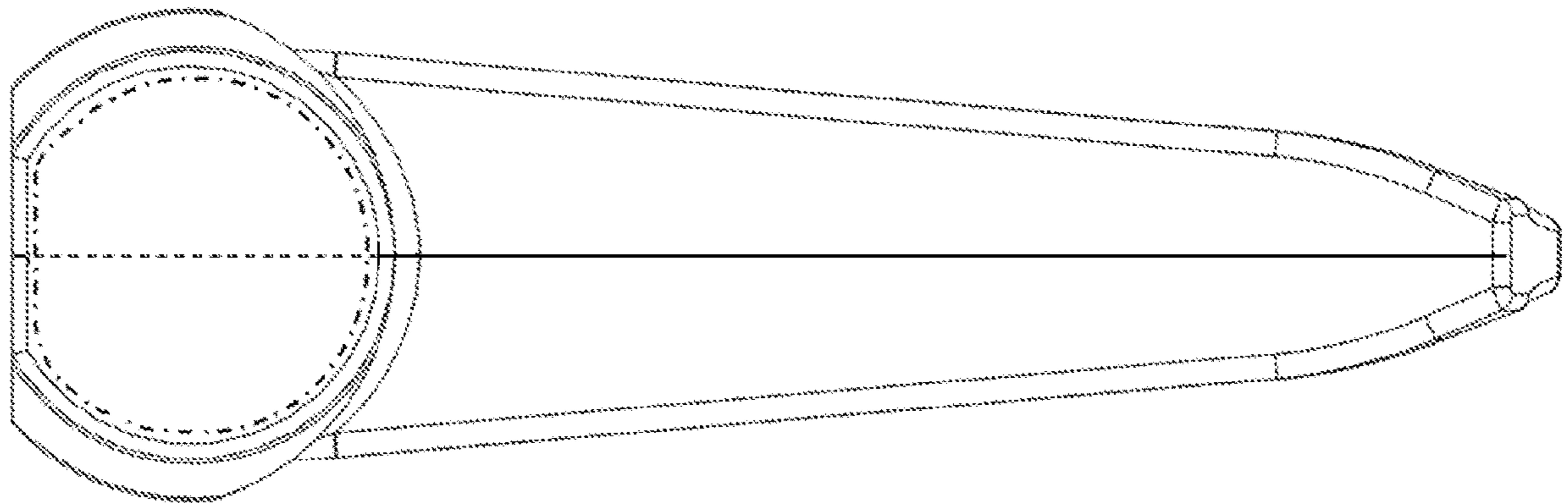


1.6





1.7



1.8

