



US00D986041S

(12) **United States Design Patent** (10) **Patent No.:** **US D986,041 S**  
**Monroe** (45) **Date of Patent:** **\*\* May 16, 2023**

(54) **BALL LOCK PINOFF**  
(71) Applicant: **Diversified Metal Fabricators, Inc.**,  
Atlanta, GA (US)  
(72) Inventor: **Timothy Alwin Monroe**, Atlanta, GA  
(US)  
(73) Assignee: **DIVERSIFIED METAL  
FABRICATORS, INC.**, Atlanta, GA  
(US)  
(\*\*) Term: **15 Years**  
(21) Appl. No.: **29/703,916**  
(22) Filed: **Aug. 30, 2019**  
(51) **LOC (14) Cl.** ..... **12-16**  
(52) **U.S. Cl.**  
USPC ..... **D12/160**  
(58) **Field of Classification Search**  
USPC .... D12/42, 43, 45, 47, 48, 49, 51, 159, 160,  
D12/161, 162, 223, 400; D8/349, 354,  
D8/382  
CPC .. B60F 1/043; B60F 2301/10; B60F 2301/00;  
B61B 15/00; B61C 11/005; B61F 3/125  
See application file for complete search history.

D942,845 S \* 2/2022 Iacono ..... D8/382  
2015/0117942 A1\* 4/2015 Carvalho ..... F16D 1/076  
403/337  
2018/0118236 A1\* 5/2018 Aube ..... B60F 1/005  
2019/0329615 A1\* 10/2019 McMahon ..... B60W 40/13  
2021/0061035 A1\* 3/2021 Monroe ..... B61C 11/005  
2021/0086574 A1\* 3/2021 Monroe ..... B60F 1/043

**FOREIGN PATENT DOCUMENTS**

CN 301104286 \* 1/2010  
CN 302599087 \* 10/2013  
CN 307337170 \* 5/2022  
KR 300474627.0000 \* 1/2008  
KR 301081068.0000 \* 11/2020

\* cited by examiner

*Primary Examiner* — Sheryl Lane

*Assistant Examiner* — Ieisha N Price

(74) *Attorney, Agent, or Firm* — Thomas|Horstemeyer,  
LLP

(57) **CLAIM**

The ornamental design for a ball lock pinoff, as shown and described.

**DESCRIPTION**

FIG. 1 is a front perspective view of a ball lock pinoff, showing my new design, the rear perspective view being a mirror image thereof;

FIG. 2 is a front view thereof;

FIG. 3 is a rear view thereof;

FIG. 4 is a right side view thereof;

FIG. 5 is a left side view thereof, opposite that of FIG. 4;

FIG. 6 is a top view thereof; and,

FIG. 7 is a bottom view thereof.

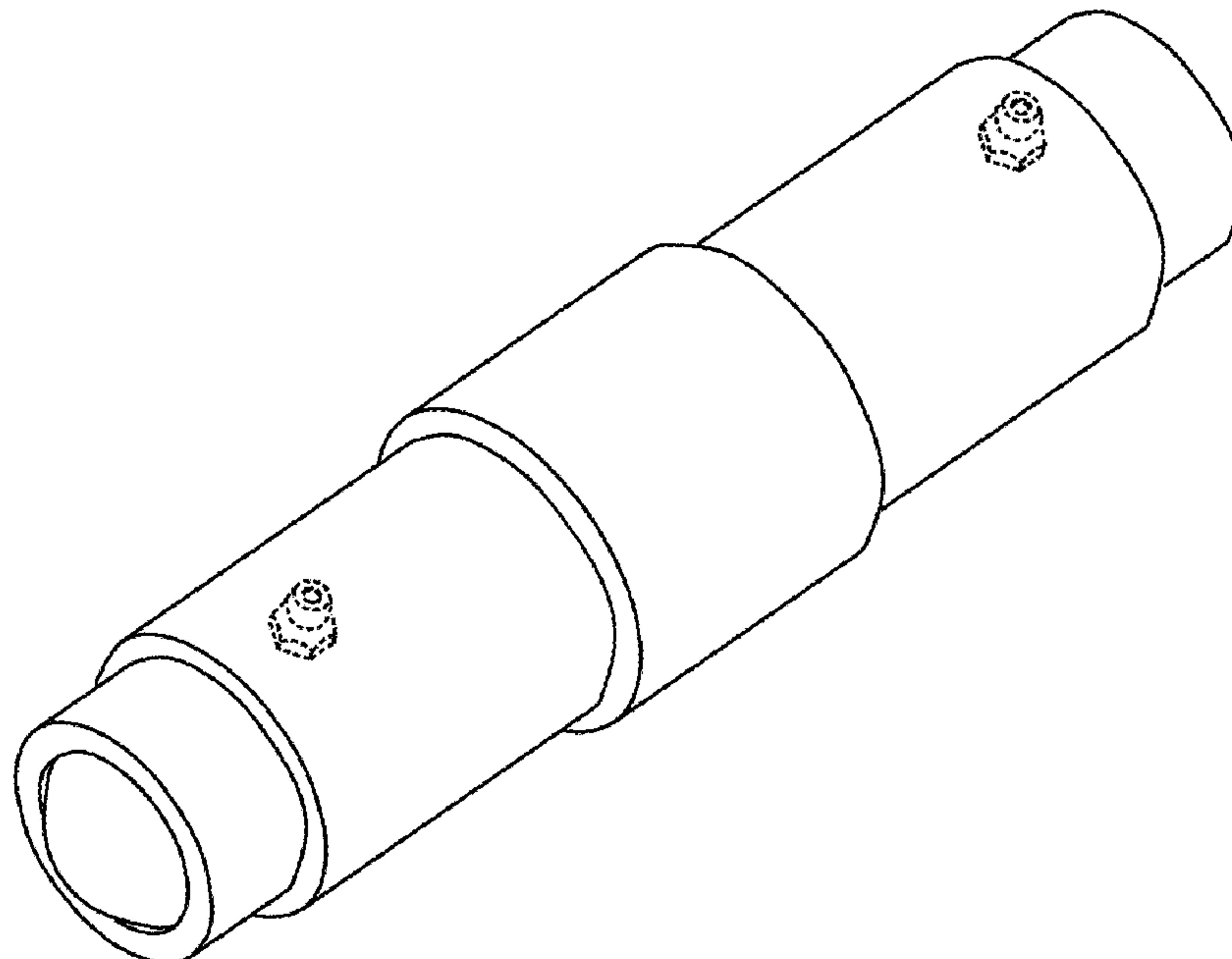
The broken lines in the drawings illustrate portions of the ball lock pinoff and form no part of the claimed design.

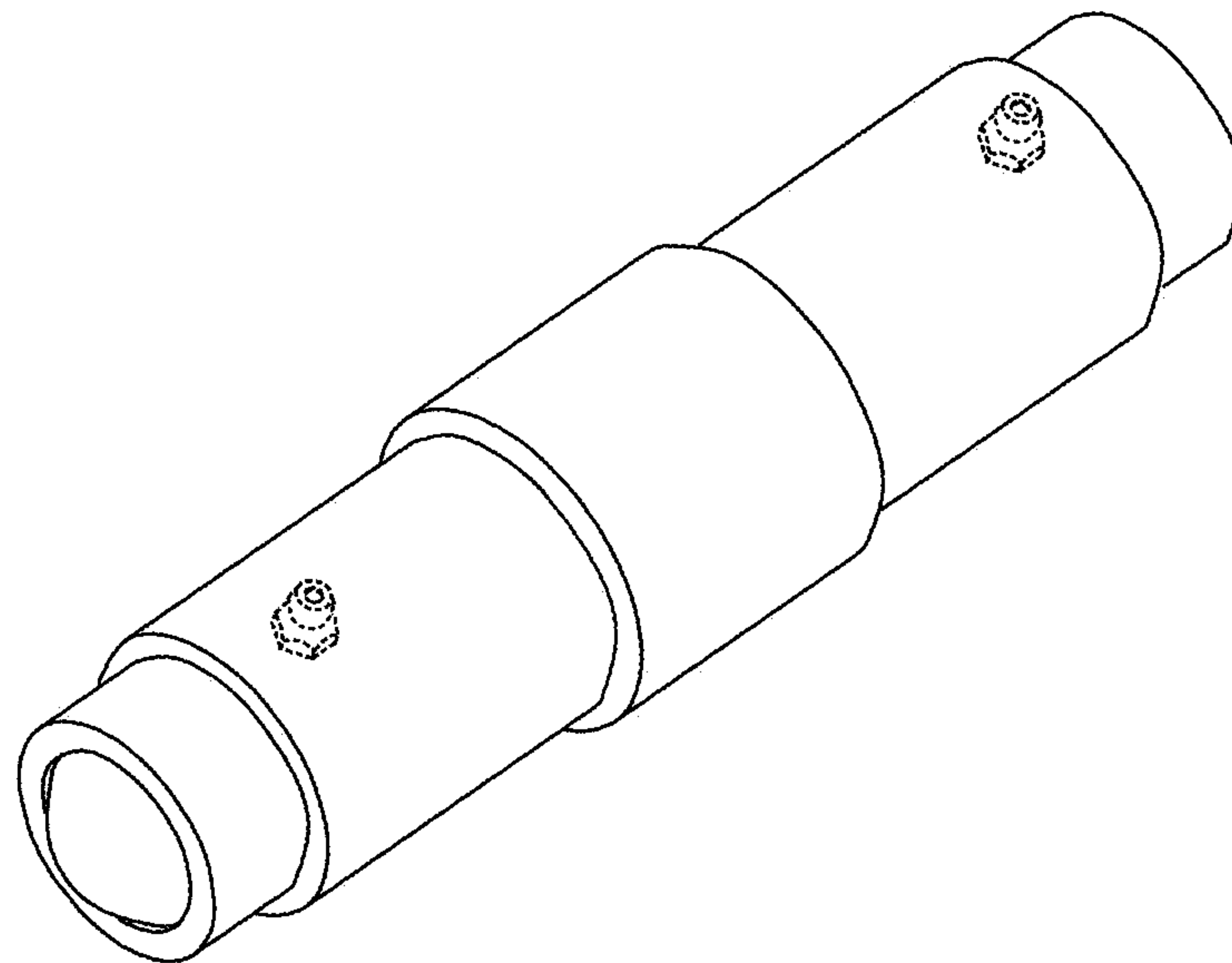
**1 Claim, 2 Drawing Sheets**

(56) **References Cited**

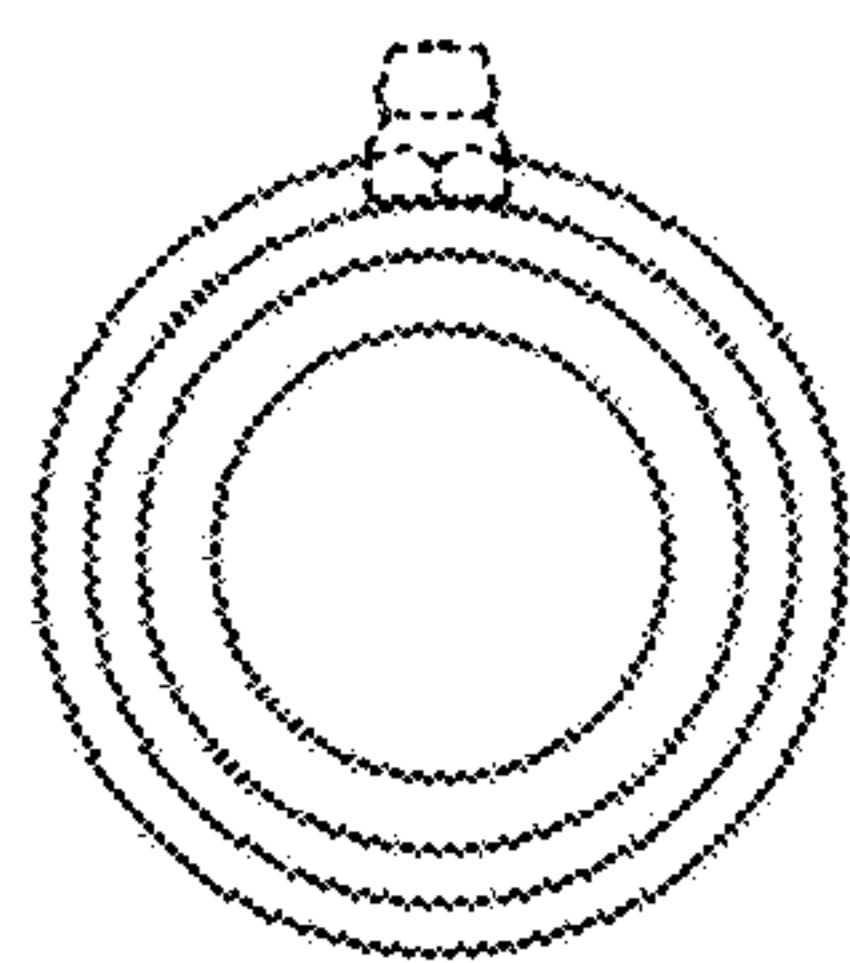
**U.S. PATENT DOCUMENTS**

5,772,551 A \* 6/1998 Mabie ..... F16G 11/08  
403/294  
D431,001 S \* 9/2000 Sonntag ..... D8/382  
9,089,901 B2 \* 7/2015 White ..... B23B 31/1071  
D766,708 S \* 9/2016 Summers ..... F16B 19/02  
D8/382  
D807,158 S \* 1/2018 Wu ..... D8/382  
D932,859 S \* 10/2021 Monroe ..... D8/70

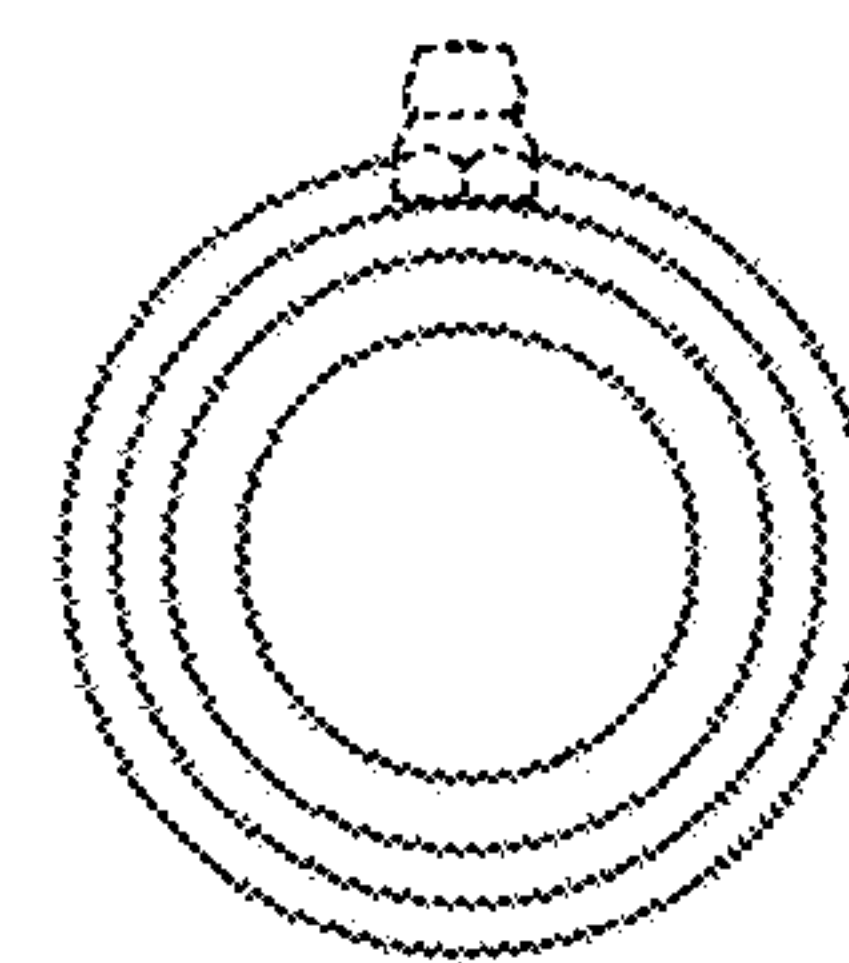




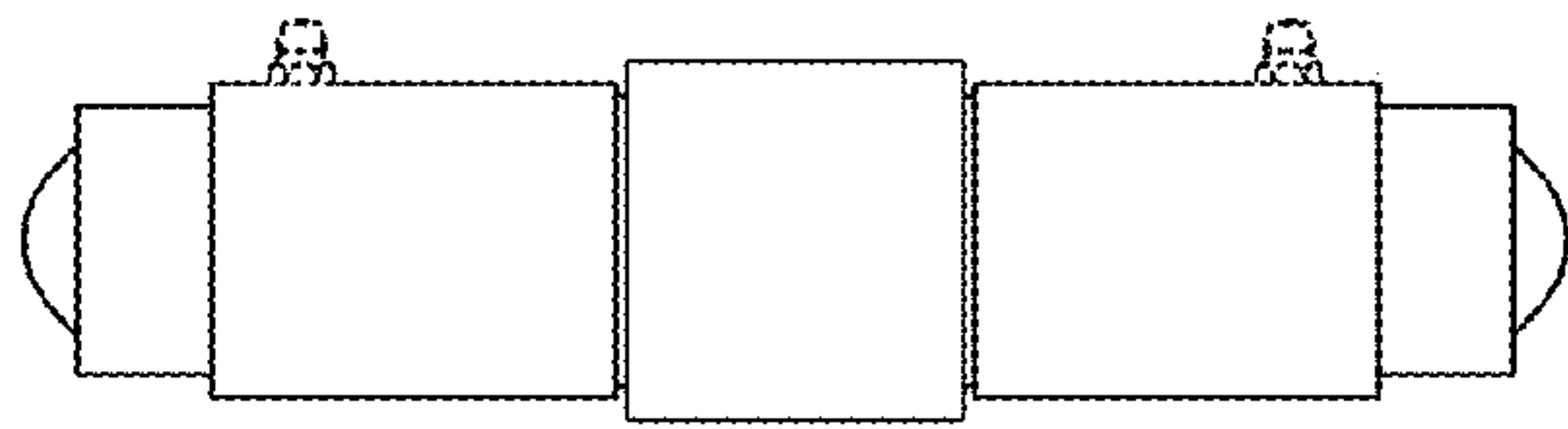
**FIG. 1**



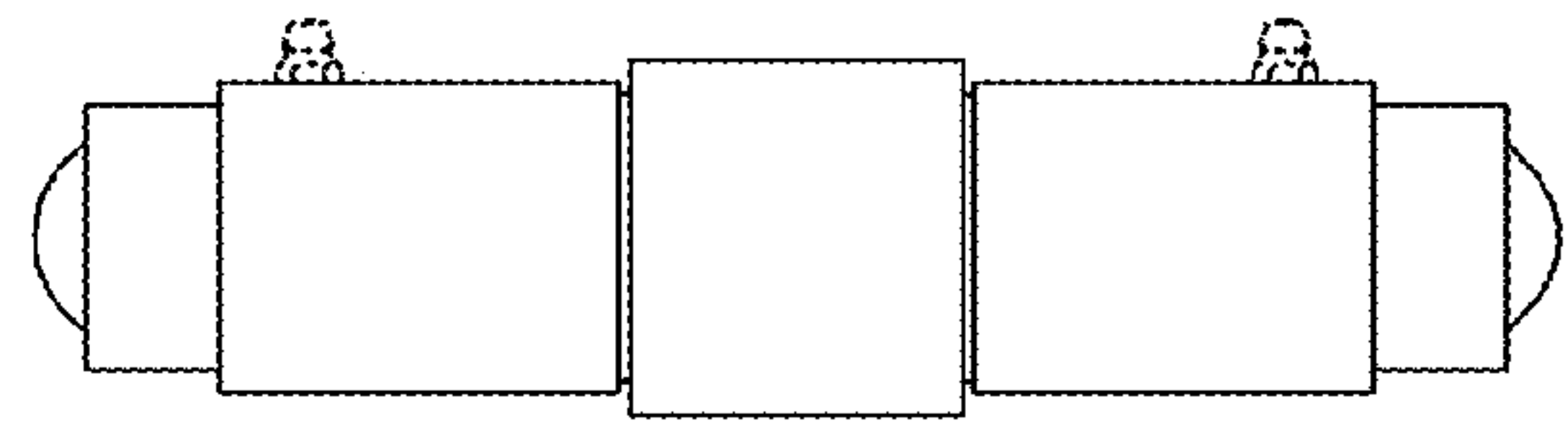
**FIG. 2**



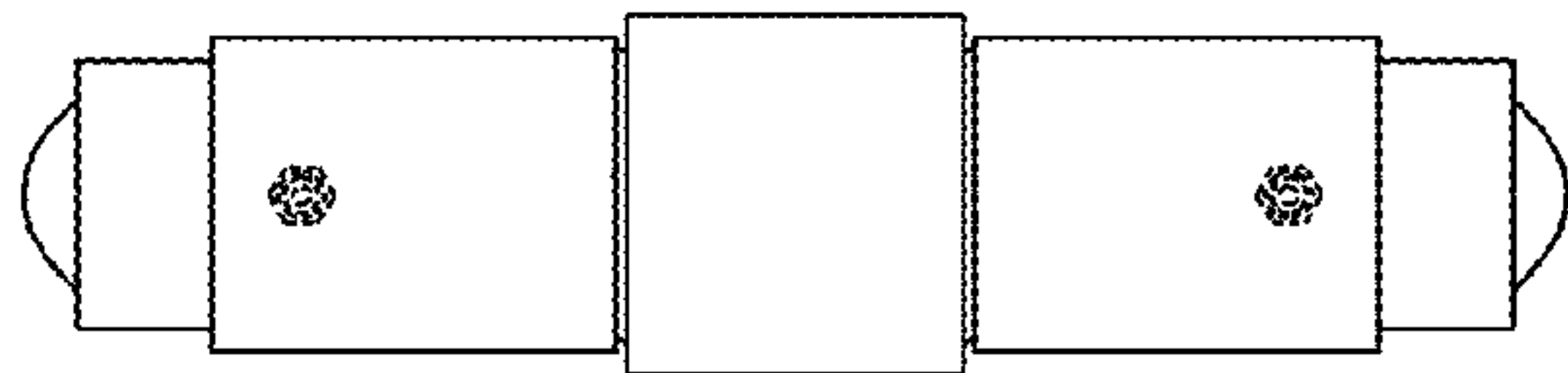
**FIG. 3**



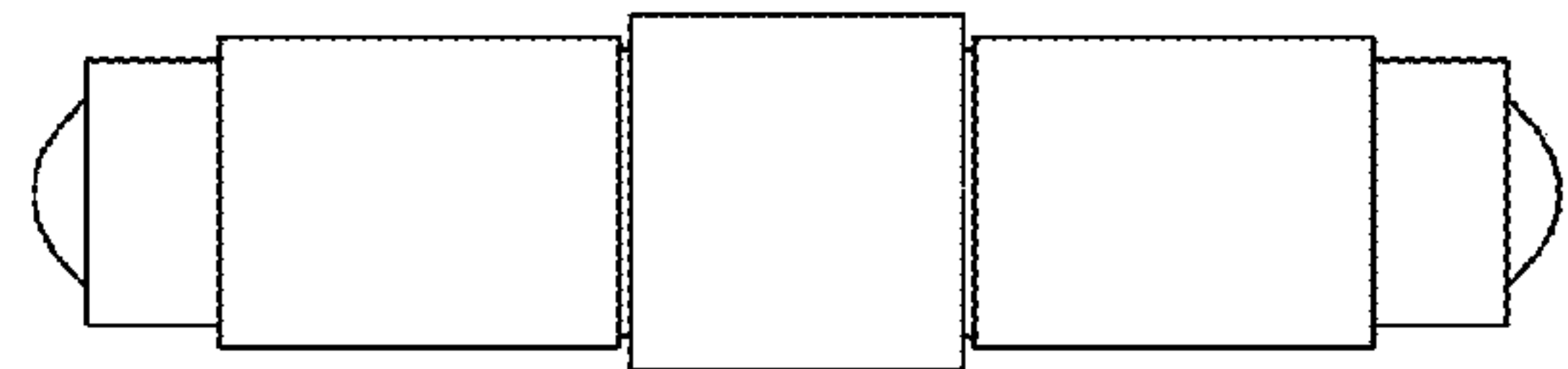
**FIG. 4**



**FIG. 5**



**FIG. 6**



**FIG. 7**