



US00D986040S

(12) **United States Design Patent** (10) **Patent No.:** **US D986,040 S**
Weitsman et al. (45) **Date of Patent:** **** May 16, 2023**

(54) **MARKING APPARATUS**

(71) Applicant: **CW Consulting Associates, LLC**,
Saratoga, CA (US)

(72) Inventors: **Kevin L. Weitsman**, Saratoga, CA
(US); **Ronald L. Johnson**, San Jose,
CA (US); **Yugen Patrick Lockhart**,
Palo Alto, CA (US)

(73) Assignee: **CW Consulting Associates, LLC**,
Saratoga, CA (US)

(**) Term: **15 Years**

(21) Appl. No.: **29/860,525**

(22) Filed: **Nov. 20, 2022**

Related U.S. Application Data

(63) Continuation of application No. 29/842,628, filed on
Jun. 14, 2022, now Pat. No. Des. 971,012, which is a
continuation of application No. 17/589,870, filed on
Jan. 31, 2022, now Pat. No. 11,399,642, which is a
continuation of application No. 17/425,938, filed as
application No. PCT/US2020/015469 on Jan. 28,
2020, now Pat. No. 11,291,317.

(51) **LOC (14) Cl.** **08-05**

(52) **U.S. Cl.**

USPC **D8/380**

CPC **A47G 1/205** (2013.01); **B25H 7/045**

(2013.01); **B25H 7/04** (2013.01); **B43K 23/001**

(2013.01); **B43K 23/016** (2013.01); **F16B**

19/109 (2013.01); **F16B 21/09** (2013.01);

F16M 11/041 (2013.01); **F16M 13/00**

(2013.01); **F16M 13/02** (2013.01)

(58) **Field of Classification Search**

USPC **D8/380, 381**

CPC **A47G 1/205; B25H 7/045; B25H 7/04;**

B43K 23/001; B43K 23/016; F16B

19/109; F16B 21/09; F16M 11/041;

F16M 13/00; F16M 13/02

See application file for complete search history.

(56) **References Cited**

U.S. PATENT DOCUMENTS

2,343,499 A 3/1944 Edwards
4,202,108 A 5/1980 Adams, Jr. et al.
4,382,337 A 5/1983 Bendick
4,392,425 A 7/1983 Capezzuto et al.
4,466,193 A 8/1984 Astle
4,512,084 A 4/1985 Lieberman

(Continued)

FOREIGN PATENT DOCUMENTS

WO 2017053636 A1 3/2017

OTHER PUBLICATIONS

Oct. 24, 2014 Internet Archive screen capture of Home Depot web
page for 20 lb. Large Keyhole Hangers, Model #60236.

(Continued)

Primary Examiner — Antoine Duval Davis

(74) *Attorney, Agent, or Firm* — Lance M. Pritikin

(57) **CLAIM**

The ornamental design for a marking apparatus, as shown
and described.

DESCRIPTION

FIG. 1 is a front perspective view of a marking apparatus,
showing our new design;

FIG. 2 is a front elevational view thereof, the rear elevational
view being a mirror image thereof;

FIG. 3 is a left side elevational view thereof, the right side
elevational view being a mirror image thereof;

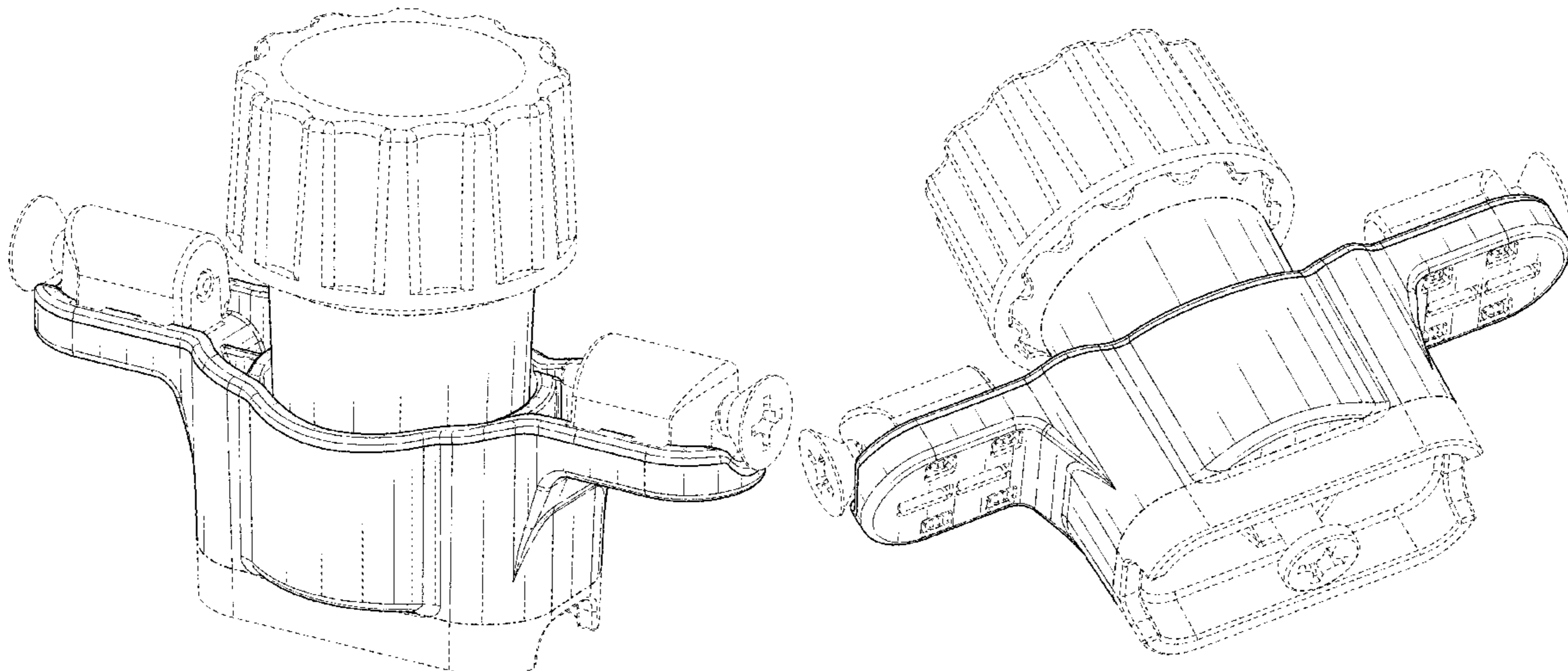
FIG. 4 is a top plan view thereof;

FIG. 5 is a bottom plan view thereof; and,

FIG. 6 is a bottom perspective view thereof.

The broken lines in FIGS. 1-6 are for the purpose of
illustrating portions of the marking apparatus that form no
part of the claimed design.

1 Claim, 4 Drawing Sheets



(56)

References Cited

U.S. PATENT DOCUMENTS

4,794,857	A	1/1989	Waters, Sr.
4,837,942	A	6/1989	Watts
5,477,620	A	12/1995	Barnett
5,927,919	A	7/1999	Blankenship et al.
6,360,661	B1	3/2002	Cheung
6,574,880	B2	6/2003	Lombardo
6,848,192	B2	2/2005	Partin
6,908,270	B1	6/2005	Iwata
6,952,887	B2	10/2005	Muchnik
6,971,184	B2	12/2005	Prevost
6,978,551	B2	12/2005	Krake et al.
6,983,691	B2	1/2006	Shih
7,032,872	B2	4/2006	Sullivan
7,185,442	B2	3/2007	Grillo
7,293,925	B1	11/2007	Sanseviero
7,350,312	B1	4/2008	Grillo
7,497,028	B2	3/2009	Nevers et al.
8,458,979	B2	6/2013	Ebner et al.
9,555,540	B1	1/2017	Weitsman
2002/0083612	A1	7/2002	Prather
2004/0098875	A1	5/2004	Gould

2006/0075650	A1	4/2006	Tatum
2007/0119068	A1	5/2007	Horst
2007/0283588	A1	12/2007	Gardner et al.
2008/0315063	A1	12/2008	Gallien
2009/0193674	A1	8/2009	Megahed
2011/0174953	A1	7/2011	Ruiz et al.
2015/0034794	A1	2/2015	Durante
2015/0144756	A1	5/2015	Miller
2017/0008161	A1*	1/2017	Weitsman B25H 7/045
2017/0273479	A1	9/2017	Snyder
2017/0303709	A1	10/2017	Ulloa et al.
2018/0370017	A1*	12/2018	Weitsman F16M 13/02
2019/0070877	A1	3/2019	Flores
2022/0039567	A1*	2/2022	Weitsman A47G 1/205

OTHER PUBLICATIONS

Mar. 12, 2015 Internet Archive screen capture of Parts Express web page for Keyhole Speaker Hanging Kit, Hangman Model KSH4-B.
 Sep. 2, 2013 Internet Archive screen capture of E-VisionUK Hotel Solutions web page for Keyhole Brackets.

* cited by examiner

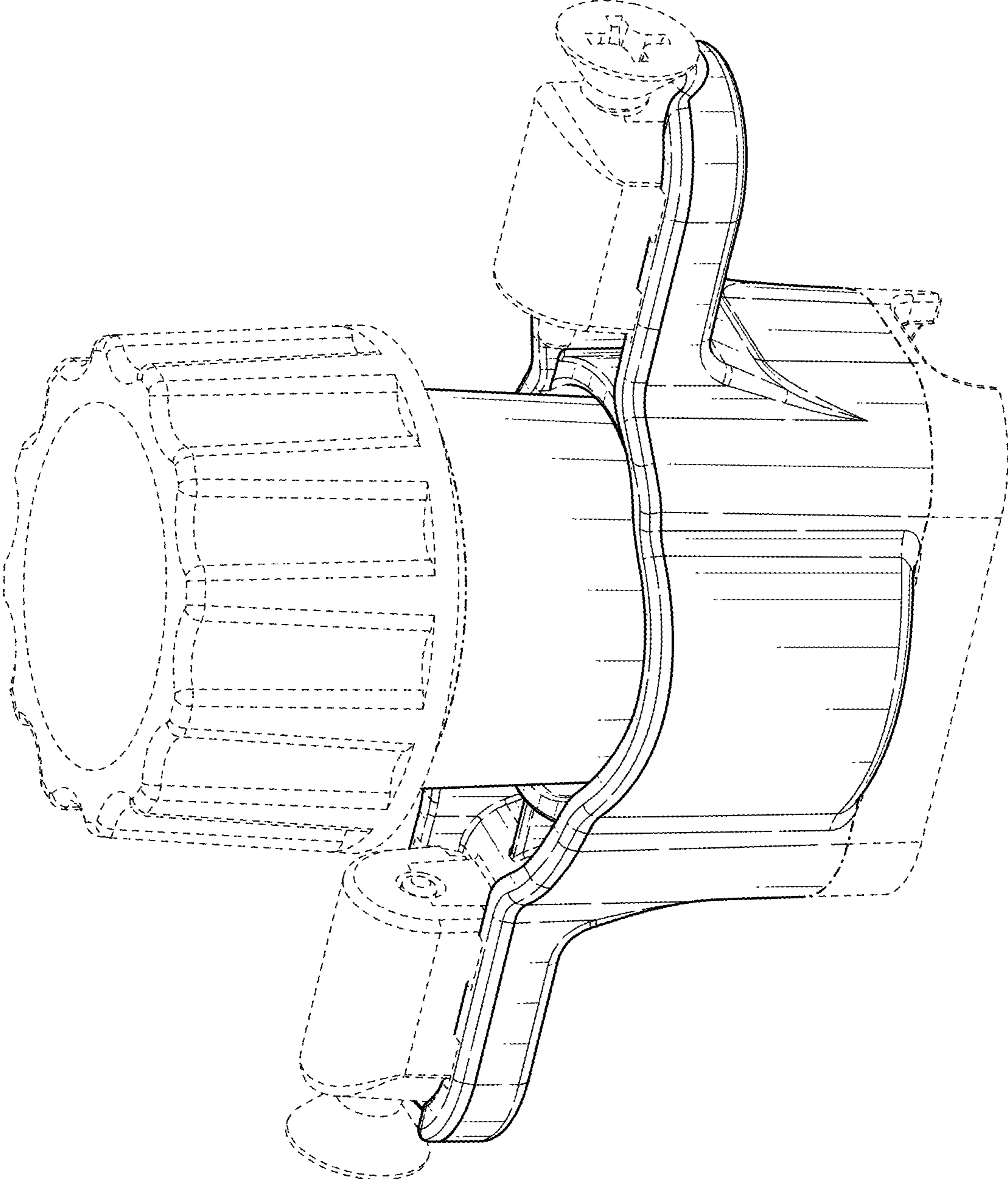


FIG. 1

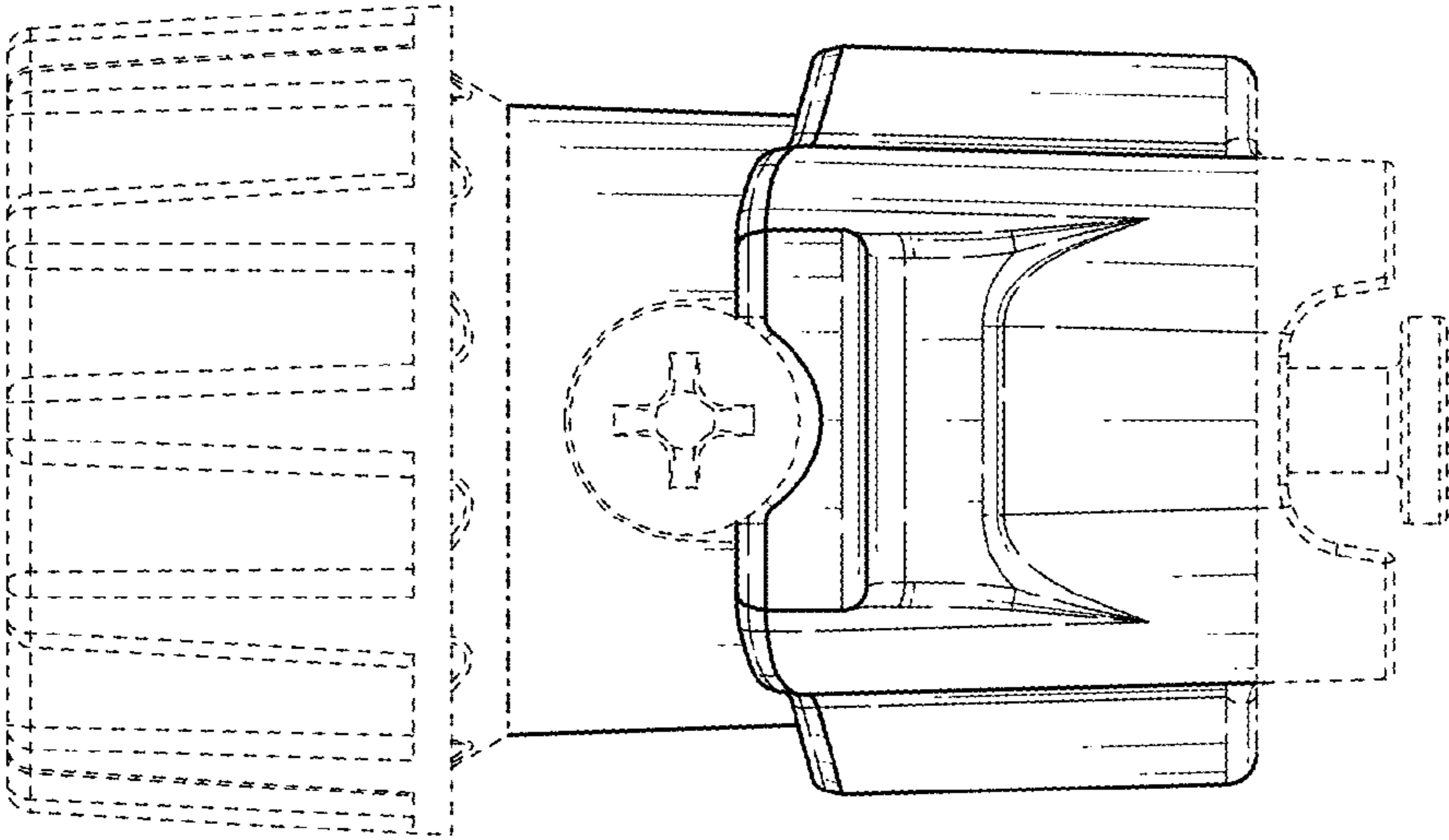


FIG. 3

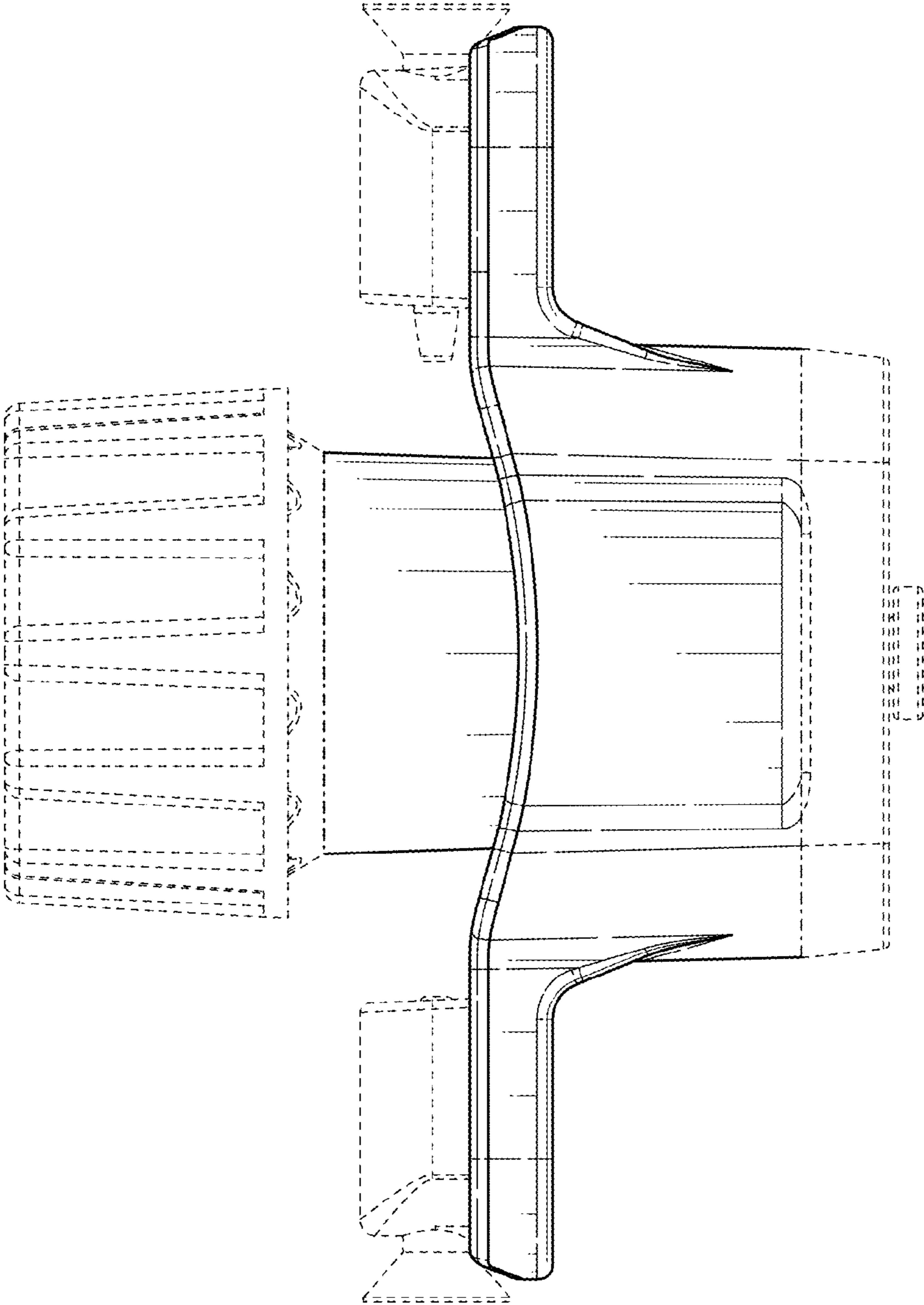


FIG. 2

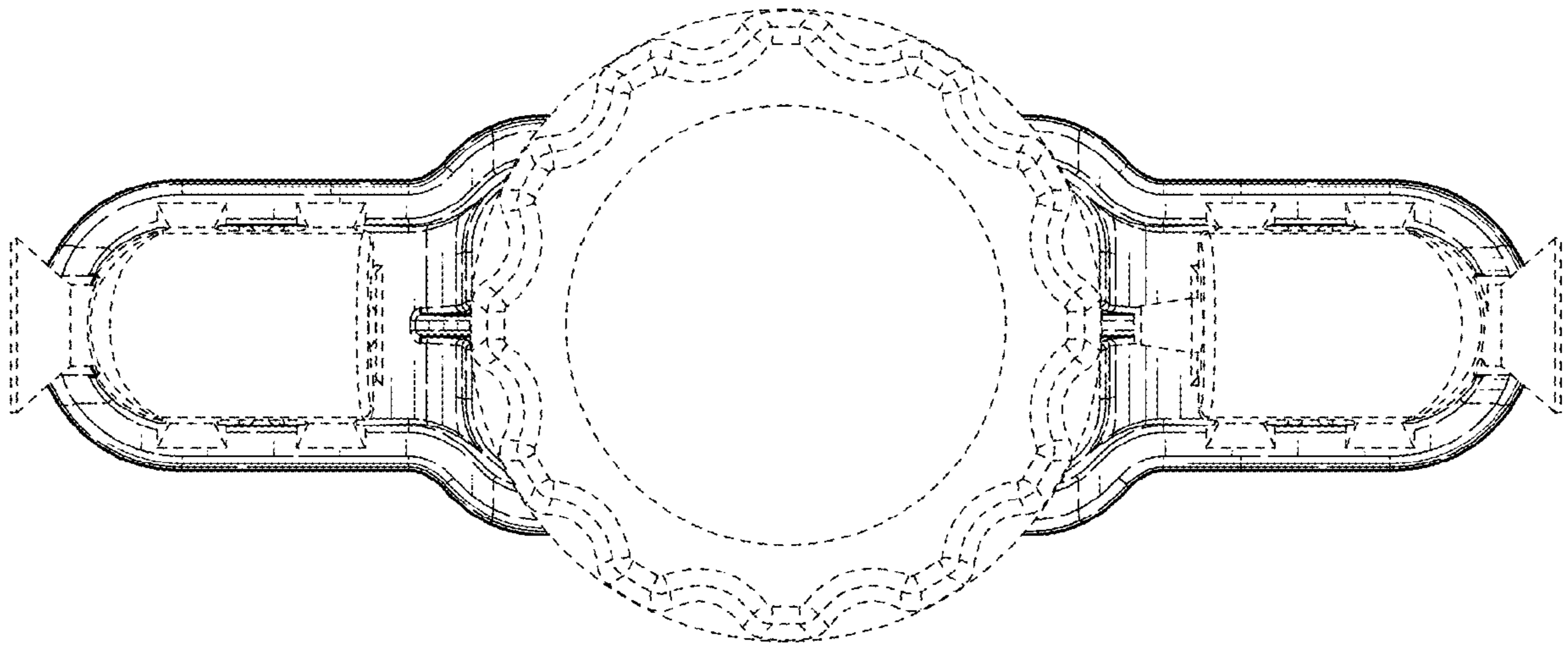


FIG. 4

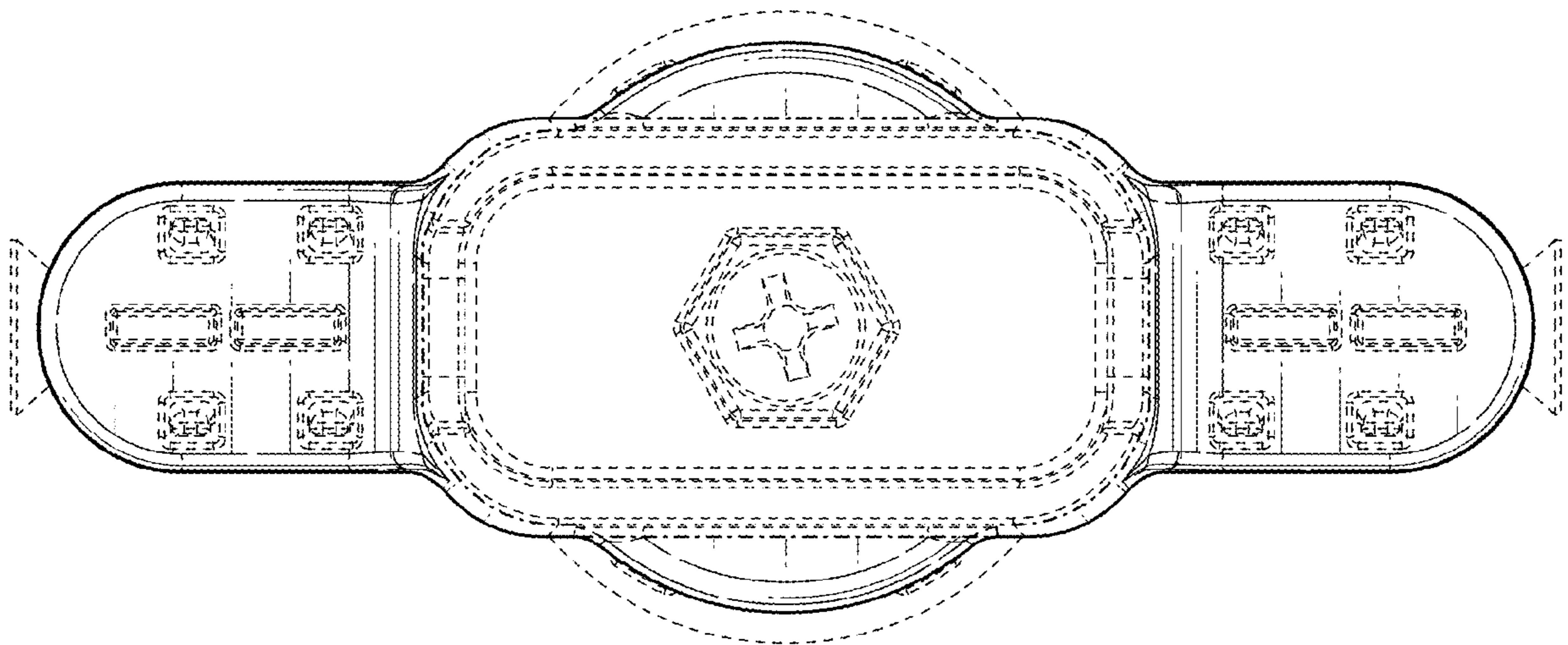


FIG. 5

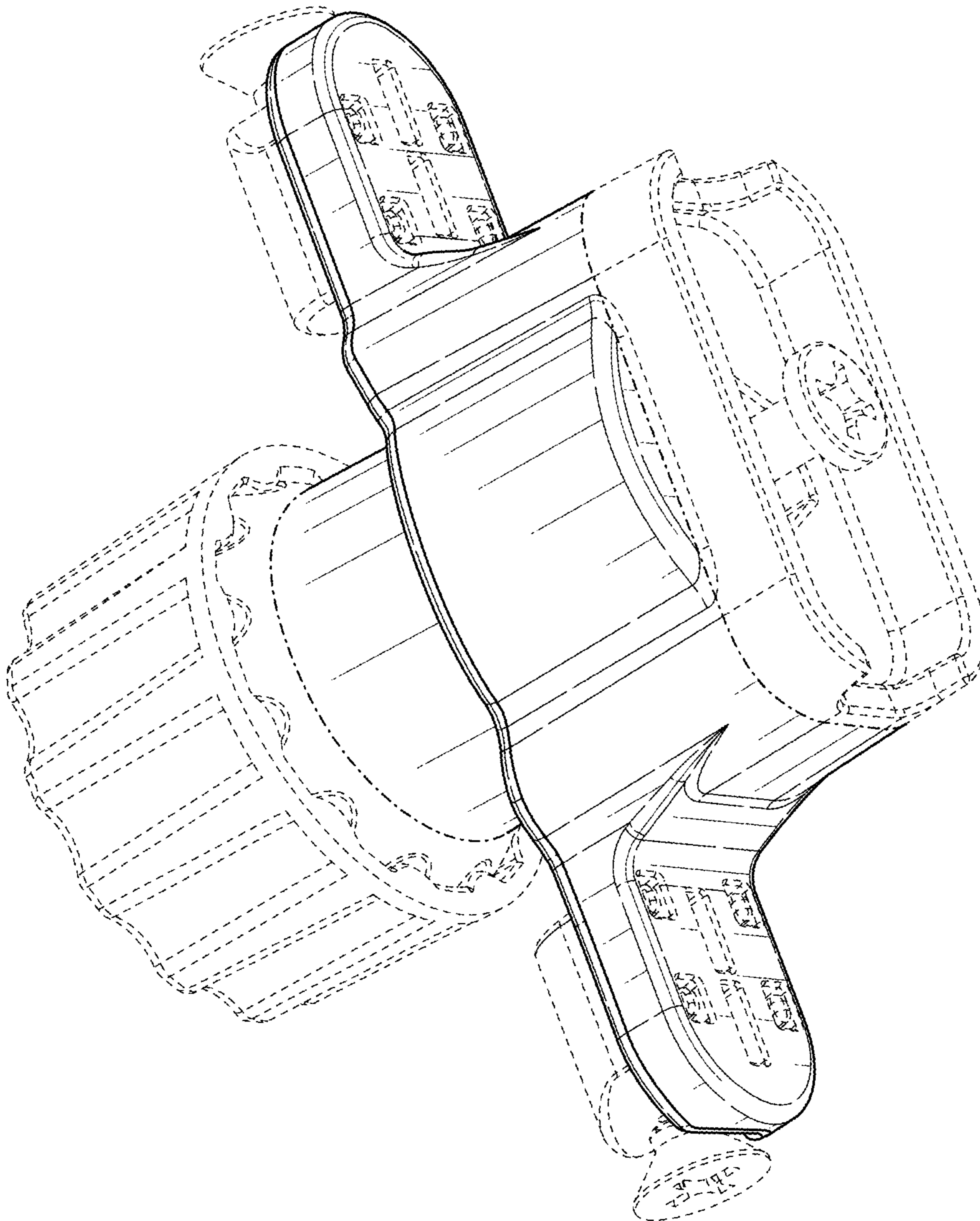


FIG. 6