



US00D986039S

(12) **United States Design Patent** (10) **Patent No.:** **US D986,039 S**
Davis et al. (45) **Date of Patent:** **** May 16, 2023**

(54) **SUSPENSION BRACKET**
(71) Applicant: **GRIPPLE LIMITED**, Sheffield (GB)
(72) Inventors: **Simon Davis**, Sheffield (GB); **Oliver Sunderland**, Sheffield (GB)
(73) Assignee: **GRIPPLE LIMITED**
(**) Term: **15 Years**
(21) Appl. No.: **29/754,940**
(22) Filed: **Oct. 15, 2020**

(30) **Foreign Application Priority Data**
Apr. 16, 2020 (EM) 007809983-0001
Apr. 16, 2020 (EM) 007809983-0002
Apr. 16, 2020 (EM) 007809983-0003
Apr. 16, 2020 (EM) 007809983-0004
Apr. 16, 2020 (EM) 007809983-0005
Apr. 16, 2020 (EM) 007809983-0006
Apr. 16, 2020 (EM) 007809983-0007
Apr. 16, 2020 (EM) 007809983-0008

(51) **LOC (14) Cl.** **08-11**
(52) **U.S. Cl.**
USPC **D8/373**

(58) **Field of Classification Search**
USPC D6/566; D8/349, 350, 352, 354, 355,
D8/366, 373, 377; D12/406, 412;
D21/694; D25/107, 108, 109, 119, 120,
D25/121, 122, 123, 124, 125, 127, 134,
D25/152, 156
CPC .. F16C 2314/72; F16C 29/0623; F16C 29/06;
F16C 29/0609; F16C 29/005; F16C
29/008; F16C 29/04; F16C 29/0657;
F16C 29/004; F16C 29/12; A47B 1/10;
A47B 88/493; A47B 88/423; A47B
2088/4235; B44C 5/02

See application file for complete search history.

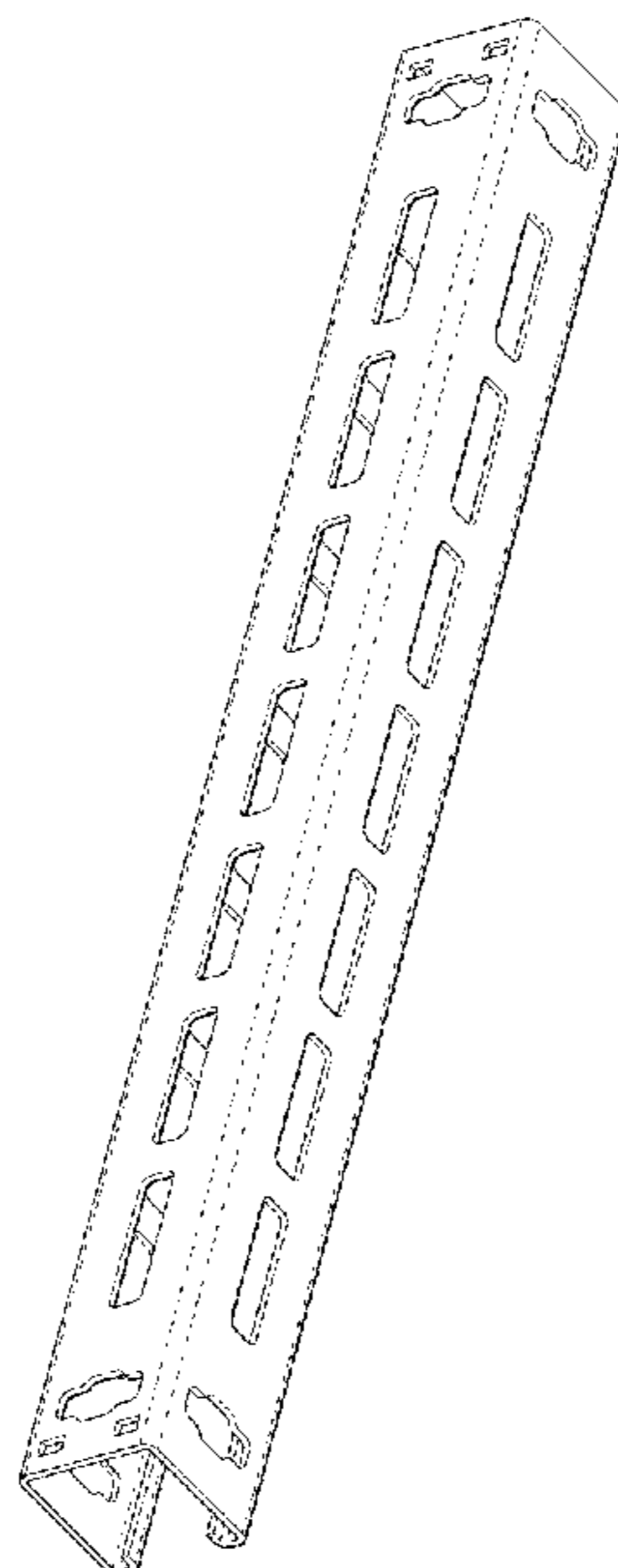
(56) **References Cited**
U.S. PATENT DOCUMENTS
4,029,282 A * 6/1977 Dauth A47F 5/0807
248/220.42
D387,973 S * 12/1997 Layman D8/377
D390,775 S * 2/1998 DePietro D8/373
7,621,494 B2 * 11/2009 Rees H05K 7/183
248/318
D869,262 S * 12/2019 Davis D8/349
D892,599 S * 8/2020 Witherbee D8/354
10,914,333 B2 * 2/2021 Davis F16L 3/22
D943,393 S * 2/2022 McVey D8/354
11,396,959 B2 * 7/2022 Reynolds H02G 3/263
2005/0109586 A1 * 5/2005 Schoendienst B65G 17/22
198/801
2011/0290948 A1 * 12/2011 Benne F16L 3/11
248/58
2019/0376544 A1 * 12/2019 Davis F16L 3/222
2022/0282804 A1 * 9/2022 Davis H02G 3/30

* cited by examiner
Primary Examiner — David G Muller
Assistant Examiner — Christina Gabrielle Cosden
(74) *Attorney, Agent, or Firm* — James R. Foley; Clark Hill PLC

(57) **CLAIM**
The ornamental design for a suspension bracket, as shown and described.

DESCRIPTION
FIG. 1 is a back view of the suspension bracket;
FIG. 2 is a bottom view thereof;
FIG. 3 is a front view thereof;
FIG. 4 is a left side view thereof;
FIG. 5 is a perspective closed view thereof;
FIG. 6 is a perspective open view thereof;
FIG. 7 is a right side view thereof; and,
FIG. 8 is a top view thereof.

1 Claim, 8 Drawing Sheets



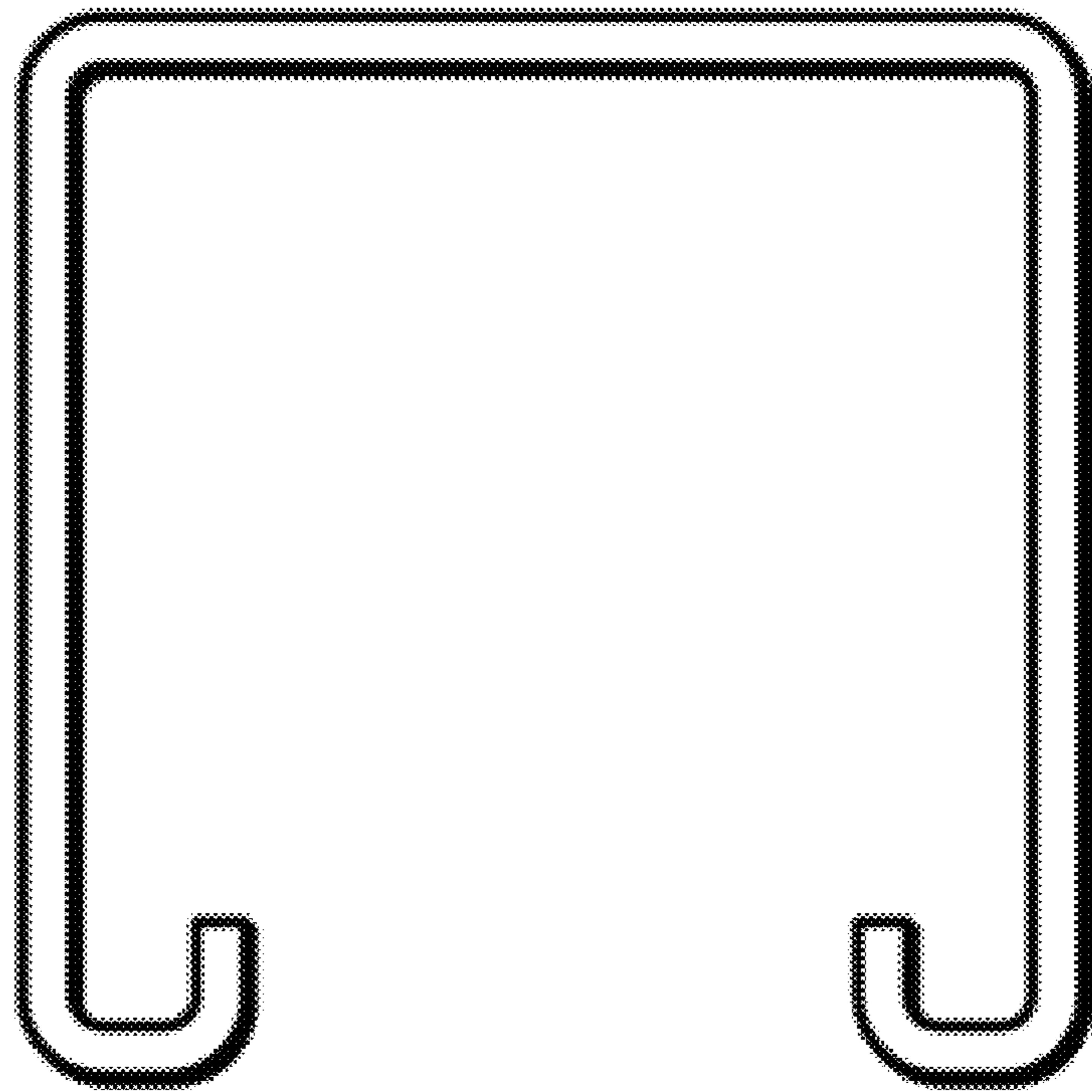


FIG. 1

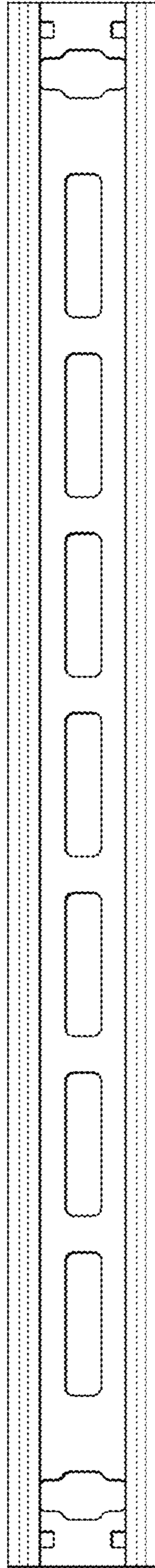


FIG. 2

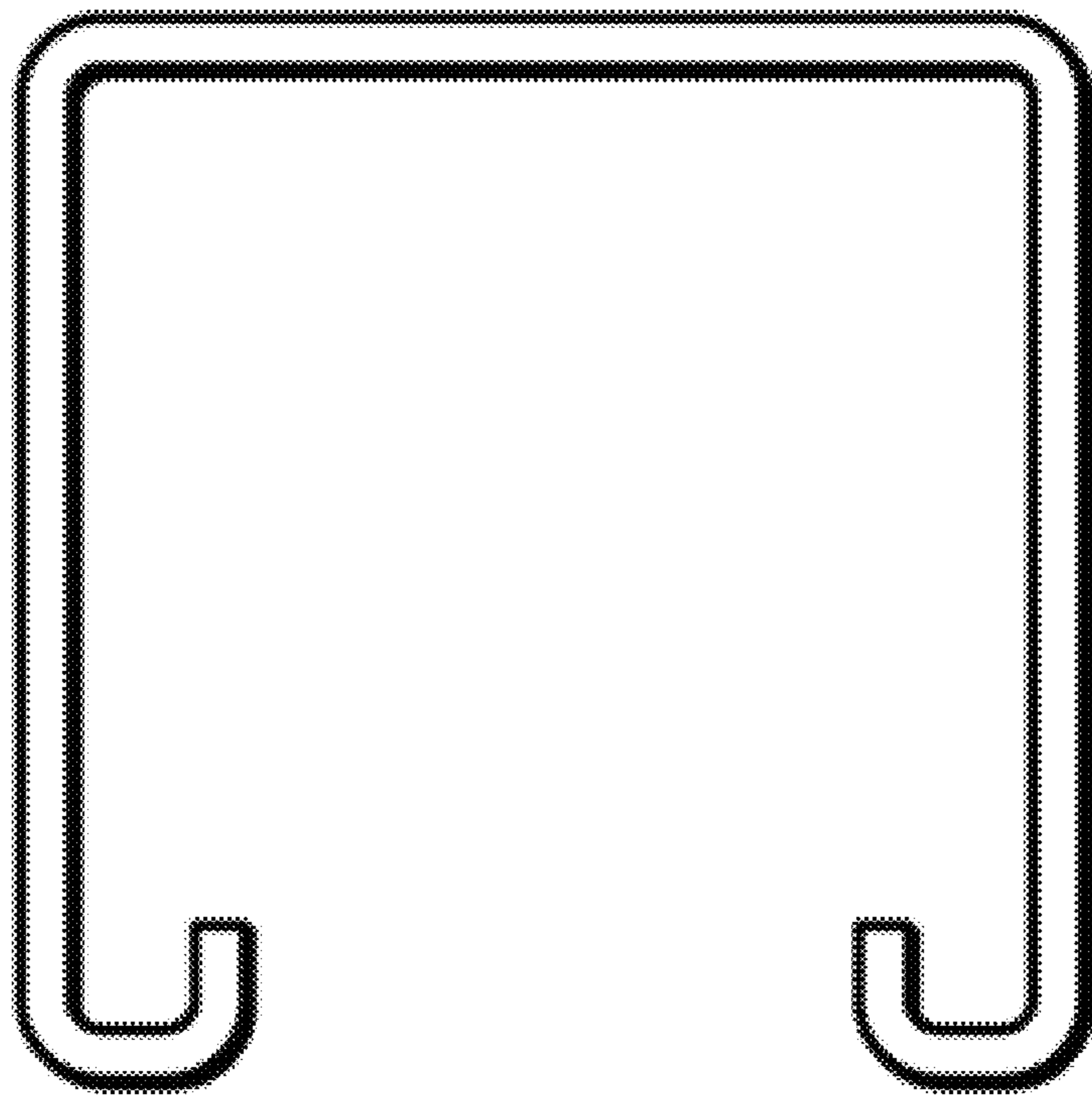


FIG. 3

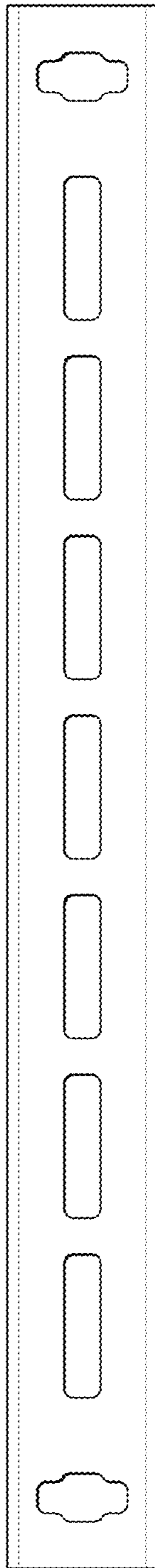


FIG. 4

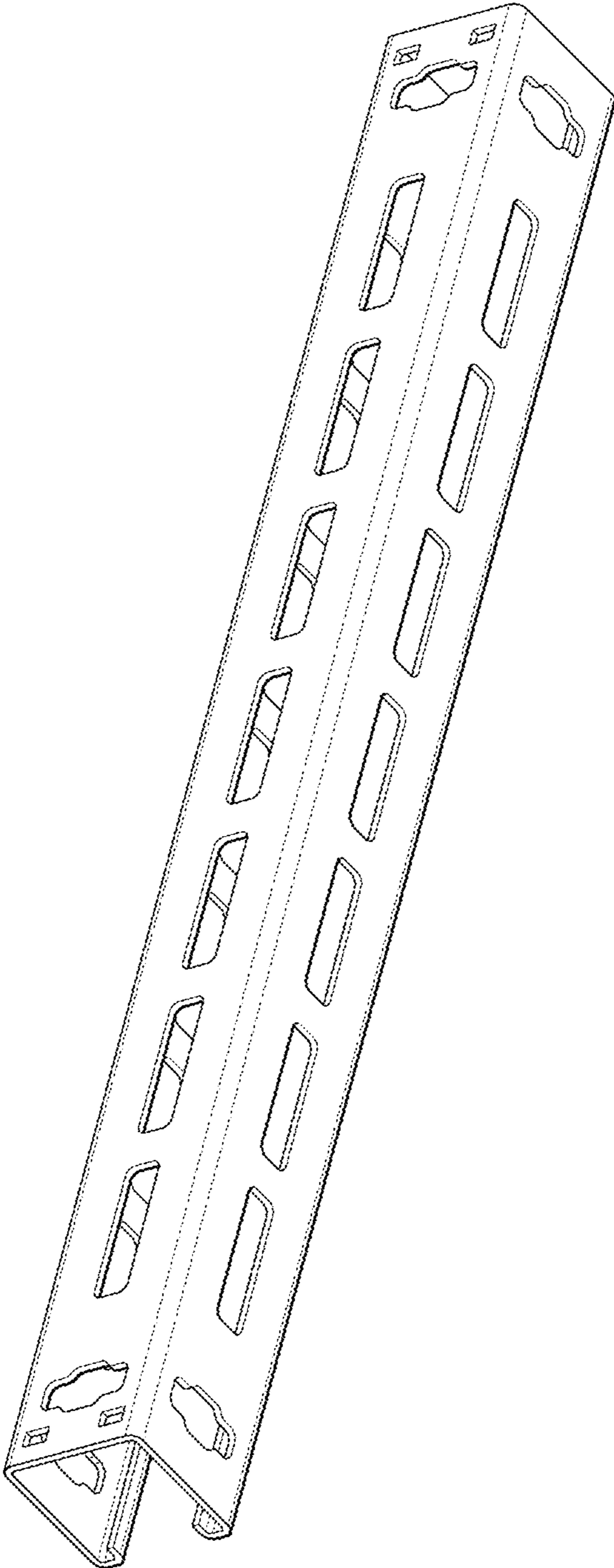


FIG. 5

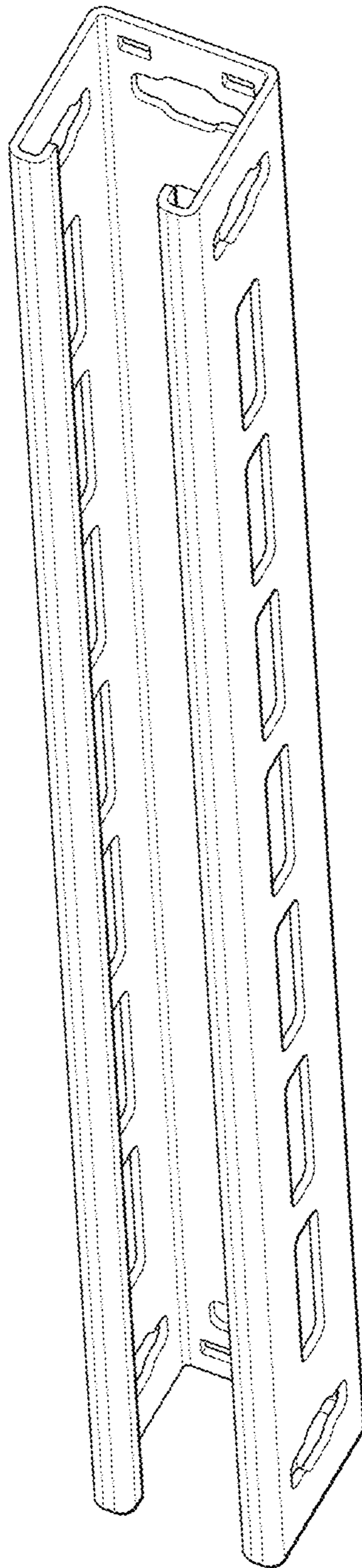


FIG. 6

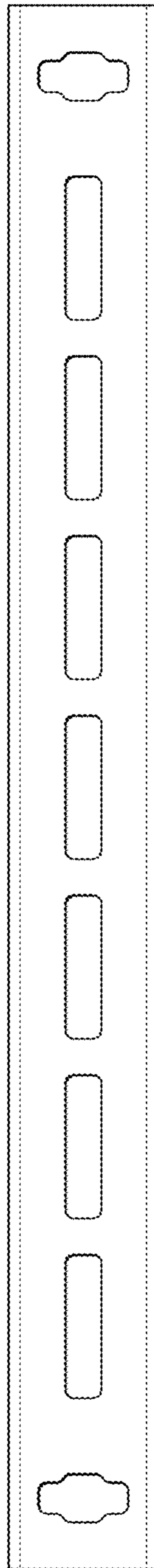


FIG. 7

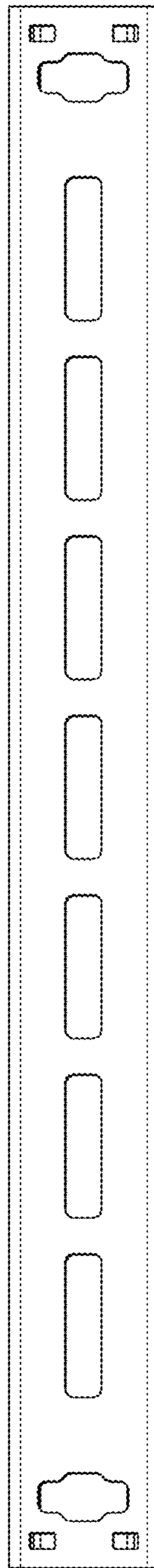


FIG. 8