



US00D986038S

(12) **United States Design Patent** (10) **Patent No.:** **US D986,038 S**
Davis et al. (45) **Date of Patent:** **** *May 16, 2023**

(54) **SUSPENSION ASSEMBLY**

A47B 88/493; A47B 88/423; A47B 2088/4235; B44C 5/02

(71) Applicant: **GRIPPLE LIMITED**, Sheffield (GB)

See application file for complete search history.

(72) Inventors: **Simon Davis**, Sheffield (GB); **Oliver Sunderland**, Sheffield (GB)

(56) **References Cited**

(73) Assignee: **GRIPPLE LIMITED**

U.S. PATENT DOCUMENTS

(*) Notice: This patent is subject to a terminal disclaimer.

4,029,282 A * 6/1977 Dauth A47F 5/0807
248/220.42
D387,973 S * 12/1997 Layman D8/377
D390,775 S * 2/1998 DePietro D8/373
7,621,494 B2 * 11/2009 Rees H05K 7/183
248/318
D869,262 S * 12/2019 Davis D8/349
D892,599 S * 8/2020 Witherbee D8/354
10,914,333 B2 * 2/2021 Davis F16L 3/22
D943,393 S * 2/2022 McVey D8/354
11,396,959 B2 * 7/2022 Reynolds H02G 3/263
2005/0109586 A1 * 5/2005 Schoendienst B65G 17/22
198/801
2011/0290948 A1 * 12/2011 Benne F16L 3/11
248/58

(**) Term: **15 Years**

(21) Appl. No.: **29/754,939**

(22) Filed: **Oct. 15, 2020**

(30) **Foreign Application Priority Data**

- Apr. 16, 2020 (EM) 007809983-0001
- Apr. 16, 2020 (EM) 007809983-0002
- Apr. 16, 2020 (EM) 007809983-0003
- Apr. 16, 2020 (EM) 007809983-0004
- Apr. 16, 2020 (EM) 007809983-0005
- Apr. 16, 2020 (EM) 007809983-0006
- Apr. 16, 2020 (EM) 007809983-0007
- Apr. 16, 2020 (EM) 007809983-0008

(Continued)

Primary Examiner — David G Muller

Assistant Examiner — Christina Gabrielle Cosden

(74) *Attorney, Agent, or Firm* — James R. Foley; Clark Hill PLC

(51) **LOC (14) Cl.** **08-11**

(52) **U.S. Cl.**
USPC **D8/373**

(58) **Field of Classification Search**
USPC D6/566; D8/349, 350, 352, 354, 355,
D8/366, 373, 377; D12/406, 412;
D21/694; D25/107, 108, 109, 119, 120,
D25/121, 122, 123, 124, 125, 127, 134,
D25/152, 156
CPC .. F16C 2314/72; F16C 29/0623; F16C 29/06;
F16C 29/0609; F16C 29/005; F16C
29/008; F16C 29/04; F16C 29/0657;
F16C 29/004; F16C 29/12; A47B 1/10;

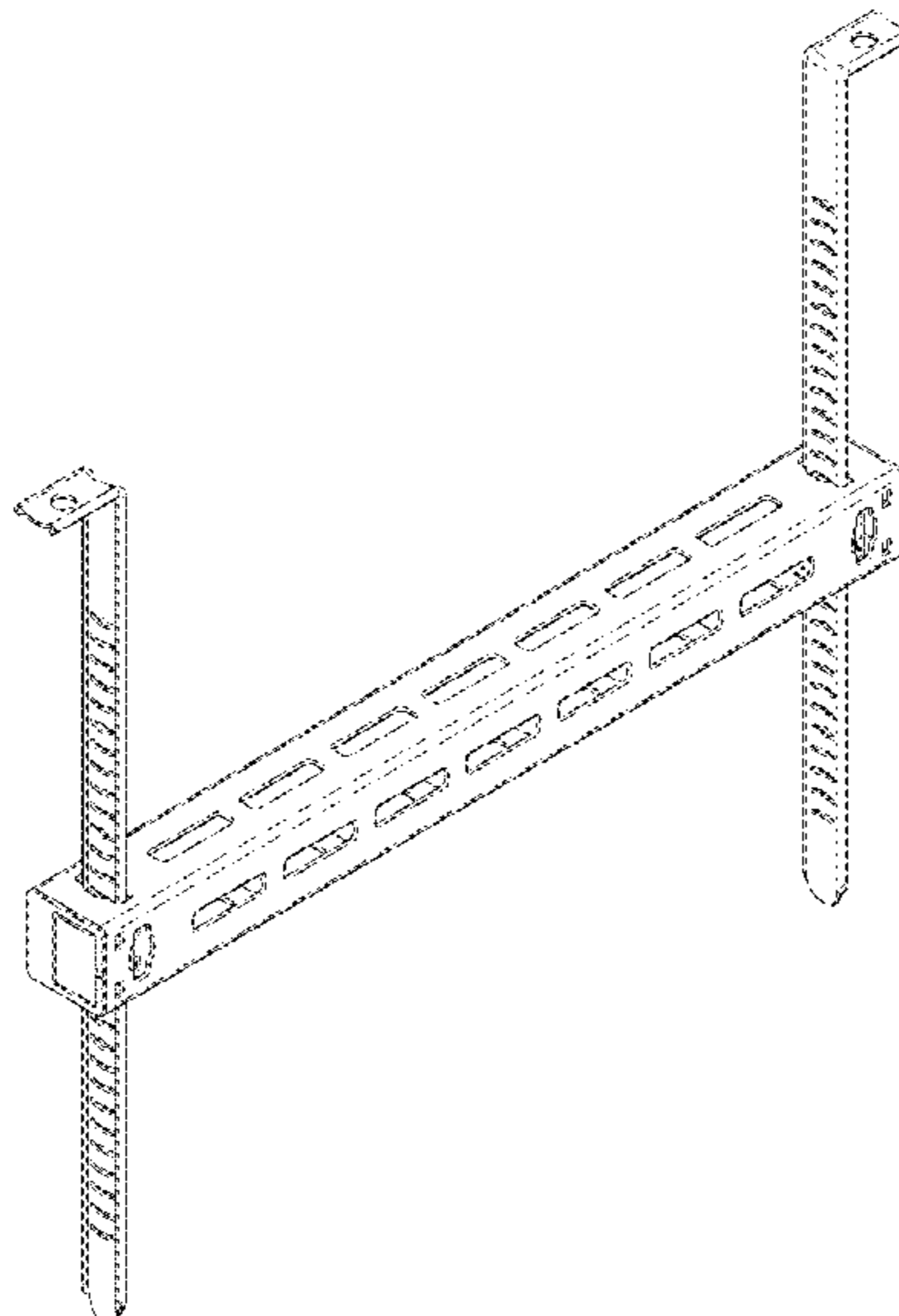
(57) **CLAIM**

The ornamental design for a suspension assembly, as shown and described.

DESCRIPTION

FIG. 1 is a back view of the suspension assembly;
FIG. 2 is a bottom view thereof;
FIG. 3 is a front view thereof;
FIG. 4 is a left side view thereof;
FIG. 5 is a perspective closed view thereof;
FIG. 6 is a perspective open view thereof;
FIG. 7 is a right side view thereof; and,
FIG. 8 is a top view thereof.

1 Claim, 8 Drawing Sheets



(56)

References Cited

U.S. PATENT DOCUMENTS

2019/0376544 A1* 12/2019 Davis F16L 3/222
2022/0282804 A1* 9/2022 Davis H02G 3/30

* cited by examiner

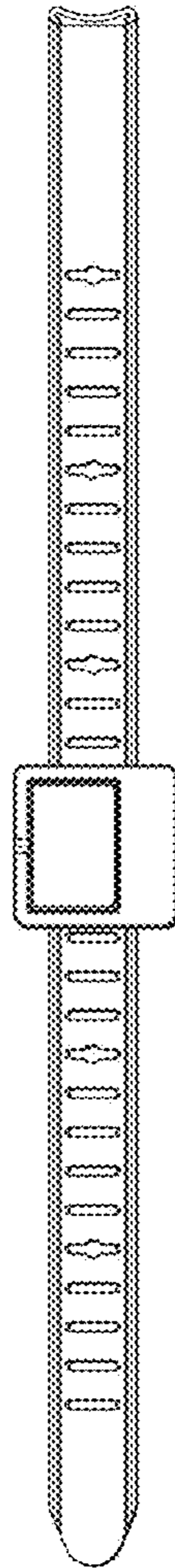


FIG. 1

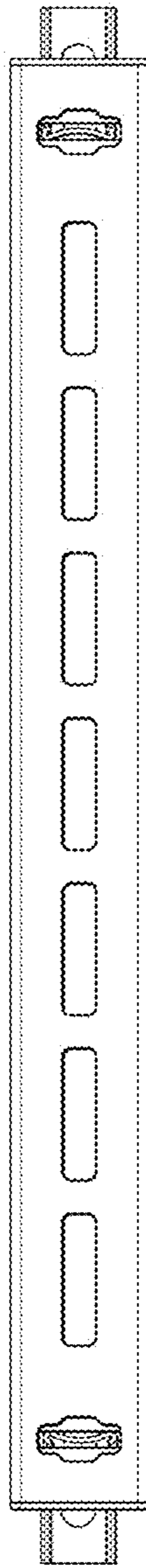


FIG. 2

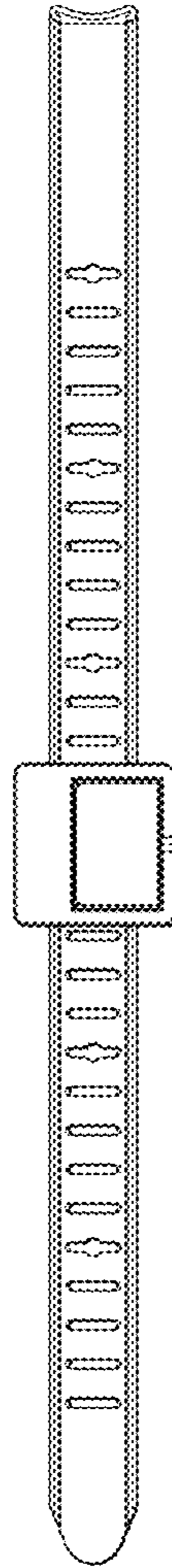


FIG. 3

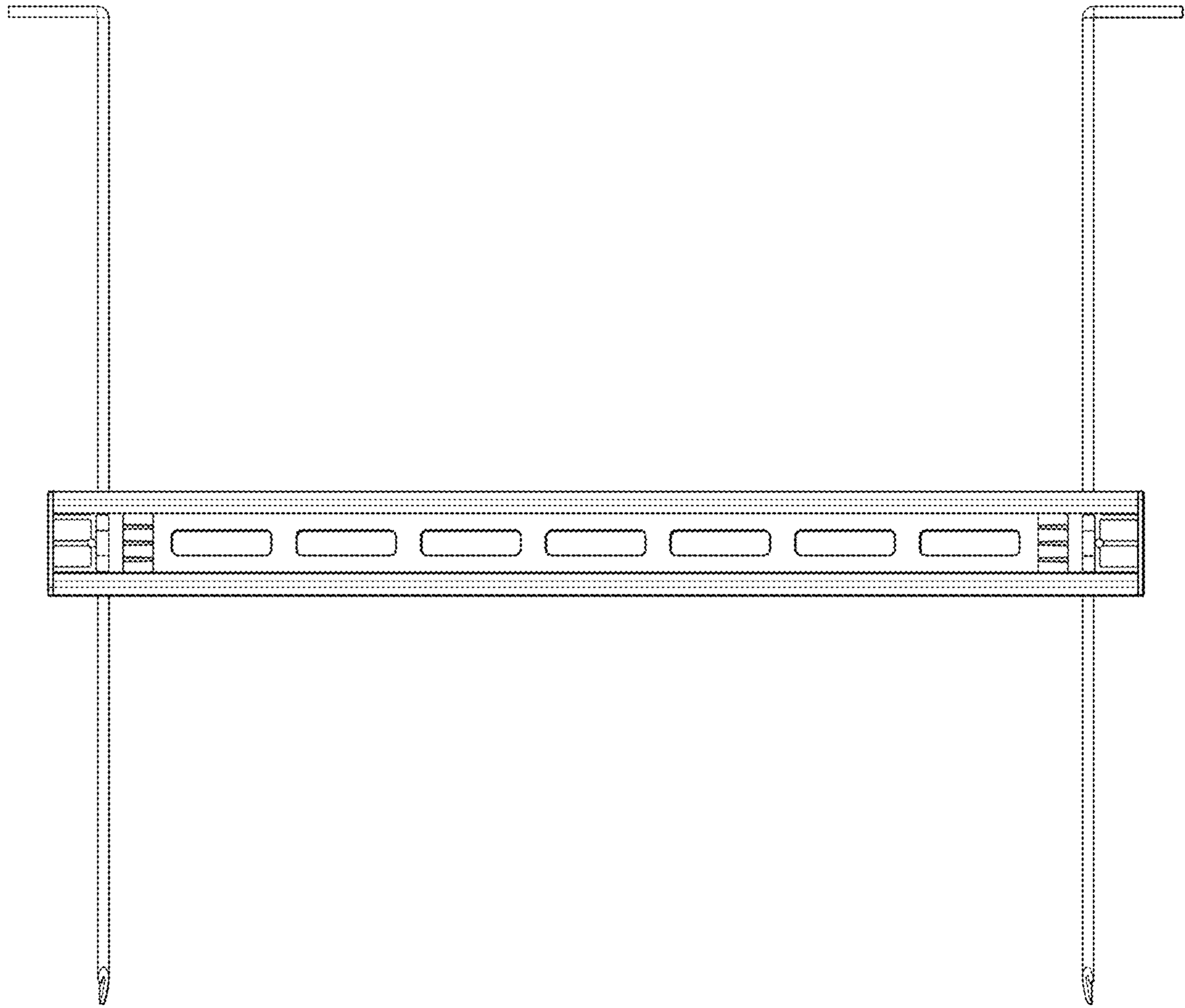


FIG. 4

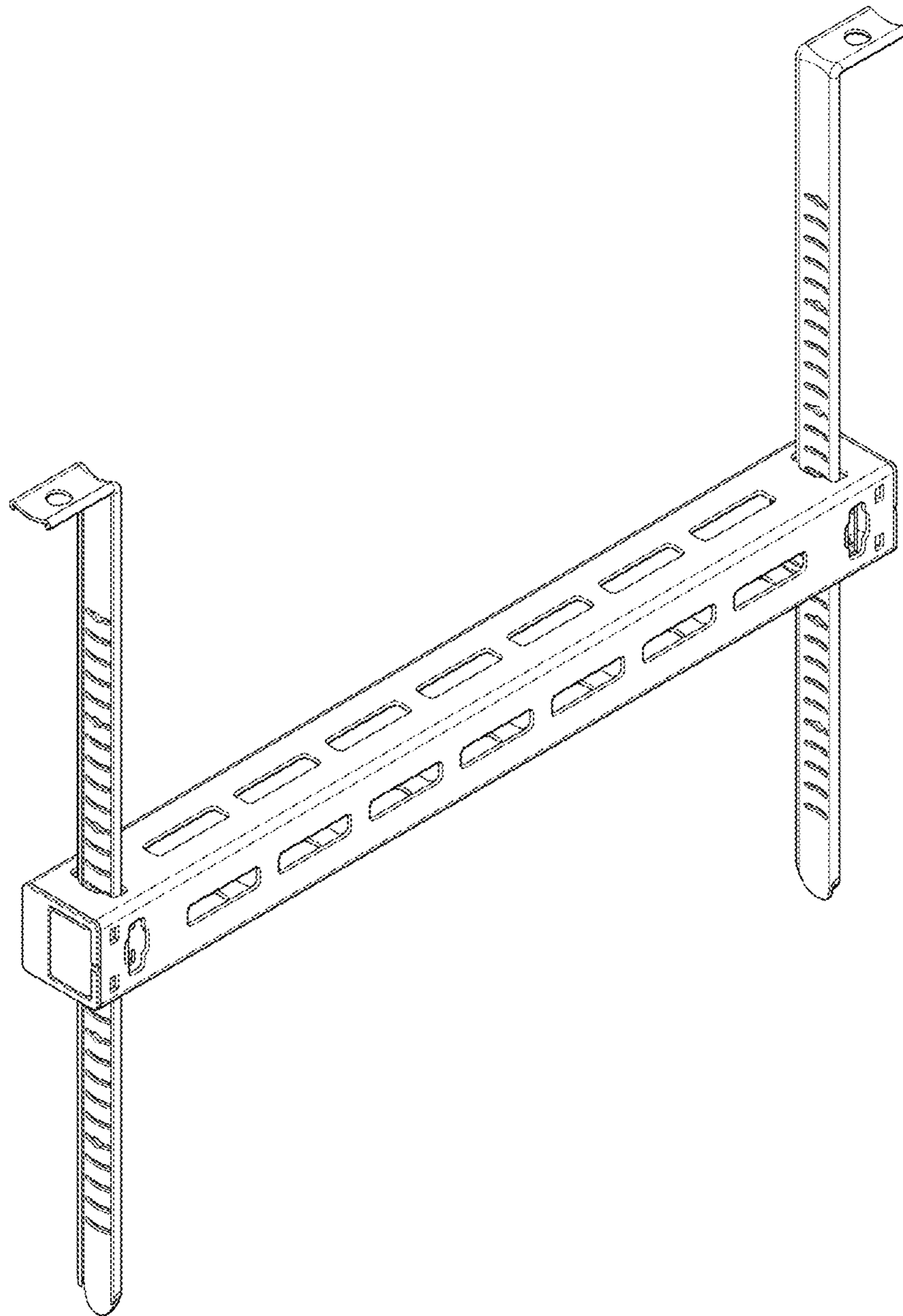


FIG. 5

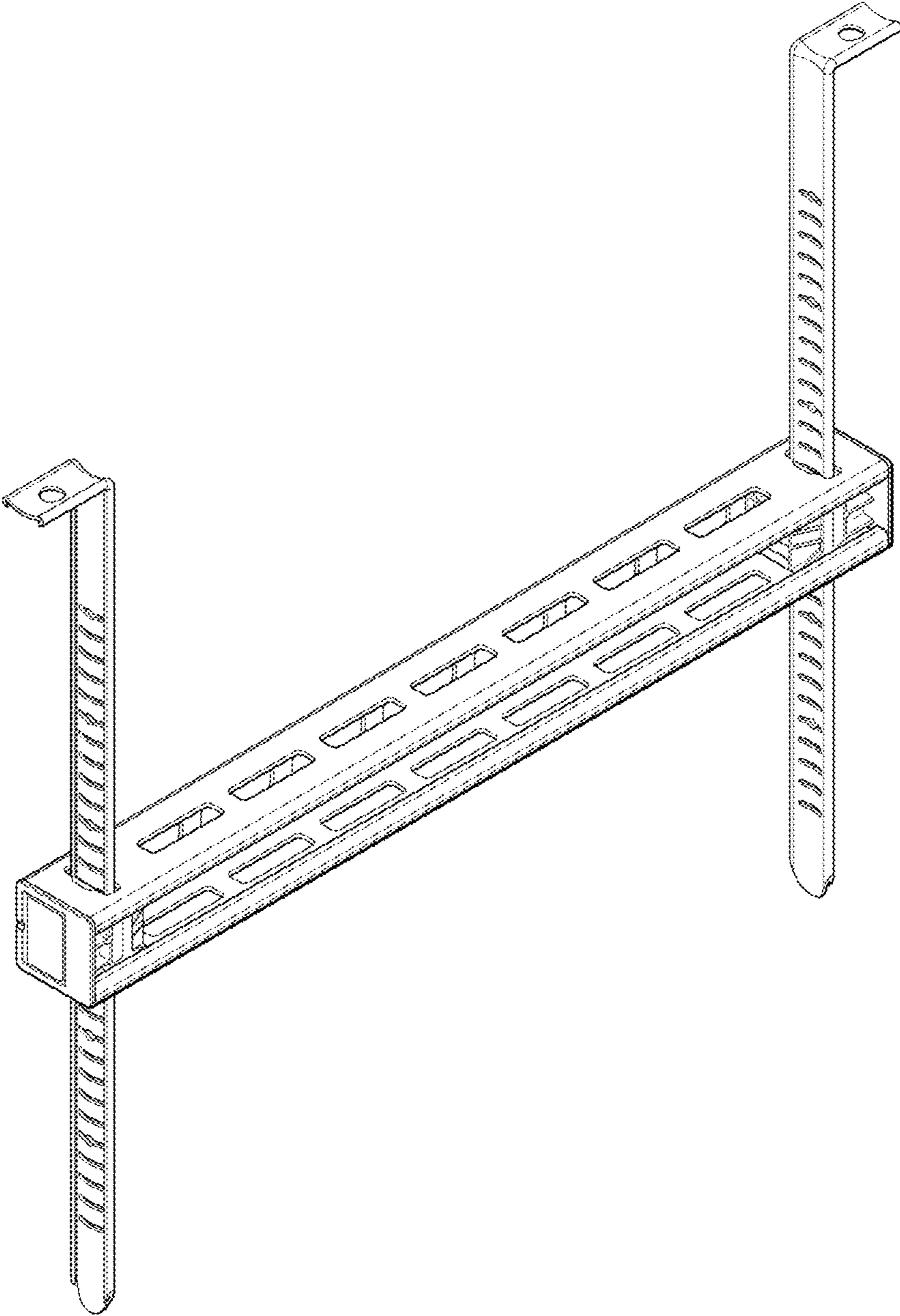


FIG. 6

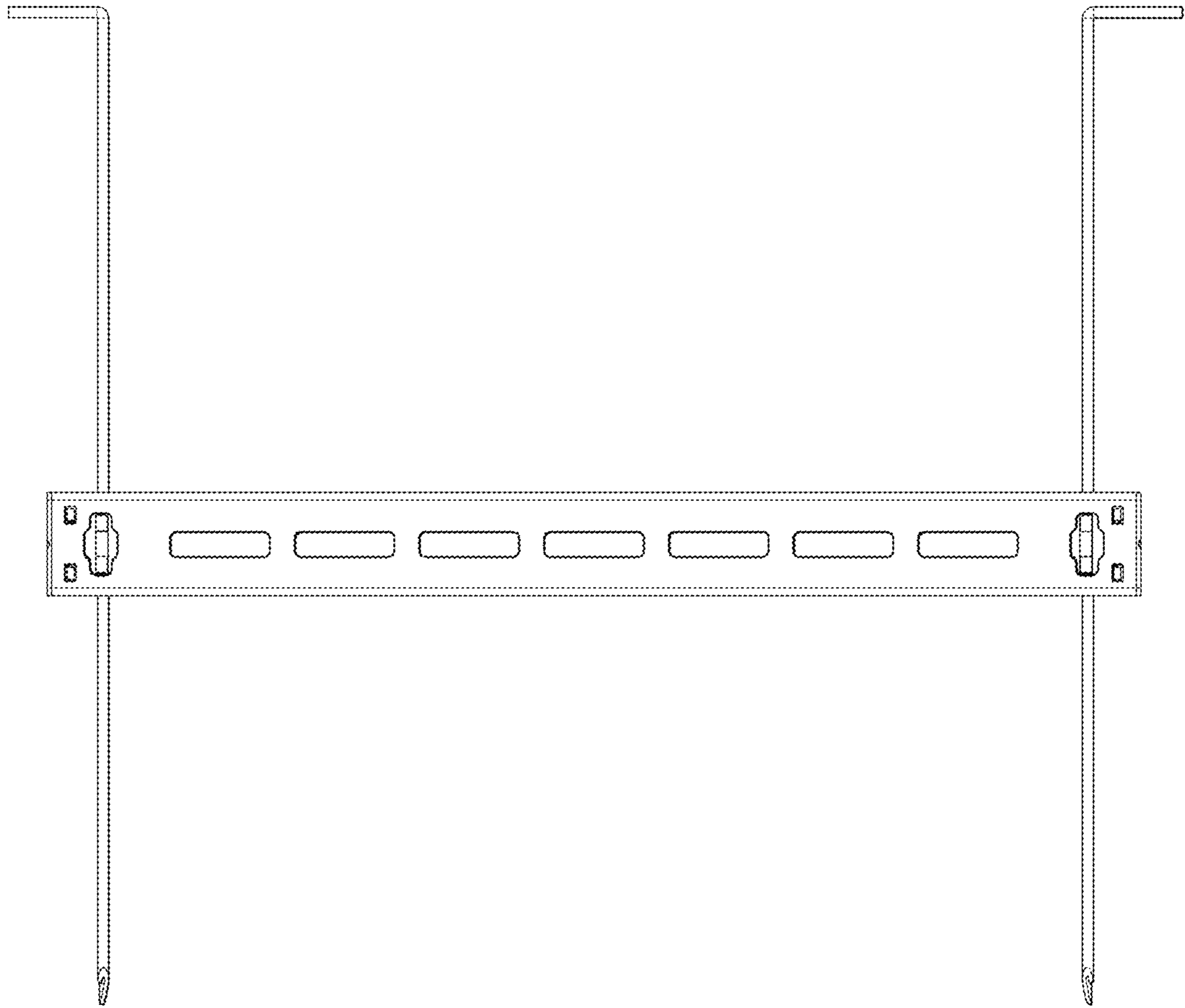


FIG. 7

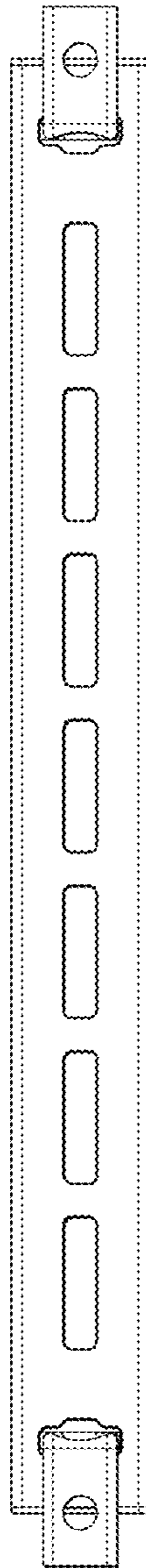


FIG. 8