



US00D986037S

(12) **United States Design Patent** (10) **Patent No.:** **US D986,037 S**  
**Davis et al.** (45) **Date of Patent:** **\*\* \*May 16, 2023**

(54) **SUSPENSION ASSEMBLY**

A47B 88/493; A47B 88/423; A47B 2088/4235; B44C 5/02

(71) Applicant: **GRIPPLE LIMITED**, Sheffield (GB)

See application file for complete search history.

(72) Inventors: **Simon Davis**, Sheffield (GB); **Oliver Sunderland**, Sheffield (GB)

(56) **References Cited**

(73) Assignee: **GRIPPLE LIMITED**

U.S. PATENT DOCUMENTS

(\*) Notice: This patent is subject to a terminal disclaimer.

4,029,282	A *	6/1977	Dauth .....	A47F 5/0807
				248/220.42
D387,973	S *	12/1997	Layman .....	D8/377
D390,775	S *	2/1998	DePietro .....	D8/373
7,621,494	B2 *	11/2009	Rees .....	H05K 7/183
				248/318
D869,262	S *	12/2019	Davis .....	D8/349
D892,599	S *	8/2020	Wetherbee .....	D8/354
10,914,333	B2 *	2/2021	Davis .....	F16L 3/22
D943,393	S *	2/2022	McVey .....	D8/354
11,396,959	B2 *	7/2022	Reynolds .....	H02G 3/263
2005/0109586	A1 *	5/2005	Schoendienst .....	B65G 17/22
				198/801
2011/0290948	A1 *	12/2011	Benne .....	F16L 3/11
				248/58

(\*\*) Term: **15 Years**

(21) Appl. No.: **29/754,936**

(22) Filed: **Oct. 15, 2020**

(30) **Foreign Application Priority Data**

Apr. 16, 2020	(EM)	007809983-0001
Apr. 16, 2020	(EM)	007809983-0002
Apr. 16, 2020	(EM)	007809983-0003
Apr. 16, 2020	(EM)	007809983-0004
Apr. 16, 2020	(EM)	007809983-0005
Apr. 16, 2020	(EM)	007809983-0006
Apr. 16, 2020	(EM)	007809983-0007
Apr. 16, 2020	(EM)	007809983-0008

(Continued)

*Primary Examiner* — David G Muller  
*Assistant Examiner* — Christina Gabrielle Cosden  
(74) *Attorney, Agent, or Firm* — James R. Foley; Clark Hill PLC

(51) **LOC (14) Cl.** ..... **08-11**

(52) **U.S. Cl.**  
USPC ..... **D8/373**

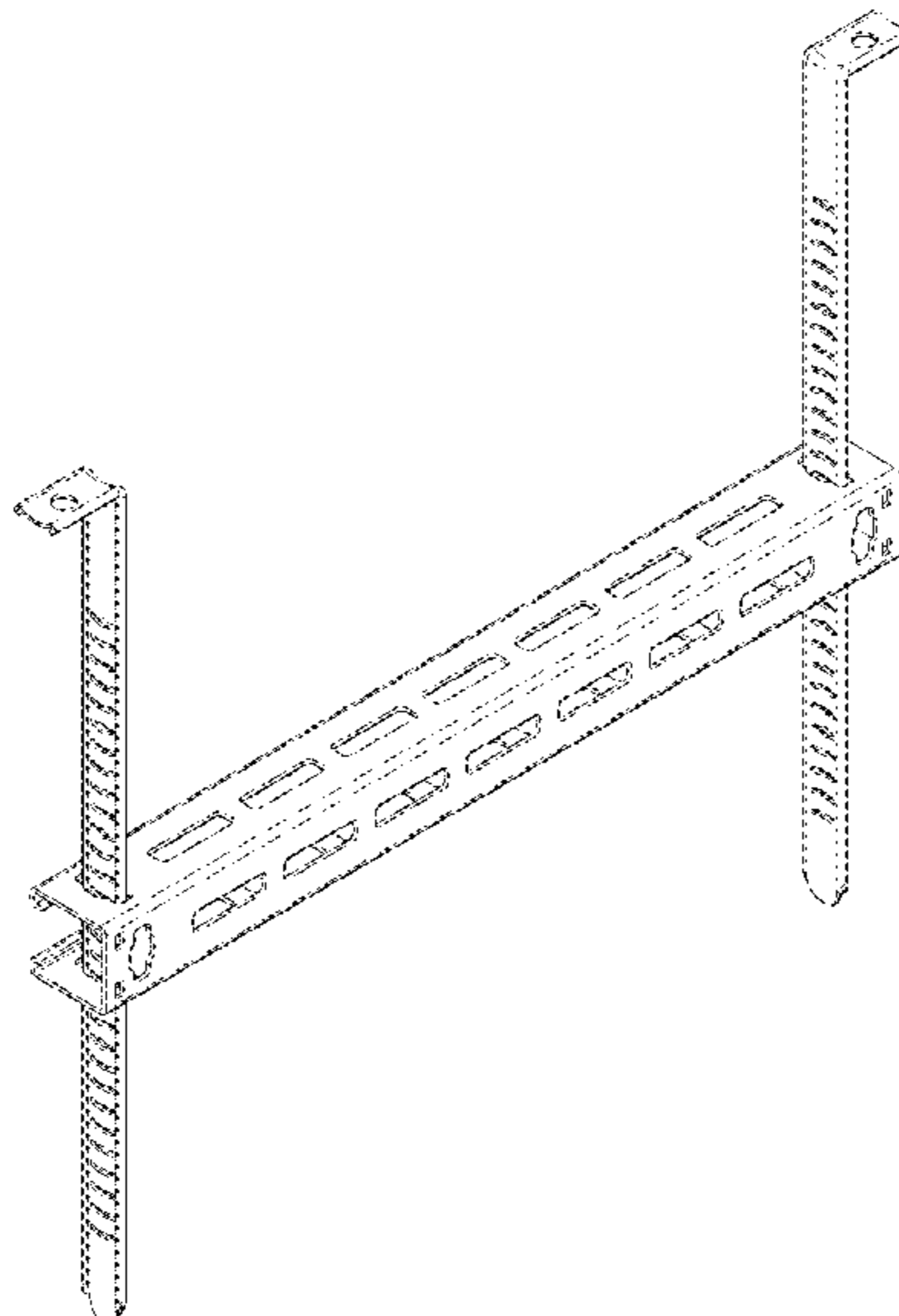
(58) **Field of Classification Search**  
USPC ..... D6/566; D8/349, 350, 352, 354, 355, D8/366, 373, 377; D12/406, 412; D21/694; D25/107, 108, 109, 119, 120, D25/121, 122, 123, 124, 125, 127, 134, D25/152, 156  
CPC .. F16C 2314/72; F16C 29/0623; F16C 29/06; F16C 29/0609; F16C 29/005; F16C 29/008; F16C 29/04; F16C 29/0657; F16C 29/004; F16C 29/12; A47B 1/10;

(57) **CLAIM**  
The ornamental design for a suspension assembly, as shown and described.

**DESCRIPTION**

FIG. 1 is a back view of the suspension assembly;  
FIG. 2 is a bottom view thereof;  
FIG. 3 is a front view thereof;  
FIG. 4 is a left side view thereof;  
FIG. 5 is a perspective closed view thereof;  
FIG. 6 is a perspective open view thereof;  
FIG. 7 is a right side view thereof; and,  
FIG. 8 is a top view thereof.

**1 Claim, 8 Drawing Sheets**



(56)

**References Cited**

U.S. PATENT DOCUMENTS

2019/0376544 A1\* 12/2019 Davis ..... F16L 3/222  
2022/0282804 A1\* 9/2022 Davis ..... H02G 3/30

\* cited by examiner

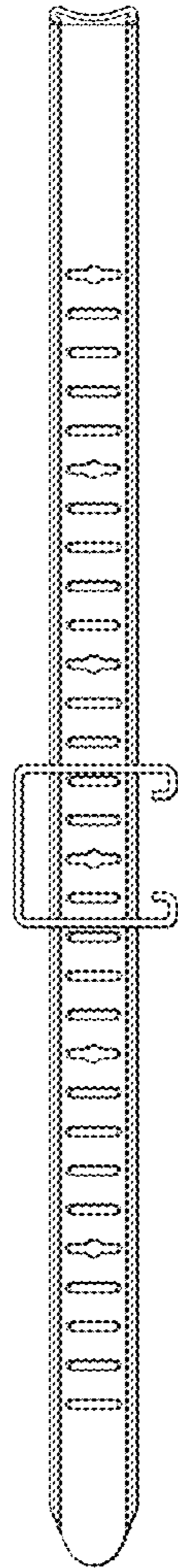


FIG. 1

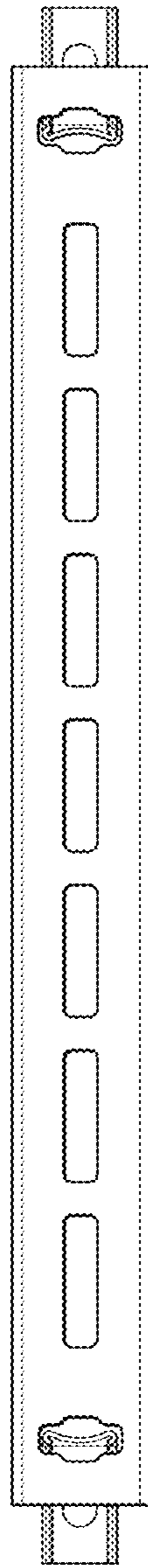


FIG. 2

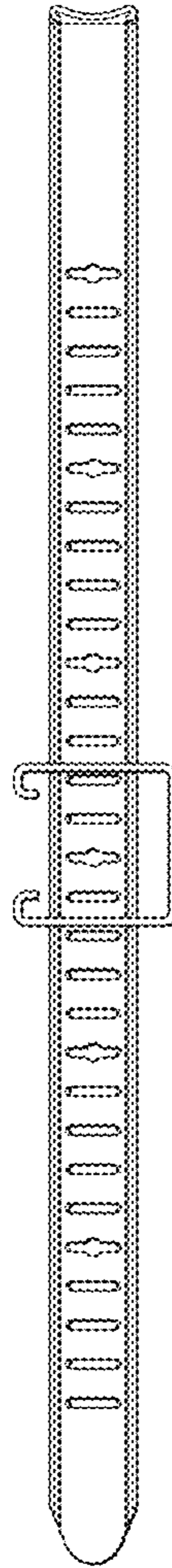


FIG. 3

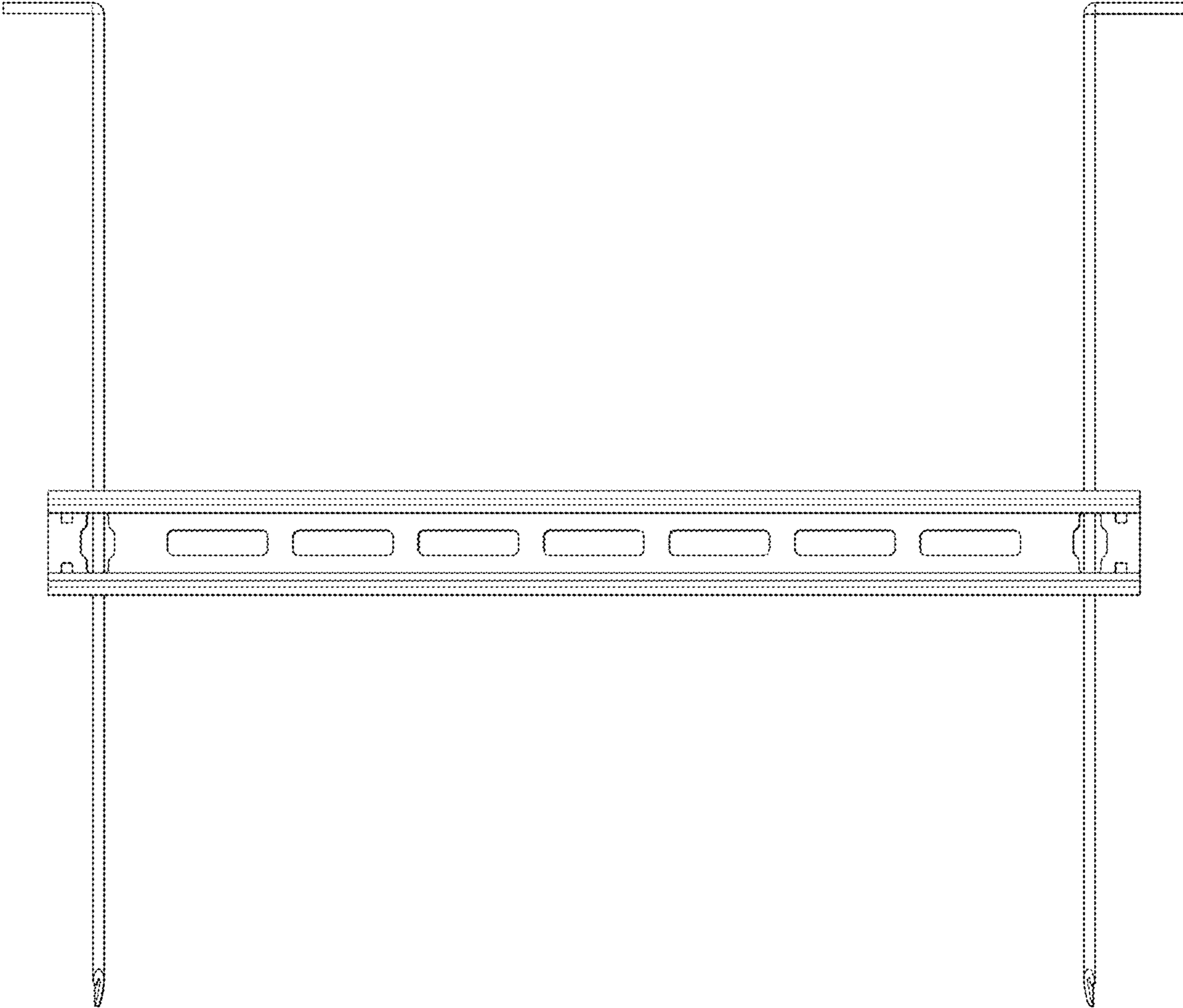


FIG. 4

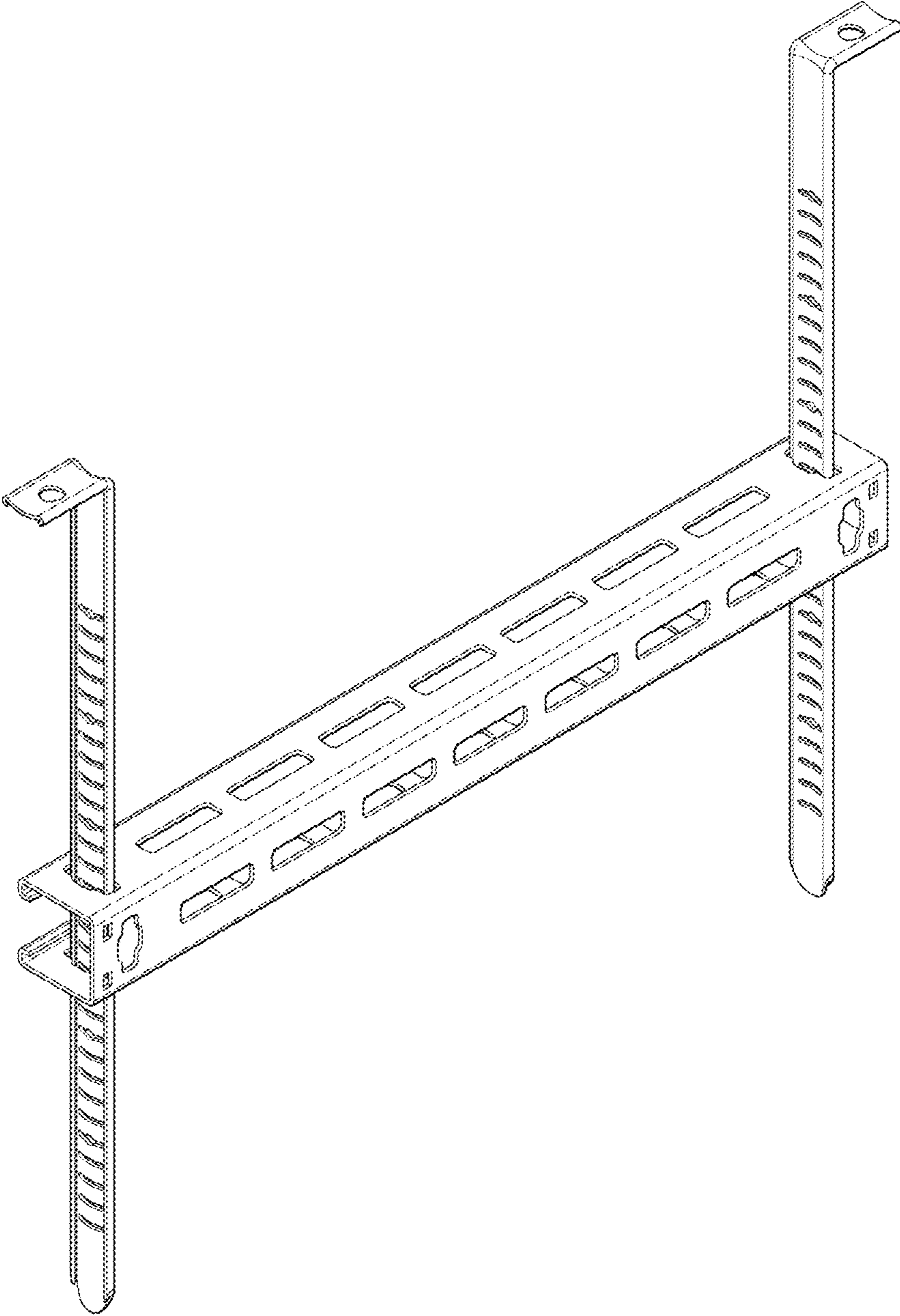


FIG. 5

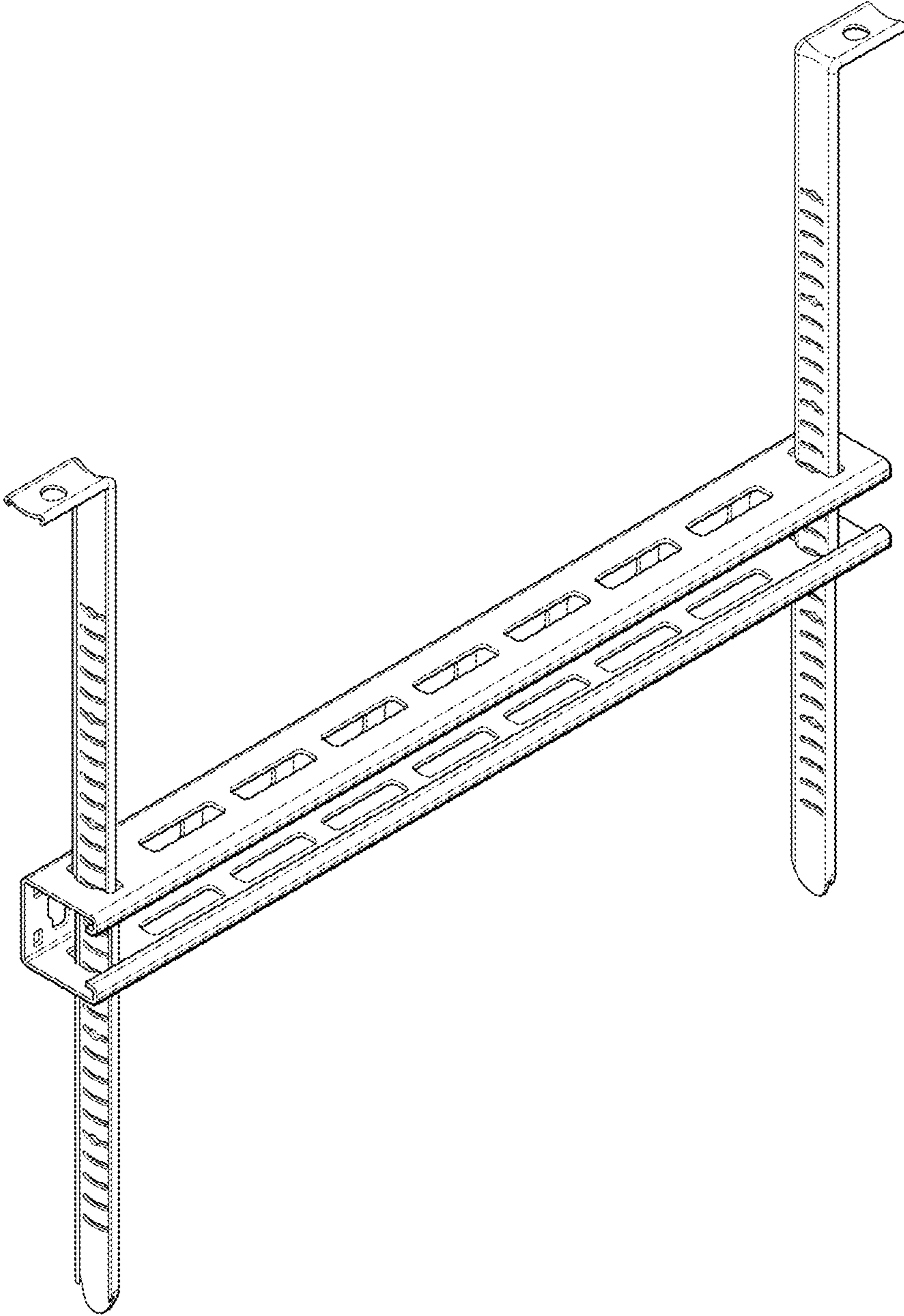


FIG. 6



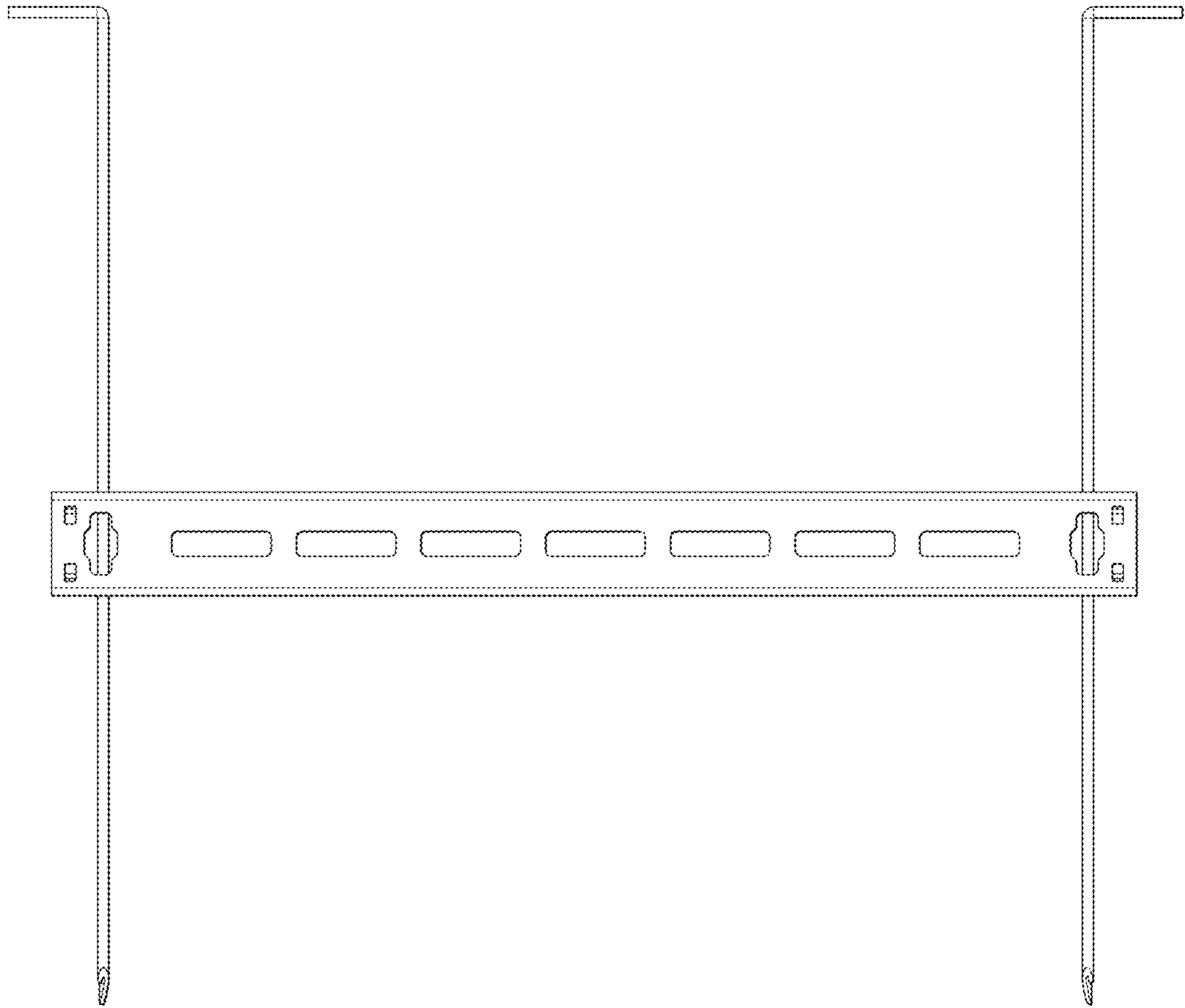


FIG. 7

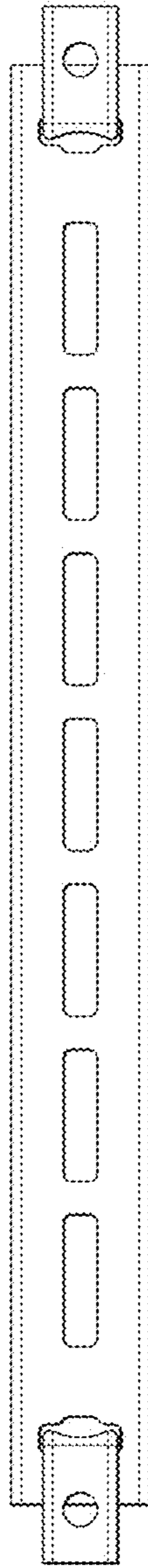


FIG. 8