



US00D986036S

(12) **United States Design Patent** (10) **Patent No.:** **US D986,036 S**  
**Davis et al.** (45) **Date of Patent:** **\*\* May 16, 2023**

(54) **SUSPENSION ASSEMBLY**  
(71) Applicant: **GRIPPLE LIMITED**, Sheffield (GB)  
(72) Inventors: **Simon Davis**, Sheffield (GB); **Oliver Sunderland**, Sheffield (GB)  
(73) Assignee: **GRIPPLE LIMITED**  
(\*\*) Term: **15 Years**  
(21) Appl. No.: **29/754,927**  
(22) Filed: **Oct. 15, 2020**  
(30) **Foreign Application Priority Data**  
Apr. 16, 2020 (EM) ..... 007809983-0001  
Apr. 16, 2020 (EM) ..... 007809983-0002  
Apr. 16, 2020 (EM) ..... 007809983-0003  
Apr. 16, 2020 (EM) ..... 007809983-0004  
Apr. 16, 2020 (EM) ..... 007809983-0005  
Apr. 16, 2020 (EM) ..... 007809983-0006  
Apr. 16, 2020 (EM) ..... 007809983-0007  
Apr. 16, 2020 (EM) ..... 007809983-0008  
(51) **LOC (14) Cl.** ..... **08-11**  
(52) **U.S. Cl.**  
USPC ..... **D8/373**  
(58) **Field of Classification Search**  
USPC ..... D6/566; D8/349, 350, 352, 354, 355,  
D8/366, 373, 377; D12/406, 412;  
D21/694; D25/107, 108, 109, 119, 120,  
D25/121, 122, 123, 124, 125, 127, 134,  
D25/152, 156  
CPC .. F16C 2314/72; F16C 29/0623; F16C 29/06;  
F16C 29/0609; F16C 29/005; F16C  
29/008; F16C 29/04; F16C 29/0657;  
F16C 29/004; F16C 29/12; A47B 1/10;  
A47B 88/493; A47B 88/423; A47B  
2088/4235; B44C 5/02  
See application file for complete search history.

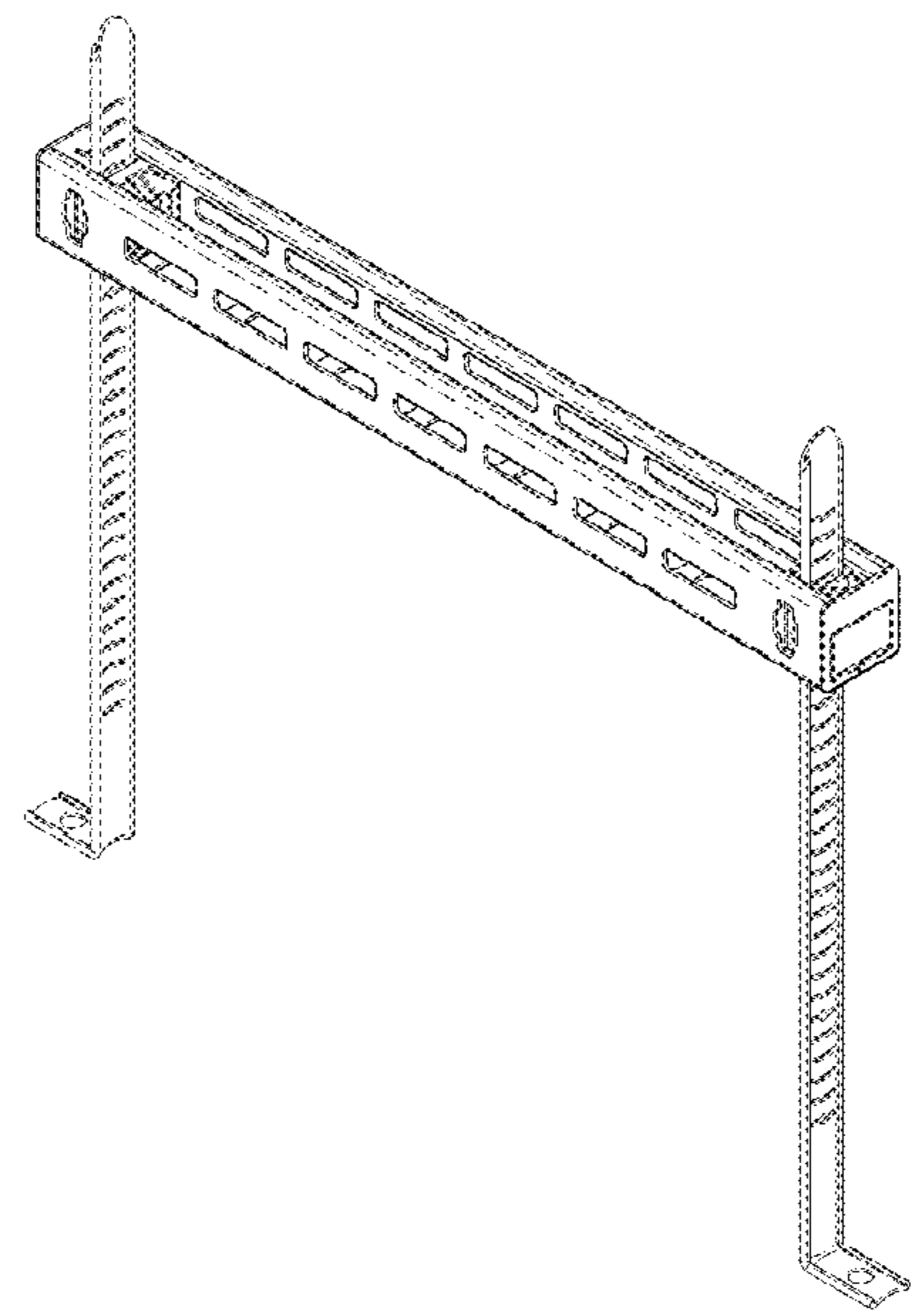
(56) **References Cited**  
**U.S. PATENT DOCUMENTS**  
4,029,282 A \* 6/1977 Dauth ..... A47F 5/0807  
248/220.42  
D387,973 S \* 12/1997 Layman ..... D8/377  
D390,775 S \* 2/1998 DePietro ..... D8/373  
7,621,494 B2 \* 11/2009 Rees ..... H05K 7/183  
248/318  
D869,262 S \* 12/2019 Davis ..... D8/349  
D892,599 S \* 8/2020 Witherbee ..... D8/354  
10,914,333 B2 \* 2/2021 Davis ..... F16L 3/22  
D943,393 S \* 2/2022 McVey ..... D8/354  
11,396,959 B2 \* 7/2022 Reynolds ..... H02G 3/263  
2005/0109586 A1 \* 5/2005 Schoendienst ..... B65G 17/22  
198/801  
2011/0290948 A1 \* 12/2011 Benne ..... F16L 3/11  
248/58  
2019/0376544 A1 \* 12/2019 Davis ..... F16L 3/222  
2022/0282804 A1 \* 9/2022 Davis ..... H02G 3/30

\* cited by examiner  
*Primary Examiner* — David G Muller  
*Assistant Examiner* — Christina Gabrielle Cosden  
(74) *Attorney, Agent, or Firm* — James R. Foley; Clark Hill PLC

(57) **CLAIM**  
The ornamental design for a suspension assembly, as shown and described.

**DESCRIPTION**  
FIG. 1 is a back view of the suspension assembly;  
FIG. 2 is a bottom view thereof;  
FIG. 3 is a front view thereof;  
FIG. 4 is a left side view thereof;  
FIG. 5 is a bottom perspective view thereof;  
FIG. 6 is a top perspective view thereof;  
FIG. 7 is a right side view thereof; and,  
FIG. 8 is a top view thereof.

**1 Claim, 8 Drawing Sheets**



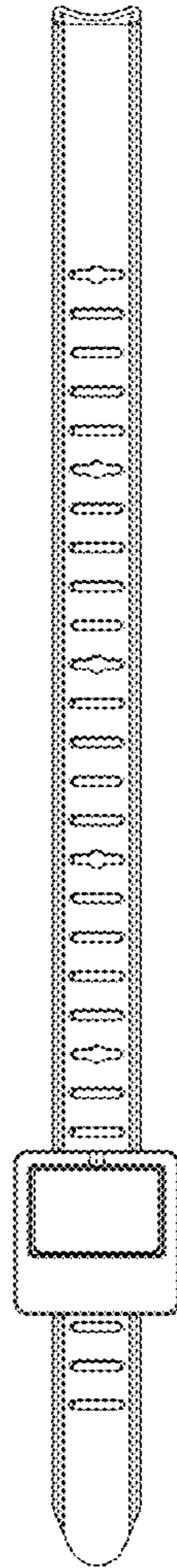


FIG. 1

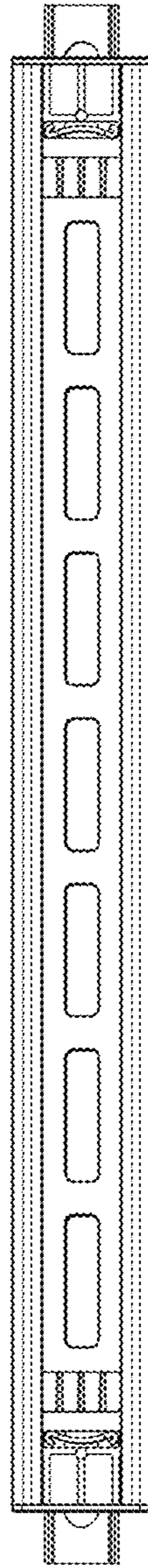


FIG. 2

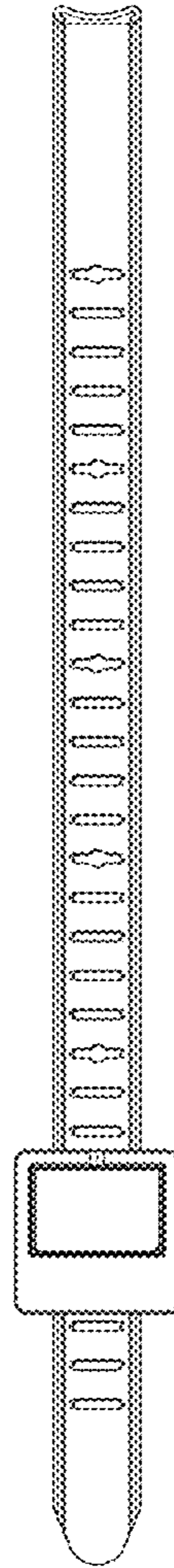


FIG. 3

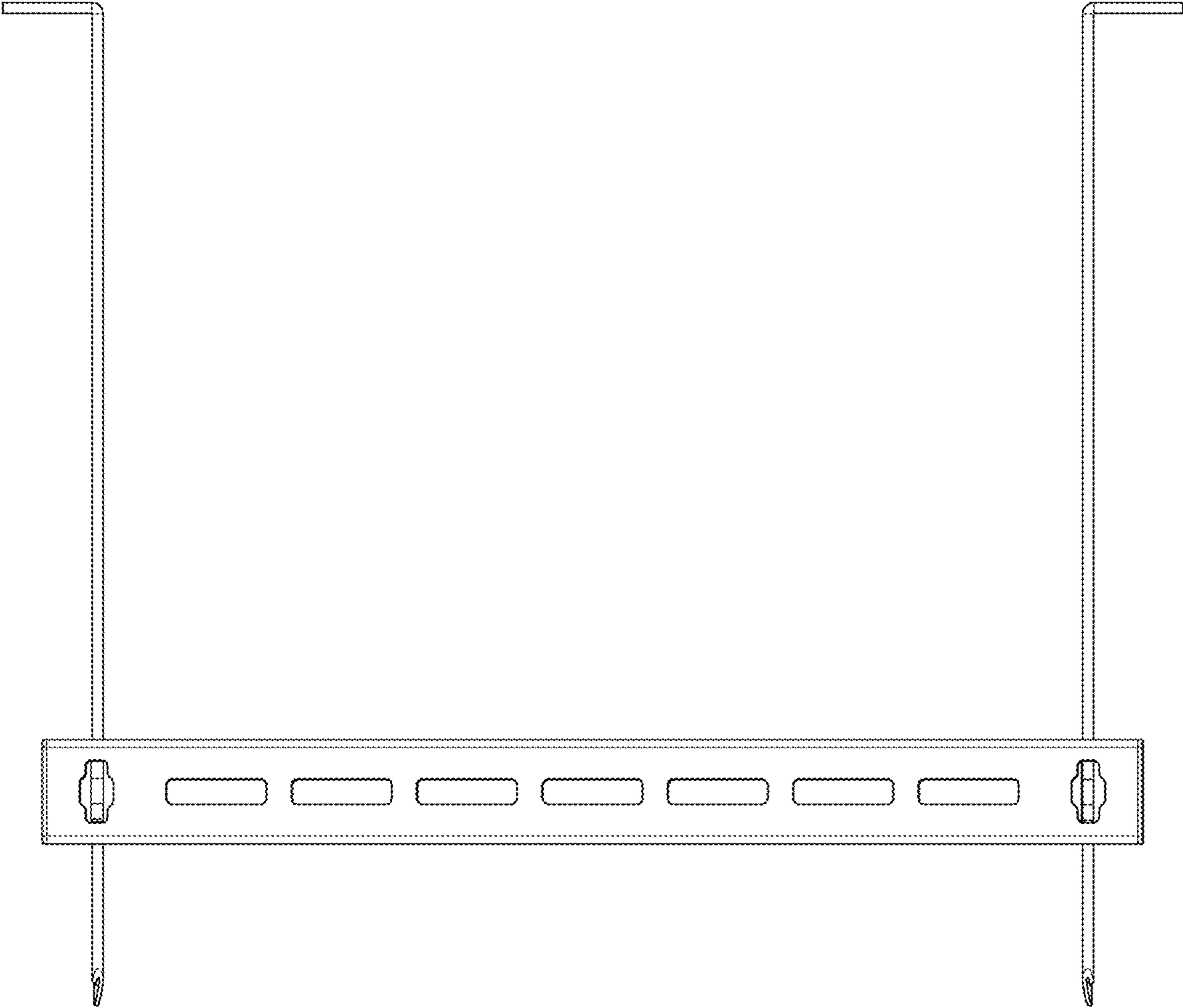


FIG. 4

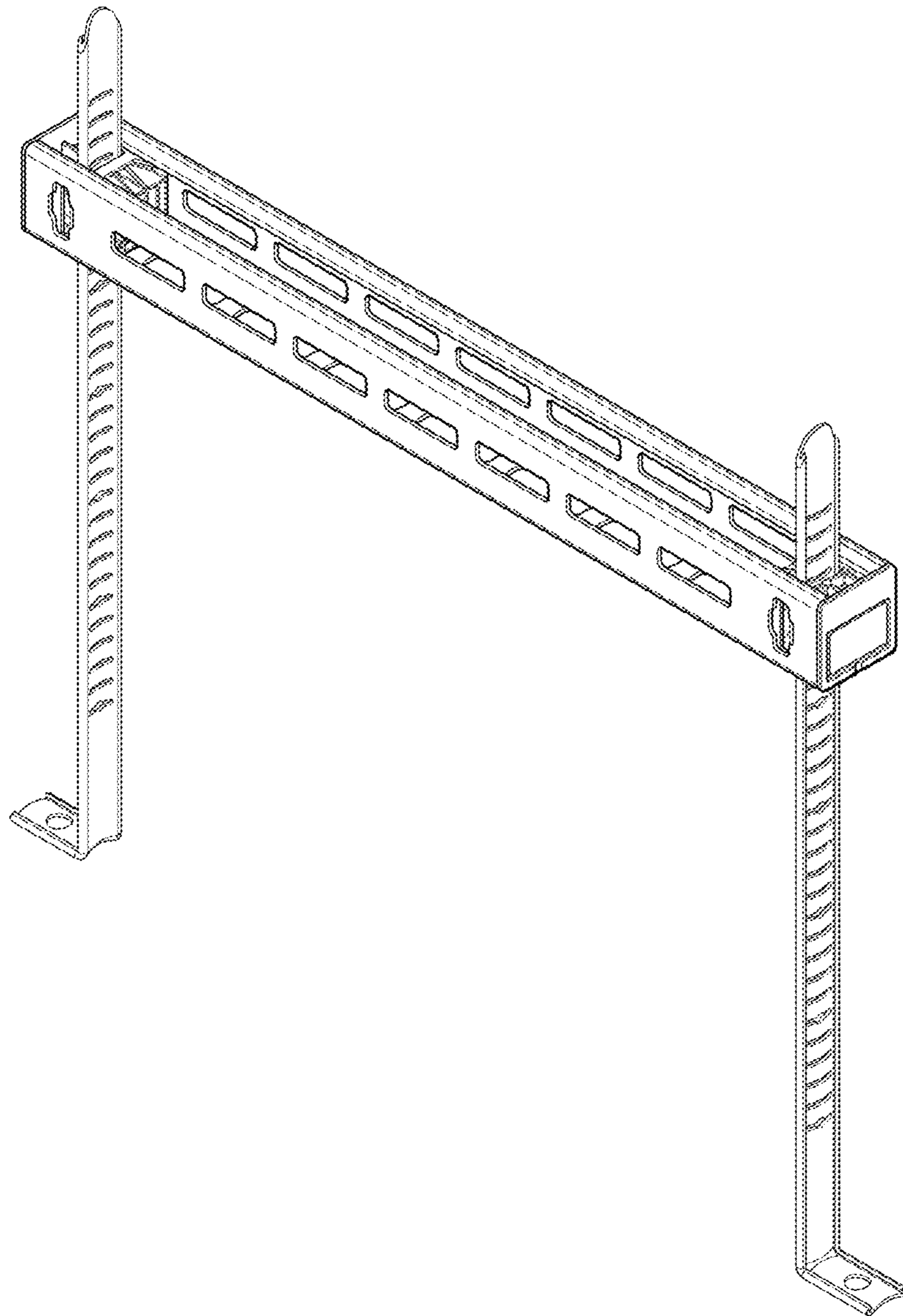


FIG. 5

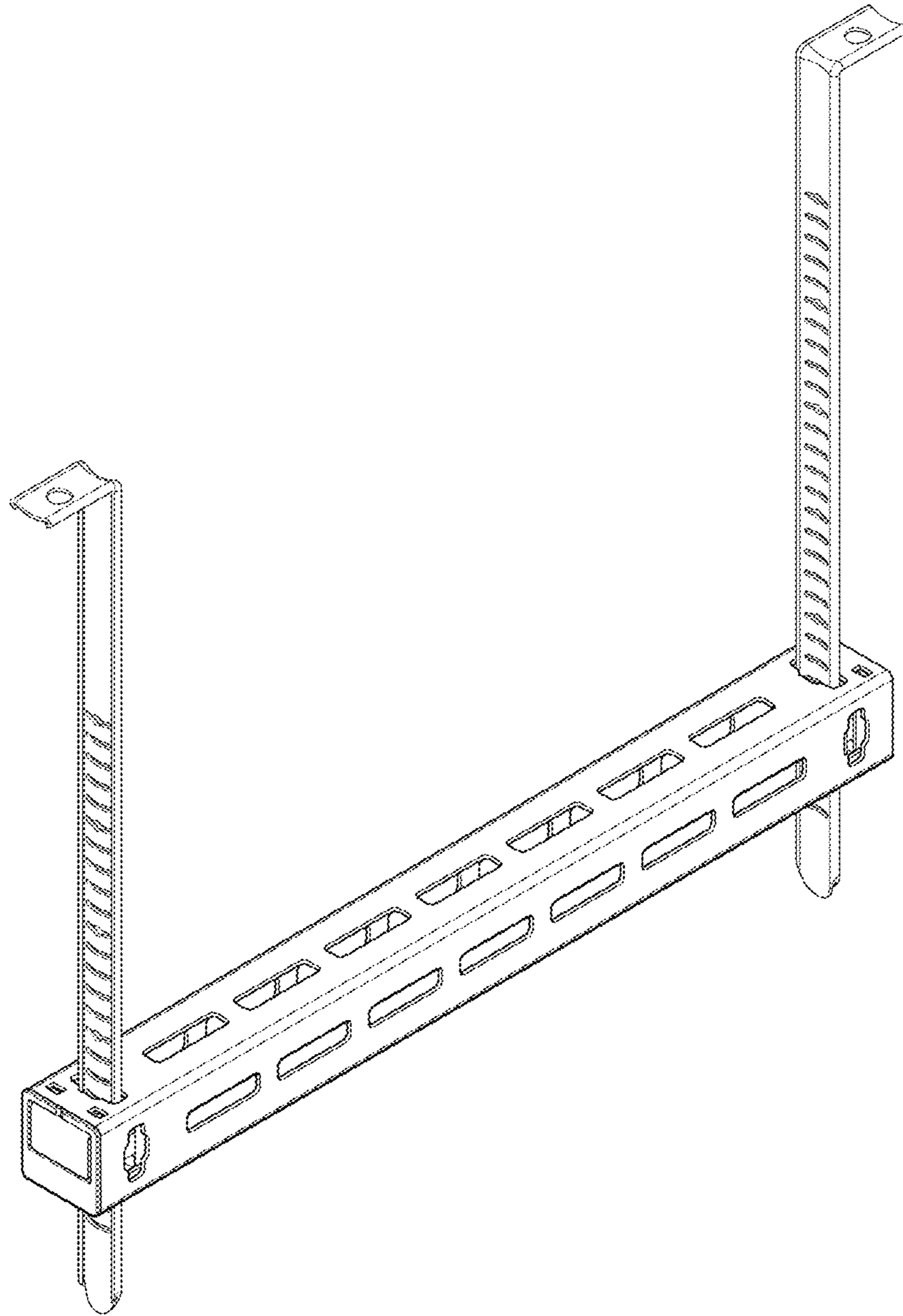


FIG. 6

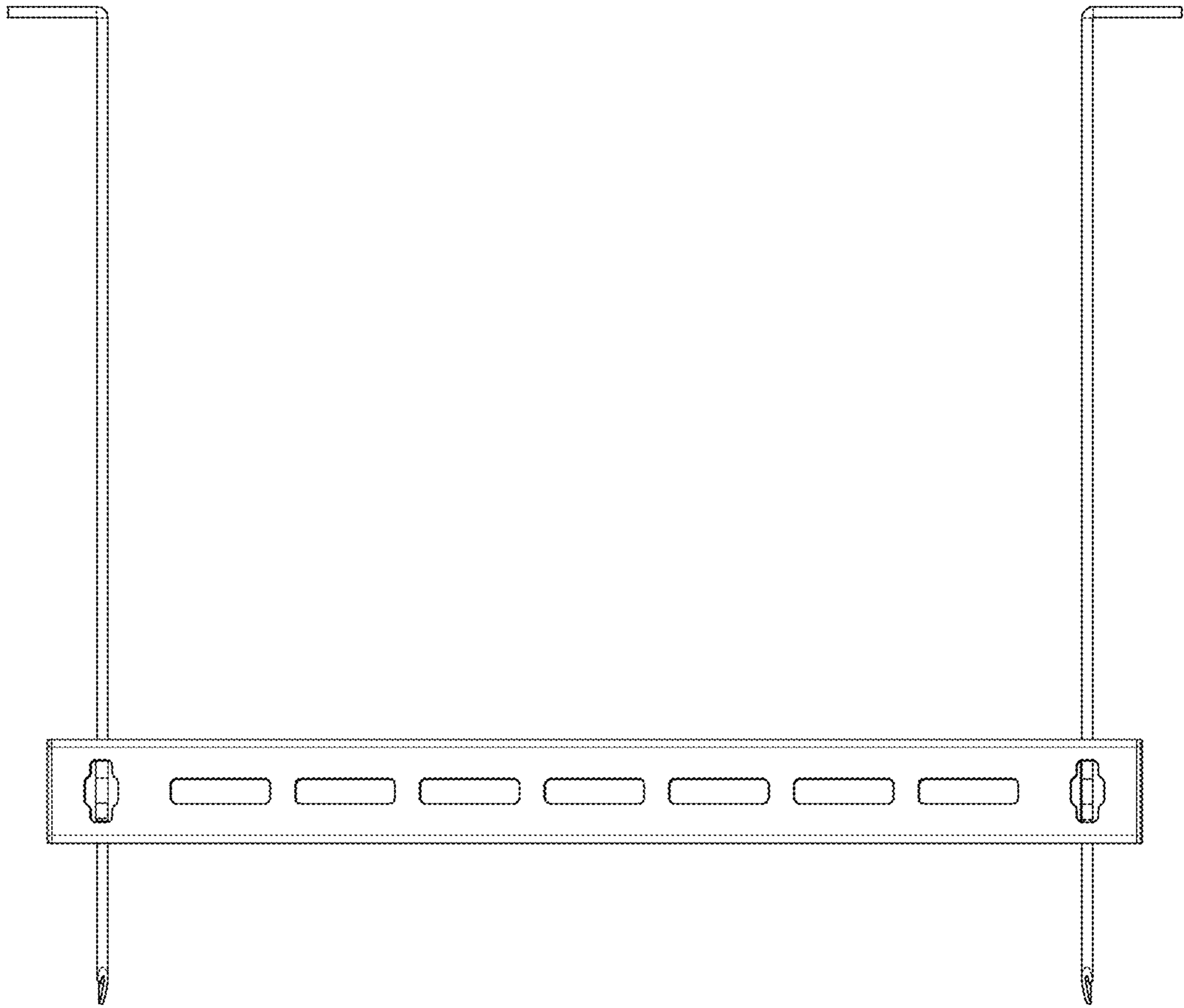


FIG. 7



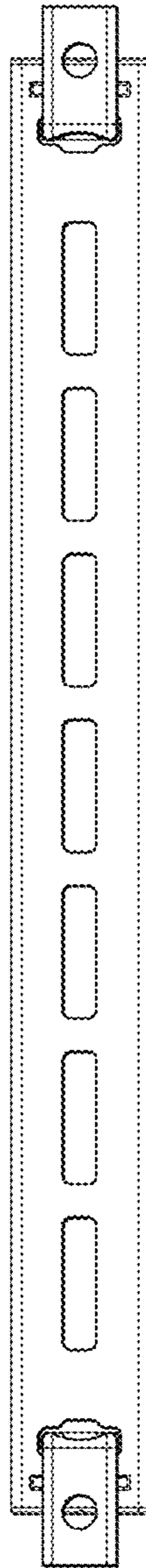


FIG. 8