



US00D986035S

(12) **United States Design Patent** (10) **Patent No.:** **US D986,035 S**  
**Pan et al.** (45) **Date of Patent:** **\*\* May 16, 2023**

- (54) **HOOK**
- (71) Applicant: **3M INNOVATIVE PROPERTIES COMPANY**, St. Paul, MN (US)
- (72) Inventors: **Angela L. Pan**, Arden Hills, MN (US); **Connor M. Pelletier-Sutton**, St. Paul, MN (US); **Craig D. Thompson**, Inver Grove Heights, MN (US)
- (73) Assignee: **3M Innovative Properties Company**, St. Paul, MN (US)
- (\*\*) Term: **15 Years**
- (21) Appl. No.: **29/746,553**
- (22) Filed: **Aug. 14, 2020**
- (51) **LOC (14) Cl.** ..... **08-11**
- (52) **U.S. Cl.**  
USPC ..... **D8/367**
- (58) **Field of Classification Search**  
USPC ..... D8/367, 354, 349, 373; D6/323;  
248/301-304, 339  
CPC ..... A47G 1/00; A47G 25/00  
See application file for complete search history.

(56) **References Cited**

U.S. PATENT DOCUMENTS

1,651,392	A *	12/1927	Honigbaum	.....	A47G 1/22 411/921
1,886,882	A *	11/1932	Huber	.....	A41F 7/00 24/698.2
4,083,525	A *	4/1978	Rath	.....	A47G 1/1613 248/224.8
D289,139	S *	4/1987	Chasen	.....	D8/367
D289,255	S *	4/1987	Chasen	.....	D8/367
D344,010	S *	2/1994	Brazis	.....	D8/367
D345,497	S *	3/1994	Miller	.....	D8/367
D361,930	S *	9/1995	Fillipp	.....	D8/367
D378,313	S *	3/1997	Doyle	.....	D8/367
D393,412	S *	4/1998	Bries	.....	D8/367

6,637,707 B1 \* 10/2003 Gates ..... A47F 5/08  
248/222.12  
D641,614 S \* 7/2011 Pontaoe ..... D8/394  
D672,223 S \* 12/2012 Thompson ..... D8/356  
(Continued)

**OTHER PUBLICATIONS**

“3M Command™ Decorating Clips 17026CLR”, [retrieved from the internet on Oct. 14, 2020], URL<[https://www.google.co.in/imgres?imgurl=https://multimedia.3m.com/mws/media/1607614P/17026clr-clop-d-rgb-jpg&imgrefurl=https://www.command.com/3M/en\\_US/command/products/~/Command-Clear-Decorating-Clips/?N%3D5924736%2B3294529207%2B3294737335%26rt%3Drud&tbnid=NqsL61smcUsWLM&vet=1&docid=kzAm06v1yL3XqM&w=400&h=400&source=sh/x/im](https://www.google.co.in/imgres?imgurl=https://multimedia.3m.com/mws/media/1607614P/17026clr-clop-d-rgb-jpg&imgrefurl=https://www.command.com/3M/en_US/command/products/~/Command-Clear-Decorating-Clips/?N%3D5924736%2B3294529207%2B3294737335%26rt%3Drud&tbnid=NqsL61smcUsWLM&vet=1&docid=kzAm06v1yL3XqM&w=400&h=400&source=sh/x/im)>, 1 page.

(Continued)

*Primary Examiner* — Cynthia R Underwood  
(74) *Attorney, Agent, or Firm* — Ann K. Gallagher

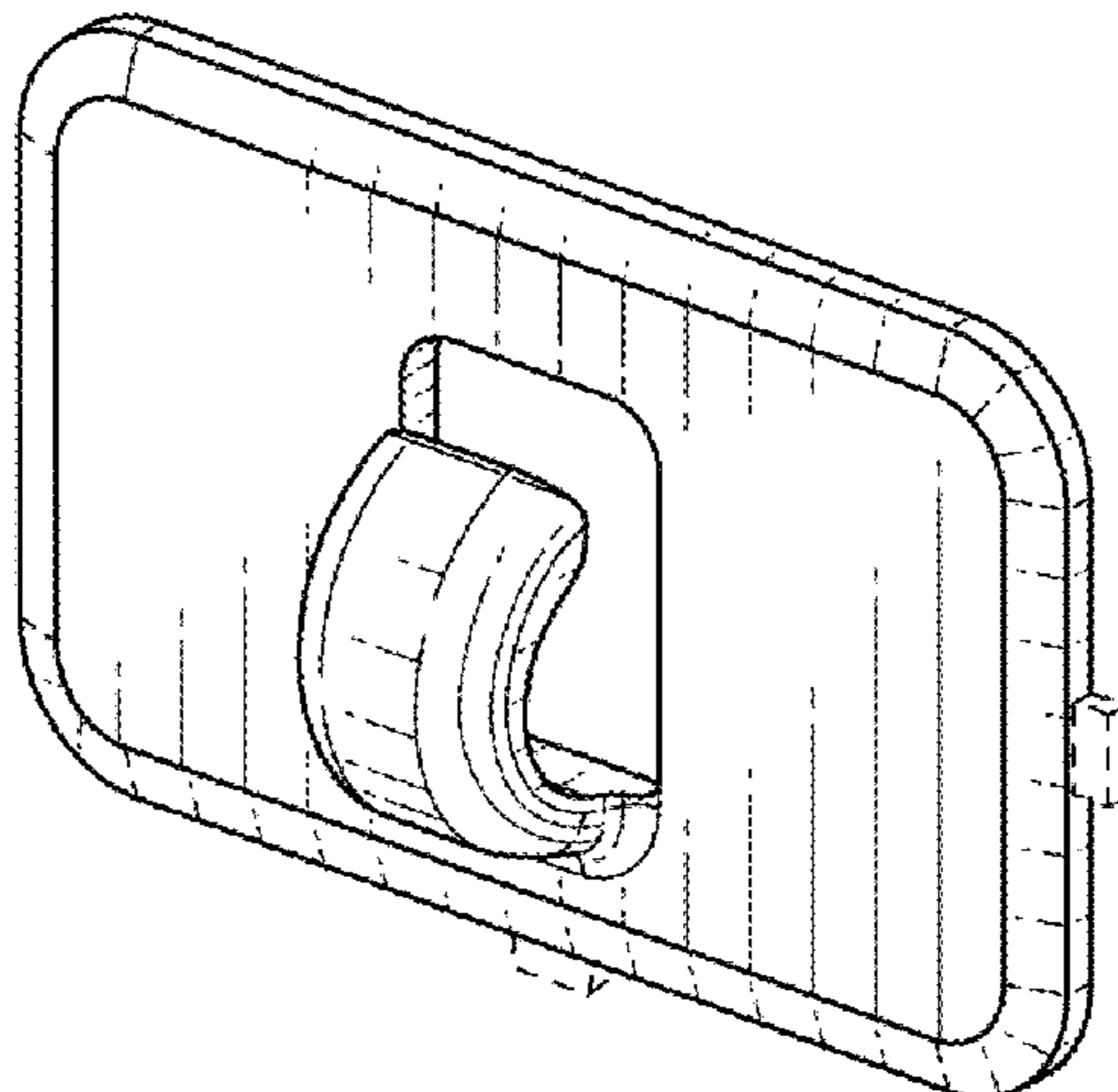
(57) **CLAIM**

The ornamental design for a hook, as shown and described.

**DESCRIPTION**

FIG. 1 is a perspective view of a first embodiment of a hook of the present disclosure;  
FIG. 2 is a front view thereof;  
FIG. 3 is a rear view thereof;  
FIG. 4 is a left side view thereof;  
FIG. 5 is a right side view thereof;  
FIG. 6 is a top view thereof;  
FIG. 7 is a bottom view thereof;  
FIG. 8 is a perspective view of the hook of the present disclosure shown in an environment of use;  
FIG. 9 is a front view thereof;  
FIG. 10 is a rear view thereof;  
FIG. 11 is a left side view thereof;  
FIG. 12 is a right side view thereof;  
FIG. 13 is a top view thereof; and,  
FIG. 14 is a bottom view thereof.

(Continued)



The broken lines depict portions of the hook that form no part of the claim and an environment of use.

**1 Claim, 6 Drawing Sheets**

(56)

**References Cited**

U.S. PATENT DOCUMENTS

D682,663	S	*	5/2013	Evon	.....	D8/367
D715,624	S	*	10/2014	Thompson	.....	D8/367
D773,289	S	*	12/2016	Green	.....	D8/372
D836,421	S	*	12/2018	Luscombe	.....	D8/354
D842,081	S	*	3/2019	Thompson	.....	D8/367
D842,082	S	*	3/2019	Thompson	.....	D8/367
10,221,883	B2	*	3/2019	Demsky	.....	F16M 13/022
D946,386	S	*	3/2022	Davenport	.....	D8/371
D951,758	S	*	5/2022	Luscombe	.....	D8/367
2017/0152988	A1	*	6/2017	Tseng	.....	F16B 47/003

OTHER PUBLICATIONS

“3M Command™, General Purpose Hooks”, [retrieved from the internet on Sep. 17, 2020], URL<[https://encrypted-tbn2.gstatic.com/shopping?q=tbn:ANd9GcQ0pqs0fVjnuUfiKCO0wtTi\\_11dPM6jGi7ysXI5PFhDIDfnx95pNw&usqp=CAC](https://encrypted-tbn2.gstatic.com/shopping?q=tbn:ANd9GcQ0pqs0fVjnuUfiKCO0wtTi_11dPM6jGi7ysXI5PFhDIDfnx95pNw&usqp=CAC)>, 1 page.

\* cited by examiner

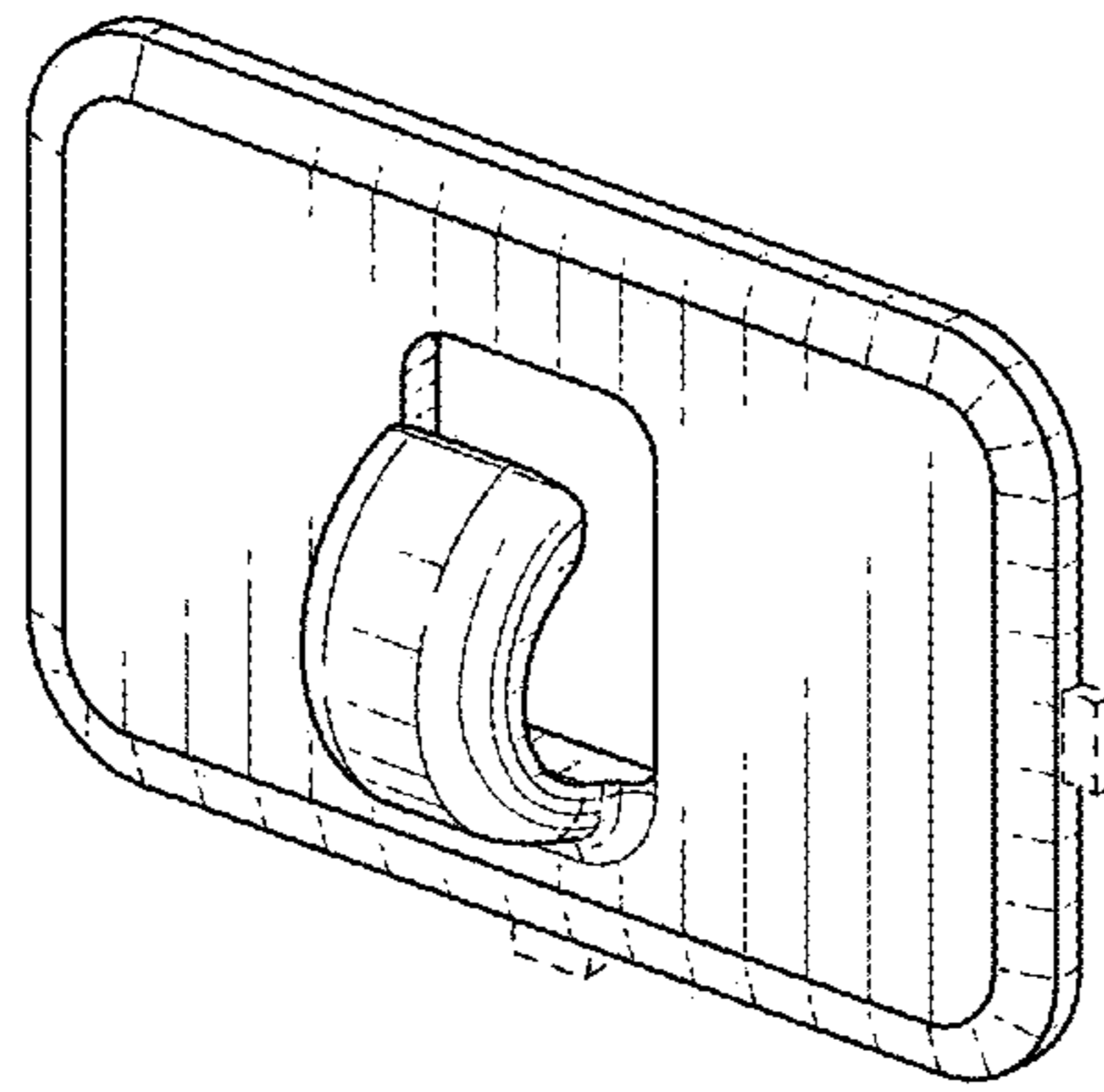


FIG. 1

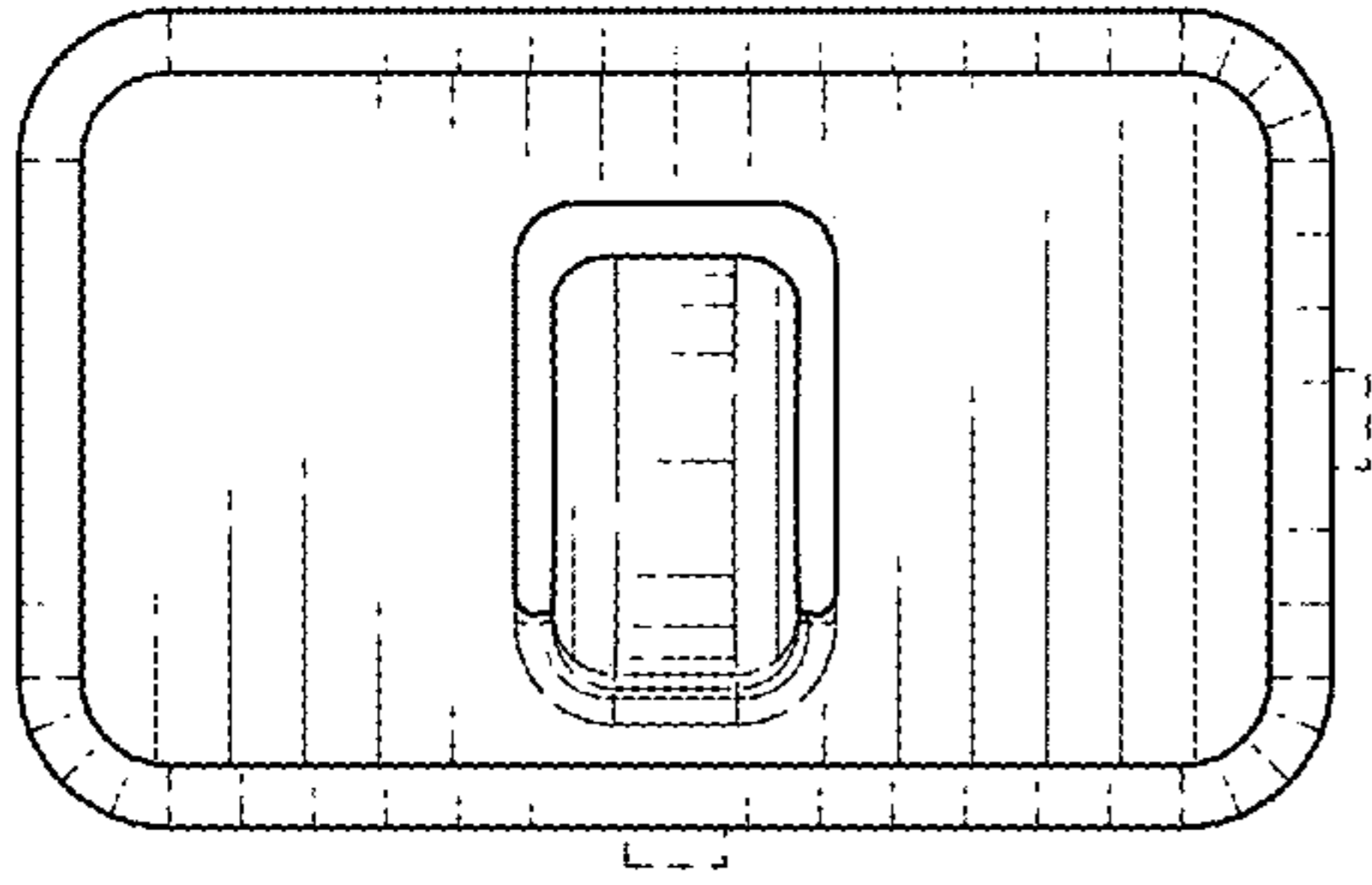


FIG. 2

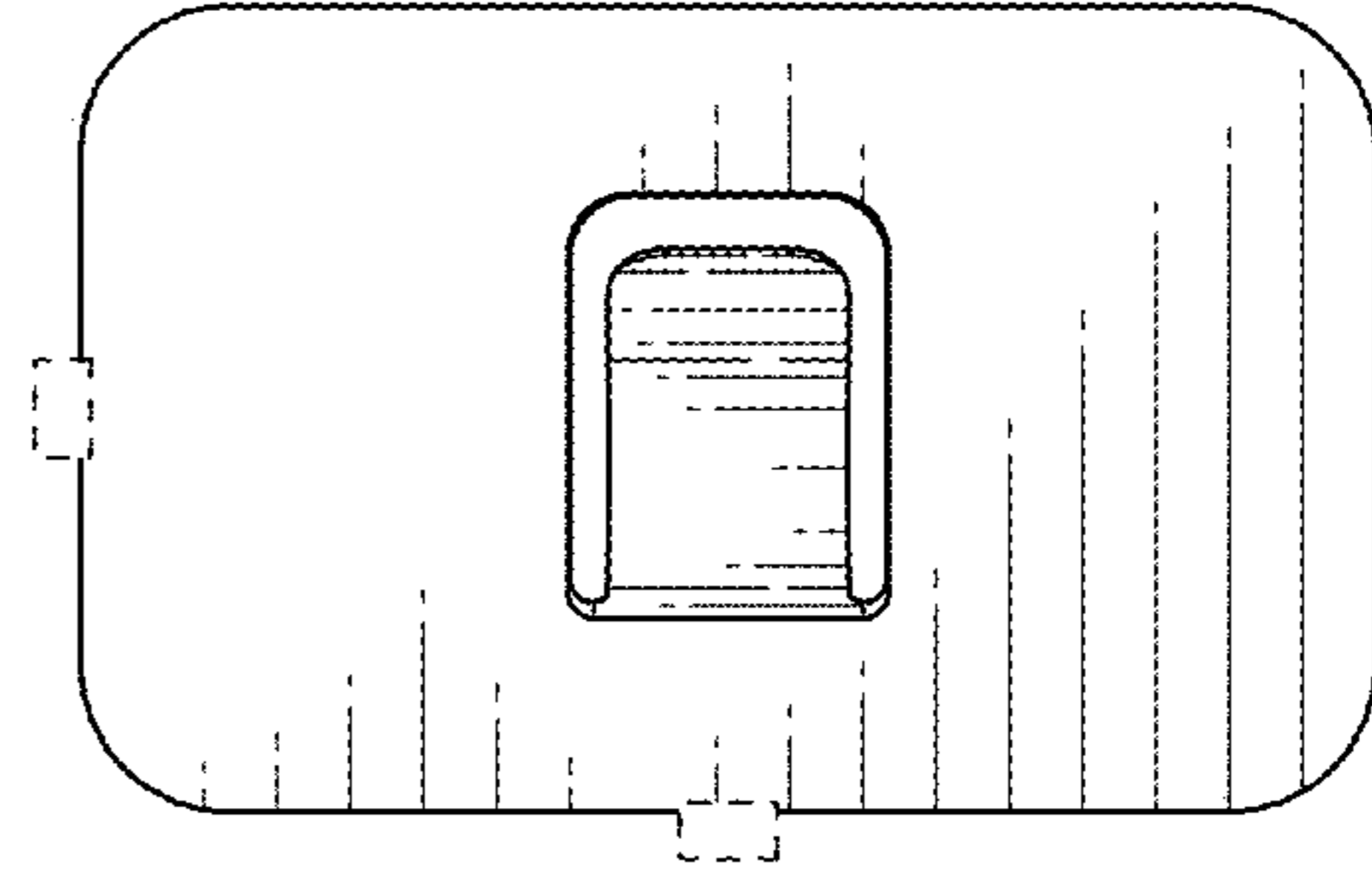


FIG. 3

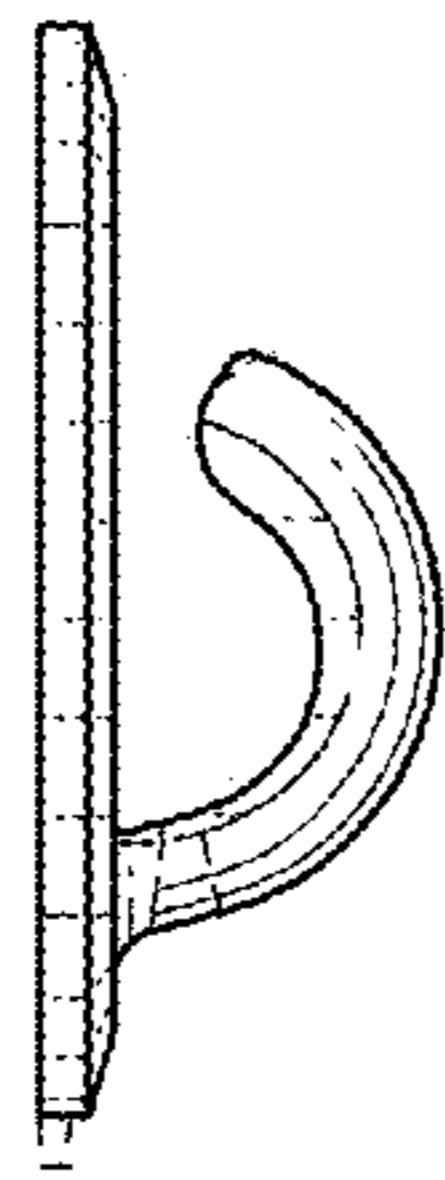


FIG. 4

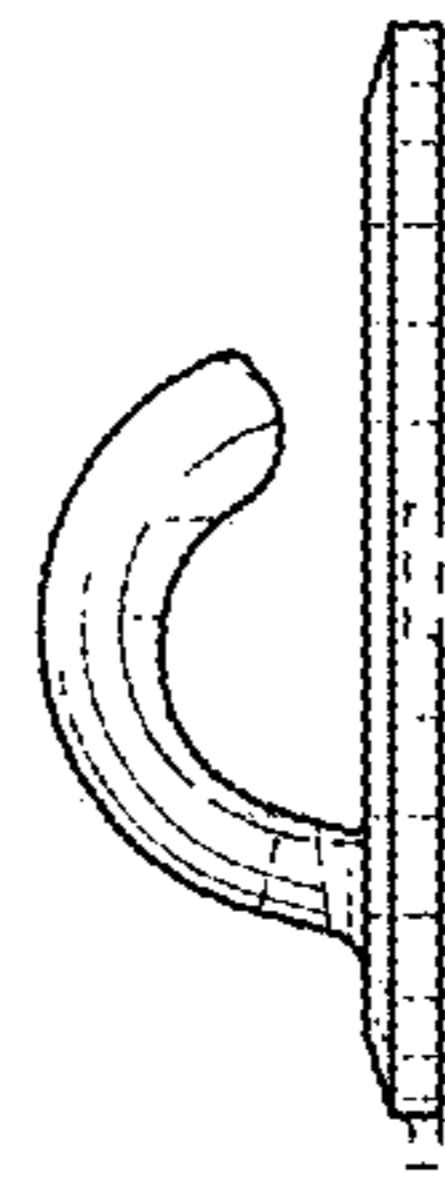


FIG. 5

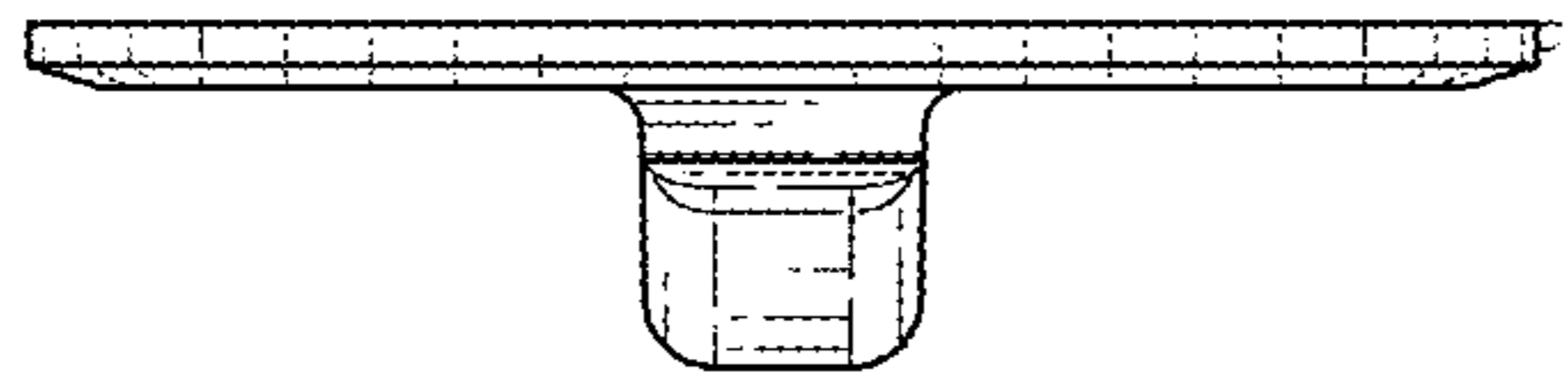


FIG. 6

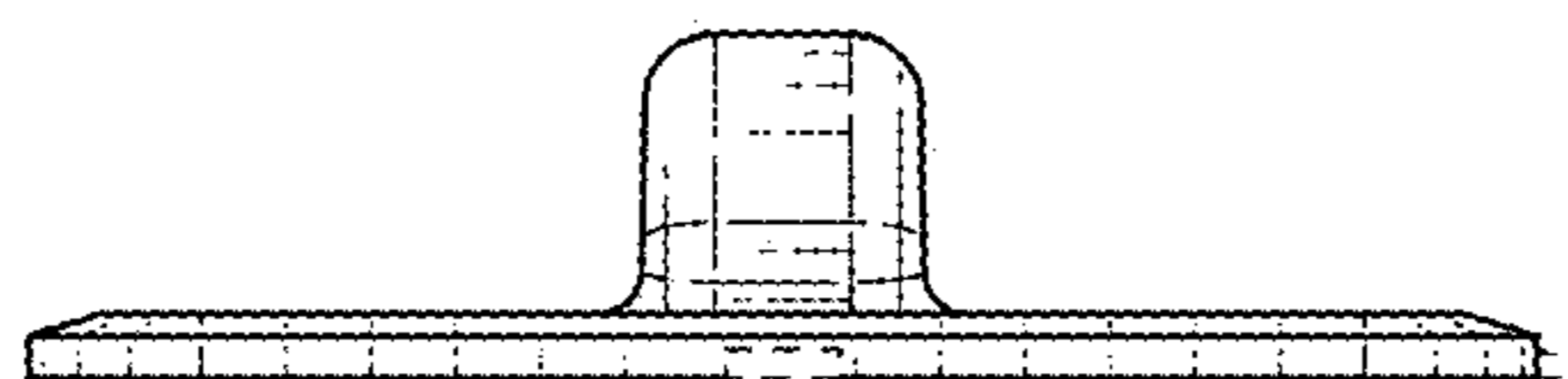


FIG. 7



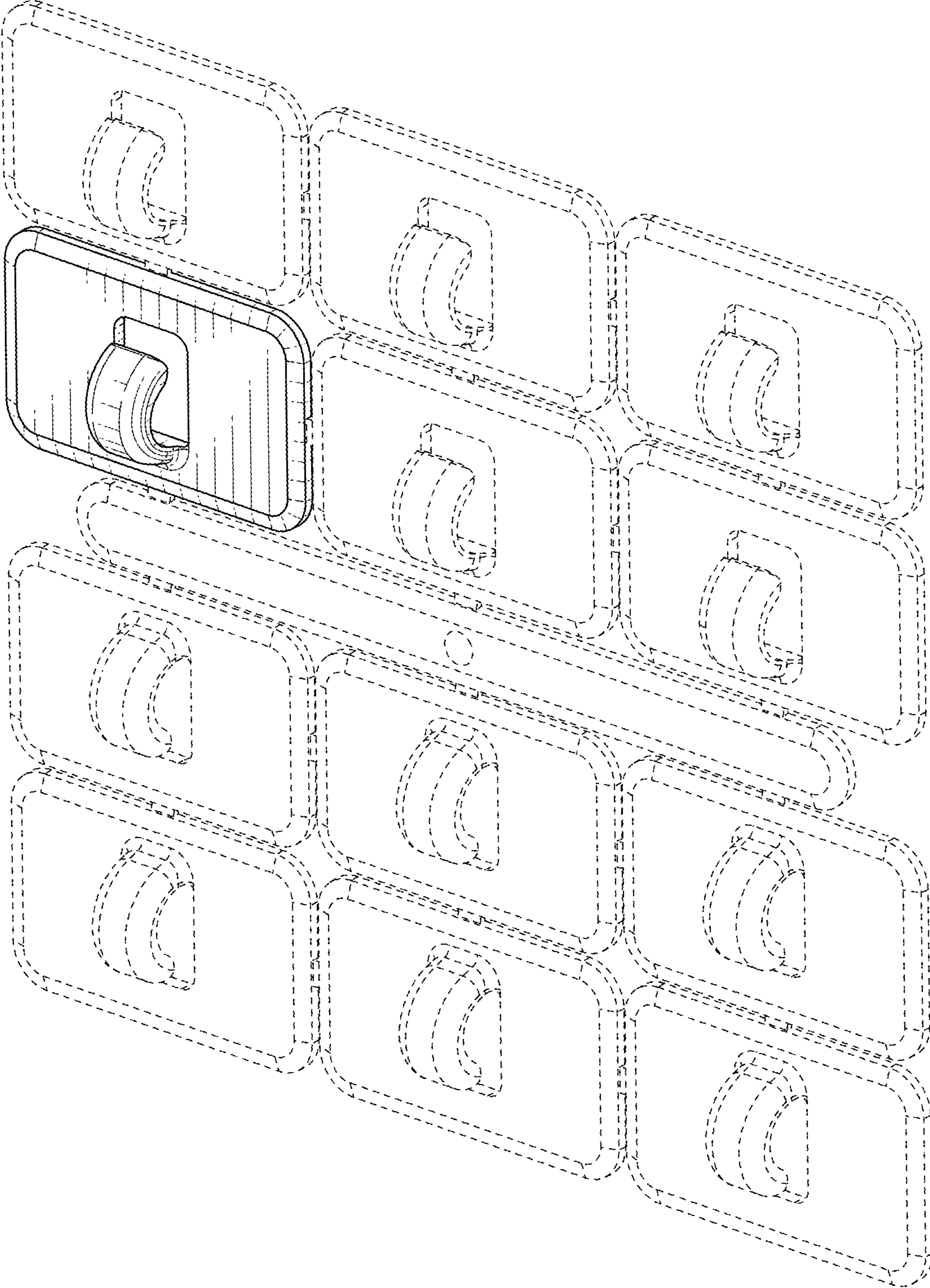


FIG. 8

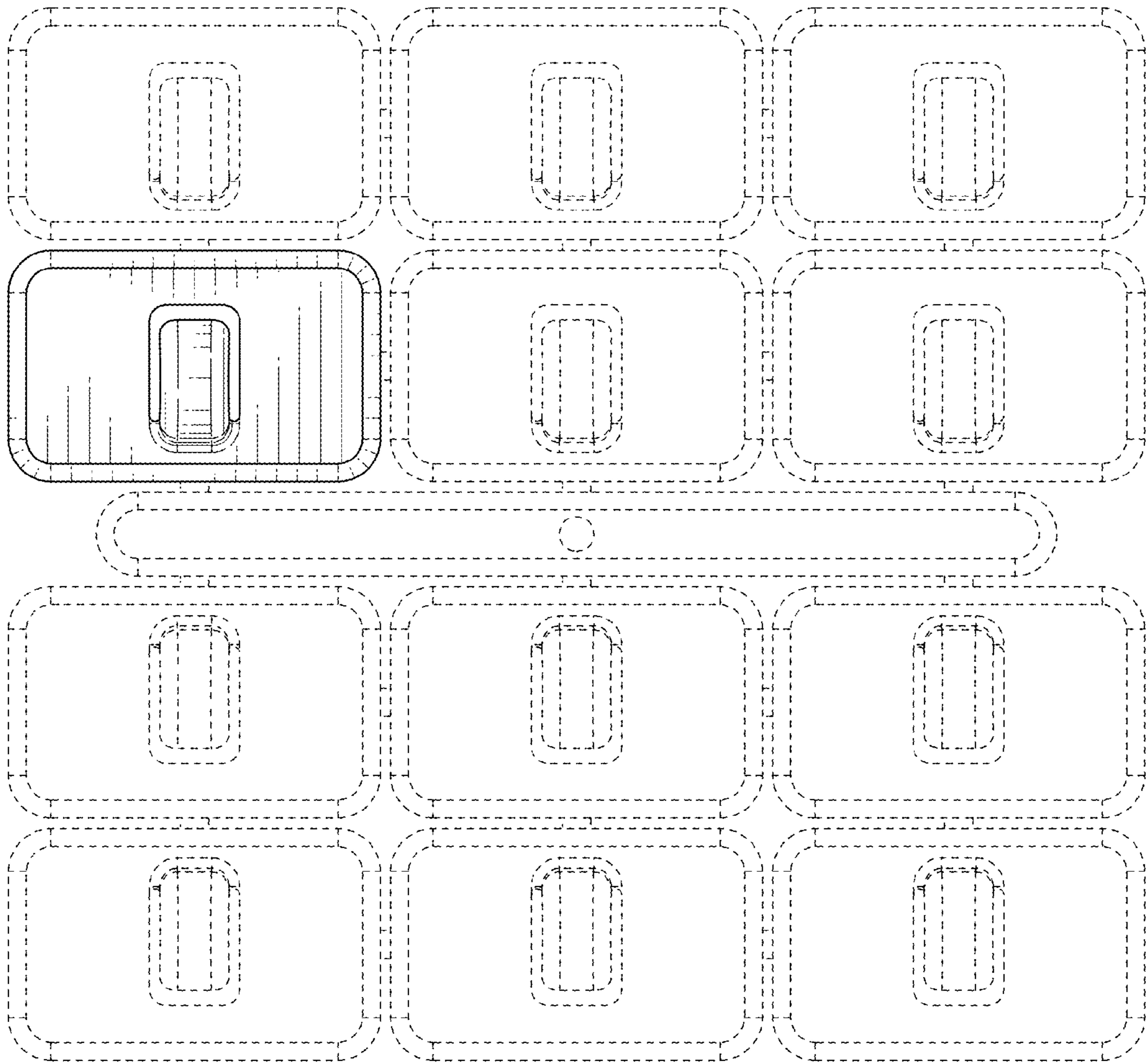


FIG. 9

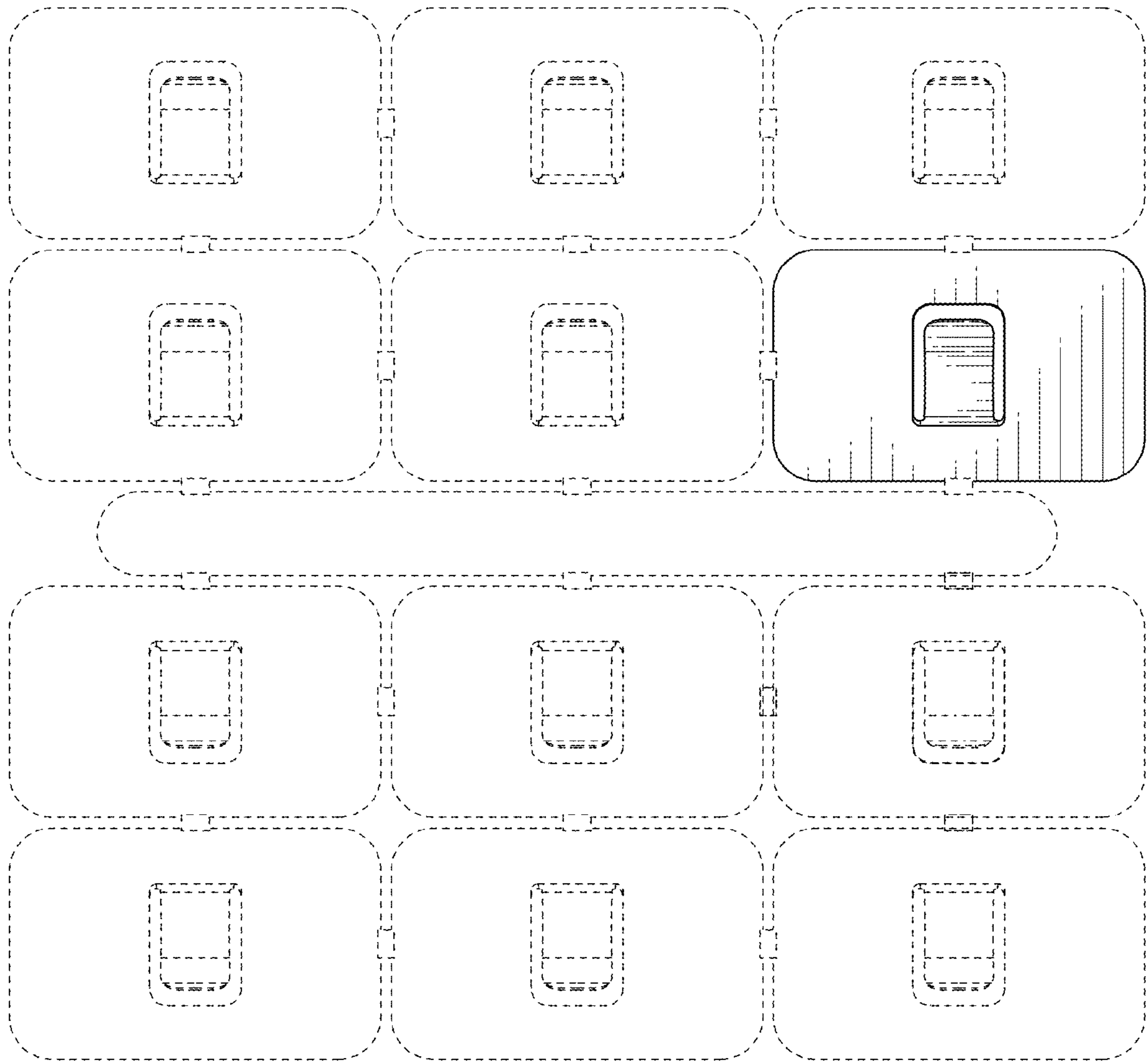


FIG. 10

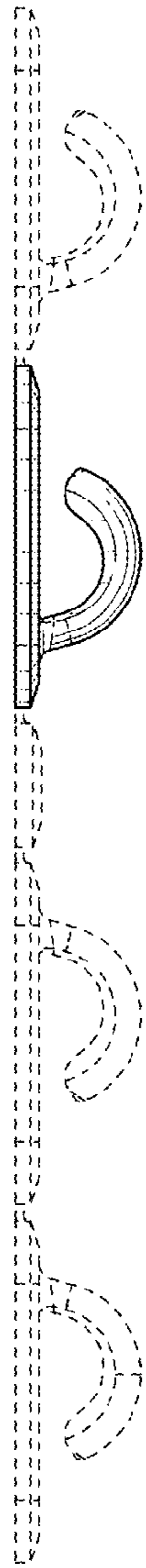


FIG. 11

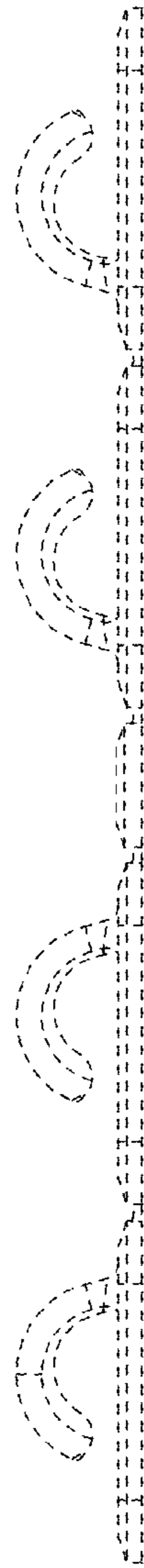


FIG. 12



FIG. 13

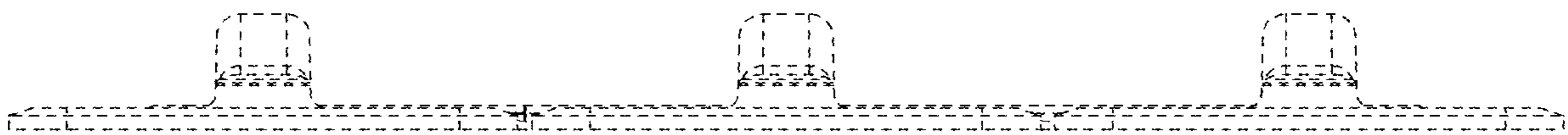


FIG. 14