



US00D986034S

(12) **United States Design Patent** (10) **Patent No.:** **US D986,034 S**  
**Rogers et al.** (45) **Date of Patent:** **\*\* May 16, 2023**

(54) **HOOK**  
(71) Applicant: **YETI Coolers, LLC**, Austin, TX (US)  
(72) Inventors: **Kyle Edward Rogers**, Austin, TX (US); **Calvin Tabor**, Austin, TX (US); **Vivian Lai**, Xiamen (CN)

4,306,434 A 12/1981 Drake  
D262,498 S 1/1982 Beilis  
D266,374 S 10/1982 Drake  
D337,200 S 7/1993 Keller  
D391,146 S 2/1998 Cutler  
D402,459 S 12/1998 Steinmacher  
D415,343 S 10/1999 Maddox  
(Continued)

(73) Assignee: **YETI Coolers, LLC**, Austin, TX (US)

**FOREIGN PATENT DOCUMENTS**

(\*\*) Term: **15 Years**

CN 204157799 U 2/2015  
CN 303714372 6/2016

(21) Appl. No.: **29/726,733**

(Continued)

(22) Filed: **Mar. 5, 2020**

**OTHER PUBLICATIONS**

(51) **LOC (14) Cl.** ..... **08-11**

(52) **U.S. Cl.**  
USPC ..... **D8/367**

Hides and Stitches, Key Hook, Published date unknown, but prior to the filing date of the present application, site visited Feb. 18, 2020, available from the Internet URL: <https://hidesandstitches.com/product/key-hook>.

(Continued)

(58) **Field of Classification Search**  
USPC ..... D8/367, 354, 349, 356; D12/162; 224/248, 268, 904; 248/62  
CPC ... A47G 29/083; F16B 45/00; A63B 21/0557; B60P 7/0823

See application file for complete search history.

*Primary Examiner* — Cynthia R Underwood  
(74) *Attorney, Agent, or Firm* — Banner & Witcoff, Ltd.

(56) **References Cited**

(57) **CLAIM**

**U.S. PATENT DOCUMENTS**

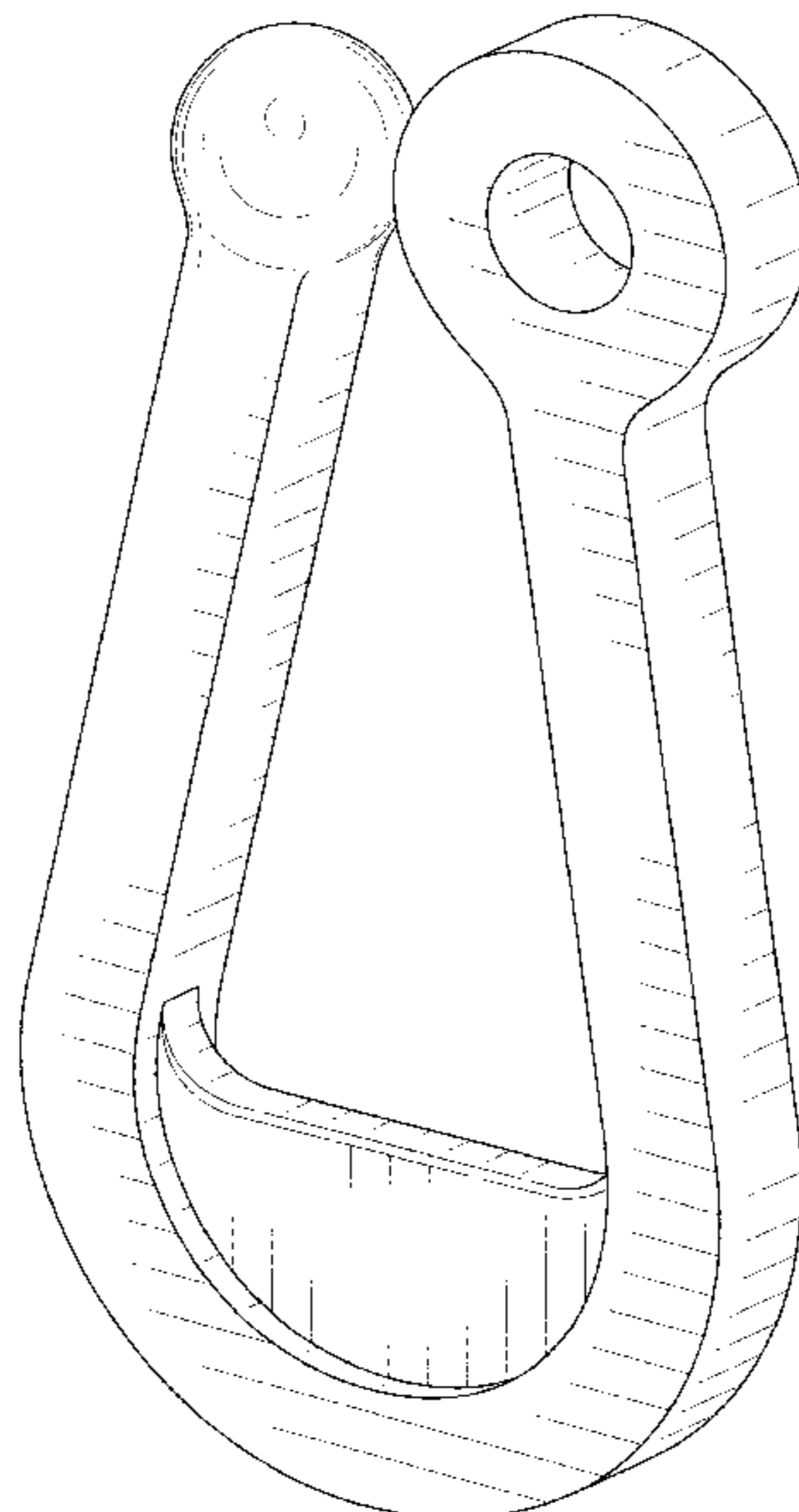
The ornamental design for a hook, as shown and described.

529,577 A	11/1894	Aiguier	
1,553,445 A	9/1925	Holmes	
1,567,851 A	12/1925	Lorber	
1,974,499 A	9/1934	Luce	
2,601,711 A	7/1952	Legat	
2,633,733 A	4/1953	Boden et al.	
2,969,668 A	1/1961	Aitchison	
D195,299 S *	5/1963	Margulis	..... D8/371
3,290,911 A	12/1966	Segal	
3,444,599 A	5/1969	Amon	
3,685,778 A *	8/1972	Berns	..... B60P 7/0823 24/580.11
3,799,416 A *	3/1974	Schmaltz	..... A47G 25/1457 294/142
4,277,963 A	7/1981	Hellwig	

**DESCRIPTION**

FIG. 1 is a top, front, right perspective view of a hook showing our new design;  
FIG. 2 is a top, rear, left perspective view thereof;  
FIG. 3 is a front view thereof;  
FIG. 4 is a rear view thereof;  
FIG. 5 is a left side view thereof;  
FIG. 6 is a right side view thereof;  
FIG. 7 is a top view thereof; and,  
FIG. 8 is a bottom view thereof.

**1 Claim, 6 Drawing Sheets**



(56)

References Cited

U.S. PATENT DOCUMENTS

6,454,147 B1 9/2002 Marks  
 D601,410 S 10/2009 Lee  
 D613,585 S \* 4/2010 Haddock ..... D8/367  
 D619,448 S 7/2010 Shepardson  
 D646,151 S \* 10/2011 Potts ..... D8/367  
 D674,590 S 1/2013 Busch  
 D694,613 S \* 12/2013 Miles ..... D8/367  
 D754,964 S 5/2016 Hernandez  
 D757,513 S 5/2016 Heins  
 D759,755 S 6/2016 Busch  
 9,433,261 B1 \* 9/2016 Miles ..... A44B 13/0029  
 D781,571 S 3/2017 Moerer  
 D817,748 S \* 5/2018 Wang ..... D8/367  
 D844,782 S \* 4/2019 Arora ..... D24/130  
 D849,516 S \* 5/2019 Johnson ..... D8/367  
 D858,261 S \* 9/2019 Gong ..... D8/367  
 D865,494 S \* 11/2019 Adelman ..... D8/367  
 D873,120 S \* 1/2020 Couvion ..... D8/367  
 D893,986 S \* 8/2020 Adelman ..... D8/367  
 D898,548 S \* 10/2020 Elliott ..... D8/372  
 D902,019 S \* 11/2020 Ryan ..... D8/381  
 D902,020 S \* 11/2020 Ryan ..... D8/381  
 D919,419 S \* 5/2021 Wei ..... D8/367  
 D922,179 S \* 6/2021 Wu ..... D8/367  
 D926,480 S \* 8/2021 Hughes ..... D6/315  
 D926,540 S \* 8/2021 Ressler ..... D8/367  
 D930,448 S \* 9/2021 Parker ..... D8/14  
 D942,840 S \* 2/2022 Adelman ..... D8/367

D956,530 S \* 7/2022 Chen ..... D8/367  
 D957,919 S \* 7/2022 Bredl ..... D8/367  
 D957,920 S \* 7/2022 Bredl ..... D8/367  
 2006/0162138 A1 \* 7/2006 Kimura ..... B66C 1/36  
 24/599.6  
 2015/0196111 A1 7/2015 Lee et al.

FOREIGN PATENT DOCUMENTS

CN 305150789 5/2019  
 CN 305405132 10/2019  
 CN 305405163 10/2019  
 GB 336707 A 10/1930

OTHER PUBLICATIONS

Eric Heins, Kickstarter, Coder Leather Bottlehook, Aug. 20, 2015, site visited Feb. 18, 2020, available from the Internet URL: <https://www.kickstader.com/projects/830872749/coder-leather-bottlehook>.  
 Mukama, Hangrey Kin No. 6 Key Hook, Published date unknown, but prior to the filing date of the present application, site visited Feb. 18, 2020, available from Internet URL: <https://www.mukama.com/en/hangrey-kin-no.6-key-hook>.  
 Gearmoose, The 20 Best Botle Openers, Published Date unknown; but prior to the filing date o the present application, site visited Feb. 18, 2020, available from the Internet URL; <https://gearmoose.com/best-bottle-openers>.

\* cited by examiner

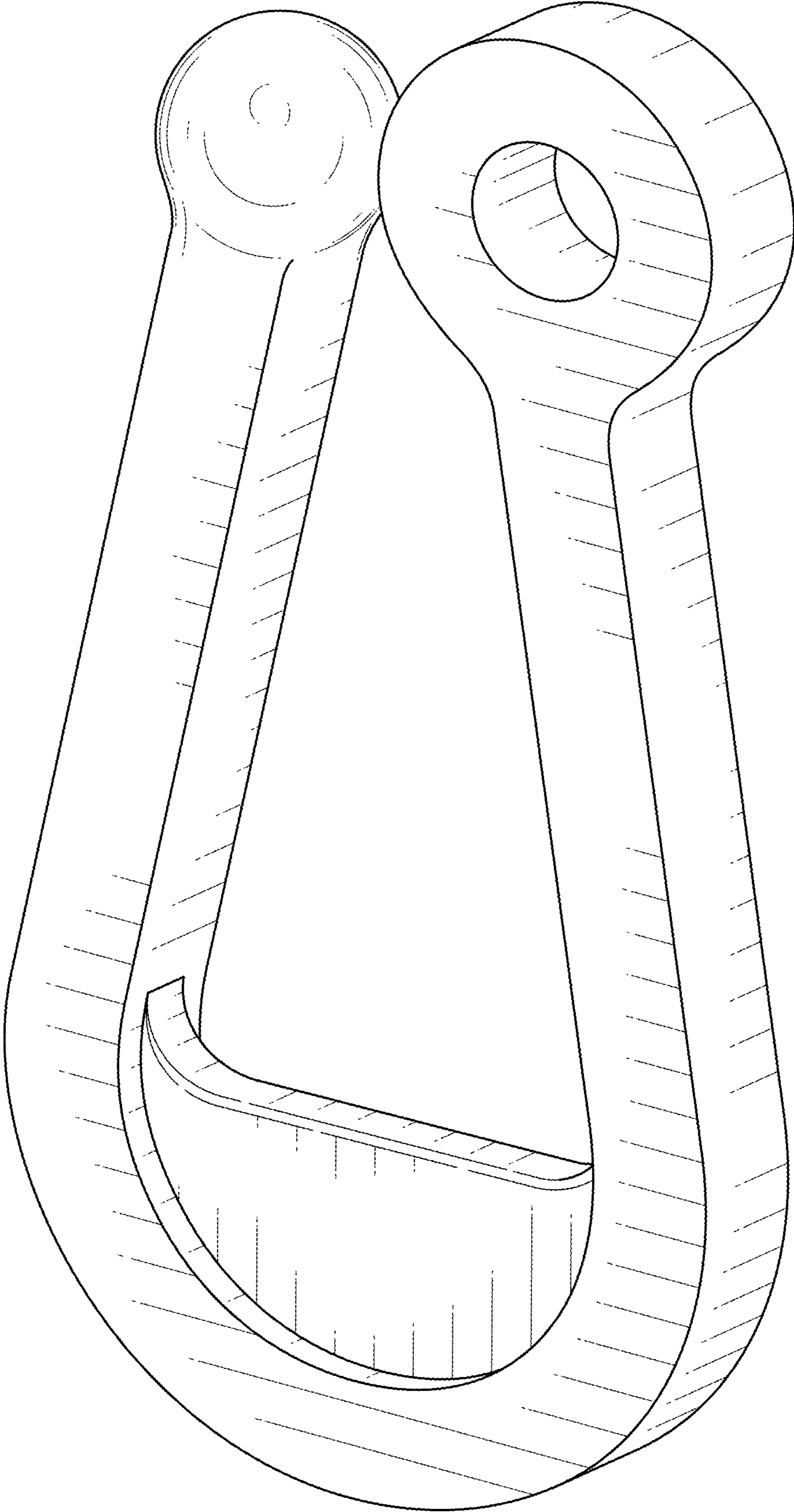


FIG. 1

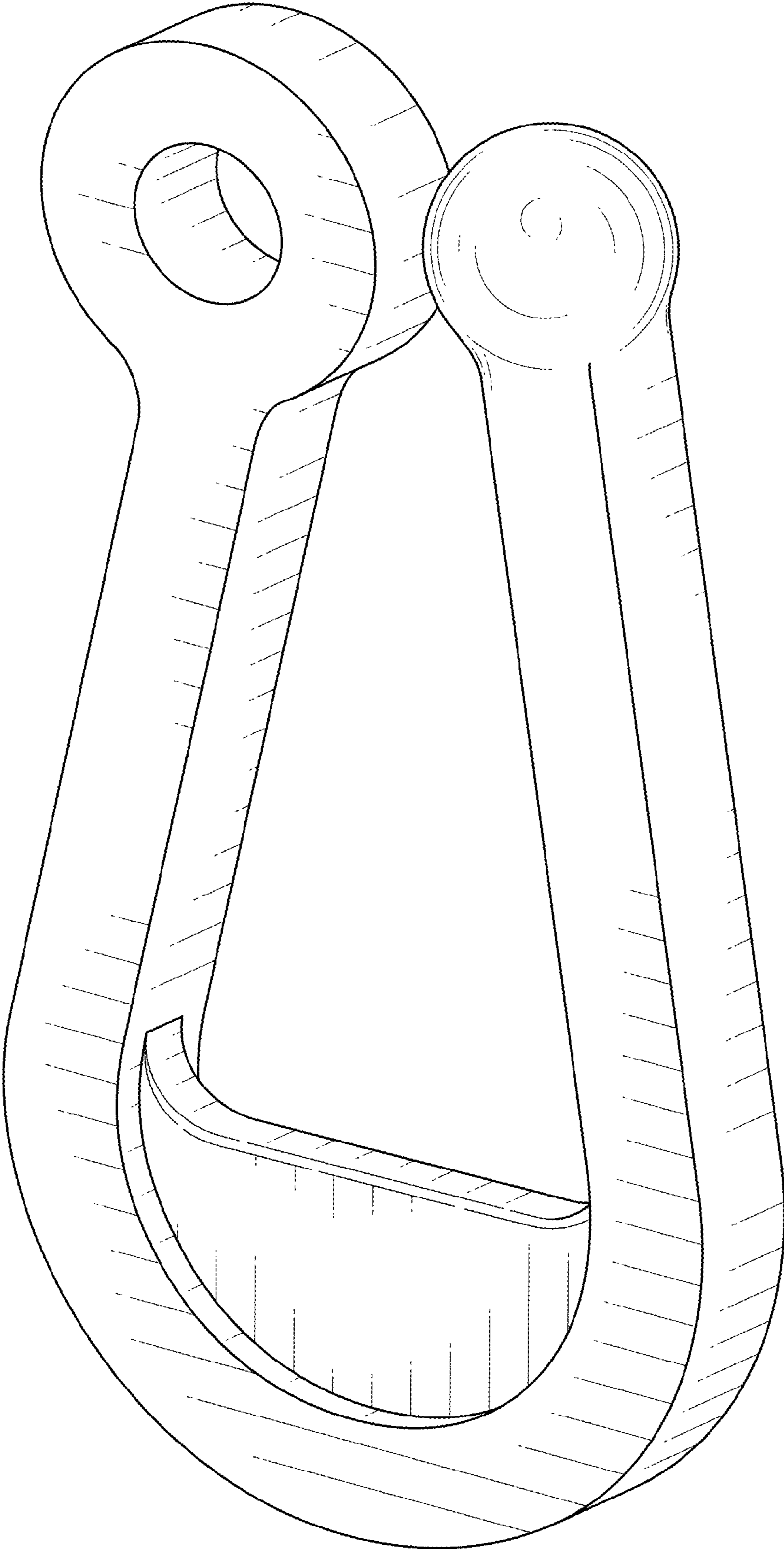


FIG. 2



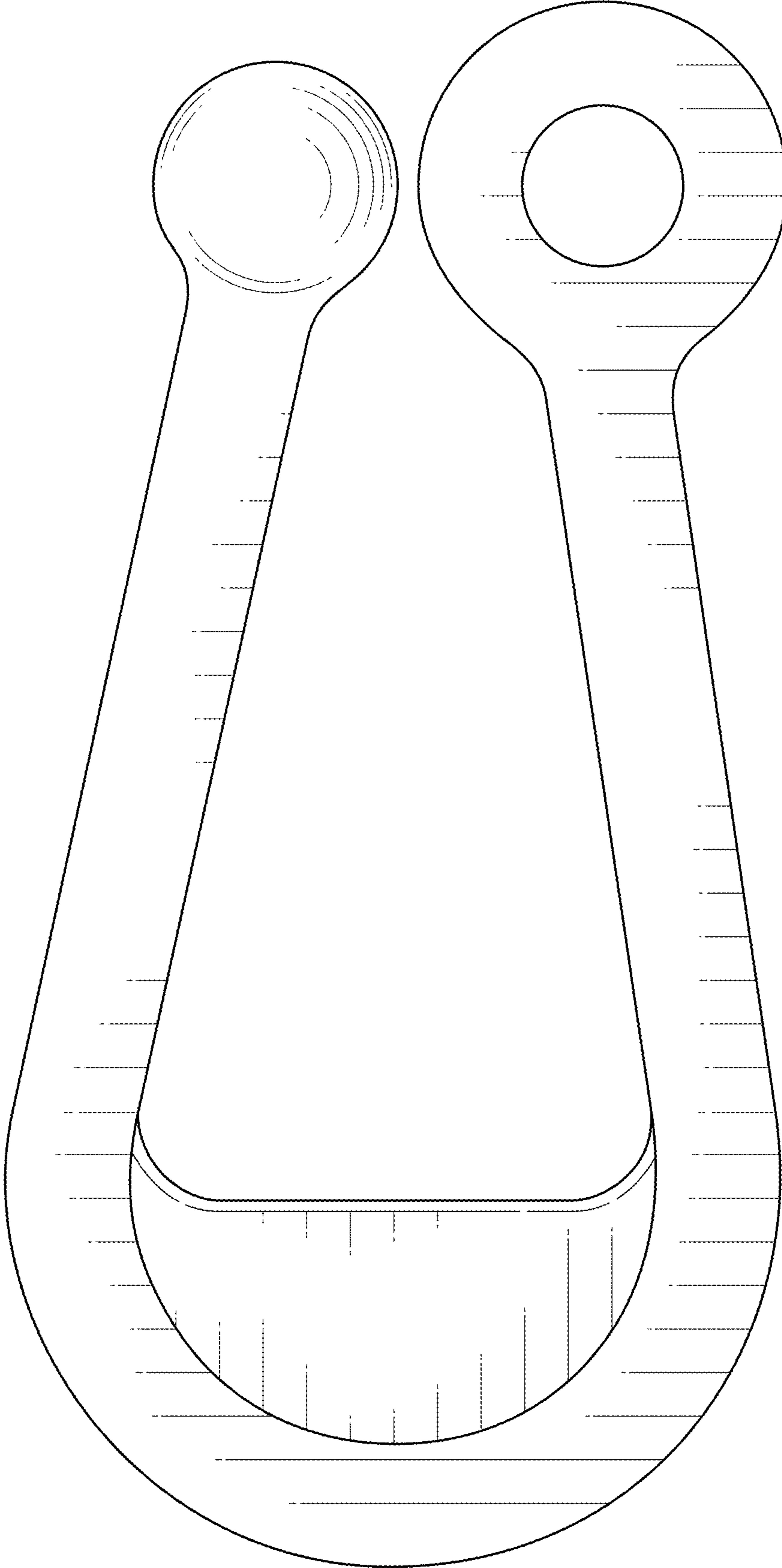


FIG. 3

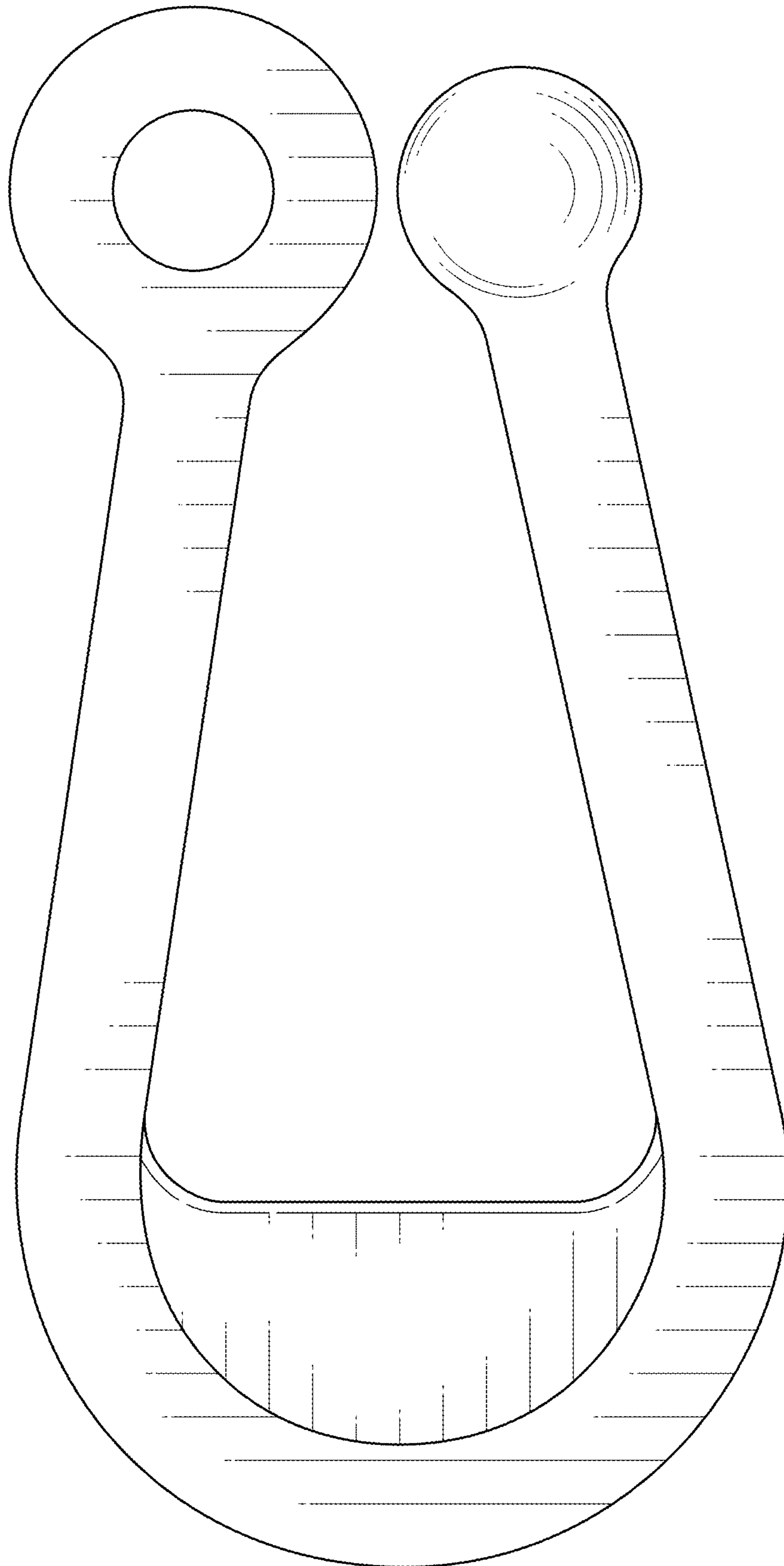


FIG. 4

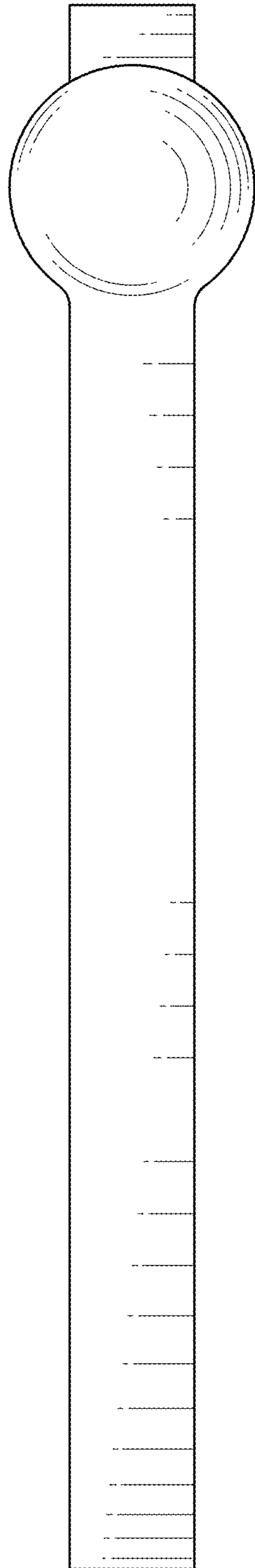


FIG. 5

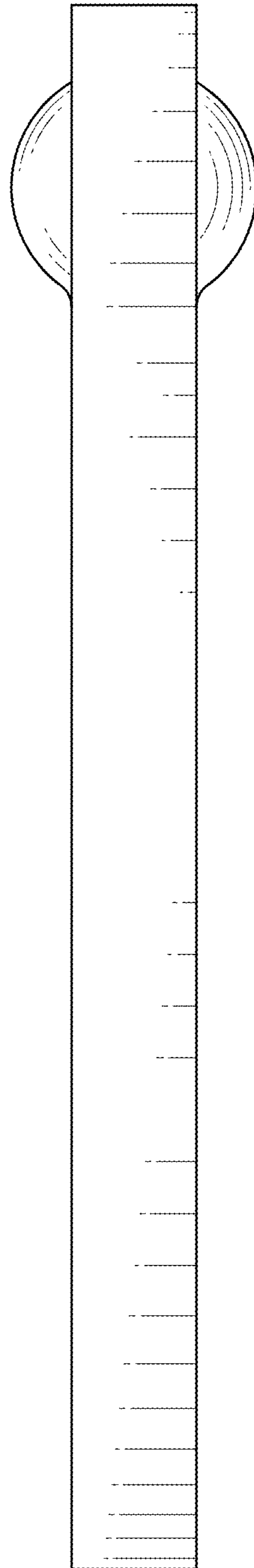


FIG. 6

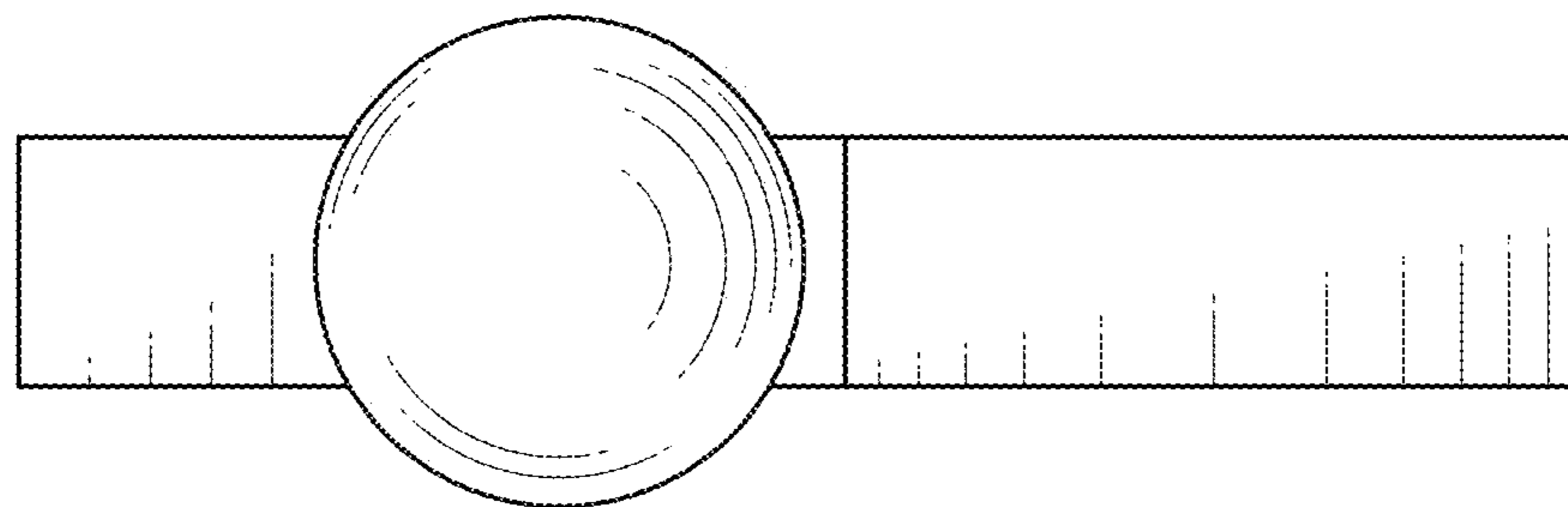


FIG. 7

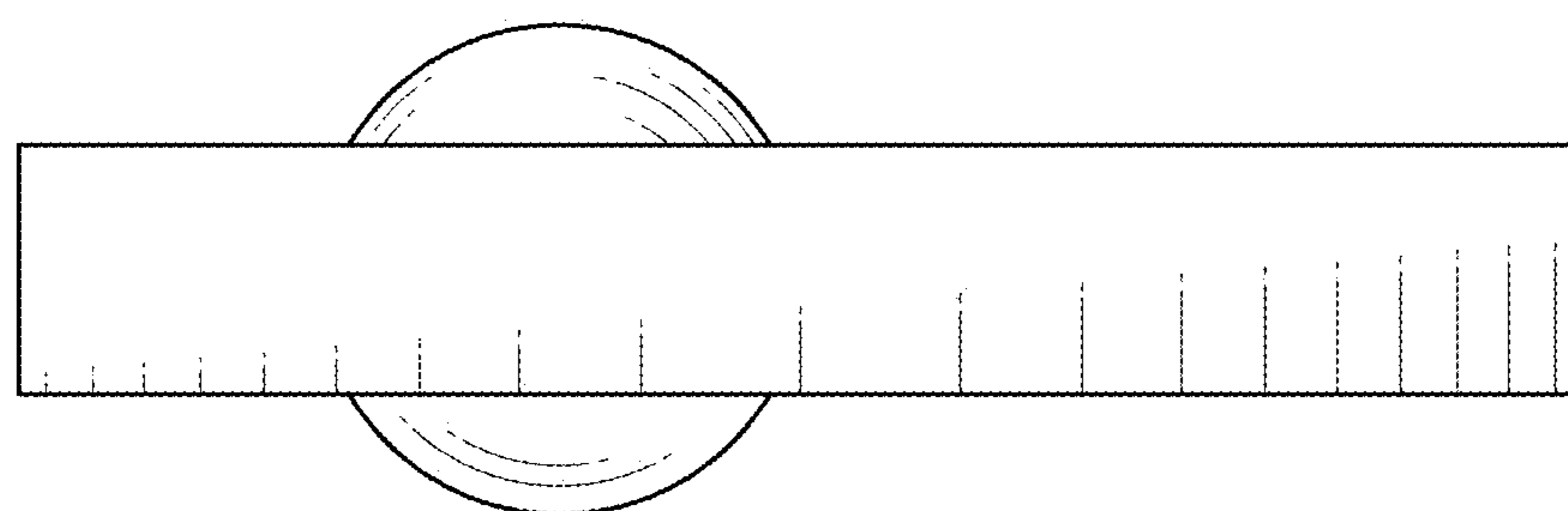


FIG. 8