



US00D986033S

(12) **United States Design Patent**
Renouf

(10) **Patent No.:** **US D986,033 S**

(45) **Date of Patent:** **** May 16, 2023**

(54) **WINDER**

(71) Applicant: **Kevin Renouf**, Auckland (NZ)

(72) Inventor: **Kevin Renouf**, Auckland (NZ)

(**) Term: **15 Years**

(21) Appl. No.: **29/802,699**

(22) Filed: **Aug. 6, 2021**

(30) **Foreign Application Priority Data**

Feb. 10, 2021 (NZ) 428535

(51) **LOC (14) Cl.** **08-11**

(52) **U.S. Cl.**
USPC **D8/358**

(58) **Field of Classification Search**
USPC D8/359, 356, 358; 242/106, 86, 60, 67;
D15/5, 146, 147, 148; D34/32, 33, 35
CPC B66D 3/00; B66D 2700/00; E05D 11/082;
E05D 5/12; E05D 1/02; B64G 1/222;
B60N 2/01508
See application file for complete search history.

(56) **References Cited**

U.S. PATENT DOCUMENTS

- 3,954,226 A * 5/1976 Pickering B60P 7/0846
242/395
- D246,785 S * 12/1977 Abe D15/66
- 4,266,740 A * 5/1981 Ramos B65H 18/10
242/537
- 4,390,141 A * 6/1983 Webster B60P 7/0846
242/395
- D295,949 S * 5/1988 Ferrell D8/358
- D306,415 S * 3/1990 Godbersen D12/106
- D307,239 S * 4/1990 Topping D8/359
- D310,207 S * 8/1990 Sheps D8/359
- D323,483 S * 1/1992 Patten D34/33
- D326,048 S * 5/1992 Adler D8/359

- 5,152,158 A * 10/1992 Wirth G01B 7/042
D8/359
- D390,094 S * 2/1998 Pamplin D12/400
- D396,629 S * 8/1998 Huggins D8/359
- 5,791,844 A * 8/1998 Anderson B60P 7/083
410/101
- 5,961,061 A * 10/1999 Stanley B65H 54/585
242/395
- D415,952 S * 11/1999 Camilleri D8/358
- 5,975,454 A * 11/1999 Potter B65H 54/585
242/405
- D435,763 S * 1/2001 Potter D8/359
- D442,065 S * 5/2001 Rohde D8/356
- D460,613 S * 7/2002 Stafford D3/24
- 6,729,604 B1 * 5/2004 Claycomb B60P 7/0846
24/69 CT
- 7,059,588 B2 * 6/2006 Goulet B60P 7/0846
254/323
- 7,278,808 B1 * 10/2007 Sisk, Sr. B60P 7/0853
279/144
- D581,123 S * 11/2008 Henderson D34/12
- D584,471 S * 1/2009 Diedericks D34/21

(Continued)

Primary Examiner — Eliza Z Harvey

Assistant Examiner — Kayla Marie Bennett

(74) *Attorney, Agent, or Firm* — JCIP; Joseph G. Chu;
Jeremy I. Maynard

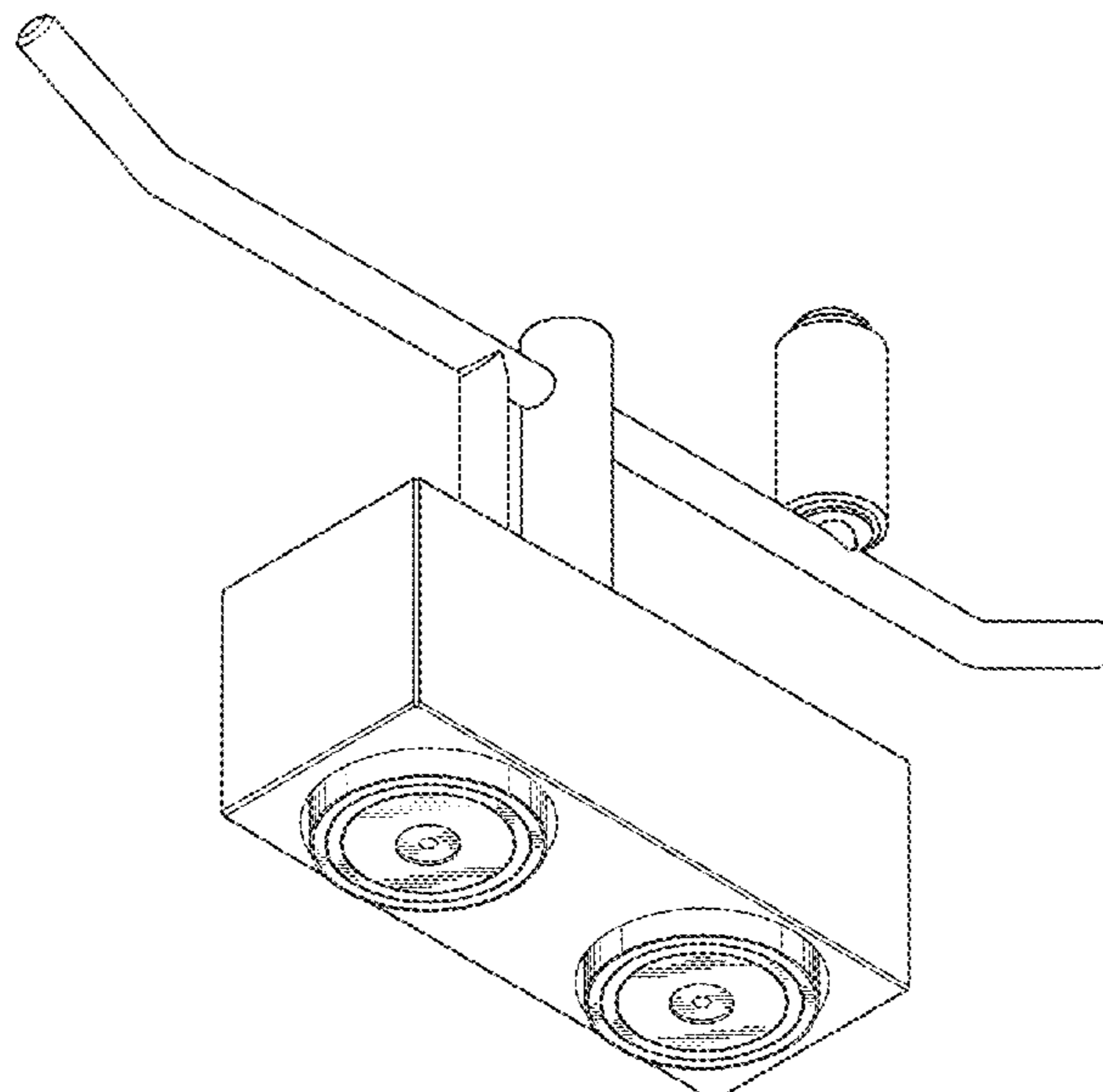
(57) **CLAIM**

The ornamental design for a winder, as shown and described.

DESCRIPTION

FIG. 1 is a bottom, rear perspective view of a winder;
FIG. 2 is a front view thereof;
FIG. 3 is a rear view thereof;
FIG. 4 is a right side view thereof;
FIG. 5 is a left side view thereof;
FIG. 6 is a top view thereof; and,
FIG. 7 is a bottom view thereof.

1 Claim, 7 Drawing Sheets



(56)

References Cited

U.S. PATENT DOCUMENTS

7,766,271 B1 * 8/2010 Confoey B60P 7/0846
 242/395
 8,567,707 B2 * 10/2013 Bensen, IV B65H 75/146
 242/419.9
 D763,665 S * 8/2016 Hallare D8/356
 D786,657 S * 5/2017 Woodrow D8/356
 10,124,713 B2 * 11/2018 Evans B65H 54/585
 D845,727 S * 4/2019 Haynes D8/44
 D902,698 S * 11/2020 Walterscheid D8/356
 D918,020 S * 5/2021 Kennedy D8/356
 D950,360 S * 5/2022 Wu D8/354
 2004/0007701 A1 * 1/2004 Goulet B66D 1/08
 254/213
 2006/0022104 A1 * 2/2006 Treat B60P 7/0846
 248/300
 2012/0145820 A1 * 6/2012 White B60P 7/0846
 242/532.6
 2012/0273607 A1 * 11/2012 Bensen, IV B65H 54/20
 242/603
 2020/0377003 A1 * 12/2020 Egigian B60P 7/0846
 2022/0363503 A1 * 11/2022 Jones B65H 18/10

* cited by examiner

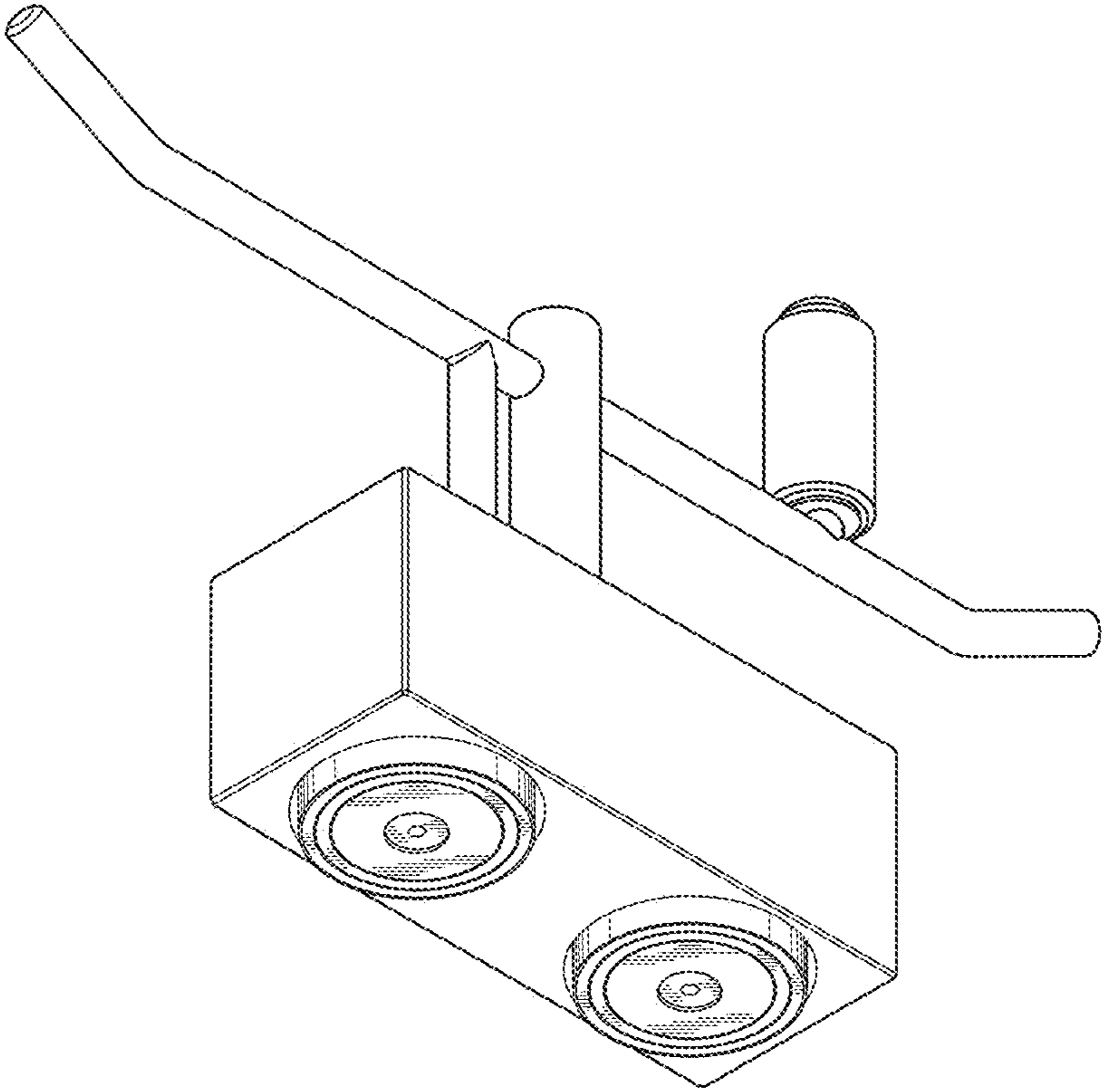


Fig. 1

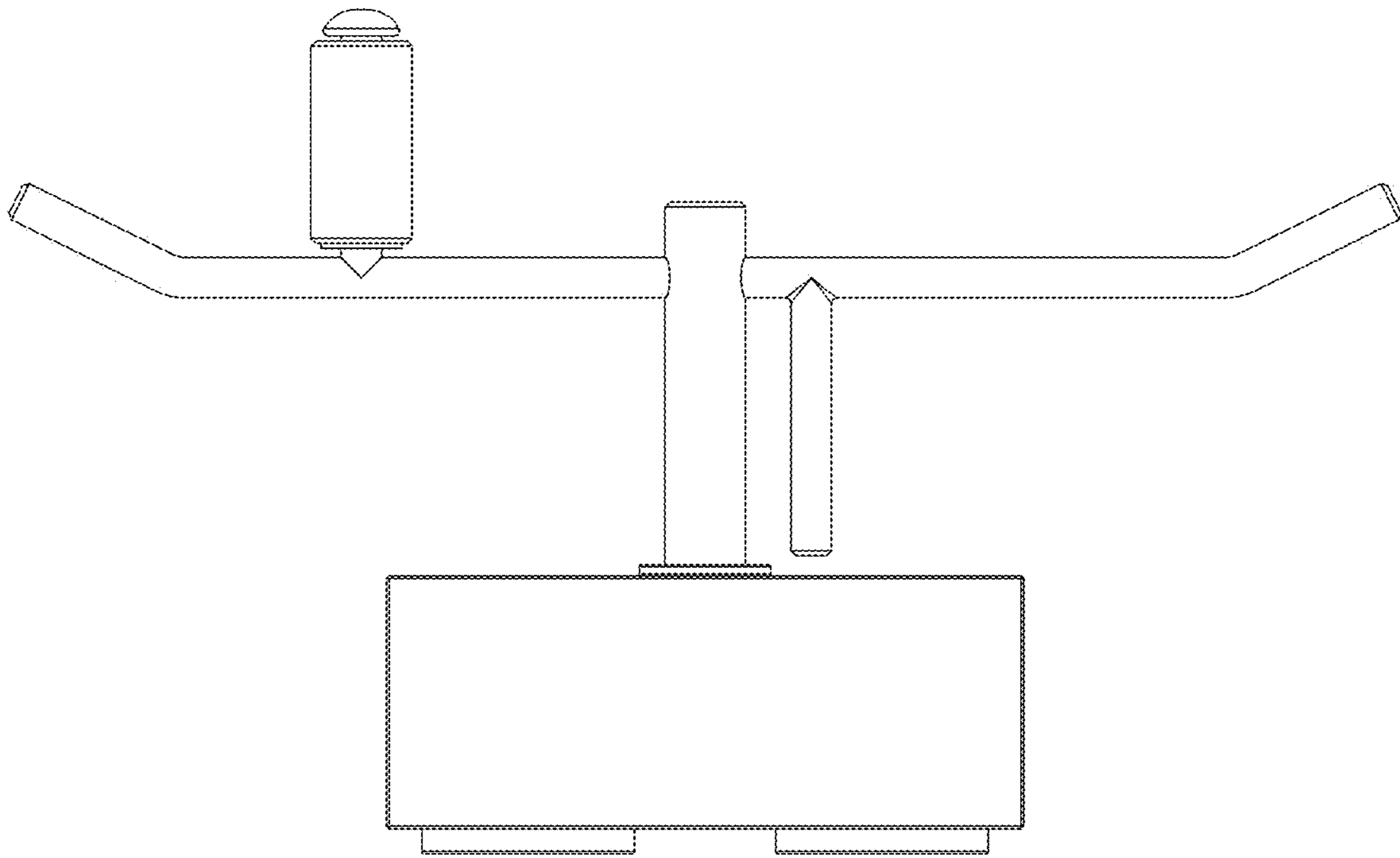


Fig. 2

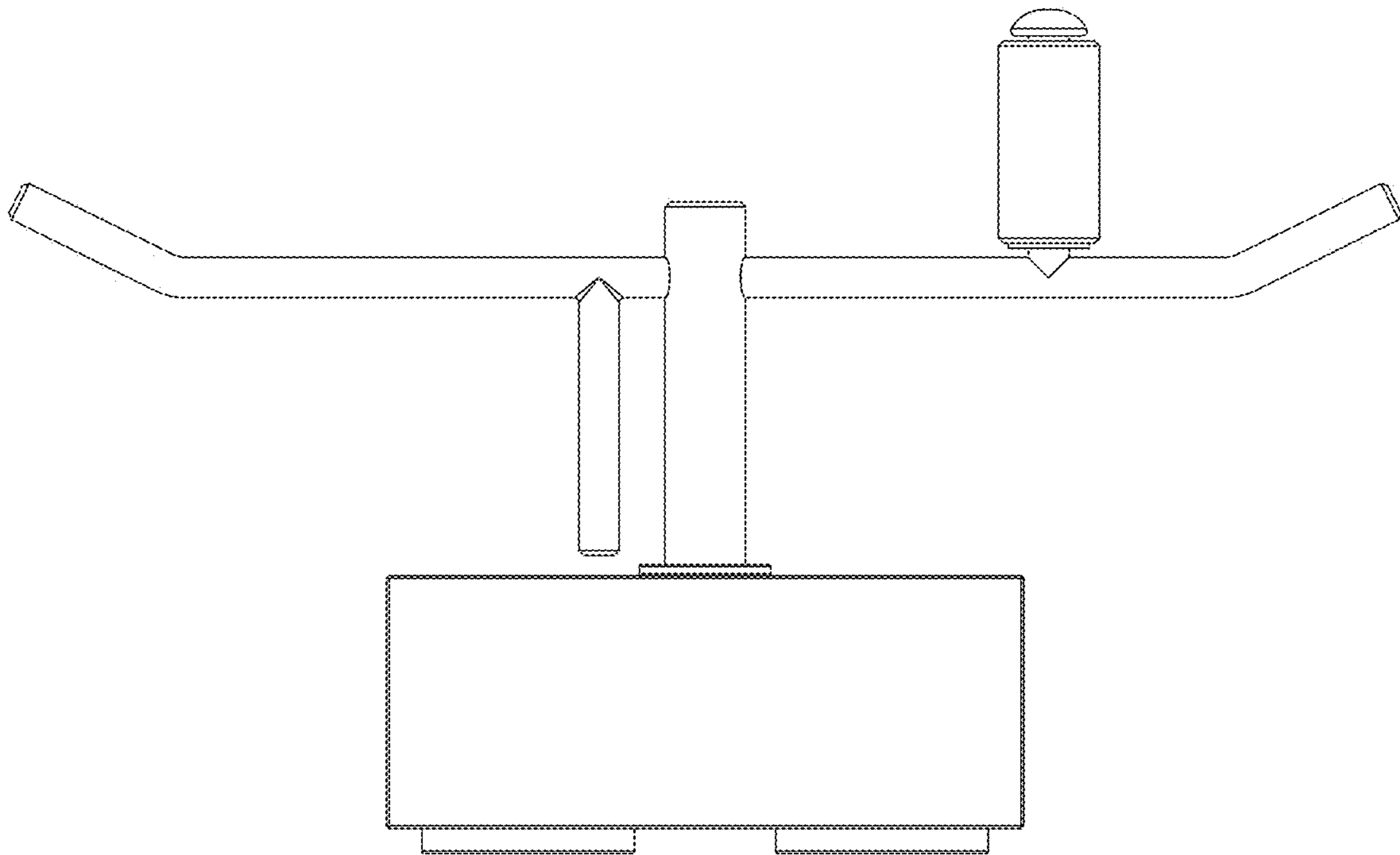


Fig. 3

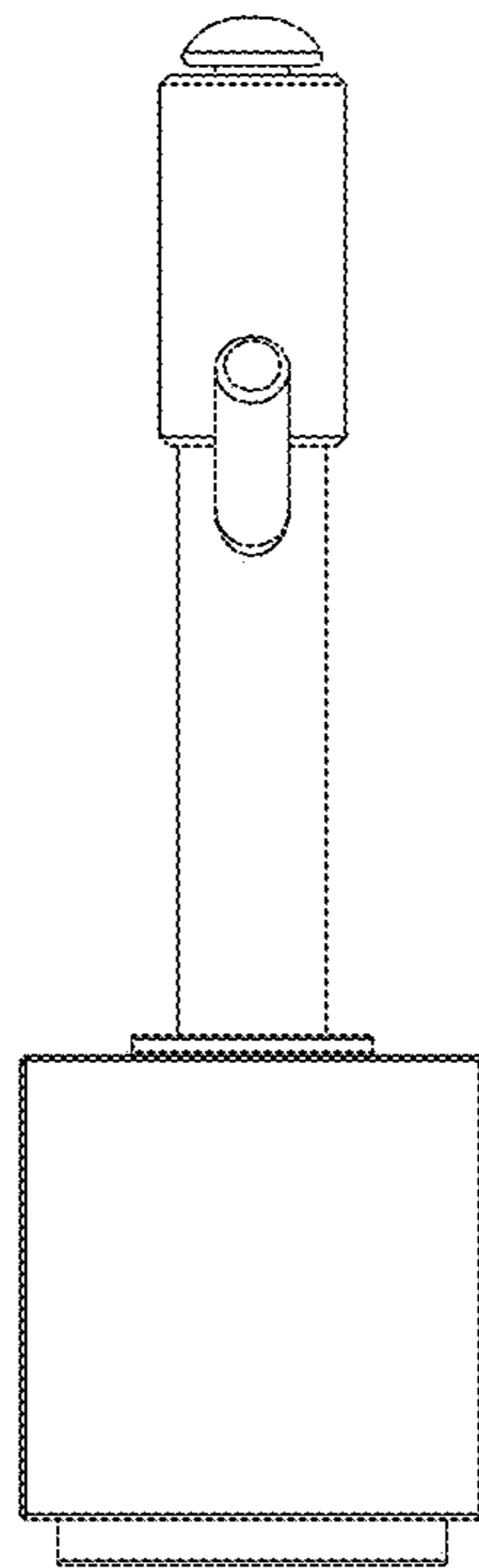


Fig. 4

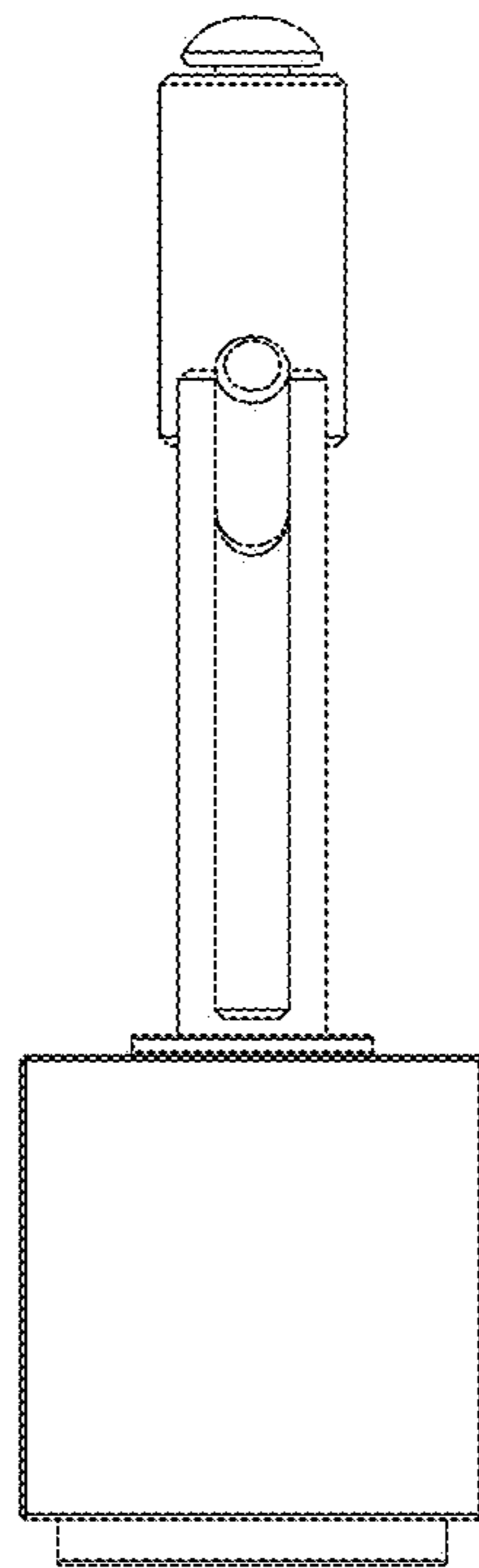


Fig. 5

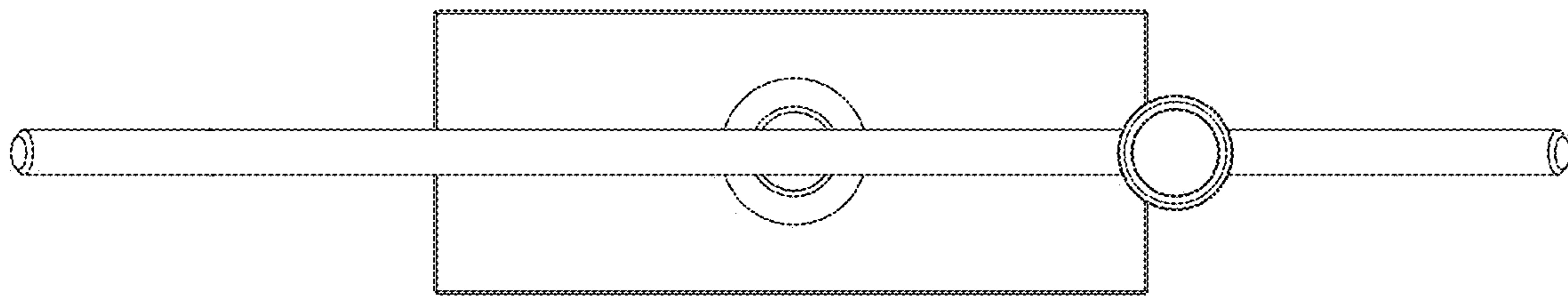


Fig. 6

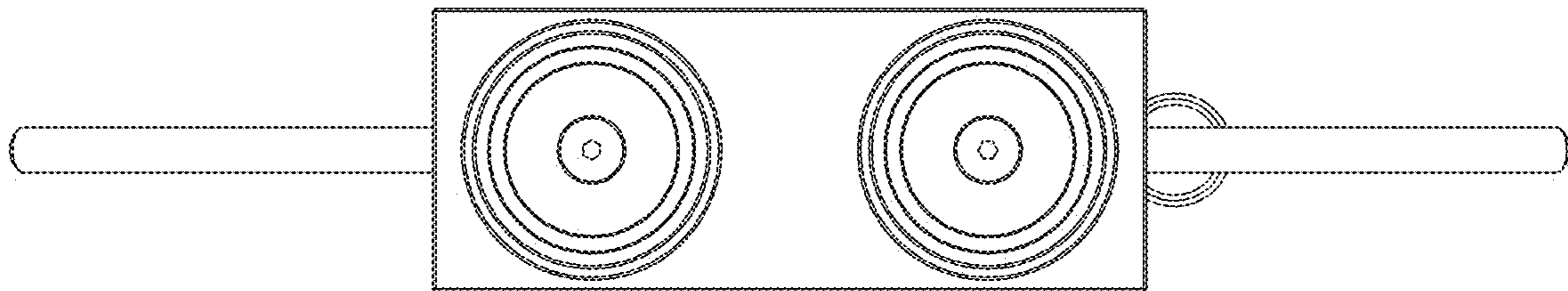


Fig. 7