



US00D986031S

(12) **United States Design Patent** (10) **Patent No.:** **US D986,031 S**
Downey (45) **Date of Patent:** **** May 16, 2023**

(54) **MOUNT FOR A MARINE PERIPHERAL DEVICE**
(71) Applicant: **Brunswick Corporation**, Mettawa, IL (US)
(72) Inventor: **Kevin T. Downey**, Rockford, MI (US)
(73) Assignee: **Brunswick Corporation**, Mettawa, IL (US)

(**) Term: **15 Years**
(21) Appl. No.: **29/783,977**

(22) Filed: **May 17, 2021**
(51) **LOC (14) Cl.** **08-08**
(52) **U.S. Cl.**
USPC **D8/349**
(58) **Field of Classification Search**
USPC D6/513, 362, 574, 572, 566; D8/349, D8/354, 355, 380, 373, 374; D12/317, D12/400, 406, 223, 425; 211/86.01, 13.1, 211/85.7, 87.01, 90.01, 134; 108/42, 149, 108/127, 176.1, 200, 201, 235, 250, 248
CPC F16M 1/00; F16M 13/02; F16M 2200/041; F24F 13/0254; F24F 13/32; H02G 3/263; B60R 11/00; B60R 2011/0003; B60R 2011/0082
See application file for complete search history.

(56) **References Cited**
U.S. PATENT DOCUMENTS
D461,825 S * 8/2002 Hansen D15/4
D462,078 S * 8/2002 Hansen D15/4
D533,174 S * 12/2006 Richter D14/251
D732,927 S * 6/2015 Booth D8/349

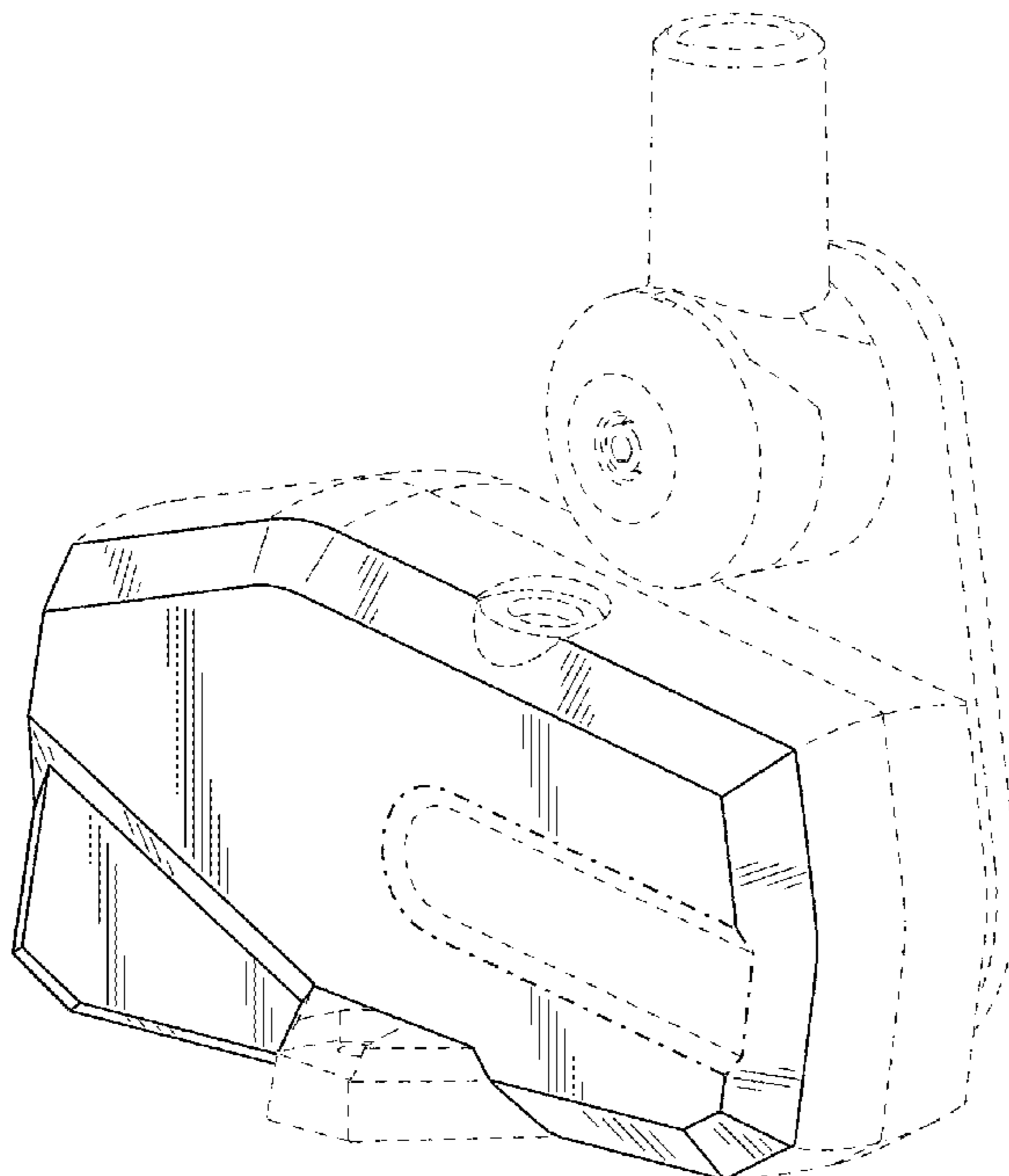
D757,520 S * 5/2016 Pratt D8/349
D777,793 S * 1/2017 Singh D15/7
D782,352 S * 3/2017 Simonton D10/74
D795,676 S * 8/2017 Karol D8/349
D796,302 S * 9/2017 Bright D8/354
D811,909 S * 3/2018 Simonton D8/380
D860,108 S * 9/2019 McNaughton B63B 34/75
D891,905 S * 8/2020 Carnevali D8/354
D891,906 S * 8/2020 Carnevali D8/349
D965,412 S * 10/2022 Pratt D8/349

* cited by examiner
Primary Examiner — Mark A Goodwin
(74) *Attorney, Agent, or Firm* — Andrus Intellectual Property Law, LLP

(57) **CLAIM**
The ornamental design for a mount for a marine peripheral device, as shown and described.

DESCRIPTION
FIG. 1 is a front perspective view of a mount for a marine peripheral device according to my new and ornamental design;
FIG. 2 is a rear perspective view thereof;
FIG. 3 is a right side elevation view thereof;
FIG. 4 is a left side elevation view thereof;
FIG. 5 is a front elevation view thereof;
FIG. 6 is a rear elevation view thereof;
FIG. 7 is a top plan view thereof; and,
FIG. 8 is a bottom plan view thereof.
The dash-dot broken lines show the boundaries of the claimed design. The portions of the mount for a marine peripheral device shown in broken lines form no part of the claimed design.

1 Claim, 6 Drawing Sheets



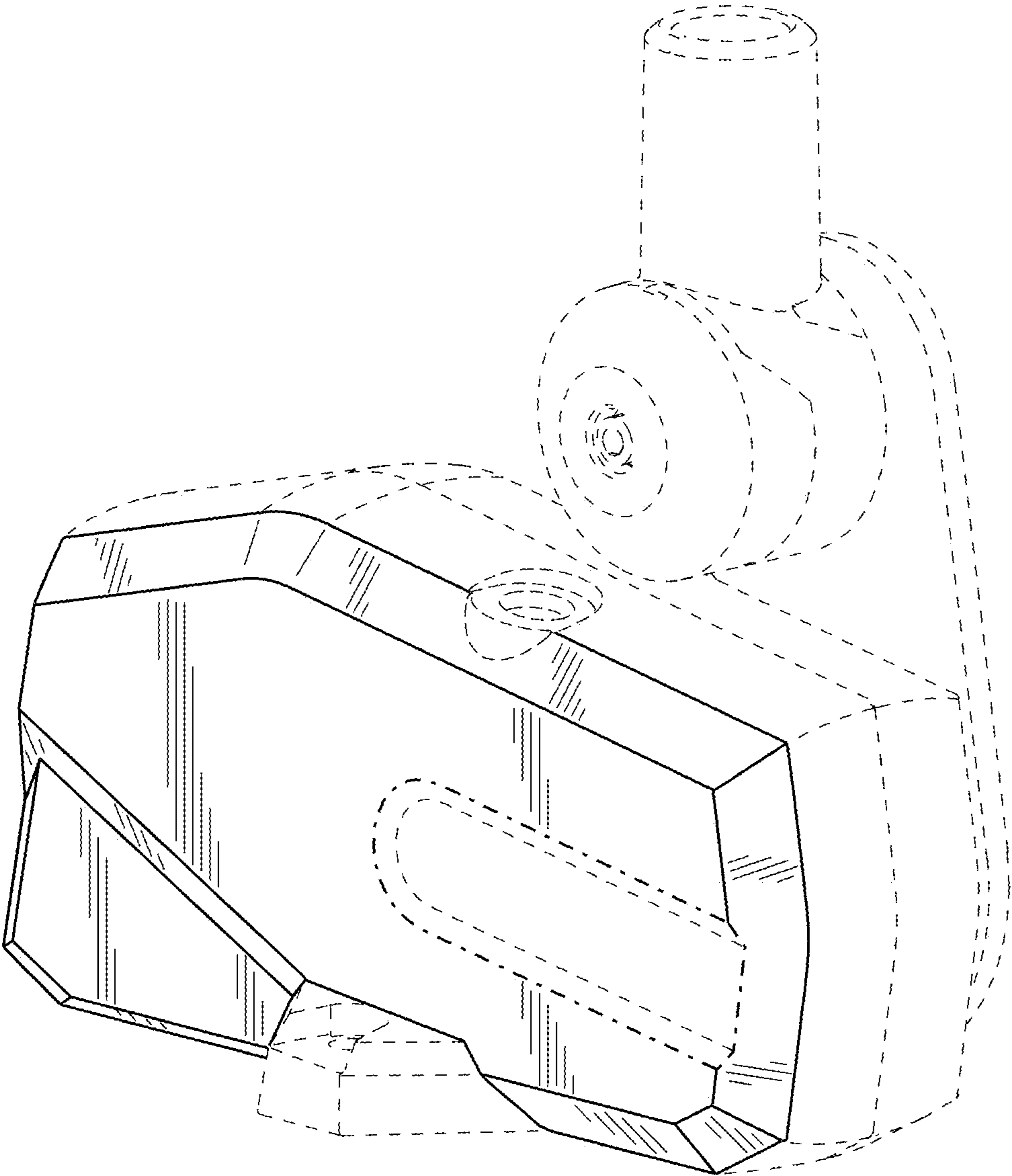


FIG. 1

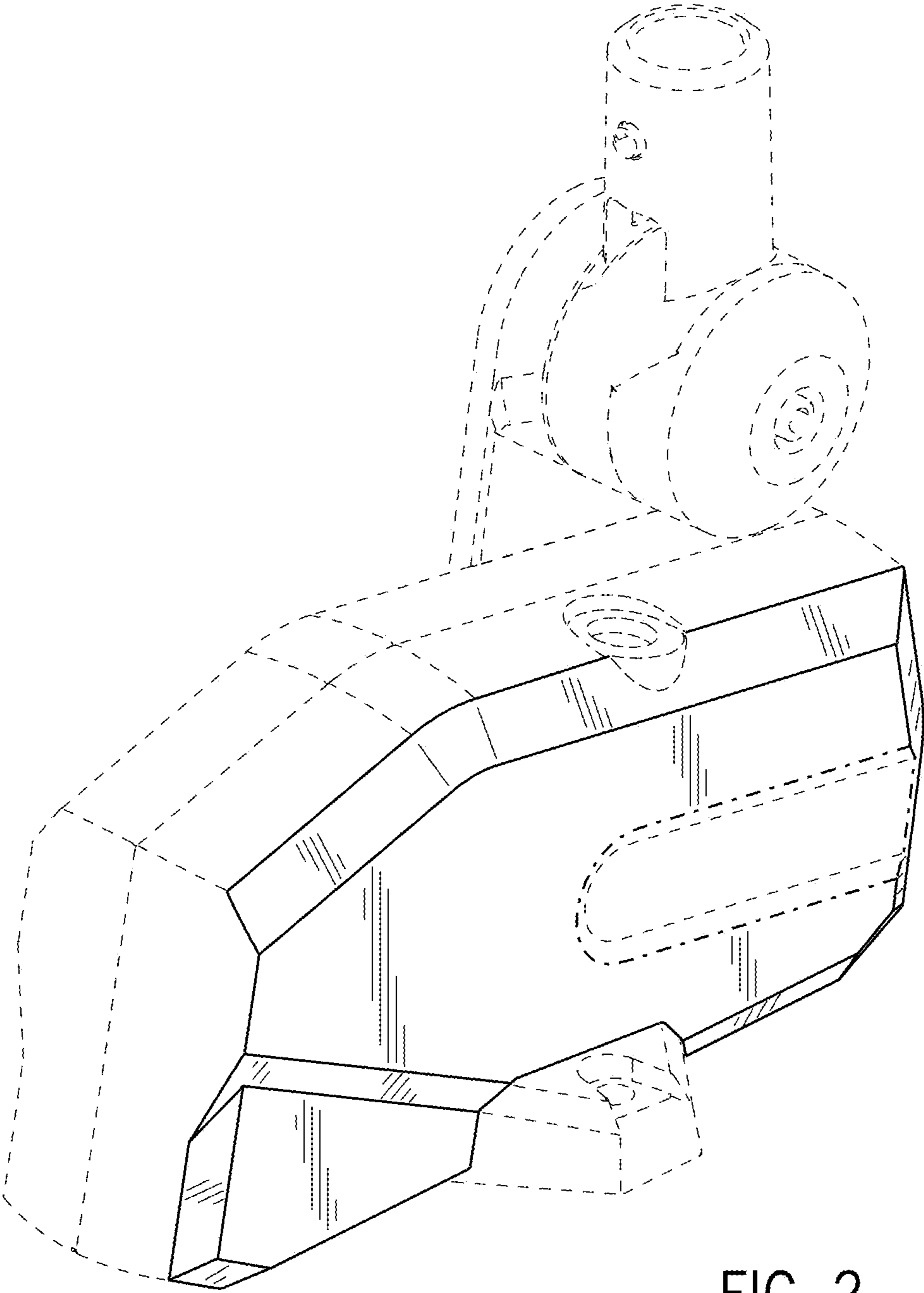


FIG. 2

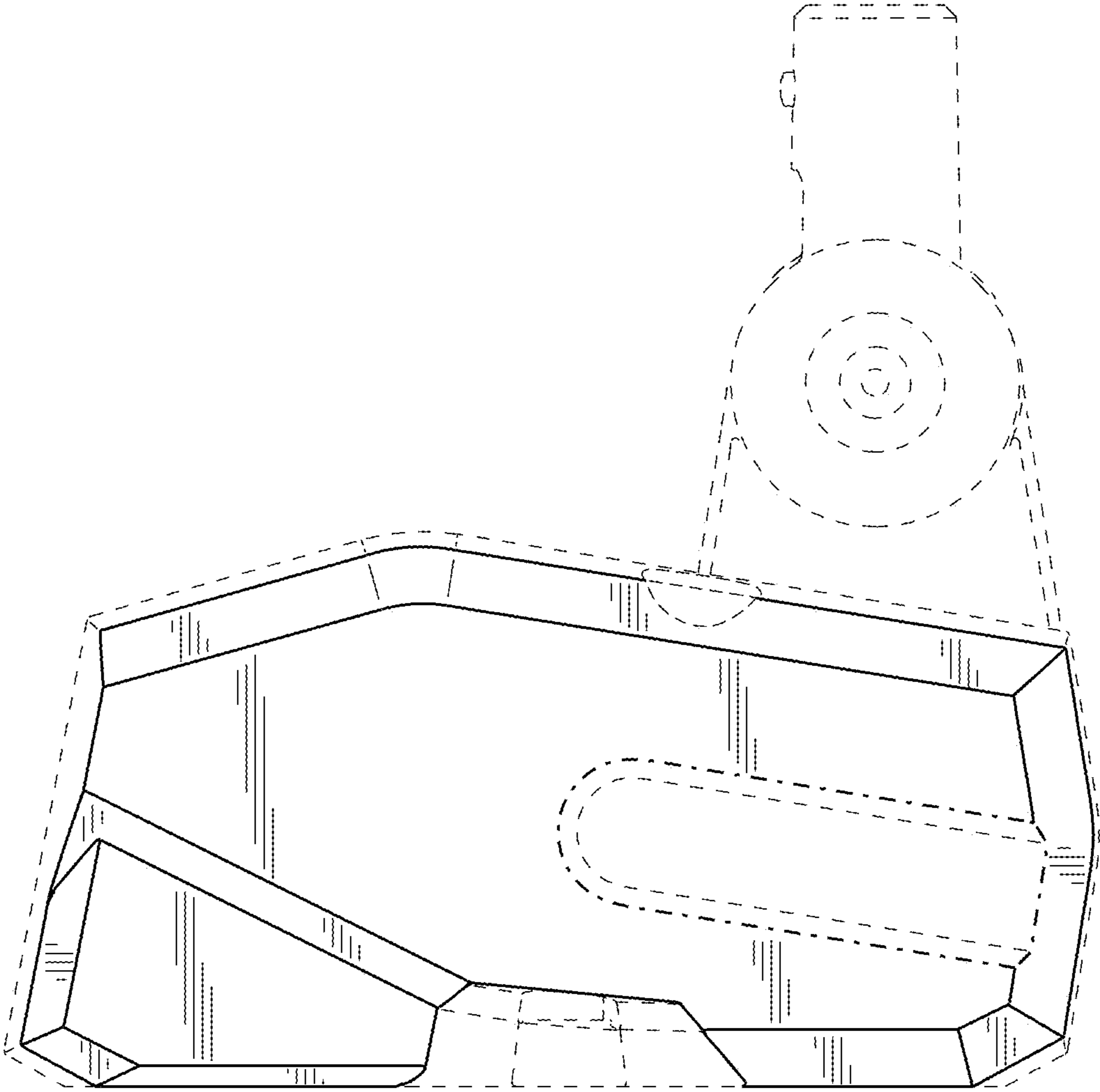


FIG. 3

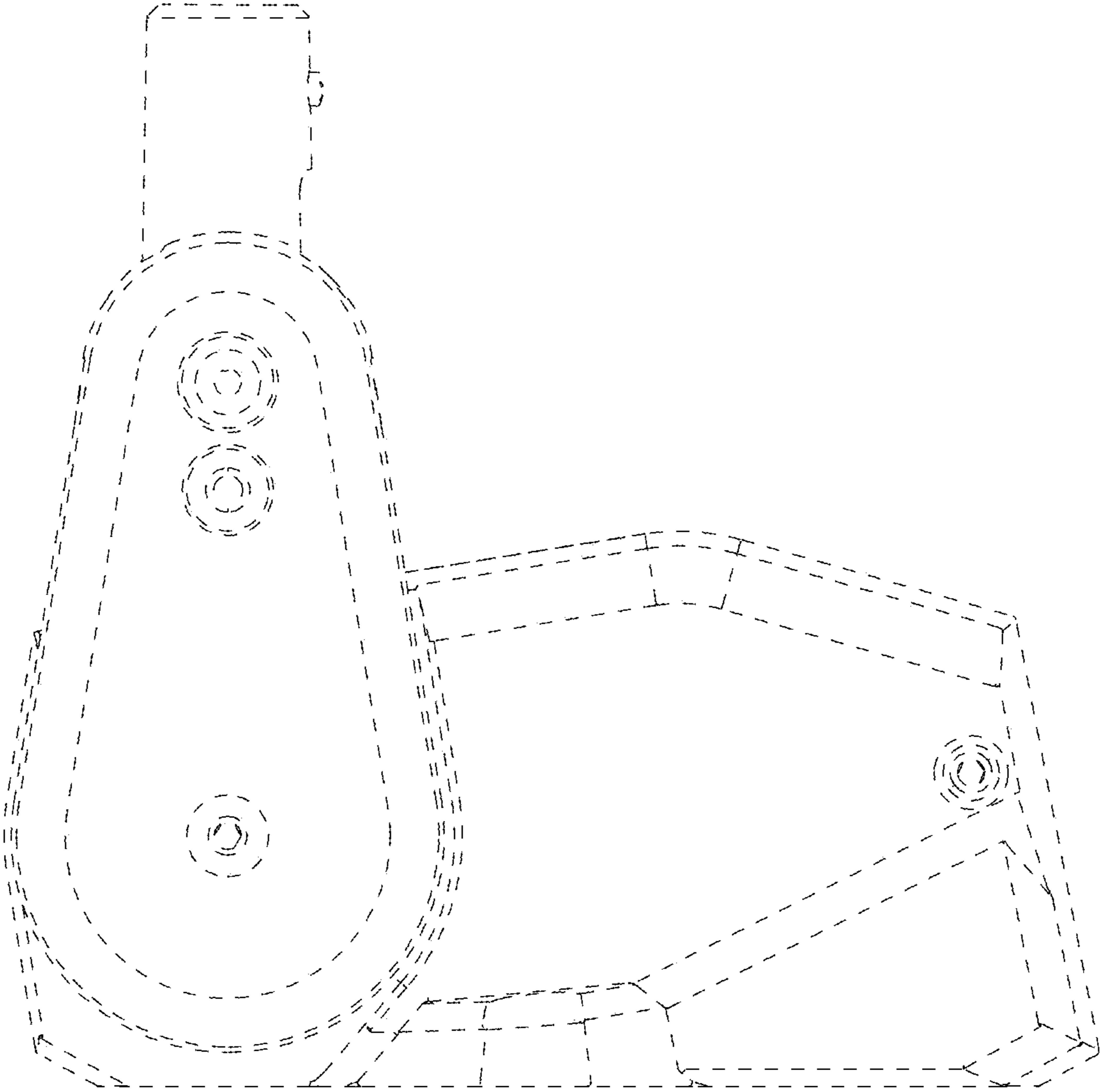


FIG. 4

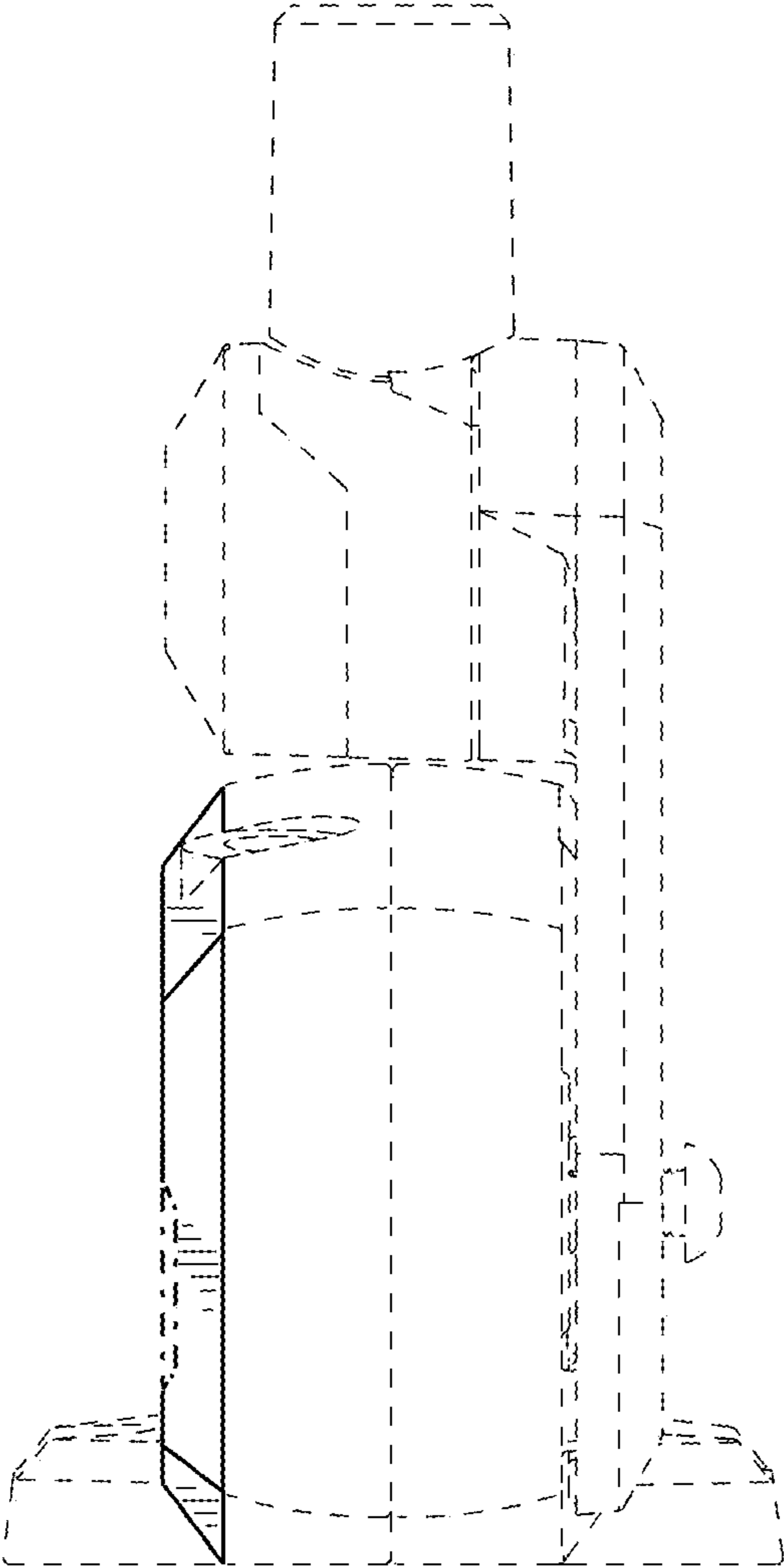


FIG. 5

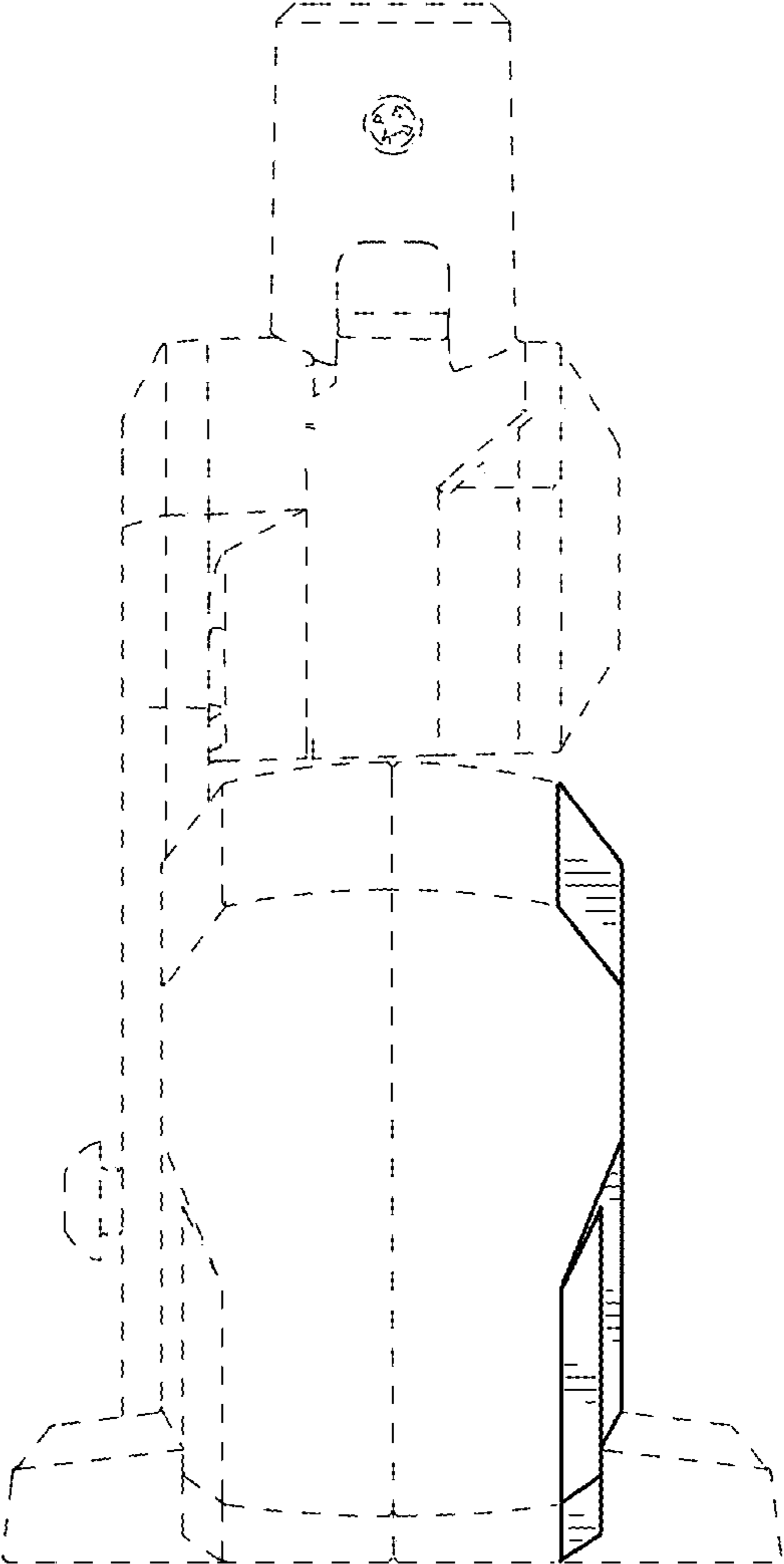


FIG. 6

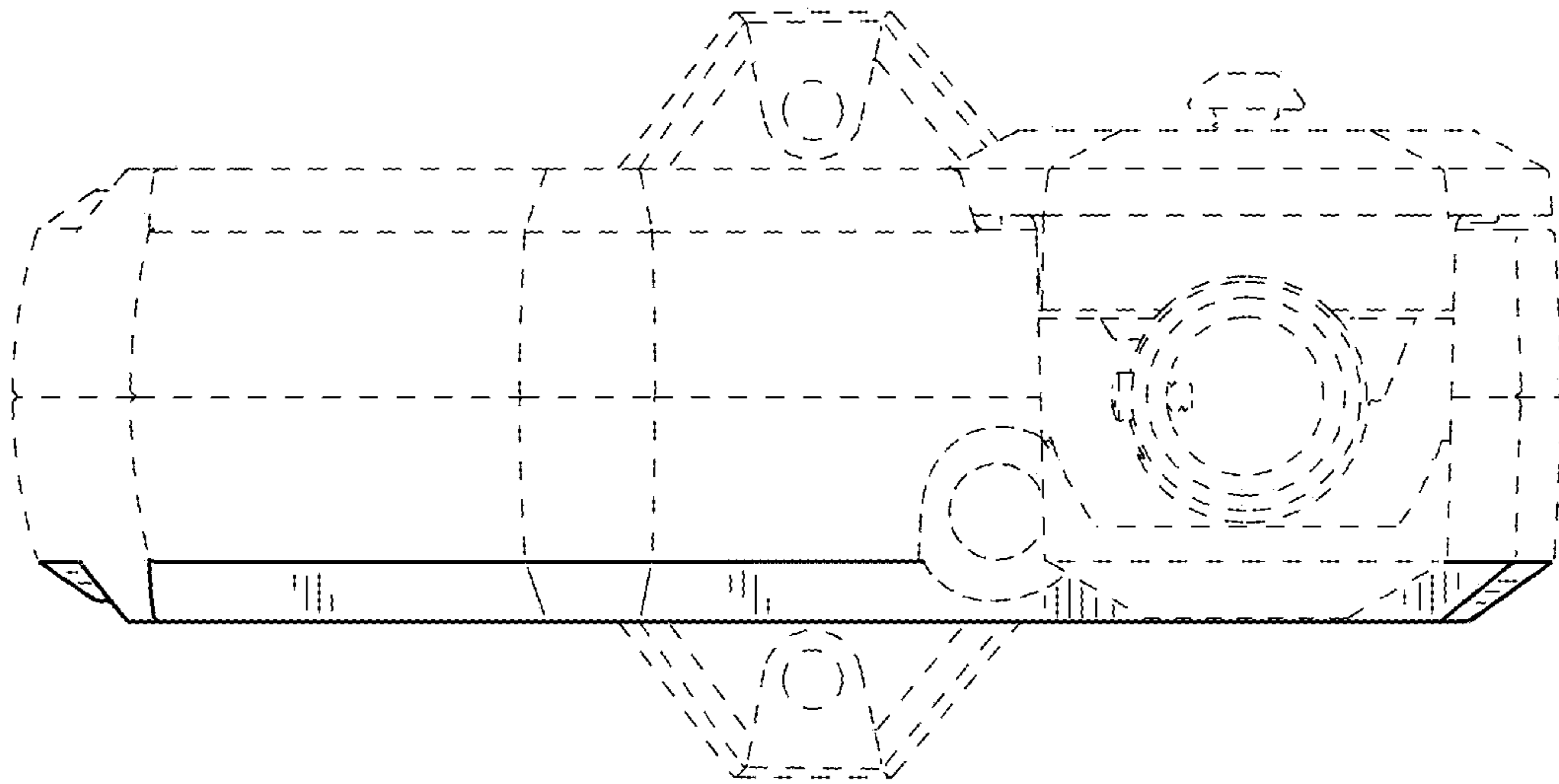


FIG. 7

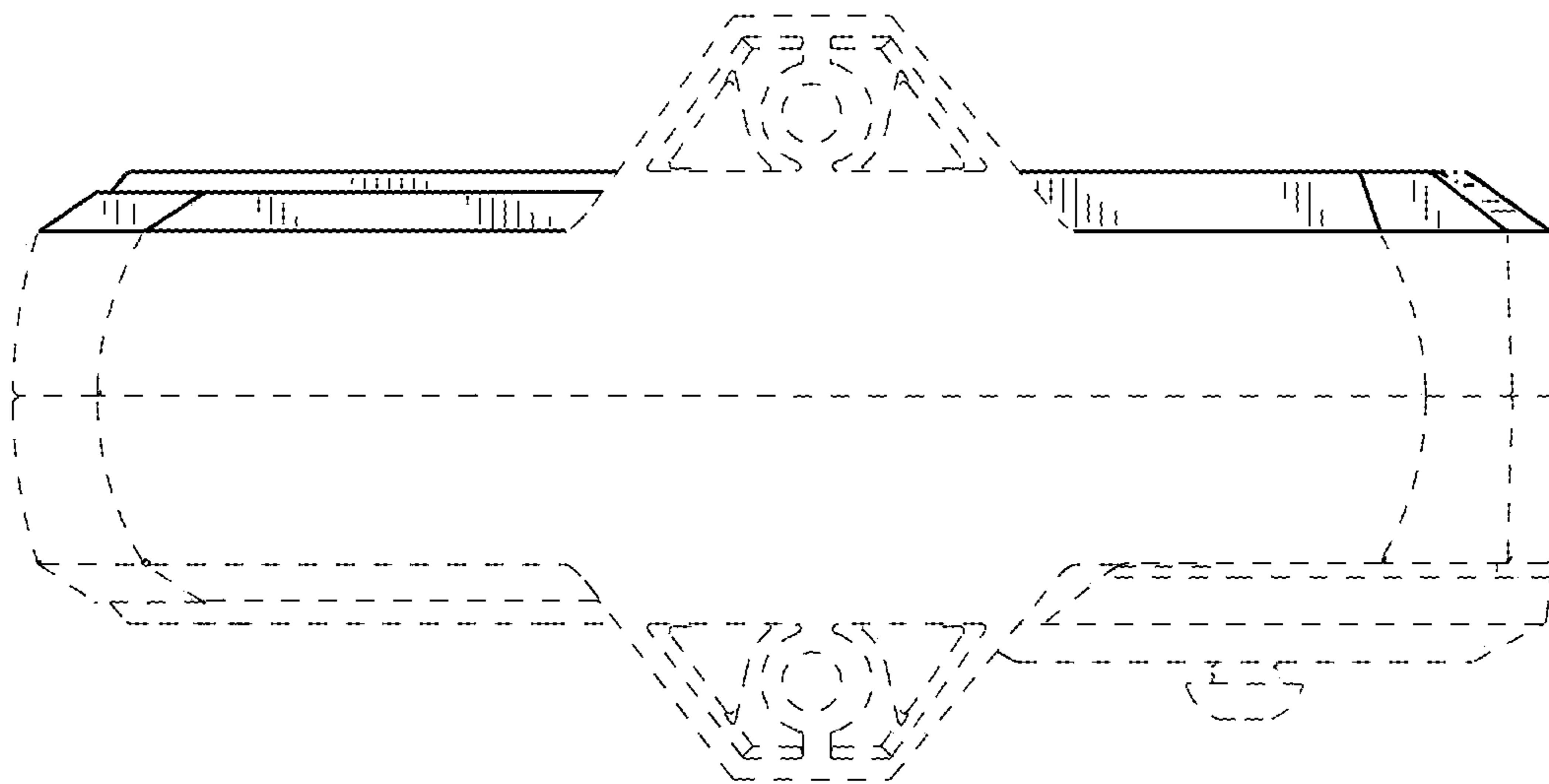


FIG. 8