



US00D986027S

(12) **United States Design Patent**
Knudson

(10) **Patent No.:** **US D986,027 S**

(45) **Date of Patent:** **** *May 16, 2023**

(54) **HINGE COVER**

(71) Applicant: **Modern Fence Technologies**, East Troy, WI (US)

(72) Inventor: **Mark D. Knudson**, East Troy, WI (US)

(73) Assignee: **Modern Fence Technologies**, East Troy, WI (US)

(*) Notice: This patent is subject to a terminal disclaimer.

(**) Term: **15 Years**

(21) Appl. No.: **29/773,123**

(22) Filed: **Mar. 8, 2021**

(51) **LOC (14) Cl.** **08-06**

(52) **U.S. Cl.**
USPC **D8/323; D8/327**

(58) **Field of Classification Search**
USPC D8/323, 349, 327, 328, 329; D3/324; D16/334, 250, 251
CPC .. E05D 1/00; E05D 11/06; E05D 5/11; E05D 3/02; E05D 1/02; E05D 11/082; E05D 5/12; E05D 7/00; E05D 7/0009; E05D 7/009; E05D 7/02; E05D 7/14; E05D 1/06; A47K 13/12; A47G 33/004; A47H 1/00; A47H 13/00; A47H 15/00; B44C 1/18; B44C 5/02; B44C 5/04; B44C 5/0415; E01B 11/00
See application file for complete search history.

2,224,444 A * 12/1940 Murrin E05F 1/1253
16/251
D236,797 S * 9/1975 Davis D8/329
4,193,163 A * 3/1980 Lautenschlager E05D 3/16
16/250
D439,130 S * 3/2001 Ford D8/329
6,560,821 B2 * 5/2003 Miller E05D 5/0246
16/334
D491,009 S * 6/2004 Burdett D6/634
D514,624 S * 2/2006 Roatis D20/8
7,480,962 B2 * 1/2009 Takamatsu E05D 5/08
16/382
D627,690 S * 11/2010 Madden D12/126
8,464,394 B2 * 6/2013 Salice E05F 5/006
16/337
D741,141 S * 10/2015 Knudson D8/323
9,670,706 B2 * 6/2017 Ching E05C 19/184
10,316,560 B2 * 6/2019 Konrad E05D 3/186

(Continued)

Primary Examiner — Marissa J Cash
Assistant Examiner — Kayla Marie Bennett
(74) *Attorney, Agent, or Firm* — Joseph T. Leone; DeWitt LLP

(57) **CLAIM**

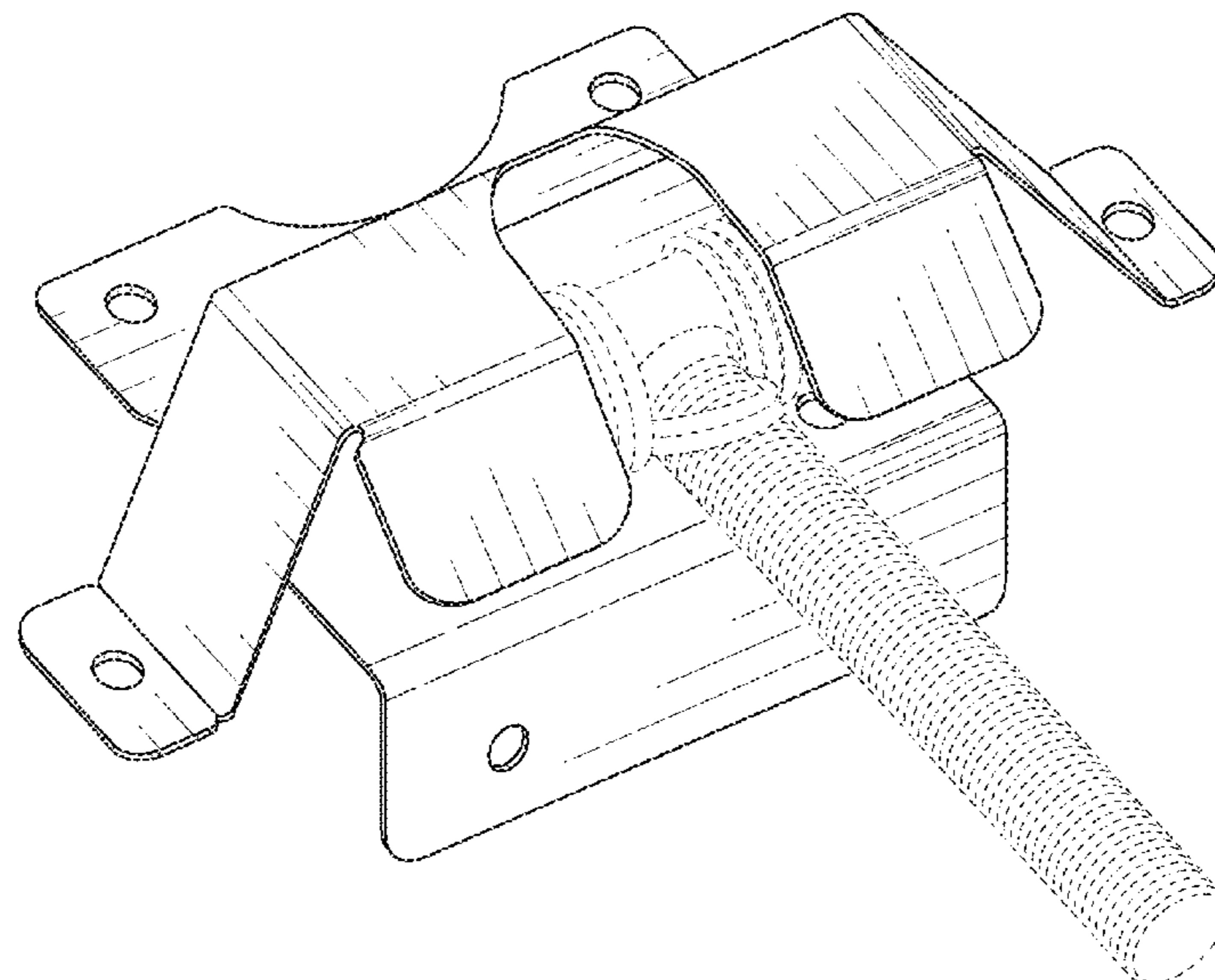
The ornamental design for a hinge cover, as shown and described.

DESCRIPTION

FIG. 1 is a top perspective view of a hinge cover showing my new design;
FIG. 2 is a front elevational view thereof;
FIG. 3 is a rear elevational view thereof; and
FIG. 4 is a left elevational view thereof;
FIG. 5 is a right elevational view thereof;
FIG. 6 is a top plan view thereof;
FIG. 7 is a bottom plan view thereof; and,
FIG. 8 is a top perspective view, thereof, shown in an alternate environment of use.
The broken lines illustrate environment only that forms no part of the claimed design.

(56) **References Cited**
U.S. PATENT DOCUMENTS
1,901,994 A * 3/1933 Soss E05D 3/02
16/250
2,078,076 A * 4/1937 Hines E05D 3/02
16/273

1 Claim, 6 Drawing Sheets



(56)

References Cited

U.S. PATENT DOCUMENTS

10,808,442 B2 * 10/2020 Salice E05F 3/20
10,934,751 B2 * 3/2021 Schweiss E05D 3/02
2012/0020728 A1 * 1/2012 Royer E02D 29/1463
16/250
2015/0107052 A1 * 4/2015 Talpe E05D 11/0018
29/402.03
2015/0233161 A1 * 8/2015 Martinez Garcia
E05D 11/0054
16/250

* cited by examiner

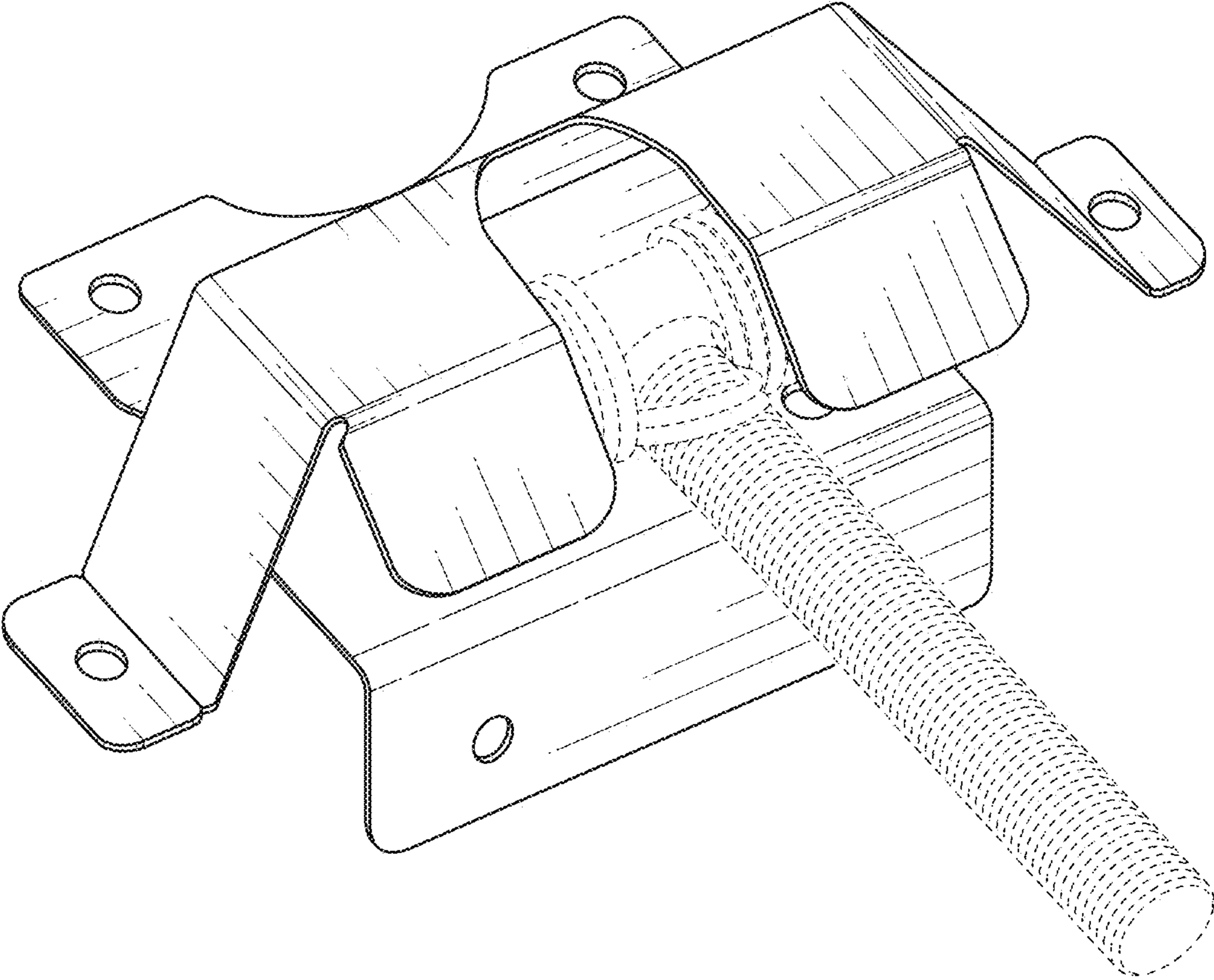


FIG. 1

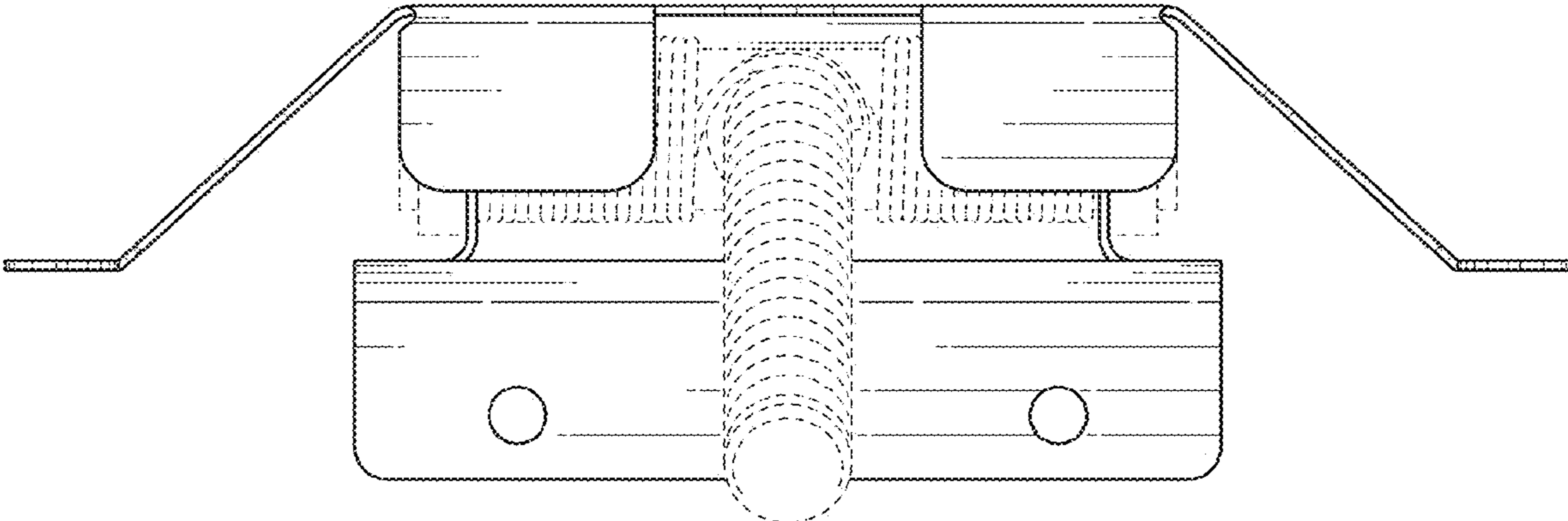


FIG. 2

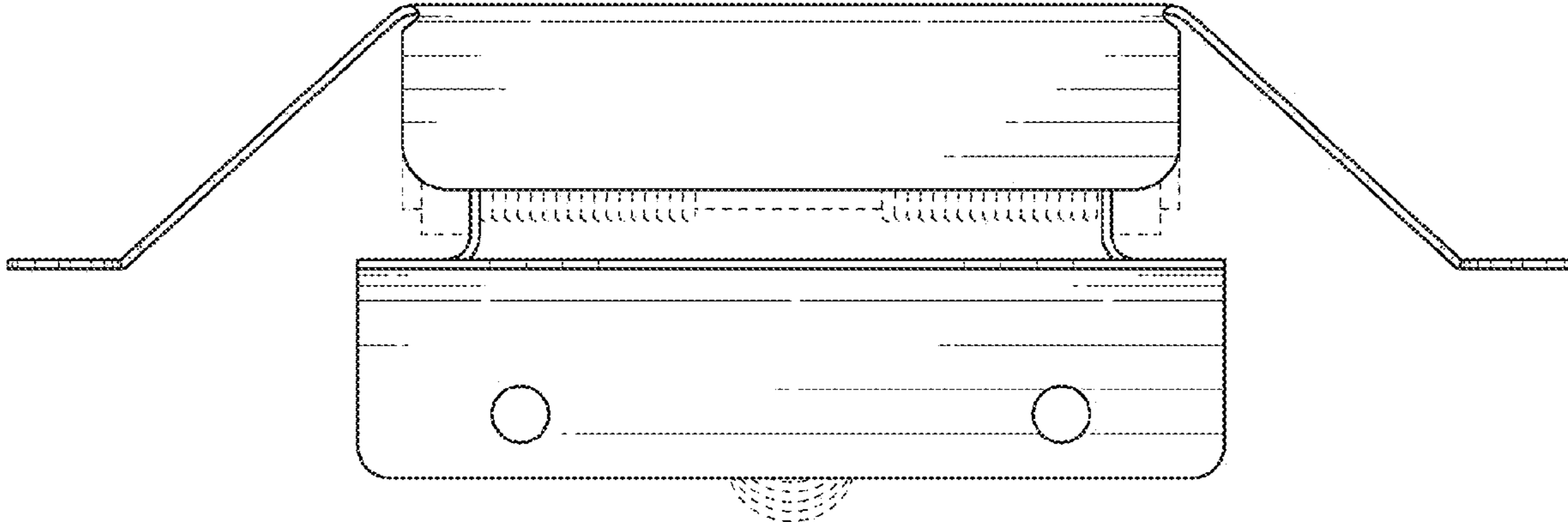


FIG. 3

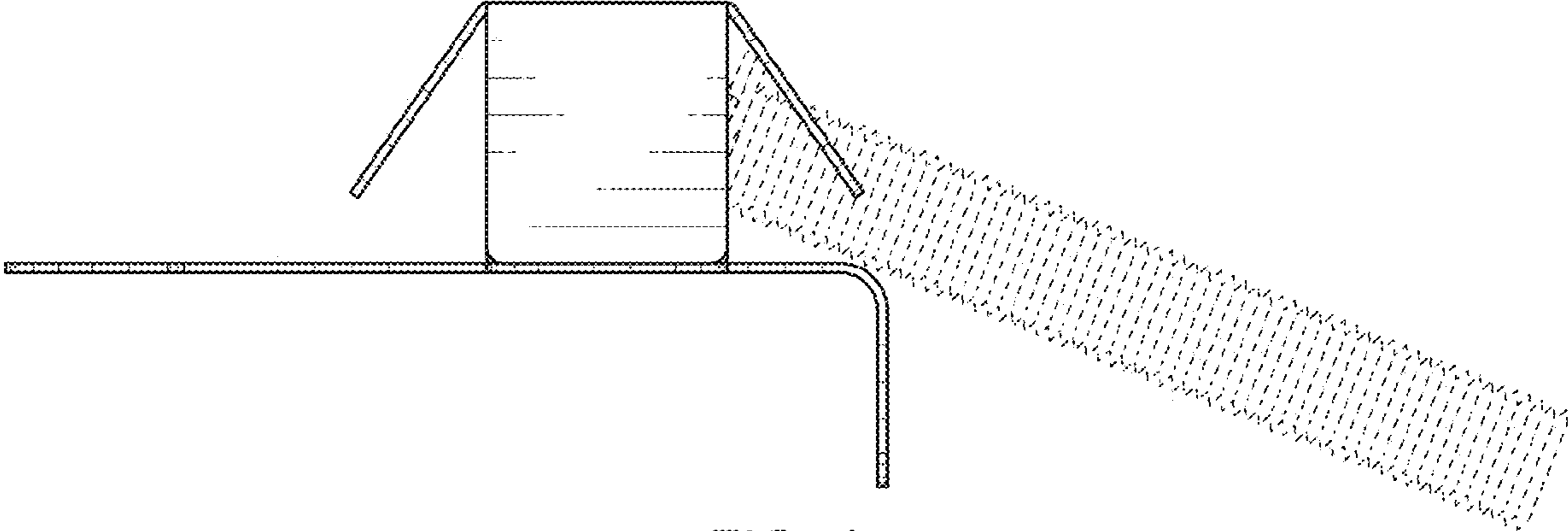


FIG. 4

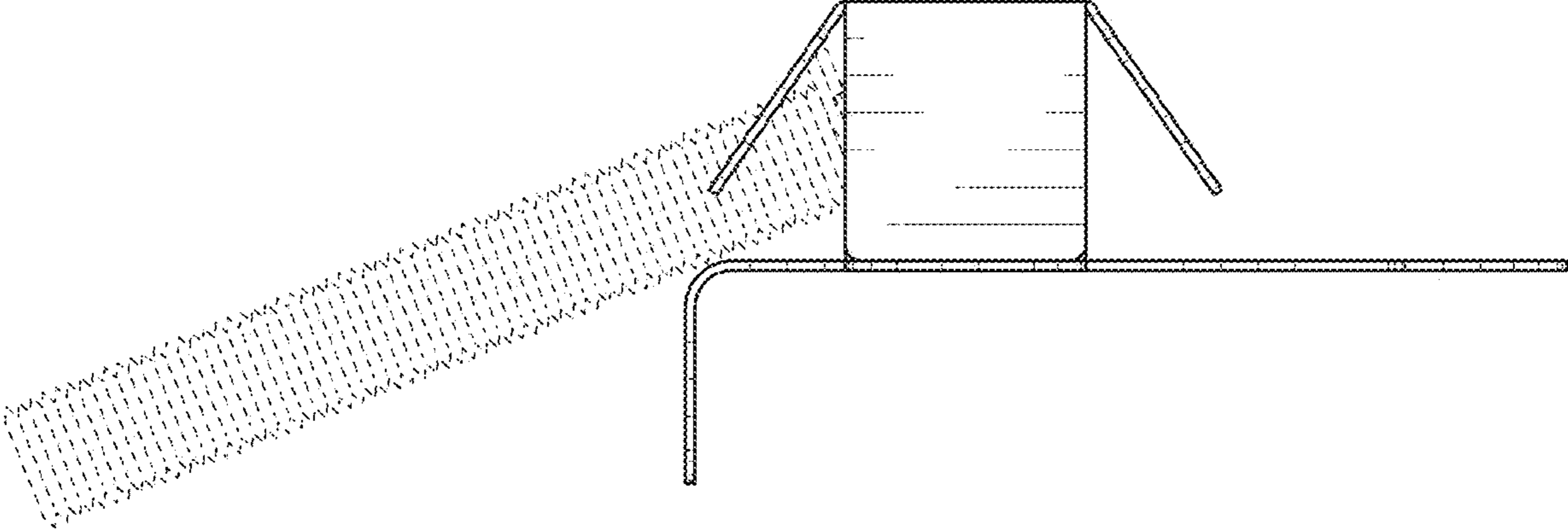


FIG. 5

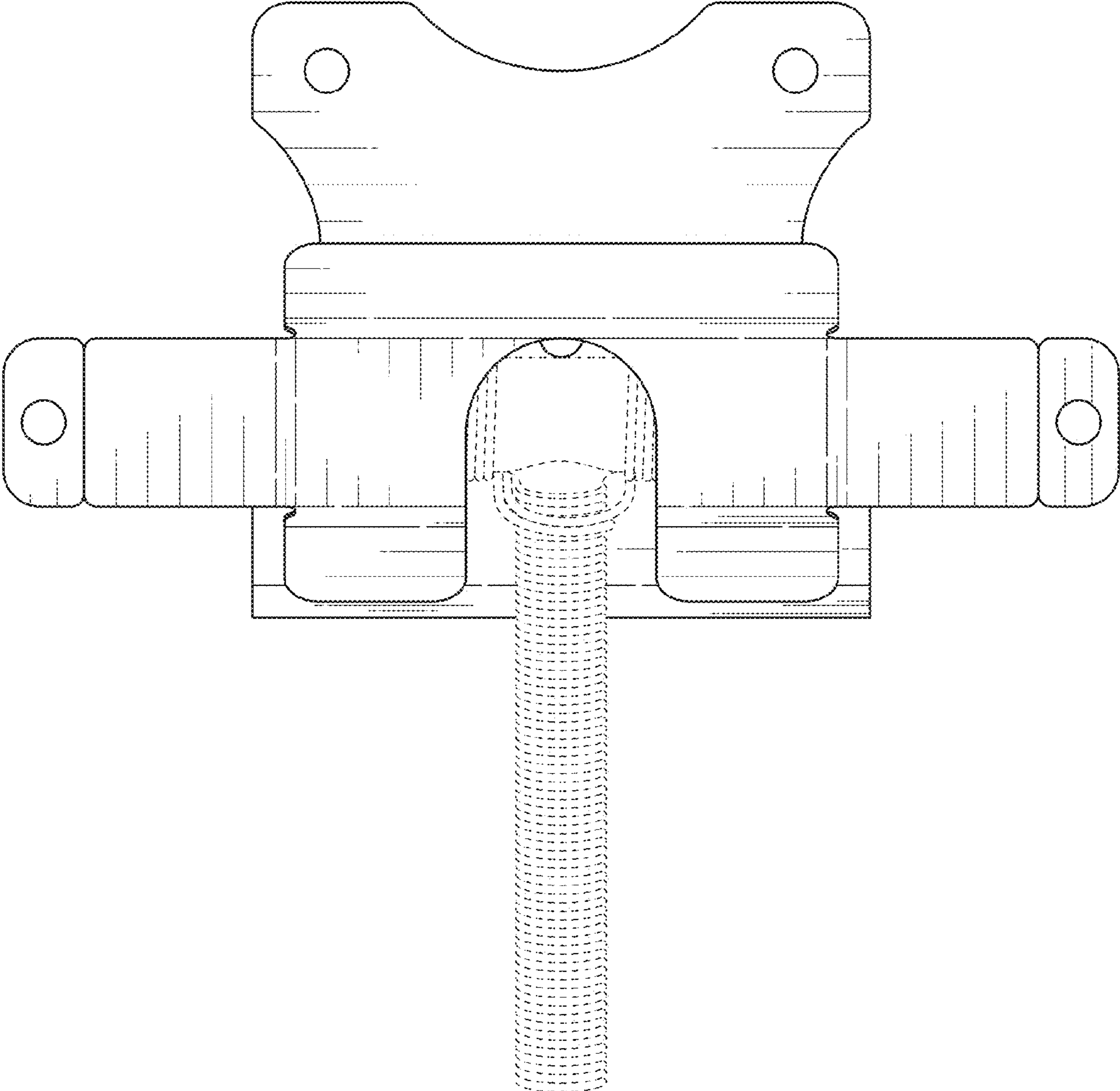


FIG. 6

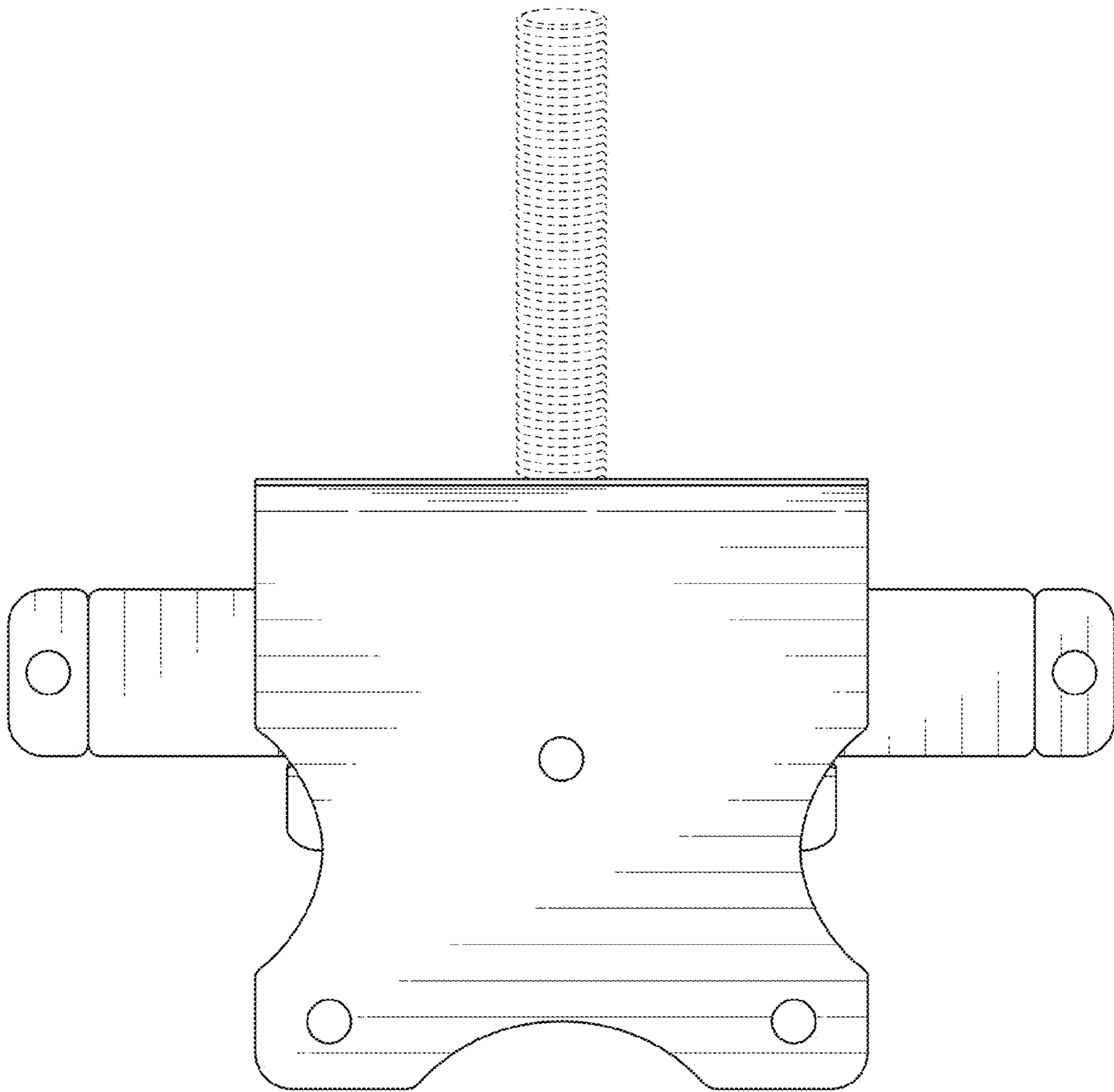


FIG. 7

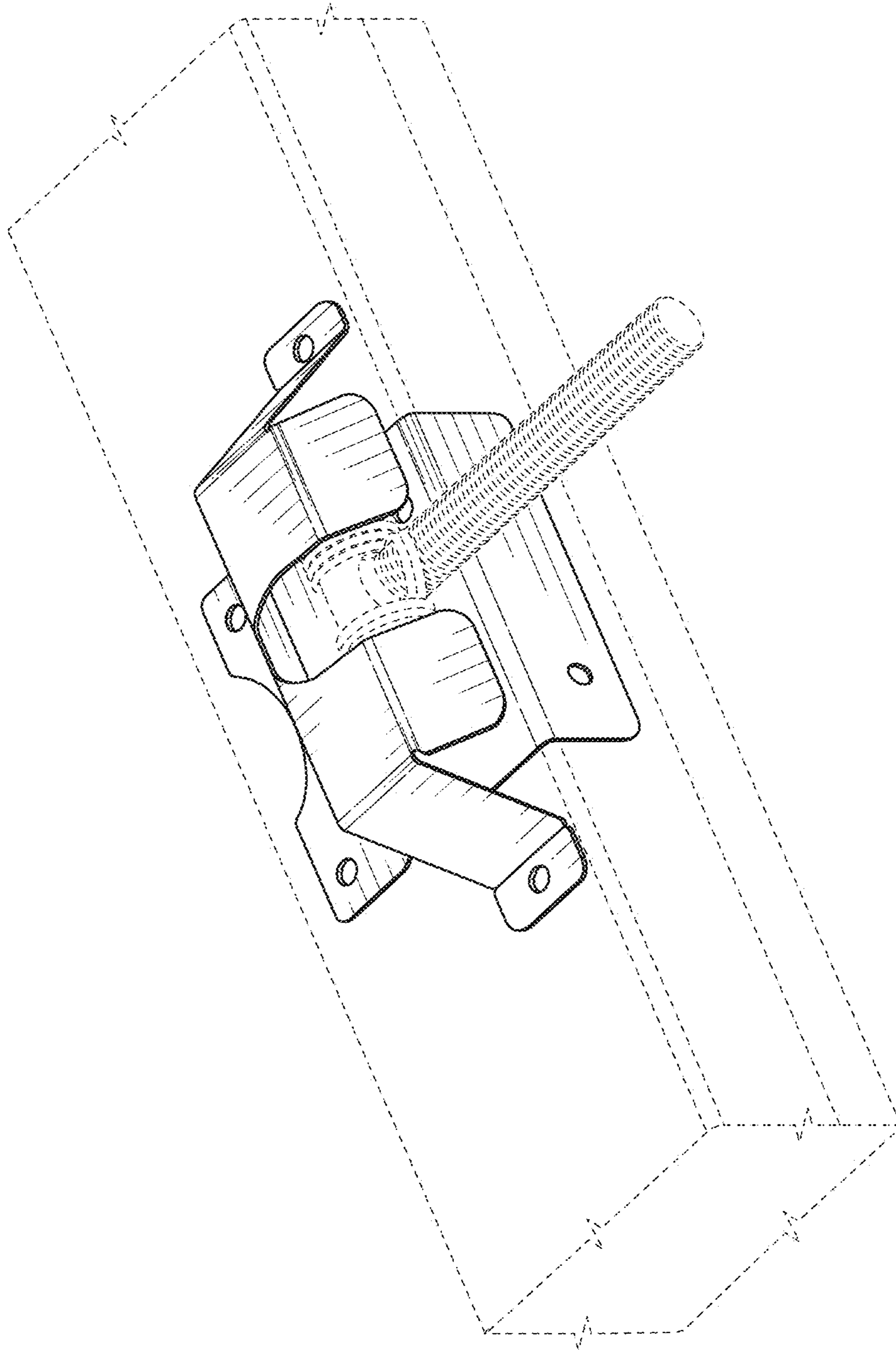


FIG. 8