



US00D986025S

(12) **United States Design Patent**
Fukuda et al.

(10) **Patent No.:** **US D986,025 S**
(45) **Date of Patent:** **** May 16, 2023**

(54) **DOOR LOCK**

(71) Applicant: **Panasonic Intellectual Property Management Co., Ltd., Osaka (JP)**

(72) Inventors: **Chie Fukuda, Kyoto (JP); Kazunori Seto, Osaka (JP); Koji Nishimura, Osaka (JP)**

(73) Assignee: **Panasonic Intellectual Property Management Co., Ltd., Osaka (JP)**

(**) Term: **15 Years**

(21) Appl. No.: **29/799,291**

(22) Filed: **Jul. 13, 2021**

(30) **Foreign Application Priority Data**

May 12, 2021 (JP) 2021-009899 D

(51) **LOC (14) Cl.** **08-06**

(52) **U.S. Cl.**
USPC **D8/302**

(58) **Field of Classification Search**
USPC D8/300-302, 307-309, 310, 311, 330, D8/331
CPC E05B 15/02; E05B 3/06; E05B 1/0007; E05B 1/00; E05B 9/08; E05B 3/00; E05B 3/04; Y10T 70/8568; Y10T 292/91; Y10T 292/57; Y10T 16/458; Y10T 16/46
See application file for complete search history.

(56) **References Cited**

U.S. PATENT DOCUMENTS

D43,534 S * 2/1913 Hawley D8/310
1,858,604 A * 5/1932 Teich E05B 15/02
70/452
3,990,277 A * 11/1976 Mullich E05B 59/00
70/462

D280,073 S * 8/1985 Wildgen D8/308
4,820,330 A * 4/1989 Lin E05B 47/0676
70/277
4,979,767 A * 12/1990 Lin E05B 59/00
292/336.3
5,027,629 A * 7/1991 Liu E05B 47/0692
70/277
5,787,741 A * 8/1998 Shen E05B 59/00
70/451
D404,634 S * 1/1999 Hankel D8/308
D518,354 S * 4/2006 Veltz D8/302
D664,420 S * 7/2012 Mattson D8/302
D903,464 S 12/2020 Groleski et al.
2019/0390478 A1 * 12/2019 Xiang E05B 13/004

* cited by examiner

Primary Examiner — Lauren R Calve

(74) *Attorney, Agent, or Firm* — Panasonic IP Management; Kerry S. Culpepper

(57) **CLAIM**

We claim the ornamental design for a door lock, as shown and described.

DESCRIPTION

FIG. 1 is a front perspective view of a door lock of the present invention;
FIG. 2 is a front view thereof;
FIG. 3 is a rear view thereof;
FIG. 4 is a first side view thereof;
FIG. 5 is a second side view thereof;
FIG. 6 is a top view thereof;
FIG. 7 is a bottom view thereof;
FIG. 8 is a cross-sectional view taken along the line 8-8 in FIG. 2; and,
FIG. 9 is a cross-sectional view taken along the line 9-9 in FIG. 2.
The broken lines in the drawings represent portions of the door lock that form no part of the claimed design.

1 Claim, 9 Drawing Sheets

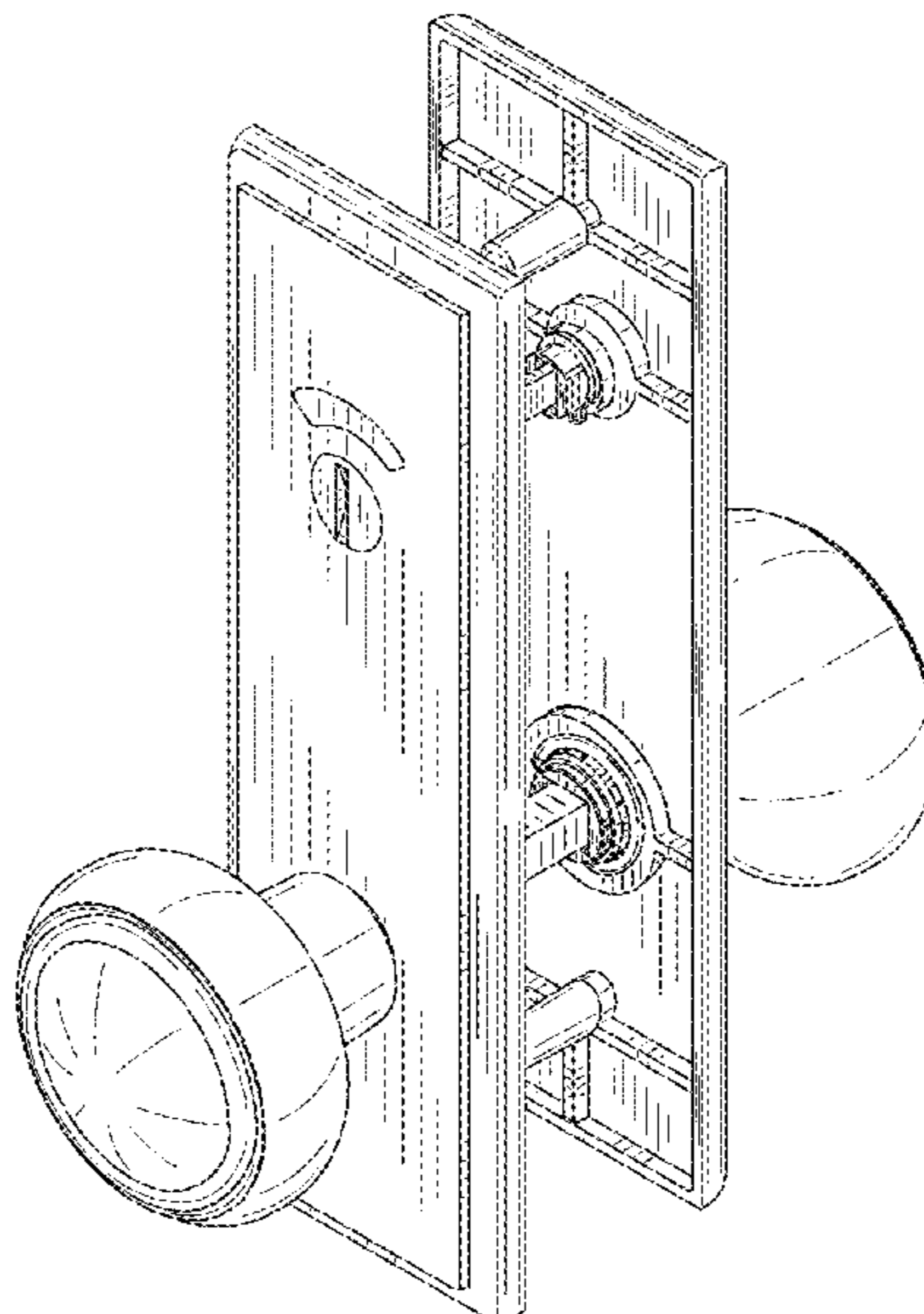


FIG. 1

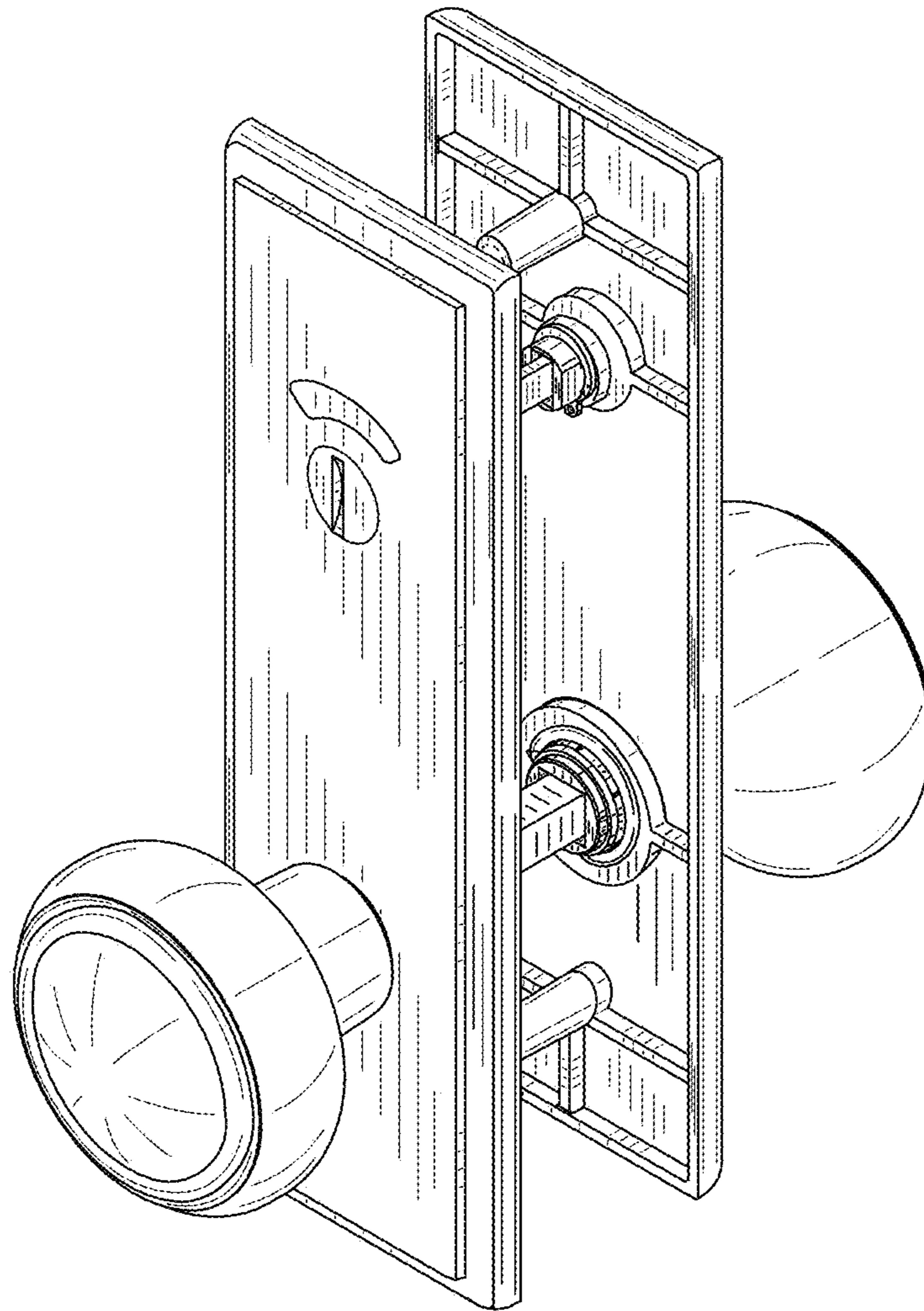


FIG. 2

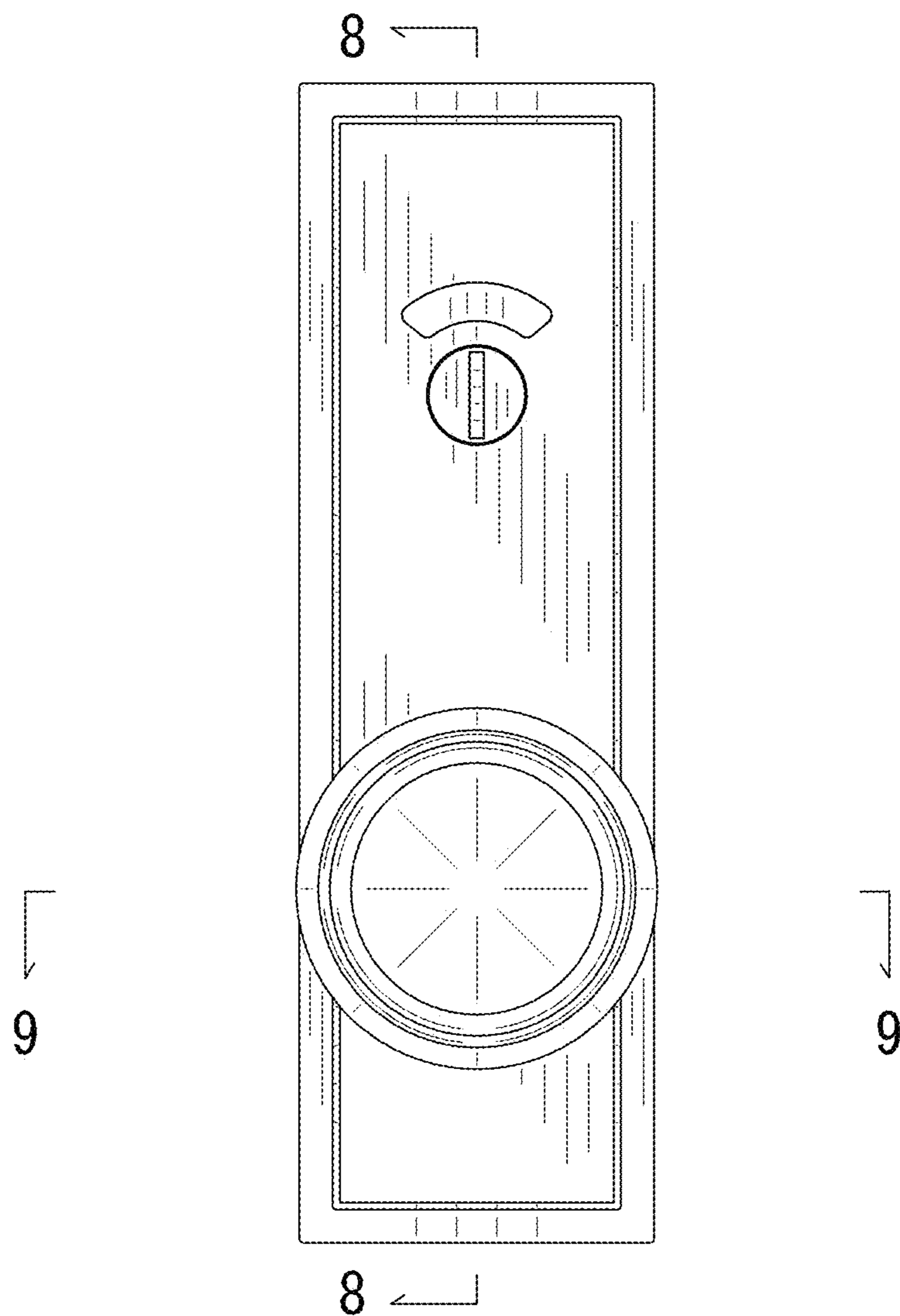


FIG. 3

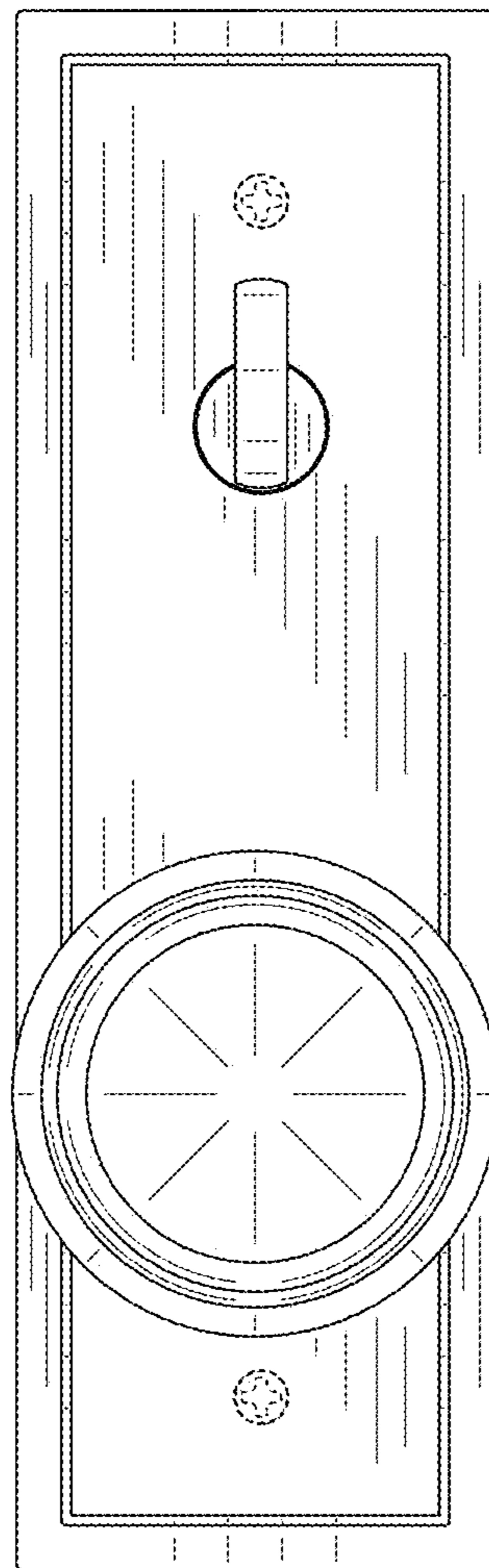


FIG. 4

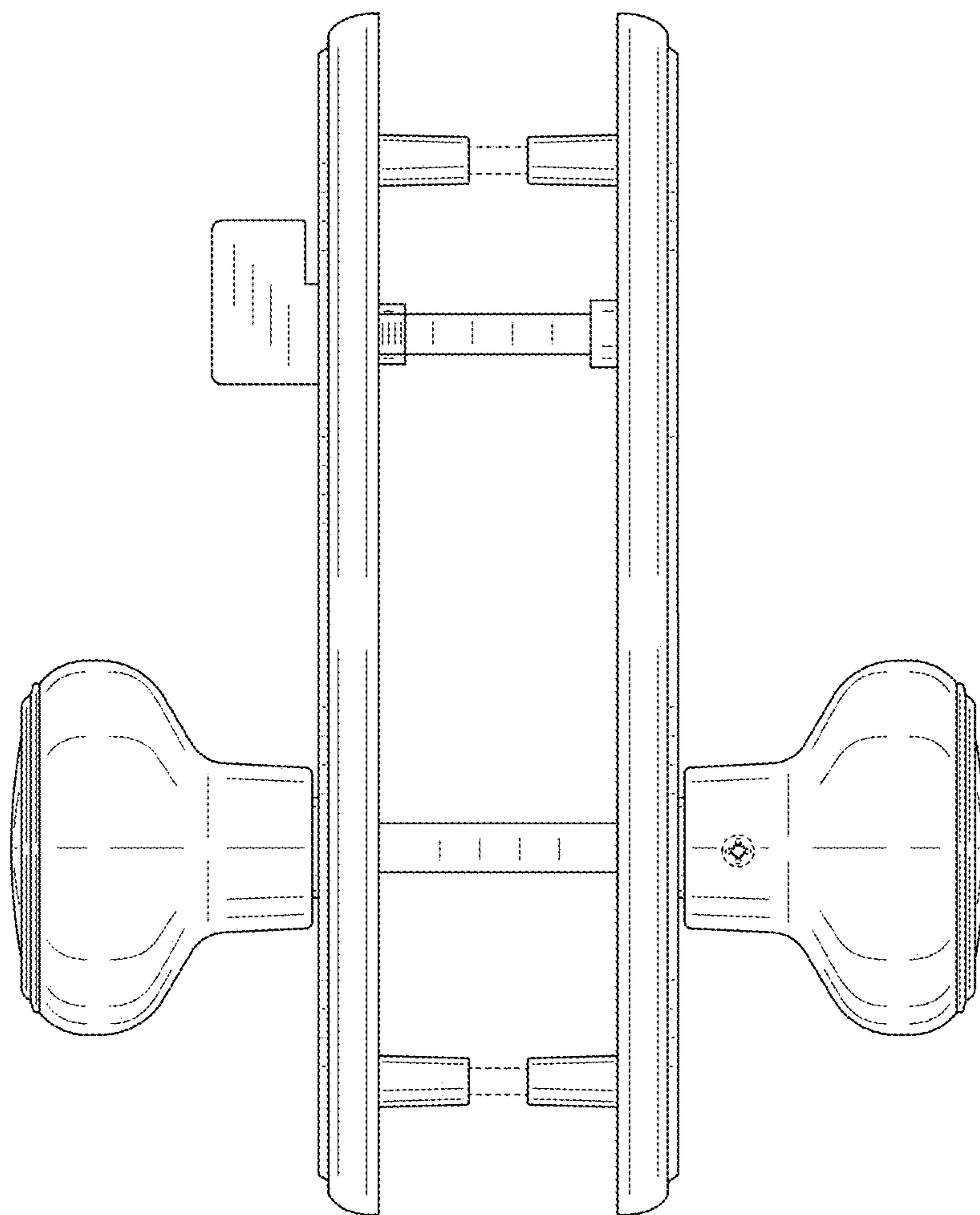


FIG. 5

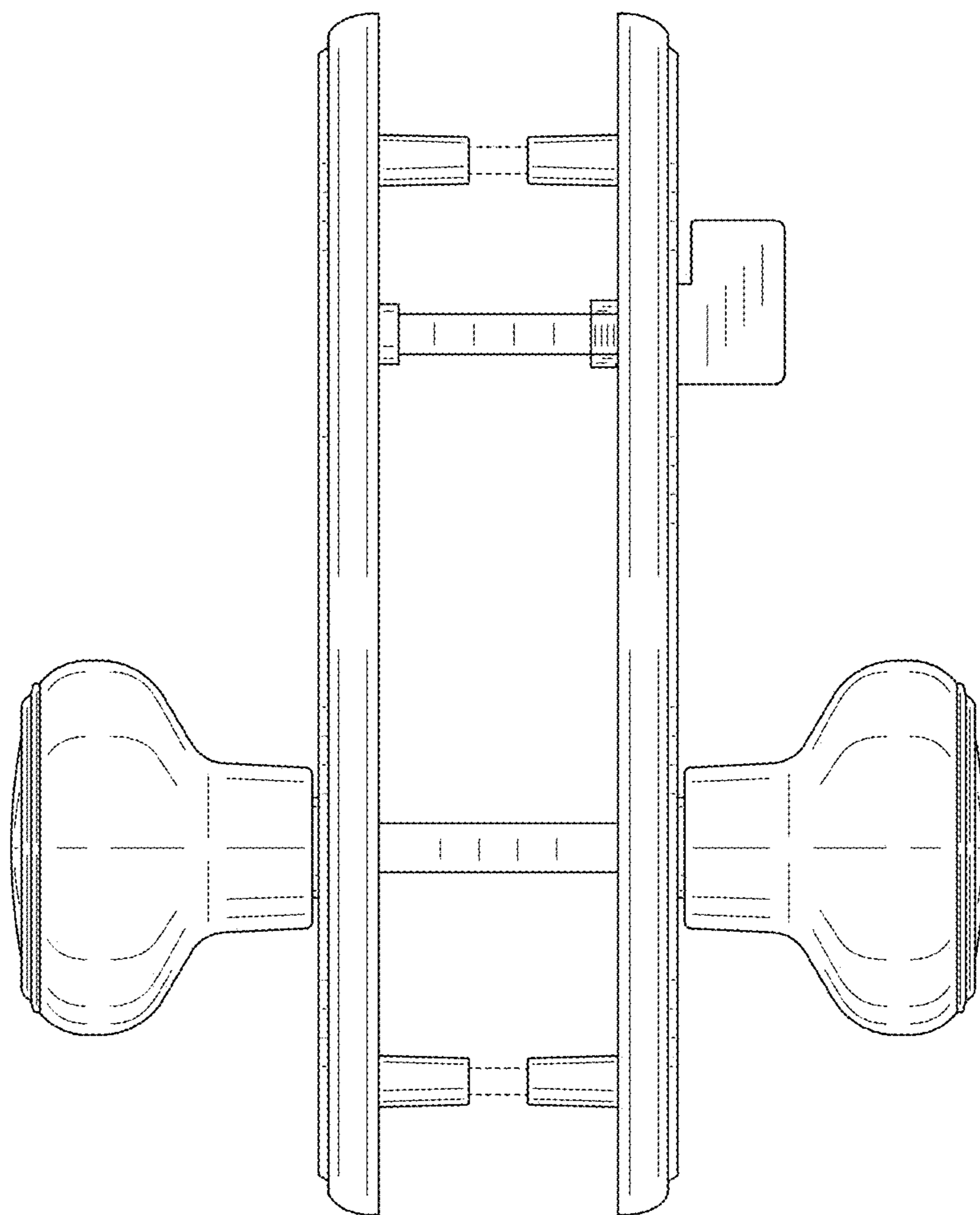


FIG. 6

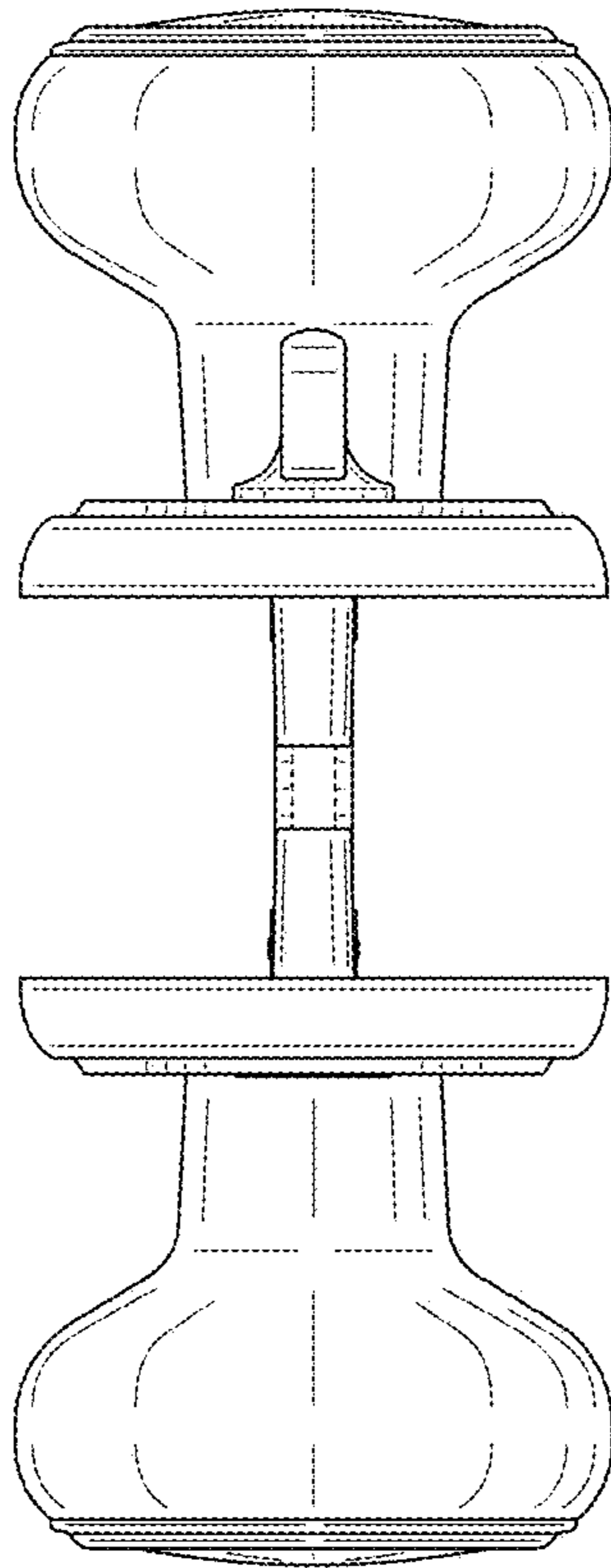


FIG. 7

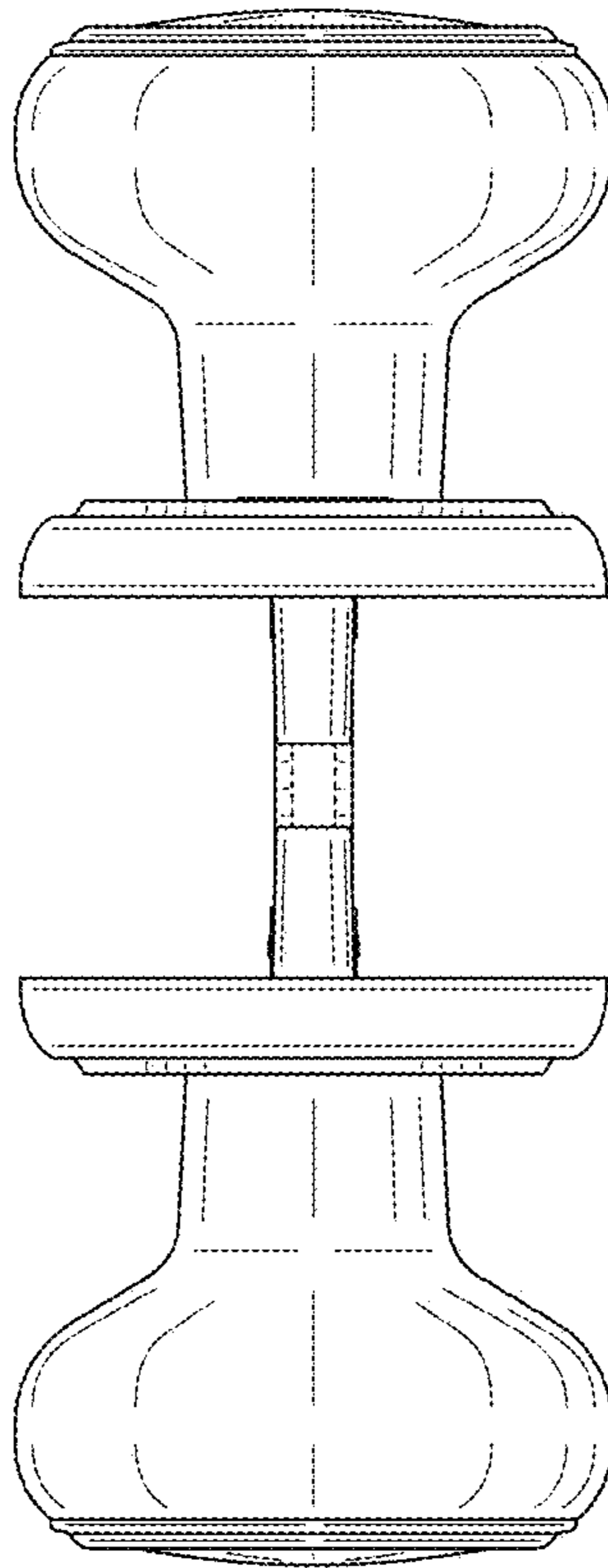


FIG. 8

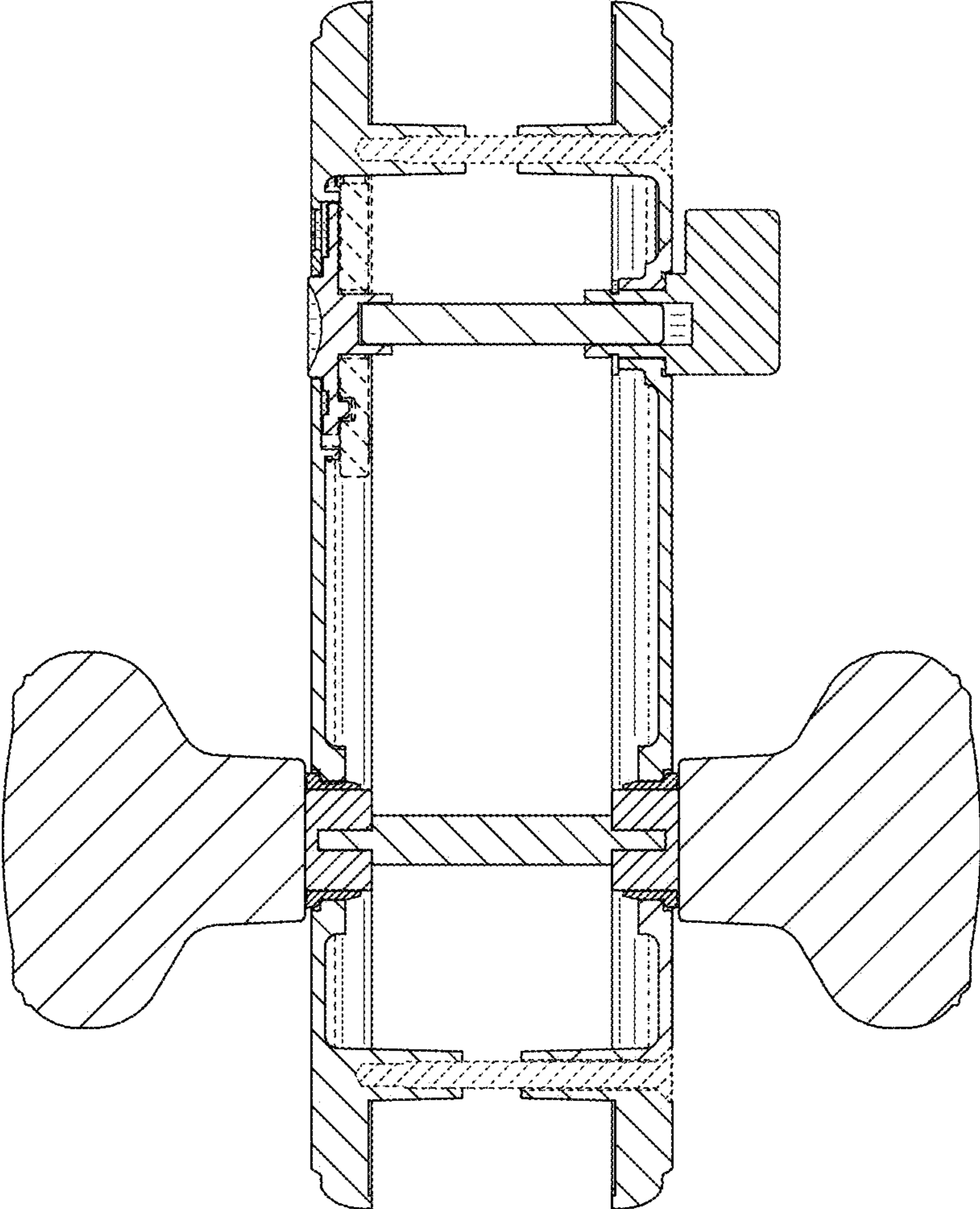


FIG. 9

