



US00D986023S

(12) **United States Design Patent**
Hawk et al.

(10) **Patent No.:** **US D986,023 S**
(45) **Date of Patent:** **** May 16, 2023**

- (54) **OTF KNIFE**
- (71) Applicant: **HAWK DESIGNS, INC.**, Idaho City, ID (US)
- (72) Inventors: **Gavin Dan Hawk**, Idaho City, ID (US); **Grant Woodrow Hawk**, Idaho City, ID (US)
- (73) Assignee: **Hawk Designs, Inc.**, Idaho City, ID (US)
- (**) Term: **15 Years**
- (21) Appl. No.: **29/801,920**
- (22) Filed: **Aug. 2, 2021**
- (51) **LOC (14) Cl.** **08-03**
- (52) **U.S. Cl.**
USPC **D8/99**
- (58) **Field of Classification Search**
USPC D8/98, 99, 100; D22/118
CPC B26B 5/001; B26B 5/003; B26B 11/00;
B26B 1/08; B26B 1/02; B26B 1/10;
B26B 1/04; B26B 1/042; B26B 1/048;
B26B 3/08; B26B 29/06
See application file for complete search history.

- D871,887 S * 1/2020 Marfione B26B 1/10
D8/99
- D889,239 S * 7/2020 Marfione B26B 11/00
D8/99
- D903,460 S * 12/2020 Marfione B26B 1/08
D8/99
- D924,655 S * 7/2021 Dickman B26B 1/08
D8/99
- D940,525 S * 1/2022 Brewer B26B 1/08
D8/99
- D945,240 S * 3/2022 Dickman B26B 1/10
D8/99
- 2007/0175045 A1 * 8/2007 McHenry B26B 1/08
30/162
- 2008/0222895 A1 * 9/2008 Marfione B26B 11/00
30/151
- 2008/0222897 A1 * 9/2008 Marfione B26B 1/08
30/162
- 2009/0235534 A1 * 9/2009 Chu B26B 1/10
30/162
- 2014/0173911 A1 * 6/2014 Chu B26B 1/08
30/162
- 2021/0276204 A1 * 9/2021 Marfione B26B 1/10
(Continued)

Primary Examiner — Philip S Hyder
(74) *Attorney, Agent, or Firm* — Parsons Behle & Latimer

(57) **CLAIM**
The ornamental design for a OTF knife, as shown.

(56) **References Cited**

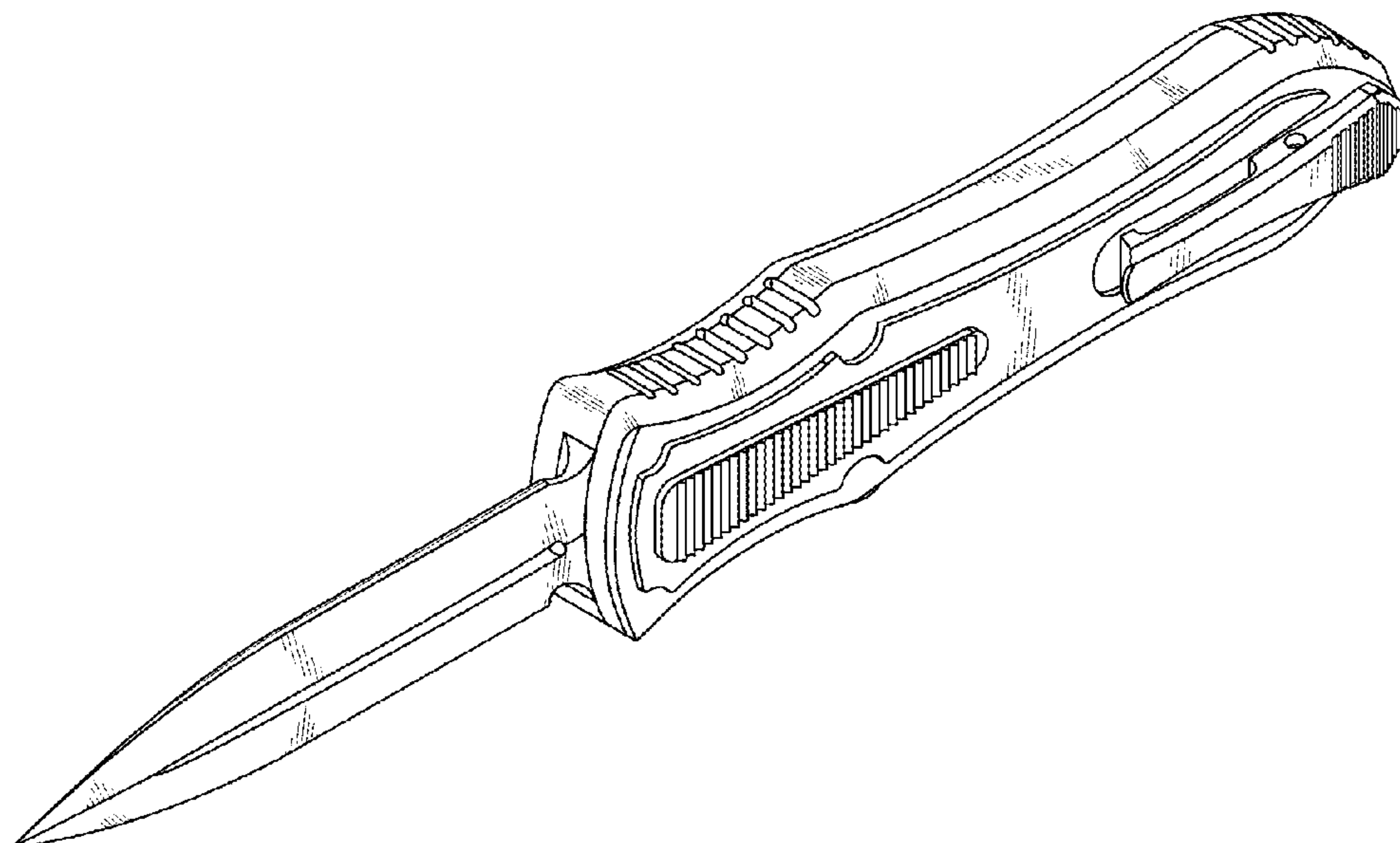
U.S. PATENT DOCUMENTS

- 6,085,423 A * 7/2000 Marifone B26B 1/08
30/162
- D510,514 S * 10/2005 Ray D8/99
- 9,375,854 B2 * 6/2016 Chu B26B 1/08
- 9,498,889 B1 * 11/2016 Hawk B26B 1/08
- D796,932 S * 9/2017 Sung D8/99
- 10,220,527 B1 * 3/2019 Marfione B26B 1/08
- D870,532 S * 12/2019 Marfione B26B 1/08
D8/99
- D871,187 S * 12/2019 Marfione B26B 1/08
D8/99

DESCRIPTION

FIG. 1 is a perspective view showing the OTF knife embodying the new design.
FIG. 2 is a front elevational view thereof.
FIG. 3 is a rear elevational view thereof.
FIG. 4 is a right side elevational view thereof.
FIG. 5 is a left side elevational view thereof.
FIG. 6 is a bottom plan view thereof; and,
FIG. 7 is a top plan view thereof.

1 Claim, 2 Drawing Sheets



(56)

References Cited

U.S. PATENT DOCUMENTS

2021/0299893 A1* 9/2021 Eckelkamp B26B 1/08
2022/0055233 A1* 2/2022 Delplanche B26B 1/08

* cited by examiner

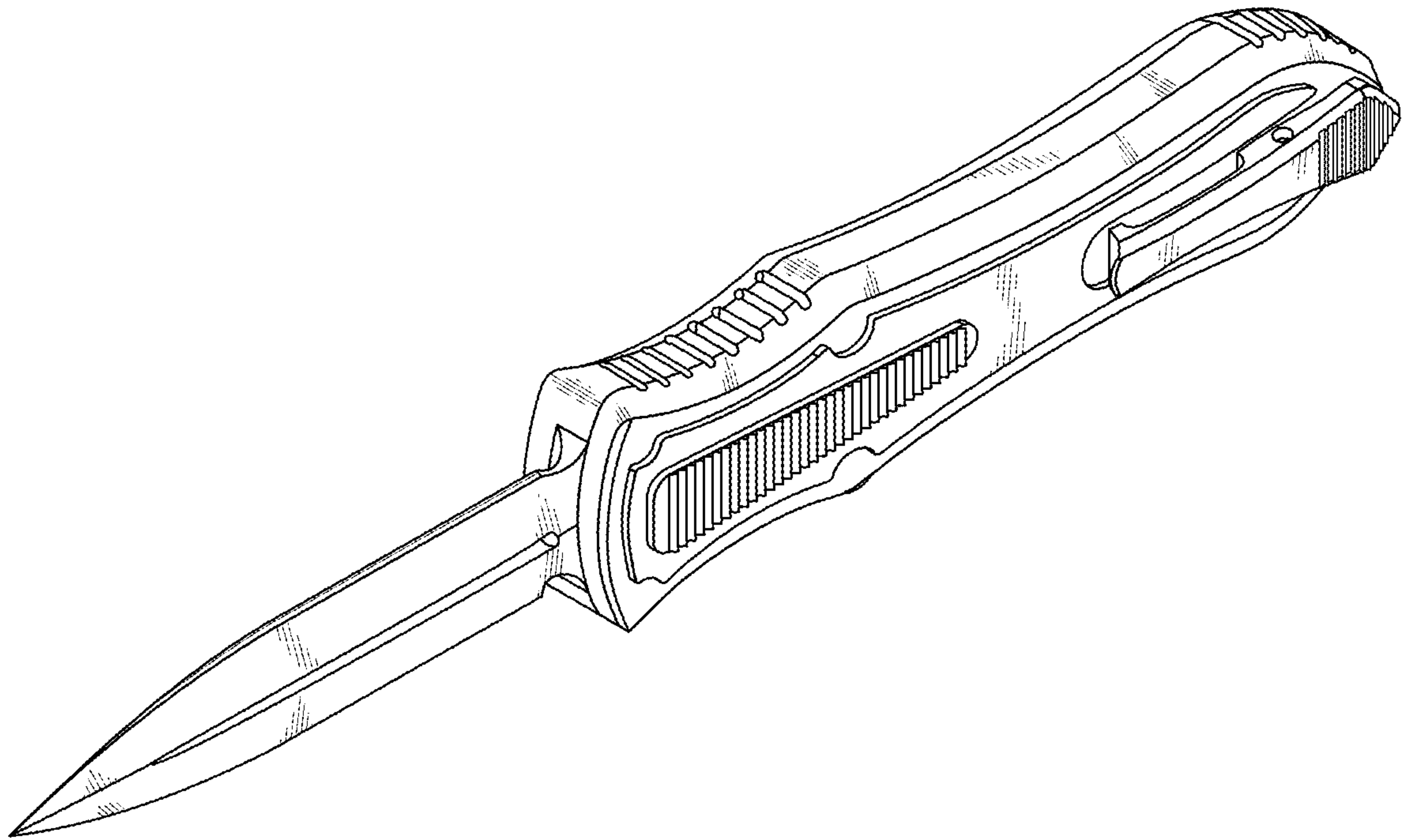


FIG. 1

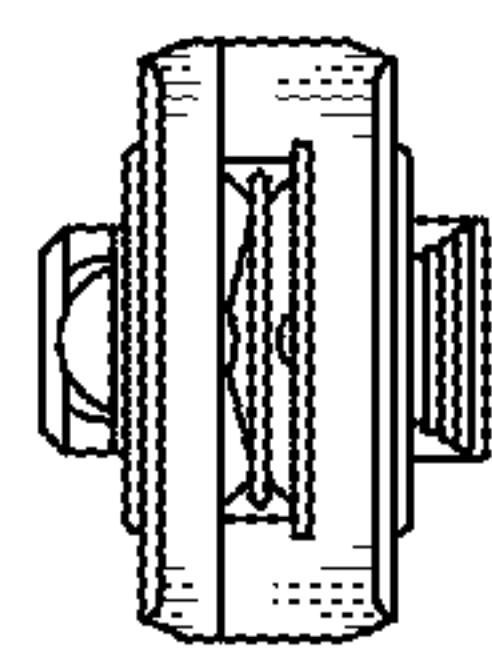


FIG. 2

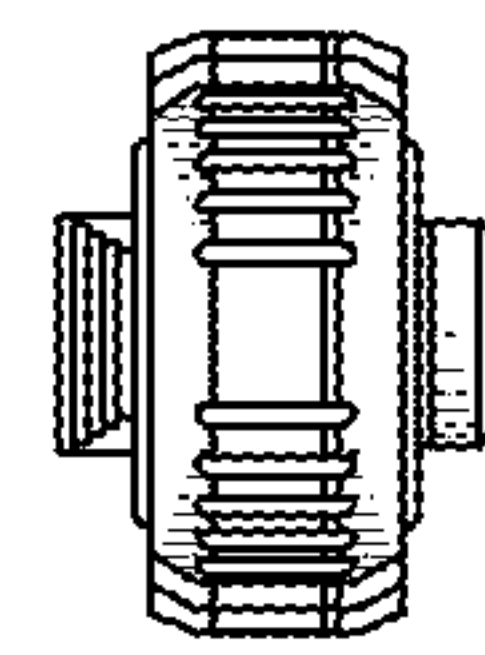


FIG. 3

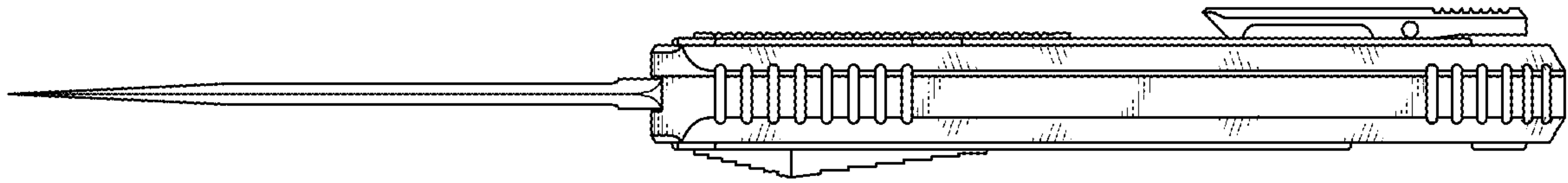


FIG. 4

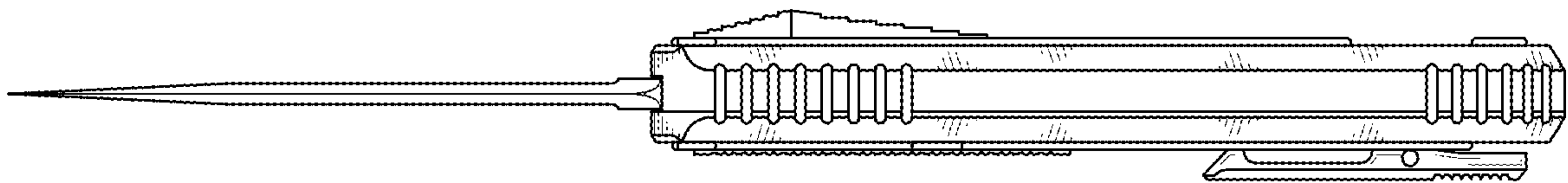


FIG. 5

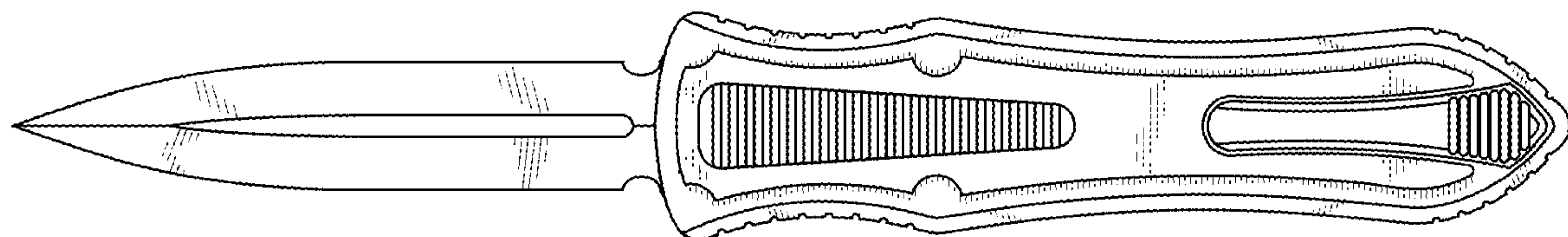


FIG. 6

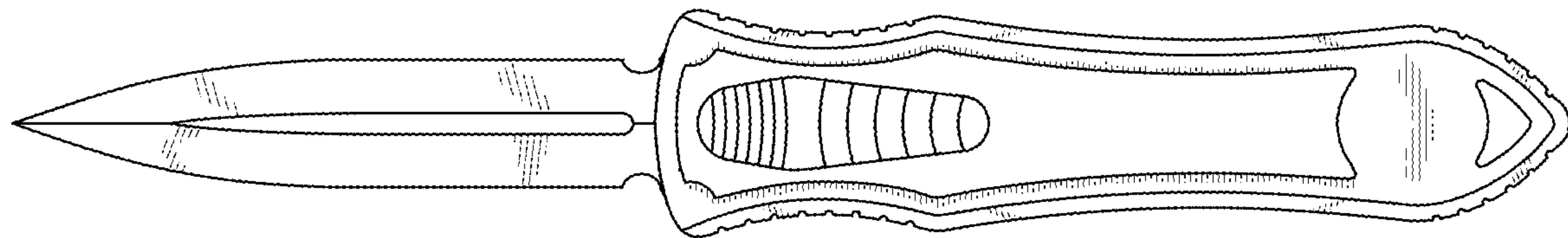


FIG. 7