



US00D986020S

(12) **United States Design Patent**
Hall

(10) **Patent No.:** **US D986,020 S**

(45) **Date of Patent:** **** May 16, 2023**

(54) **DRAWER JIG**

(71) Applicant: **Taylor James Hall**, Palatine, IL (US)

(72) Inventor: **Taylor James Hall**, Palatine, IL (US)

(73) Assignee: **Nomis LLC**, Elgin, IL (US)

(**) Term: **15 Years**

(21) Appl. No.: **29/784,908**

(22) Filed: **May 21, 2021**

(51) **LOC (14) Cl.** **08-05**

(52) **U.S. Cl.**
USPC **D8/71**

(58) **Field of Classification Search**

USPC D8/14, 16, 70-71, 322, 377
CPC A47B 88/423; A47B 88/433; B23B 47/28;
B23B 47/287; B23B 2247/12; B23B
2260/088; B25H 1/0078; B25H 7/00;
Y10S 408/712; Y10T 408/5653; Y10T
408/567

See application file for complete search history.

(56) **References Cited**

U.S. PATENT DOCUMENTS

- 4,556,205 A 12/1985 Rock et al.
- D334,700 S * 4/1993 Eller D8/71
- 5,560,408 A * 10/1996 DiFranco B23Q 35/02
144/365
- D380,953 S * 7/1997 Norgaard D8/71
- 6,719,282 B2 4/2004 Frank
- 7,281,338 B2 * 10/2007 Ziegmann A47B 88/423
33/645
- 7,979,998 B2 7/2011 Ziegmann
- D690,180 S * 9/2013 Del Rossa D15/140
- D775,506 S * 1/2017 Wenning D8/71
- D824,741 S * 8/2018 Davis D8/71
- 10,251,483 B2 4/2019 Crowley et al.
- 10,470,567 B1 * 11/2019 Wenning B25B 9/02

- D903,456 S * 12/2020 Hall D15/138
- D951,052 S * 5/2022 Choi D8/71
- 2005/0084344 A1 * 4/2005 Dods B23B 47/287
408/67
- 2011/0107615 A1 * 5/2011 Ziegmann A47B 88/423
33/645
- 2011/0135411 A1 * 6/2011 Inman B23Q 11/0046
408/67

OTHER PUBLICATIONS

“Rockler Universal Drawer Slide Jig”, Dec. 10, 2014, Amazon.com, site visited Sep. 29, 2022: <https://www.amazon.com/Rockler-Universal-Drawer-Slide-Jig/dp/B00QTZC314> (Year: 2014).
“Kreg Drawer Slide Jig (New Version)”, Jan. 19, 2020, Amazon.com, site visited Sep. 29, 2022: <https://www.amazon.com/dp/B0841ZLKJM> (Year: 2020).*

(Continued)

Primary Examiner — Jack Reickel

Assistant Examiner — Michael A Kervin

(74) *Attorney, Agent, or Firm* — Reinhart Boerner Van Deuren P.C.

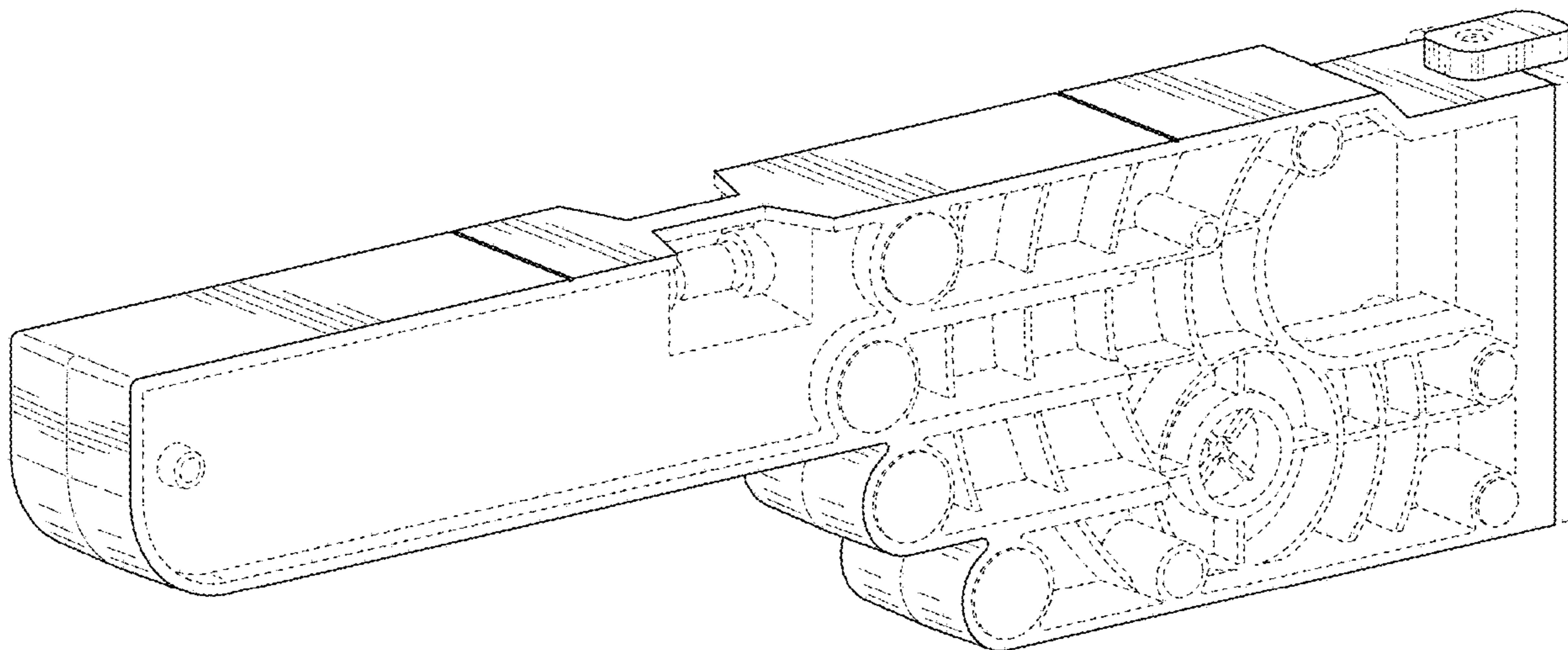
(57) **CLAIM**

I claim the ornamental design for the drawer jig, as shown and described.

DESCRIPTION

FIG. 1 is a top perspective view of the drawer jig;
FIG. 2 is a bottom perspective view thereof;
FIG. 3 is a front view thereof;
FIG. 4 is a back view thereof;
FIG. 5 is a side view thereof;
FIG. 6 is a side view thereof showing the side opposite that shown in FIG. 5;
FIG. 7 is a top view thereof; and,
FIG. 8 is a bottom view thereof.
The broken lines form no part of the claimed design.

1 Claim, 6 Drawing Sheets



(56)

References Cited

OTHER PUBLICATIONS

“Milescraft 1341 Drawer Jig”, Feb. 28, 2022, Amazon.com, site visited Sep. 29, 2022: <https://www.amazon.com/Milescraft-1341-Drawer-Jig-Installation/dp/B09TLCNJBW> (Year: 2022).*

Kreg Drawer Slid Jig; https://www.amazon.com/Kreg-Tool-Company-KHI-SLIDE-Drawer/dp/B01L2T0IDQ/ref=sxin_2_ac_d_pm?ac_md=1-0-VW5kZXIgdDI1-ac_d_pm&keywords=drawer+slide+jig&pd_rd_i=B01L2T0IDQ&pd_rd_r=5a7b9576-86d6-4ba7-a28b-b9960135920d&pd_rd_w=F38IJ&pd_rd_wg=f4om6&pf_rd_p=24d053a8-30a1-4822-a2ff-4d1ab2b984fc&pf_rd_r=WXHC6E83YF2DDRNXNFDJG&pvc=1&qid=1574174081; Known to the applicant on or before Nov. 8, 2019.

Rockler Universal Drawer Slide Jig; https://www.amazon.com/Rockler-Universal-Drawer-Slide-Jig/dp/B00QTZC314/ref=sr_1_22_sspa?keywords=drawer+slide+jig&qid=1574174081&sr=8-22-spons&pvc=1&spLa=ZW5jcnlwdGVkUXVhbGlmaWVyPUEyREY1VkQxR0NJT0ZZJmVuY3J5cHRIZEFkPUEwNTIxNzY5SDNIRFk4SDNIUEQ1JmVuY3J5cHRIZEFkSWQ9QTZMTA3NTMxQUxaVUhNVENYSEJSJndpZGldE5hbWU9c3BfbXRmJmFjdGlvbjljG

ljalJIZGlyZWN0JmRyTm90TG9nQ2xpY2s9dHJ1ZQ; Known to the applicant on or before Nov. 8, 2019.

Ascendons Universal Jig; https://www.amazon.com/ASCENDONS-Universal-Jig%EF%BC%8CCabinet-Furniture-Extension/dp/B07QVZMN7B/ref=sr_1_8?keywords=drawer+slide+jig&qid=1574174081&sr=8-8; Known to the applicant on or before Nov. 8, 2019.

Rockler Undermount Drawer Slide Jig; https://www.amazon.com/Rockler-Undermount-Drawer-Slide-Jig/dp/B0132UTWZS/ref=sr_1_7?keywords=drawer+slide+jig&qid=1574173985&sr=8-7; Known to the applicant on or before Nov. 8, 2019.

Blum Minifix Jig; https://www.amazon.com/Blum-65-3300-Metabox-Accessories-Minifix/dp/B001DTIT3O/ref=sr_1_37?keywords=drawer+slide+jig&qid=1574174081&sr=8-37; Known to the applicant on or before Nov. 8, 2019.

Drawer Slide Mounting Tool; https://www.amazon.com/Drawer-Slide-Mounting-Tool/dp/B017Z3F1B2/ref=sr_1_158?keywords=drawer+slide+jig&qid=1574174360&sr=8-158; Known to the applicant on or before Nov. 8, 2019.

Hanfas Drawer Slide; <https://hanfas.com/drawer-slider-jig-3-station/>; Known to the Applicant on or before Nov. 8, 2019.

* cited by examiner

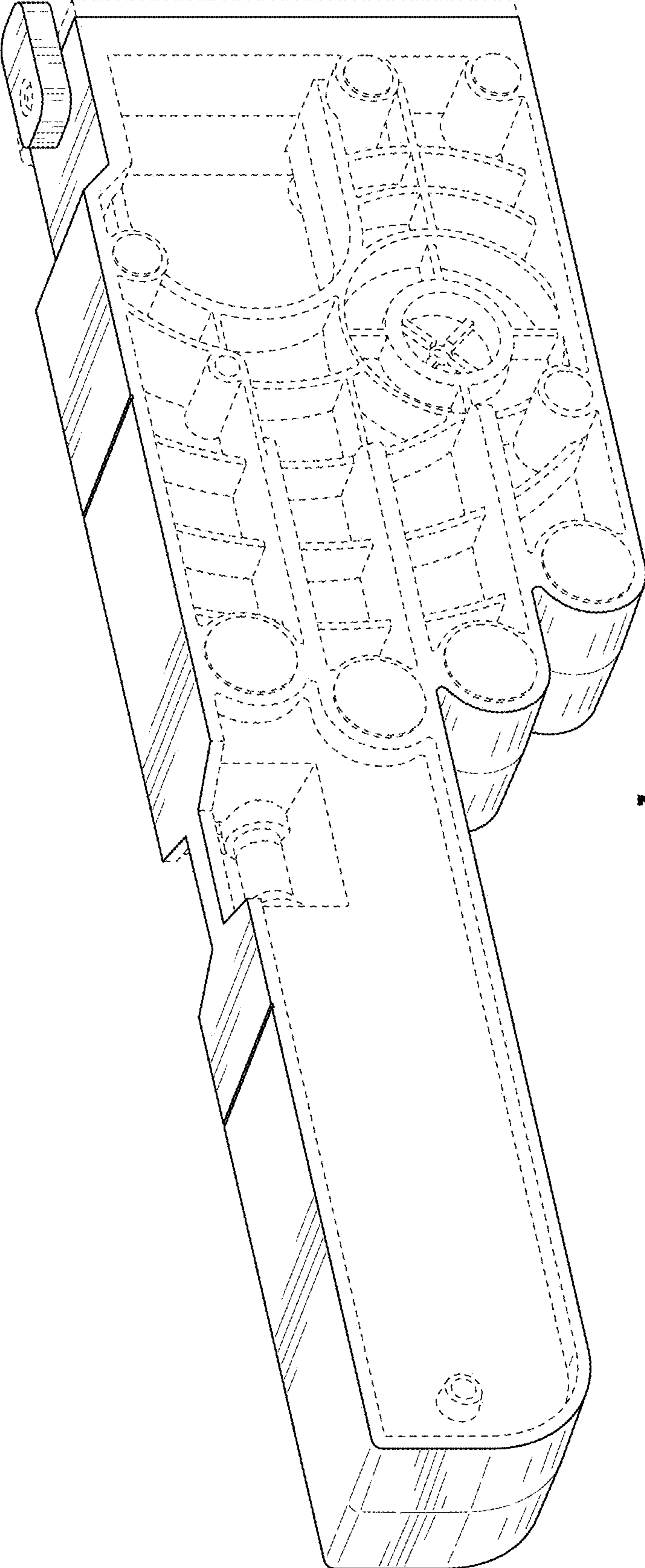


FIG. 1

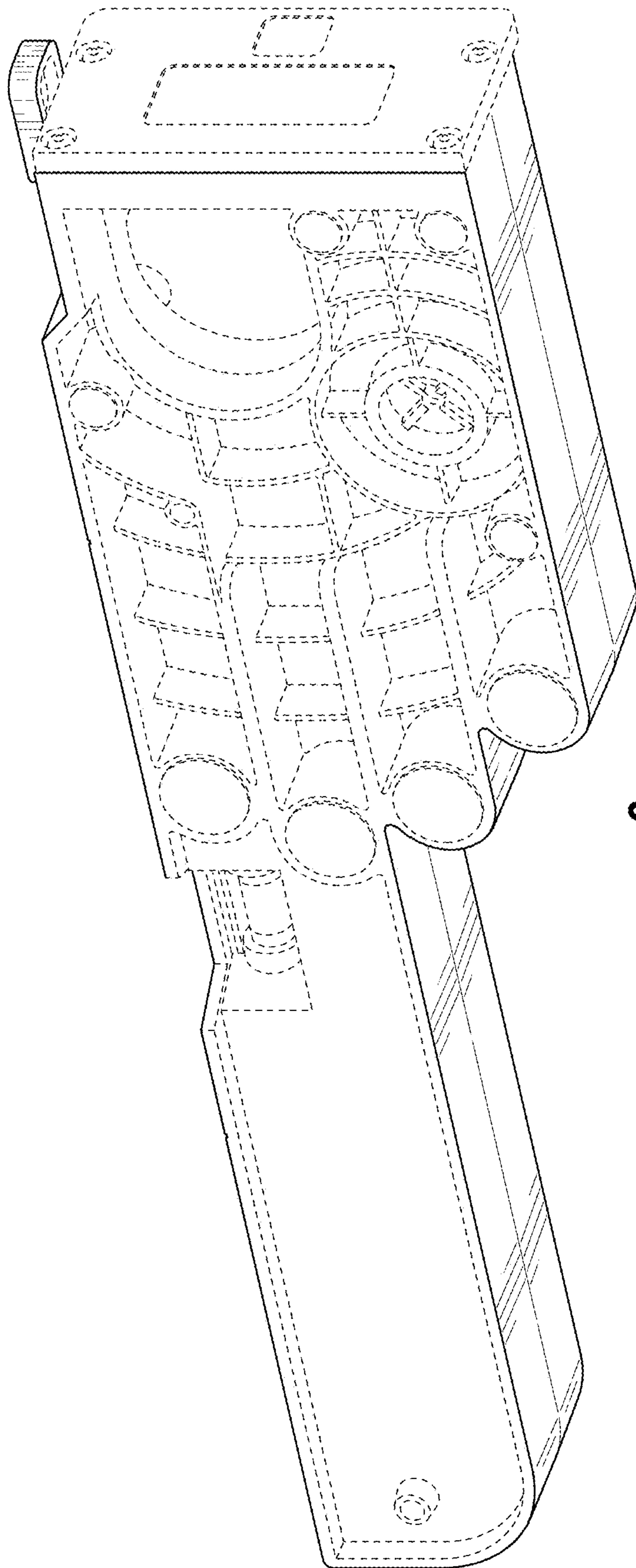


FIG. 2

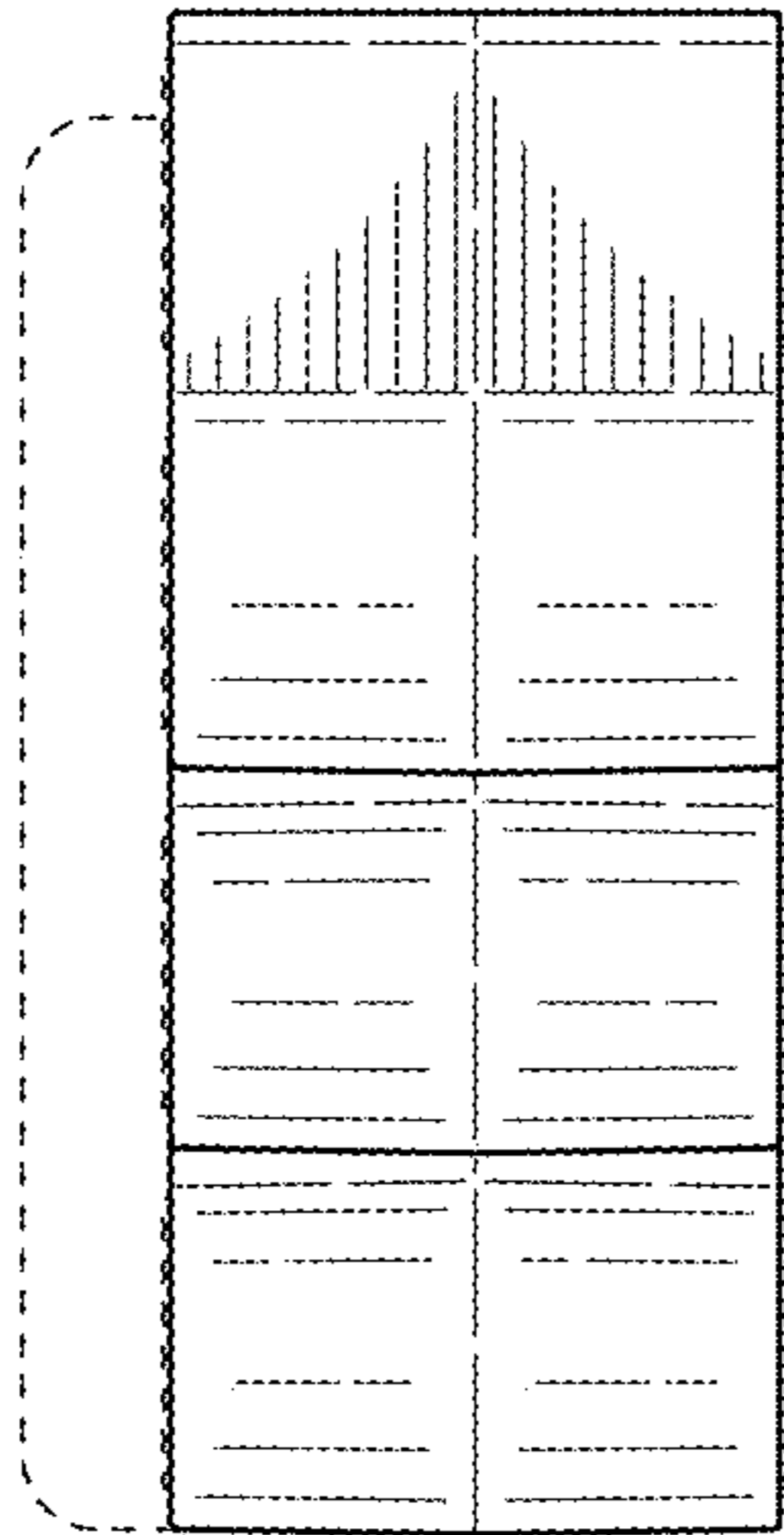


FIG. 3

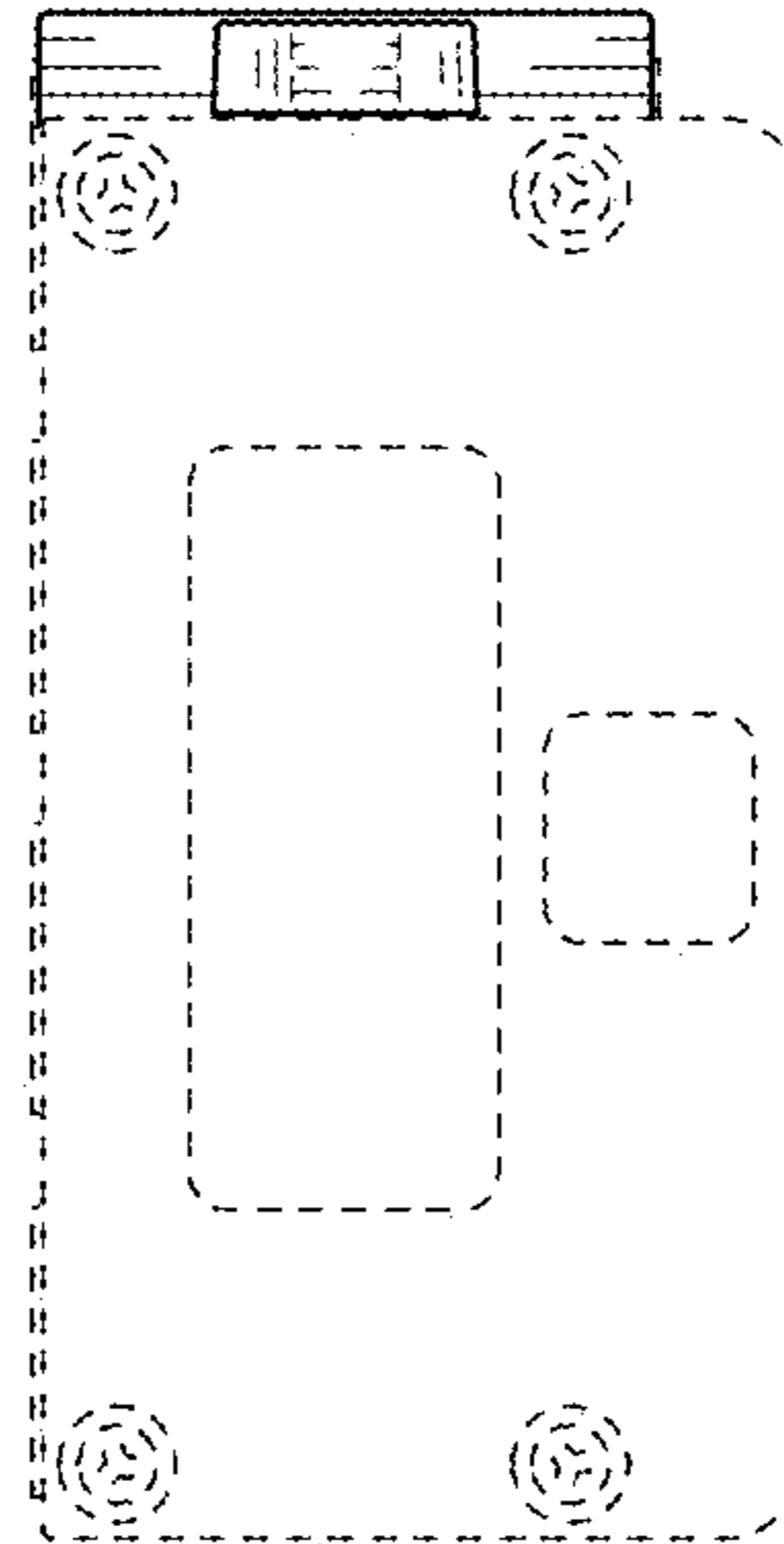
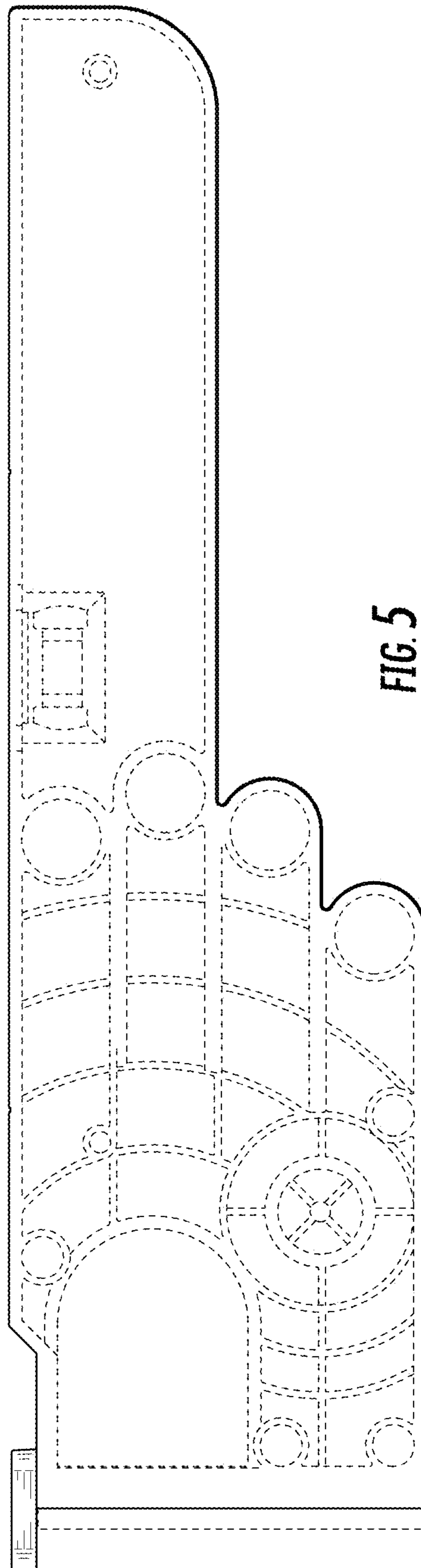


FIG. 4



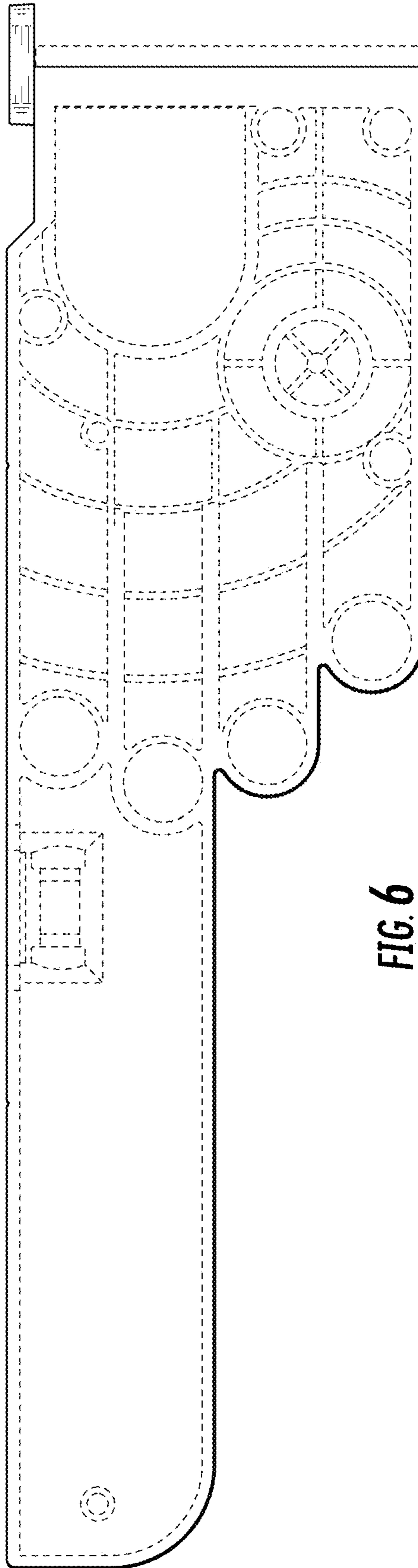


FIG. 6

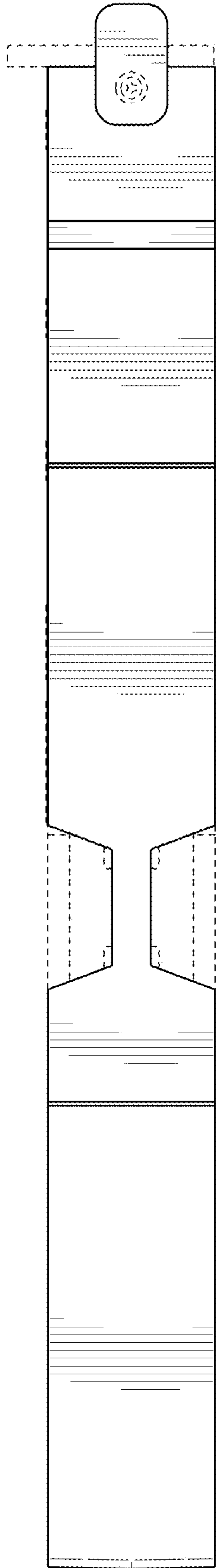


FIG. 7

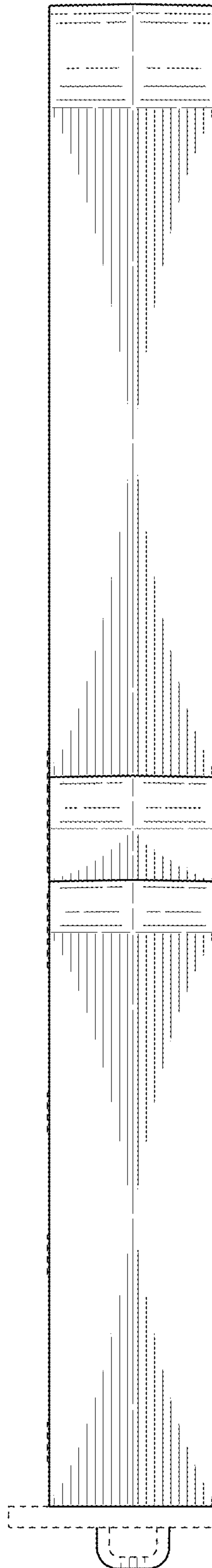


FIG. 8