



US00D986017S

(12) **United States Design Patent**
Smith et al.

(10) **Patent No.:** **US D986,017 S**

(45) **Date of Patent:** **** May 16, 2023**

(54) **GRABBER TOOL**

(71) Applicant: **Unger Marketing International, LLC**,
Bridgeport, CT (US)

(72) Inventors: **Robert F. Smith**, Waterbury, CT (US);
James M. Buckley, New Hartford, CT
(US); **Joseph K. Patterson**, Monroe,
CT (US)

(73) Assignee: **Unger Marketing International**,
Bridgeport, CT (US)

(**) Term: **15 Years**

(21) Appl. No.: **29/723,732**

(22) Filed: **Feb. 10, 2020**

(51) **LOC (14) Cl.** **08-05**

(52) **U.S. Cl.**
USPC **D8/51**

(58) **Field of Classification Search**
USPC D8/4, 14, 51, 52
CPC B25B 9/00; E01H 1/12; B25J 1/04
See application file for complete search history.

(56) **References Cited**

U.S. PATENT DOCUMENTS

1,120,735	A	12/1914	Moyer	
3,591,226	A	7/1971	Hobson, Jr.	
D235,130	S *	5/1975	Helm	D8/51
4,225,174	A	9/1980	Hennessy et al.	
4,863,204	A	9/1989	Peters	
4,962,957	A	10/1990	Traber	
6,520,556	B1	2/2003	Hsu	
D498,998	S *	11/2004	Paumen	D8/54
6,848,731	B2	2/2005	Khubani et al.	
D582,233	S	12/2008	Bensussan et al.	
D591,120	S *	4/2009	Buzby	D8/51
D591,121	S *	4/2009	Buzby	D8/51
D591,122	S *	4/2009	Buzby	D8/51

D604,577	S *	11/2009	Bensussan	D8/51
D617,619	S *	6/2010	Bensussan	D8/51
D655,589	S *	3/2012	Owens	D8/51
D683,427	S *	5/2013	Moore	D23/226
9,132,544	B2	9/2015	Levkus	
9,486,915	B2	11/2016	Buzby et al.	
D780,547	S *	3/2017	Kovarik	D8/51

(Continued)

Primary Examiner — Deanna L Pratt

(74) *Attorney, Agent, or Firm* — McCarter & English,
LLP; Dave S. Christensen

(57) **CLAIM**

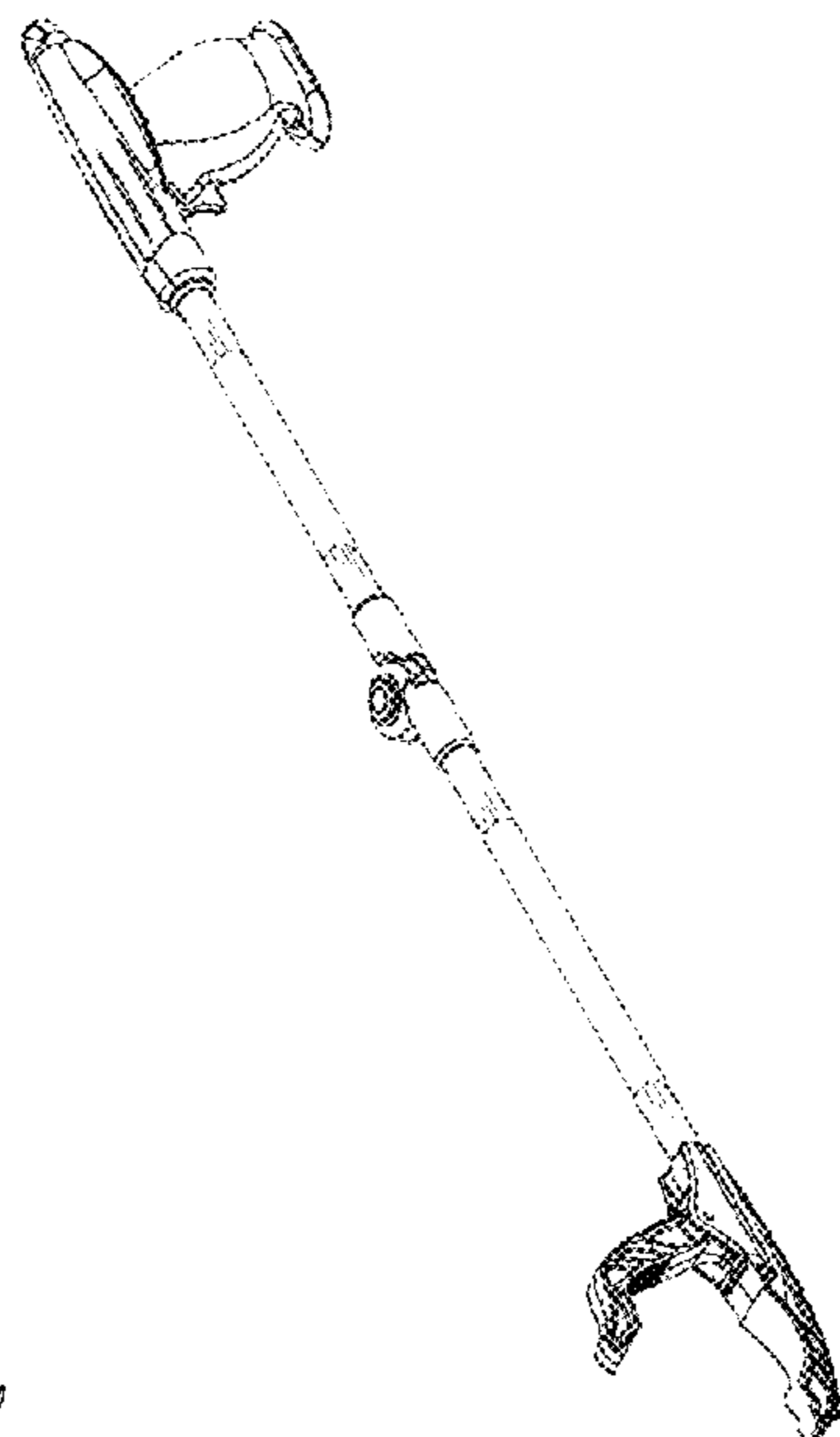
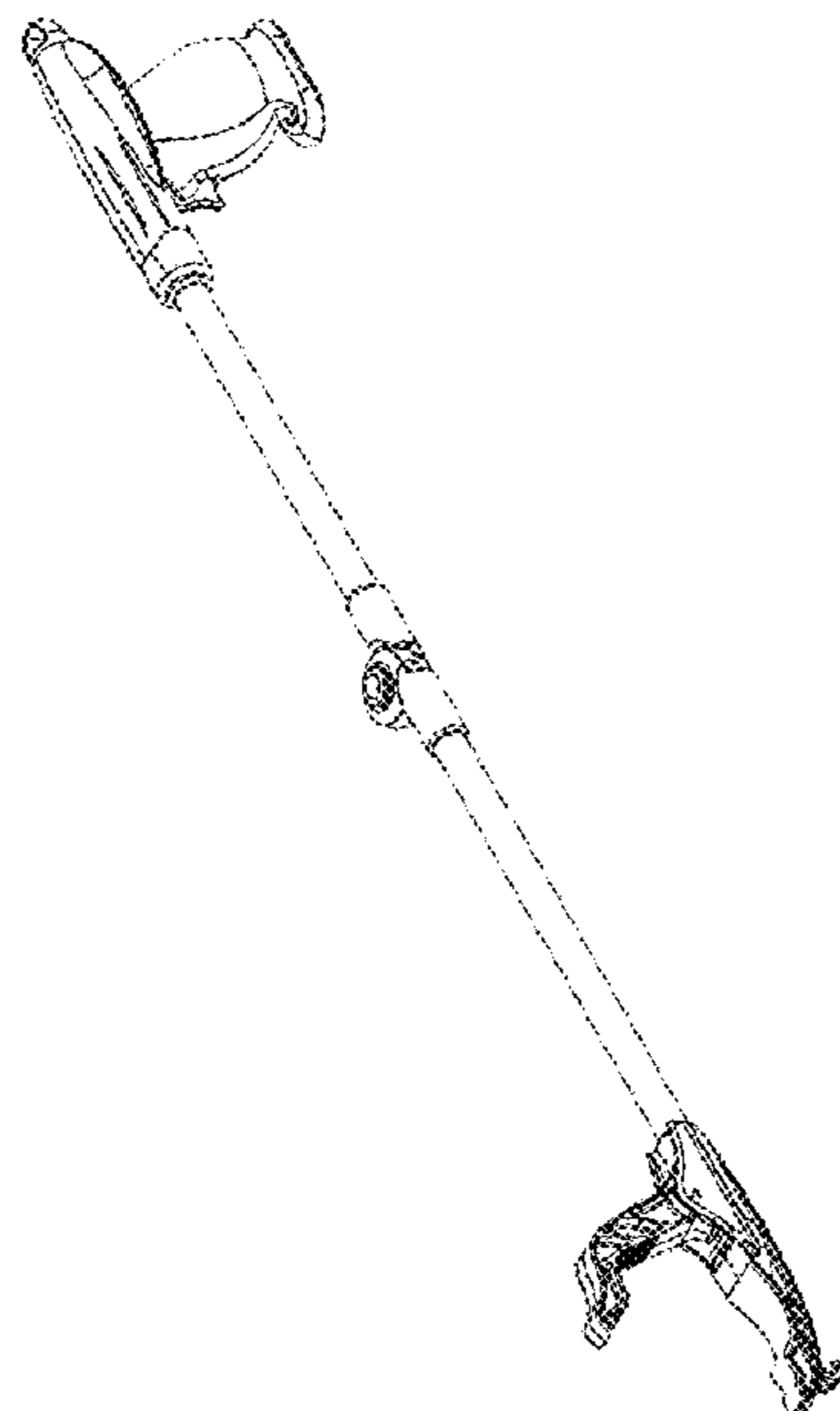
We claim, the ornamental design for a grabber tool, as shown and described.

DESCRIPTION

FIG. 1 is a front top perspective view of a first embodiment; FIG. 2 is a front view of the embodiment of FIG. 1; FIG. 3 is a rear view of the embodiment of FIG. 1; FIG. 4 is a first side view of the embodiment of FIG. 1; FIG. 5 is a second side view of the embodiment of FIG. 1; FIG. 6 is a top view of the embodiment of FIG. 1; FIG. 7 is a bottom view of the embodiment of FIG. 1; FIG. 8 is a top perspective view of the embodiment of FIG. 1 in a folded position; FIG. 9 is a front top perspective view of a second embodiment; FIG. 10 is a front view of the embodiment of FIG. 9; FIG. 11 is a rear view of the embodiment of FIG. 9; FIG. 12 is a first side view of the embodiment of FIG. 9; and, FIG. 13 is a second side view of the embodiment of FIG. 9, the top view being the same as FIG. 6 and the bottom view being the same as FIG. 7.

The broken lines in FIGS. 9-13 of the drawing disclosure illustrate portions of the grabber tool that form no part of the claimed design.

1 Claim, 13 Drawing Sheets



(56)

References Cited

U.S. PATENT DOCUMENTS

D788,556 S * 6/2017 James D8/51
D792,180 S * 7/2017 Reda D8/51
9,878,444 B1 1/2018 Harrington et al.
9,931,748 B2 4/2018 Buzby et al.
10,500,715 B1 * 12/2019 Fleming B25J 18/04
D887,805 S * 6/2020 Fleming D8/51
2007/0085358 A1 4/2007 Robinson et al.
2014/0008930 A1 1/2014 James

* cited by examiner

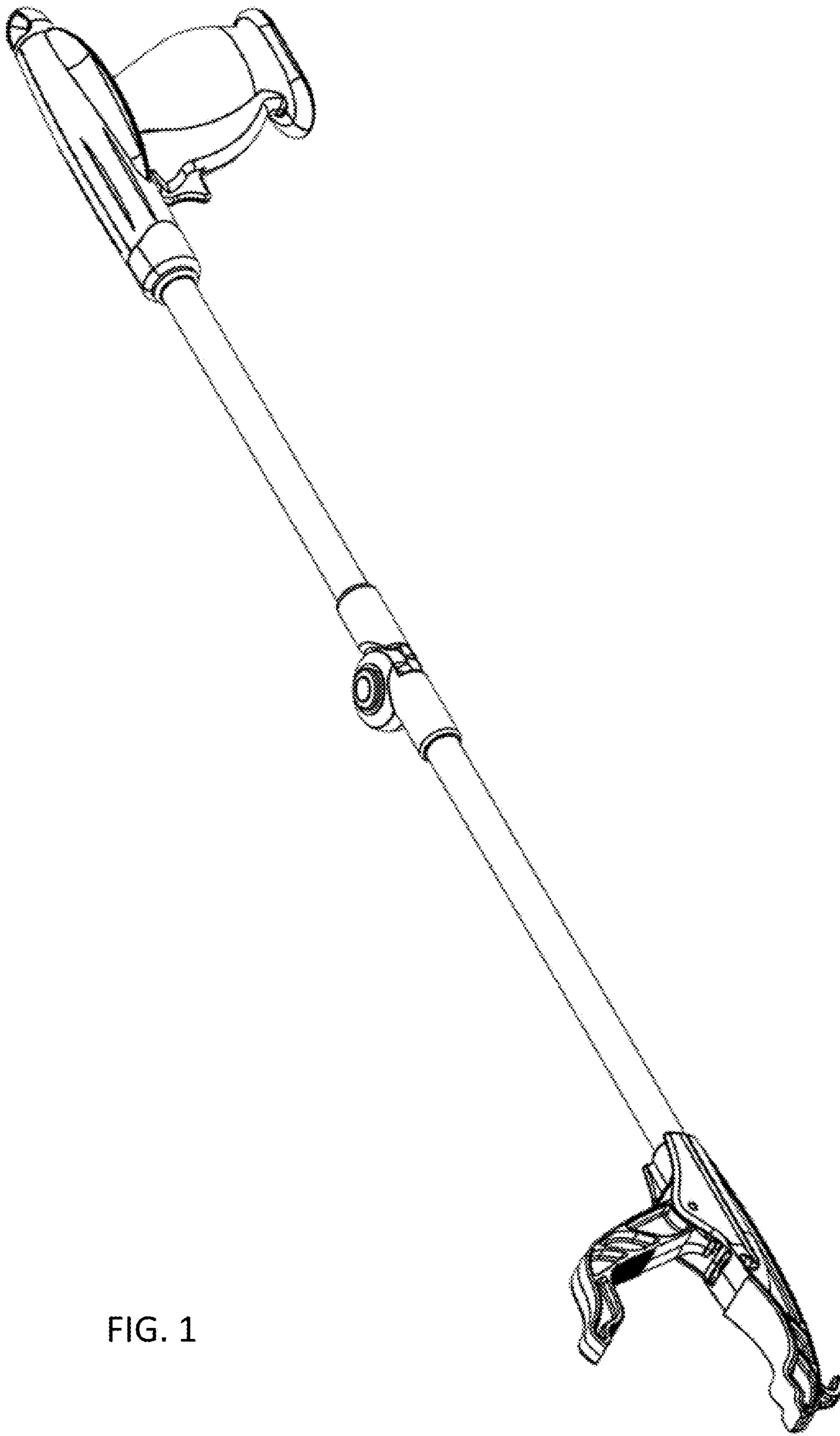


FIG. 1

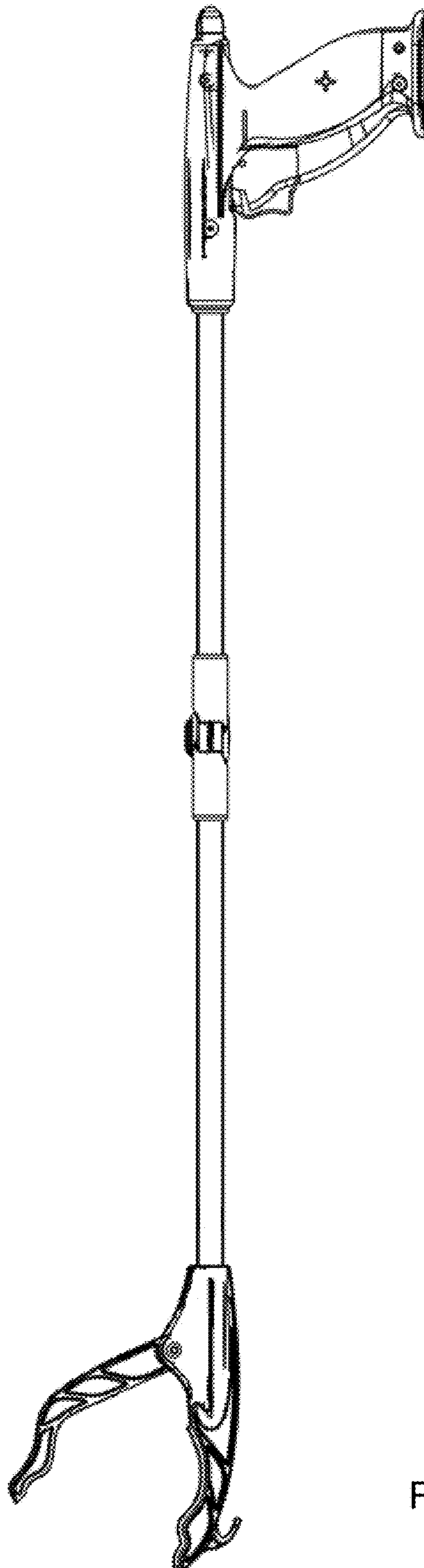


FIG. 2

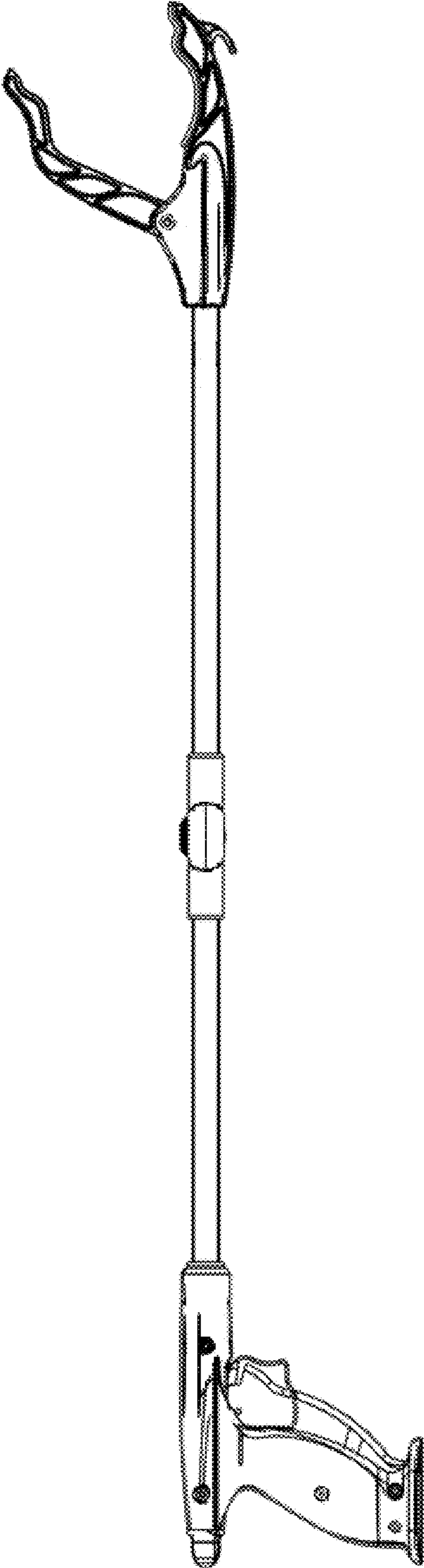


FIG. 3

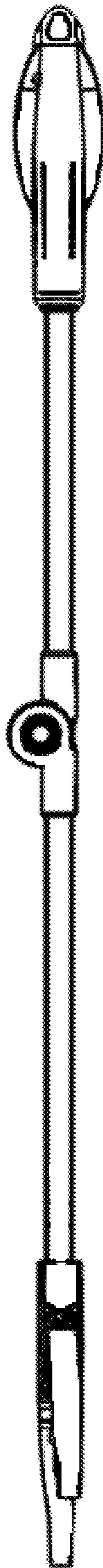


FIG. 4

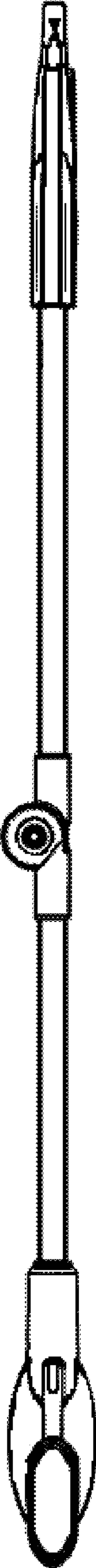


FIG. 5

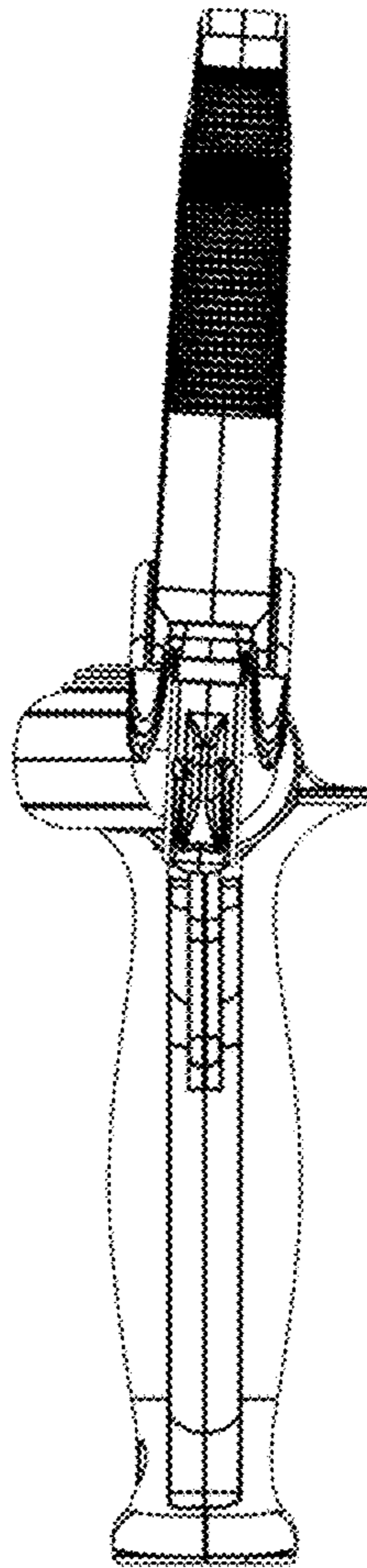


FIG. 6

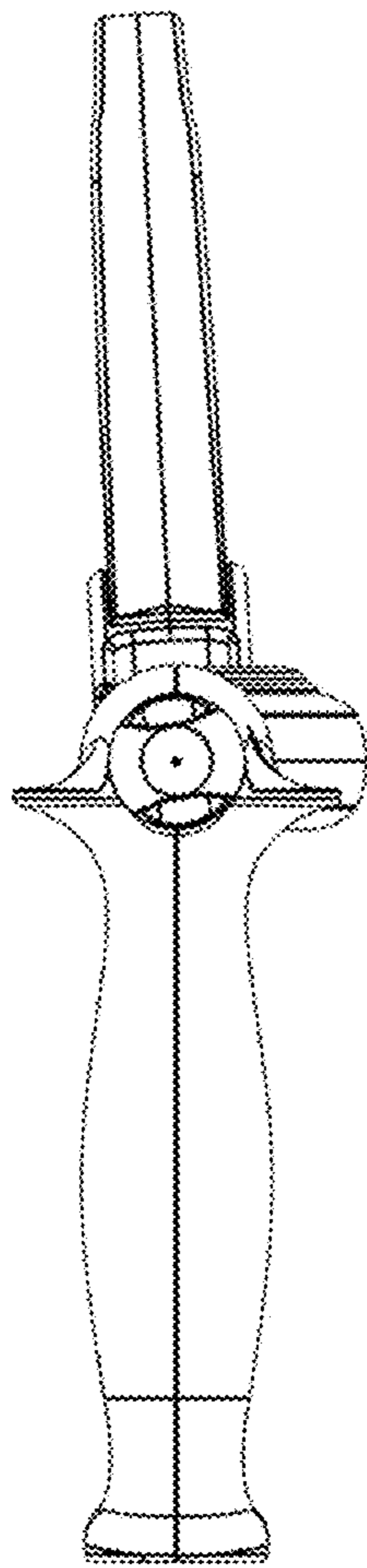


FIG. 7

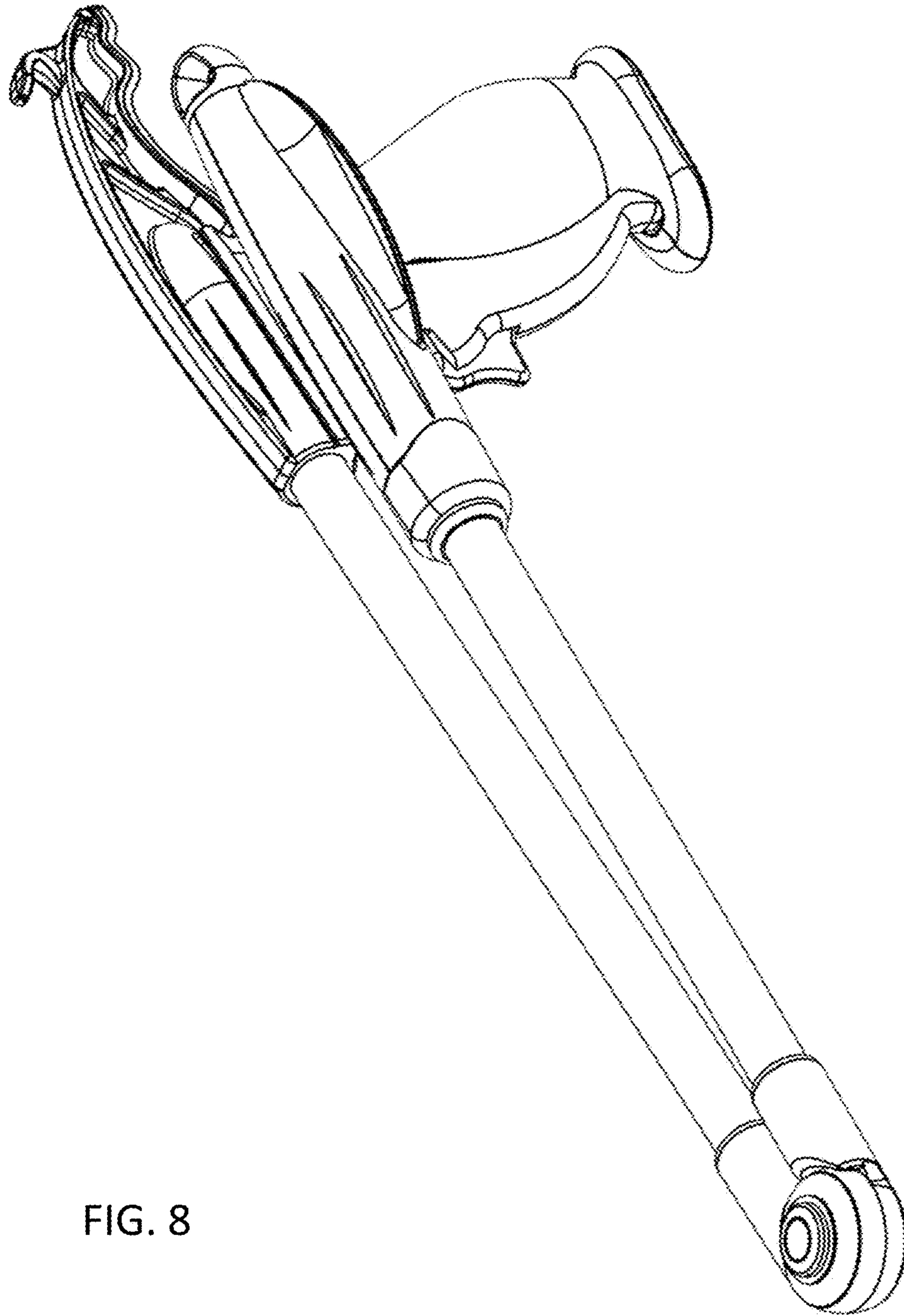


FIG. 8

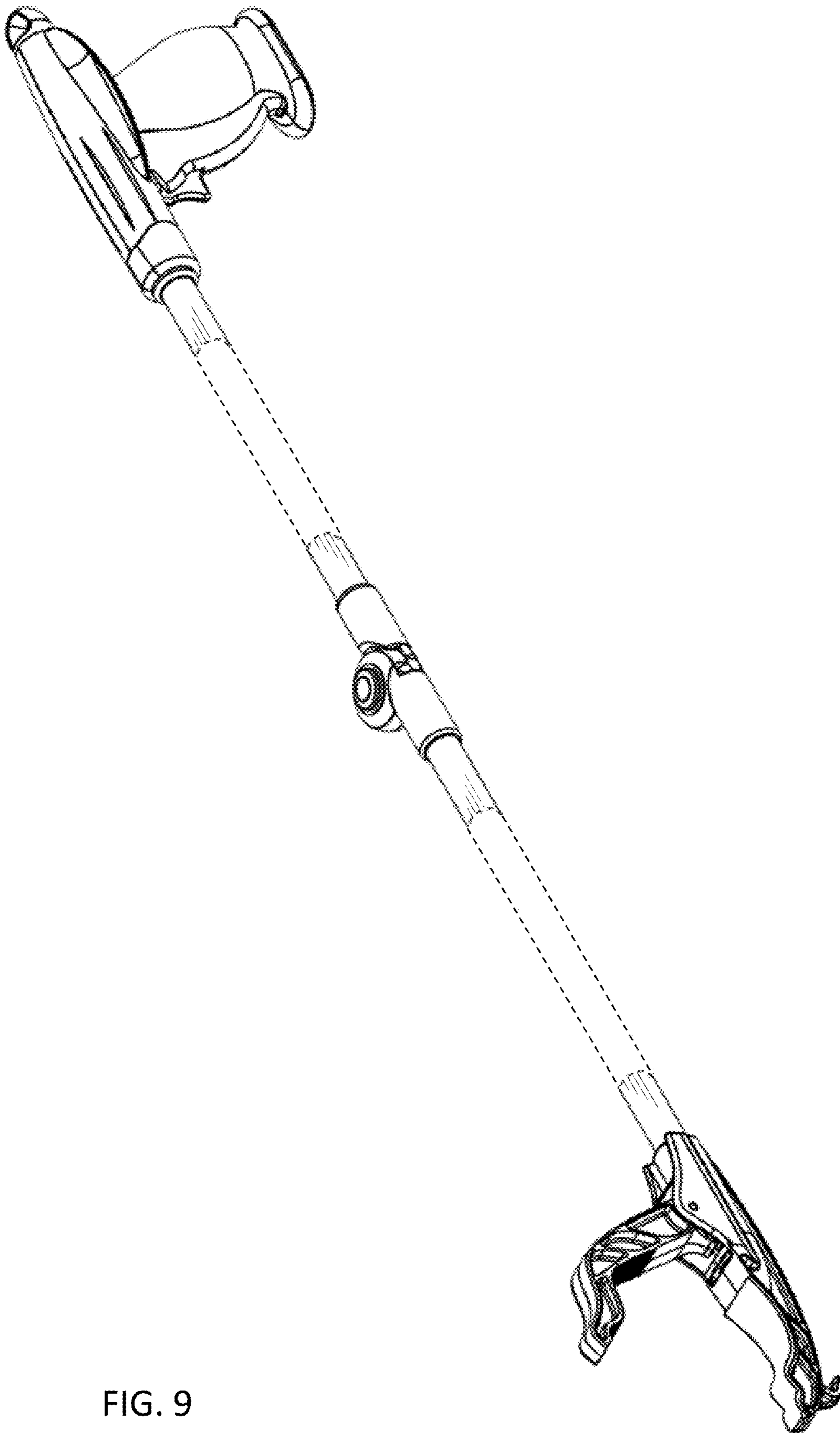


FIG. 9

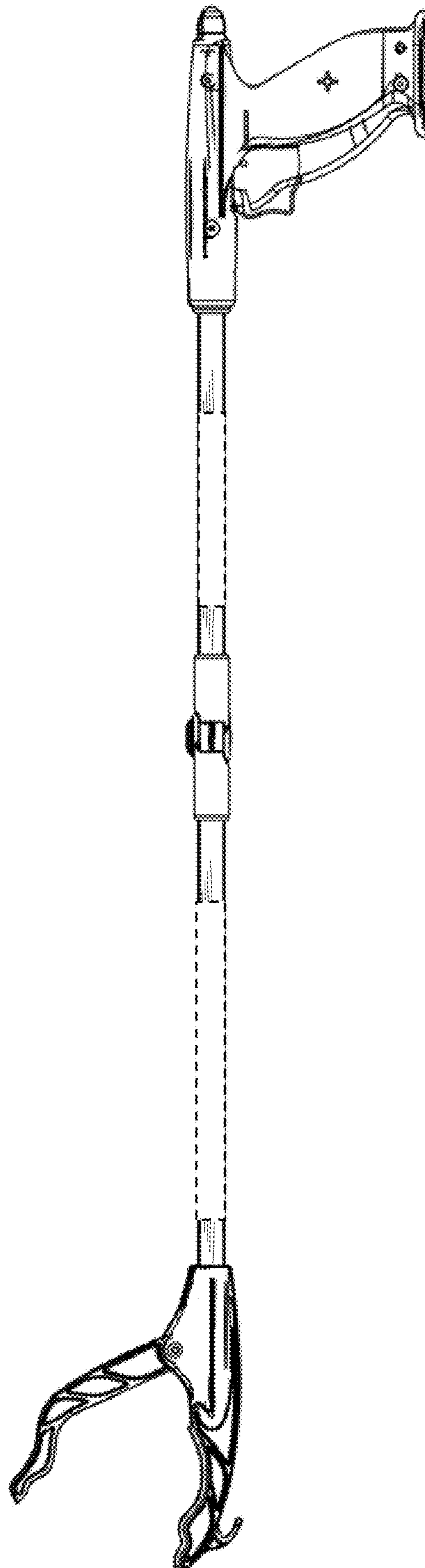


FIG. 10

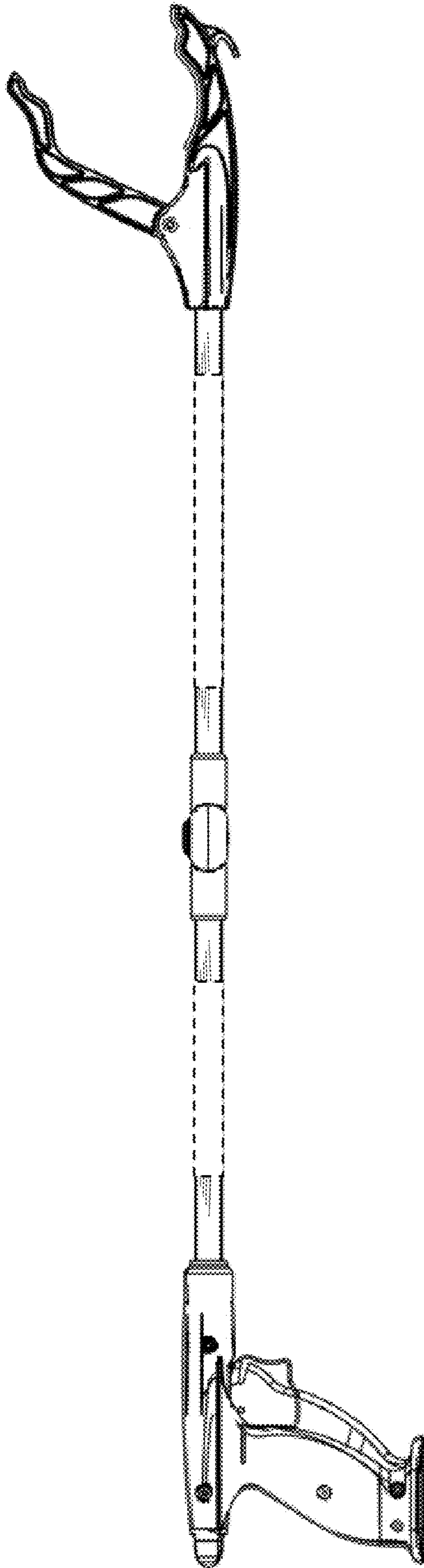


FIG. 11

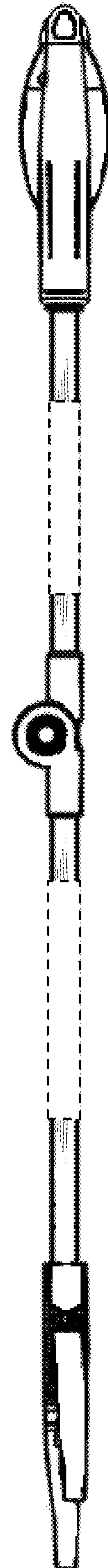


FIG. 12

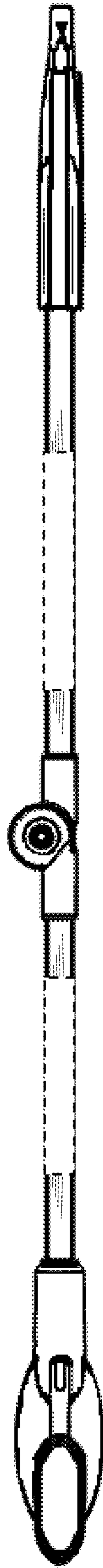


FIG. 13