



US00D986016S

(12) **United States Design Patent** (10) **Patent No.:** **US D986,016 S**
Harger (45) **Date of Patent:** **** May 16, 2023**

(54) **INSTALLATION TOOL FOR A T-POST OR A ROD**

(71) Applicant: **Michael Henderson Harger**, Yuba City, CA (US)

(72) Inventor: **Michael Henderson Harger**, Yuba City, CA (US)

(**) Term: **15 Years**

(21) Appl. No.: **29/851,359**

(22) Filed: **Aug. 26, 2022**

Related U.S. Application Data

(63) Continuation of application No. 29/811,671, filed on Oct. 15, 2021.

(51) **LOC (14) Cl.** **08-05**

(52) **U.S. Cl.**
USPC **D8/14**

(58) **Field of Classification Search**
USPC D8/1, 14, 75, 88, 89, 107
CPC E01F 9/608; E01F 9/629; E04H 17/2631;
B25D 1/16
See application file for complete search history.

(56) **References Cited**

U.S. PATENT DOCUMENTS

- 4,470,440 A * 9/1984 Thor B27L 7/005
81/463
- 4,813,494 A * 3/1989 Beard B25D 1/12
173/91
- 5,020,605 A * 6/1991 Leishman E01F 9/608
173/1

- 5,029,651 A * 7/1991 Ubbink B25D 1/16
173/90
- D332,205 S * 1/1993 Sessions D8/349
- D462,588 S * 9/2002 Kisby D21/679
- D850,877 S * 6/2019 Zhang D8/55
- 2007/0181320 A1* 8/2007 Mason B25D 1/16
173/90
- 2008/0257113 A1* 10/2008 Neumarkel B25D 1/16
81/27
- 2011/0068236 A1* 3/2011 Austin, III A47G 29/1216
248/156
- 2018/0202188 A1* 7/2018 Dishman E04H 17/263

* cited by examiner

Primary Examiner — Philip S Hyder

(74) *Attorney, Agent, or Firm* — Barry Choobin; Patent 360

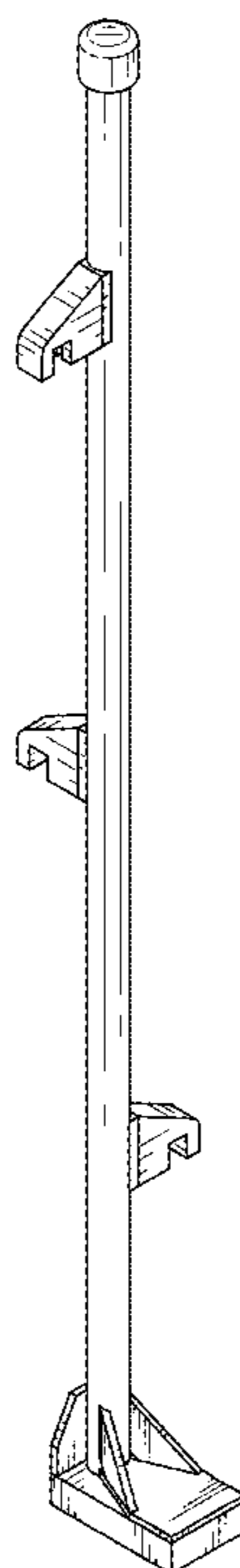
(57) **CLAIM**

The ornamental design for an installation tool for a T-post or a rod, as shown and described.

DESCRIPTION

FIG. 1 is a perspective view of the installation tool for a T-post or a rod, showing my new design;
FIG. 2 is a front view thereof;
FIG. 3 is a rear view thereof;
FIG. 4 is a right side view thereof;
FIG. 5 is a left side view thereof;
FIG. 6 is a top view thereof;
FIG. 7 is a bottom view thereof; and,
FIG. 8 is a cross-sectional view taken along the line 8-8 of FIG. 6.

1 Claim, 7 Drawing Sheets



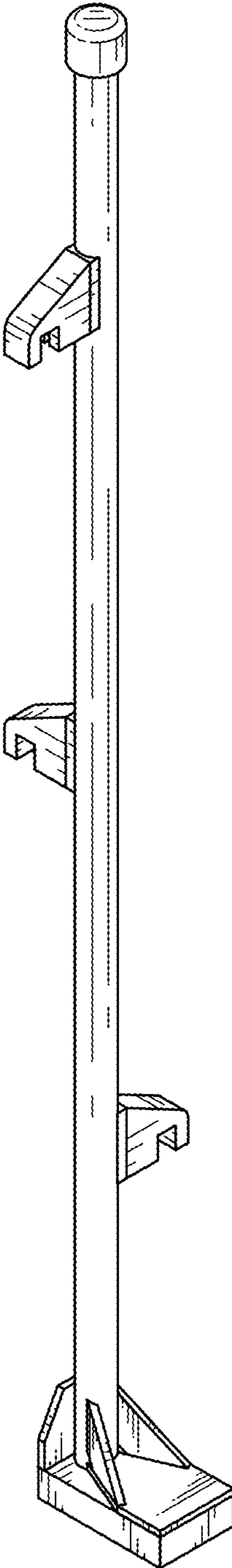


FIG. 1

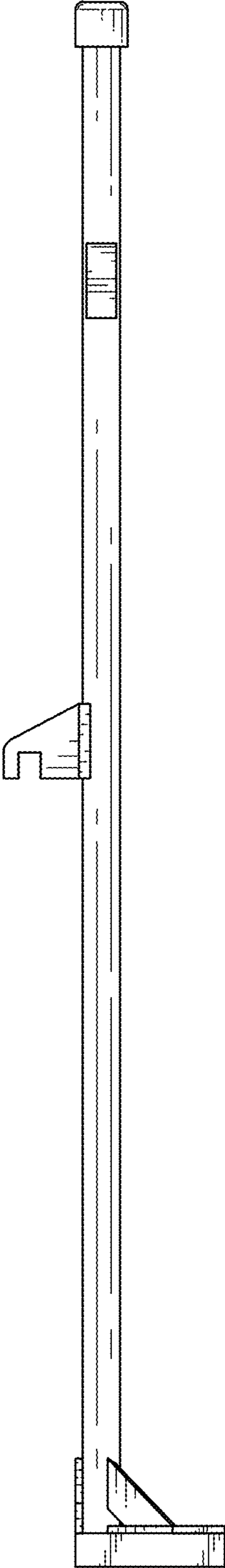


FIG. 2

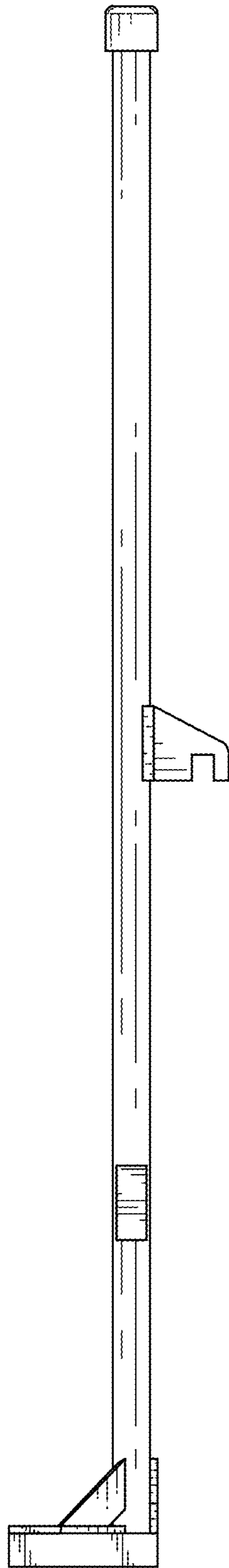


FIG. 3

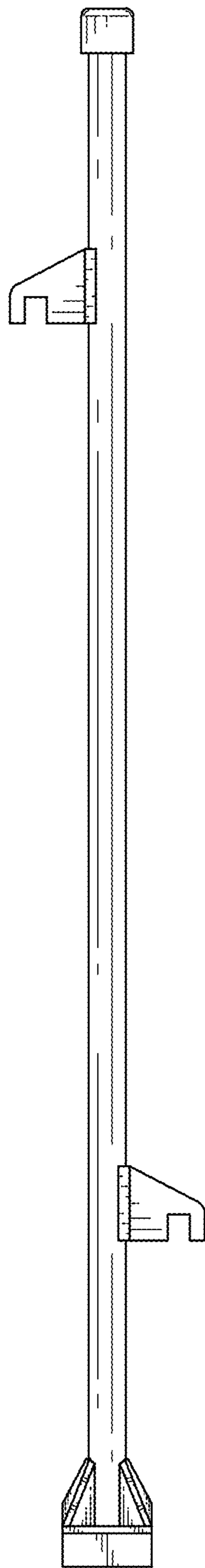


FIG. 4

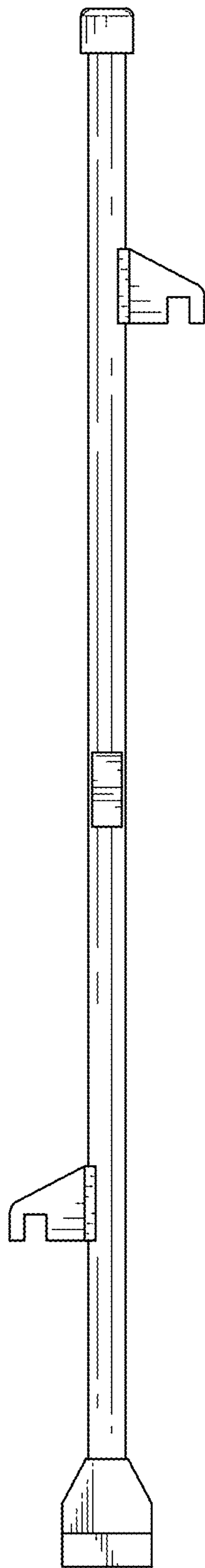


FIG. 5

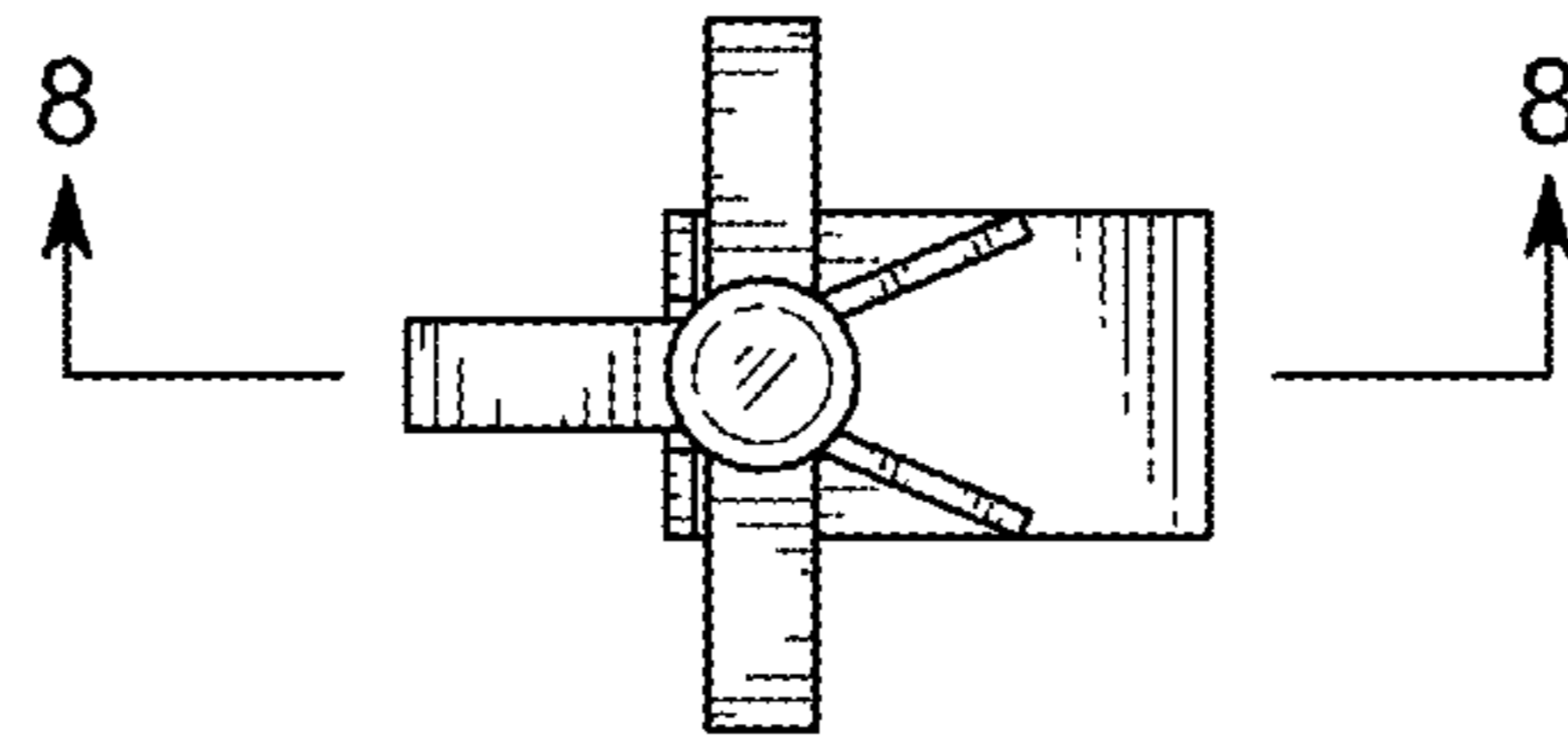


FIG. 6

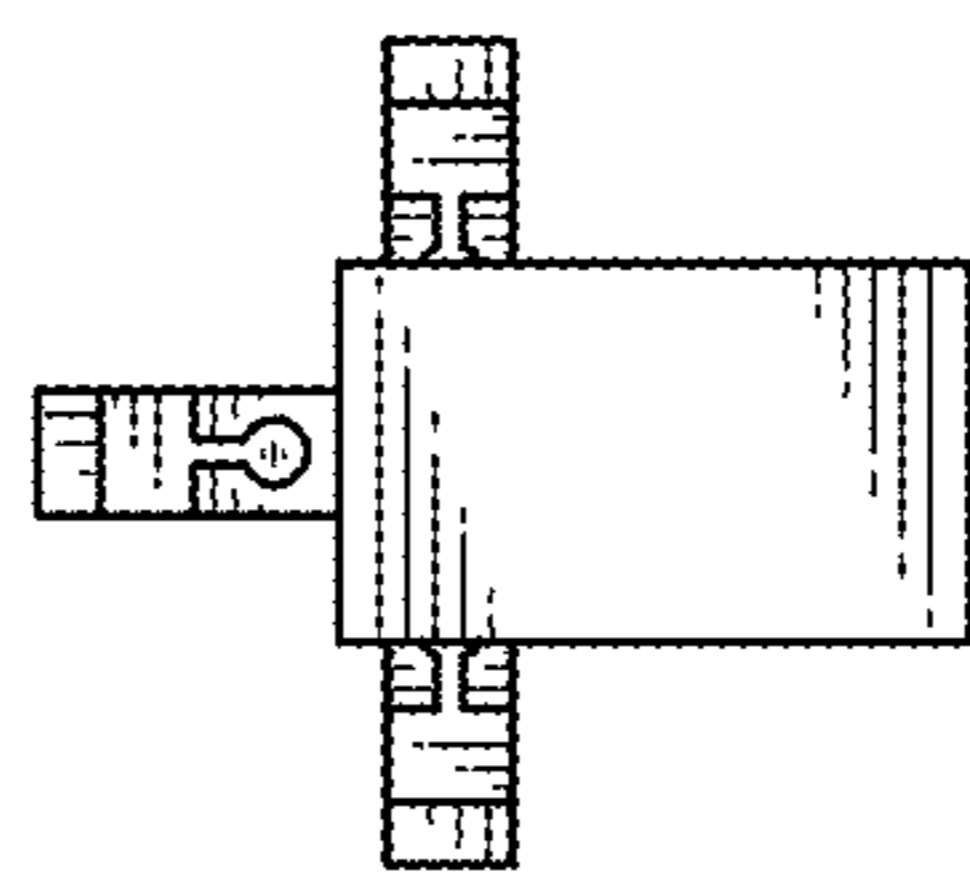


FIG. 7

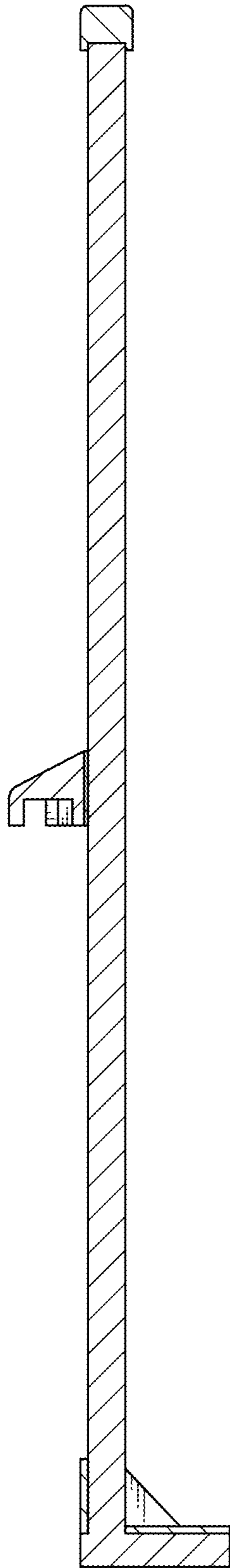


FIG. 8