



US00D986015S

(12) **United States Design Patent** (10) **Patent No.:** **US D986,015 S**
Cheske (45) **Date of Patent:** **** May 16, 2023**

(54) **FUNNEL**
(71) Applicant: **Jeffrey Cheske**, Stuart, FL (US)
(72) Inventor: **Jeffrey Cheske**, Stuart, FL (US)
(**) Term: **15 Years**
(21) Appl. No.: **29/782,259**
(22) Filed: **May 5, 2021**
(51) **LOC (14) Cl.** **07-99**
(52) **U.S. Cl.**
USPC **D7/700**
(58) **Field of Classification Search**
USPC D7/328, 329, 330, 331, 350.2, 354, 359,
D7/361, 362, 372, 373, 376, 378, 381,
D7/382, 383, 384, 385, 386, 387, 388,
D7/390, 391, 400, 402, 403, 407, 409,
D7/410, 411, 412, 413, 414, 415, 665,
D7/666, 669, 672, 673, 674, 675, 676,
D7/677, 678, 679, 680, 682, 683, 684,
D7/685, 686, 687, 693, 694, 695, 696,
D7/698, 700, 532; D11/143, 152;
D24/141, 122; D12/400; D14/208
CPC A21B 5/023; A21B 5/02; A21C 11/006;
A22C 9/008; A22C 9/00; A22C 9/001;
A47J 9/003; A47J 17/00; A47J 17/02;
A47J 17/14; A47J 17/16; A47J 17/18;
A47J 19/02; A47J 19/00; A47J 19/04;
A47J 19/005; A47J 31/06; A47J 31/0663;
A47J 31/08; A47J 31/085; A47J 31/0689;
A47J 47/005; A47J 47/16; A47J 47/20;
A47J 43/04; A47J 43/046; A47J 43/085;
A47J 43/06; A47J 43/07; A47J 43/0705;
A47J 43/0711; A47J 43/0716; A47J
43/0722; A47J 43/0783; A47J 43/20;
A47J 43/25; A47J 43/255; A47J 43/286;
A47J 43/284;

(Continued)

(56) **References Cited**
U.S. PATENT DOCUMENTS
D29,377 S * 9/1898 Brubaker D7/700
D205,678 S * 9/1966 Williams D7/700
(Continued)

FOREIGN PATENT DOCUMENTS
CN 306830036 * 9/2021
CN 307385754 * 6/2022
(Continued)

OTHER PUBLICATIONS
Bon 84-977 Sand Bag Funnel, posted Feb. 9, 2016 [online],
[retrieved Feb. 6, 2023]. Retrieved from internet, <https://www.amazon.com/Bon-84-977-Sand-Bag-Funnel/dp/B01BM7MNJU> (Year: 2016).*

(Continued)

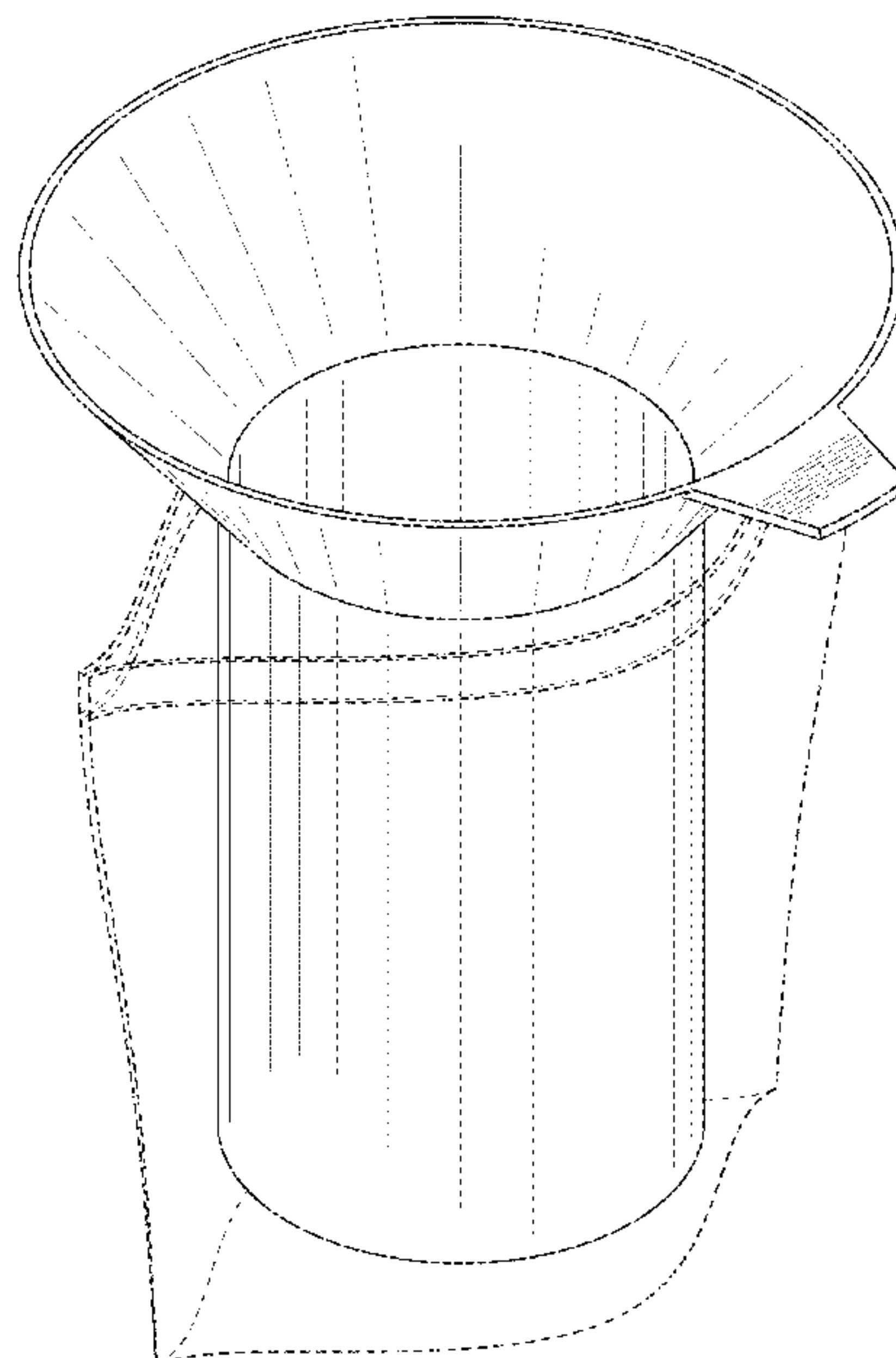
Primary Examiner — Nicole C Shiflet
Assistant Examiner — Yen Le Southwood

(57) **CLAIM**
The ornamental design for a funnel, as shown and described.

DESCRIPTION

FIG. 1 is a front view of a funnel showing my new design;
FIG. 2 is a rear view of the funnel;
FIG. 3 is a right side view of the funnel;
FIG. 4 is a left side view of the funnel;
FIG. 5 is a top view of the funnel;
FIG. 6 is a bottom view of the funnel;
FIG. 7 is a cross-sectional view of the funnel taken along
line 7-7 of FIG. 5; and,
FIG. 8 is a top rear side perspective view of the funnel in use.
The broken lines in FIG. 8 are illustrative of environmental
structure forming no part of the claimed design.

1 Claim, 8 Drawing Sheets



(58) **Field of Classification Search**

CPC A47J 43/28; A47J 43/082; A47J 44/00;
 A47J 2043/04427; A47J 2037/0617; A47J
 37/1295; A47J 37/0611; A47J 37/0857;
 A47J 37/0885; A47J 37/015; A47J 37/06;
 A47J 37/08; B67C 11/00; B67C 11/02;
 B26D 3/26; B26D 3/00; B26D 2210/02;
 B26D 1/143; B26D 1/20; B26D 1/24;
 B26D 1/22; B26D 1/44; B26D 1/157;
 B26B 5/008; B65D 3/06; B65B 39/00;
 B44D 3/128

See application file for complete search history.

6,539,991 B1 * 4/2003 Ackerman B44D 3/128
 141/311 A
 7,736,057 B2 6/2010 VanBost
 8,336,584 B2 12/2012 Belmonte
 D732,906 S * 6/2015 Anderson D7/669
 D772,025 S * 11/2016 Salzl D7/700
 D807,703 S * 1/2018 Rupp D7/532
 D863,194 S * 10/2019 Bidigare D12/400
 D883,045 S * 5/2020 Fudge D7/700
 D969,552 S * 11/2022 McConnell D7/412
 2004/0194647 A1 * 10/2004 Areh A47J 19/02
 100/213
 2014/0150928 A1 6/2014 Jackvony

FOREIGN PATENT DOCUMENTS

EP	1266836	5/2002
GB	6241998	* 11/2022
WO	D044149-007	* 8/1998

OTHER PUBLICATIONS

Vigor White Canning Funnel, posted date unknown [online], [retrieved Feb. 6, 2023]. Retrieved from internet, <https://www.webstaurantstore.com/6-5-8-white-polypropylene-wide-mouth-canning-funnel/247FUNLCAN.html>.*

Plastic Funnel with Handle, posted date unknown [online], [retrieved Feb. 6, 2023]. Retrieved from internet, <https://www.canadiantire.ca/en/pdp/plastic-funnel-with-handle-4-in-0283124p.html>.*

* cited by examiner

(56) **References Cited**

U.S. PATENT DOCUMENTS

3,807,466 A * 4/1974 Minneman B65B 39/00
 86/20.12
 4,248,278 A 2/1981 Blodgett
 4,738,286 A 4/1988 McIntyre
 D359,958 S * 7/1995 Frodelius D14/208
 D391,724 S 3/1998 Blackburn
 5,762,120 A * 6/1998 Smith B67C 11/02
 141/331
 D396,284 S * 7/1998 Schaefer D24/141
 5,918,651 A 7/1999 Gazdy
 6,035,908 A 3/2000 Hoffmann
 D436,166 S * 1/2001 Berkey D24/122
 6,527,444 B1 3/2003 Buchman

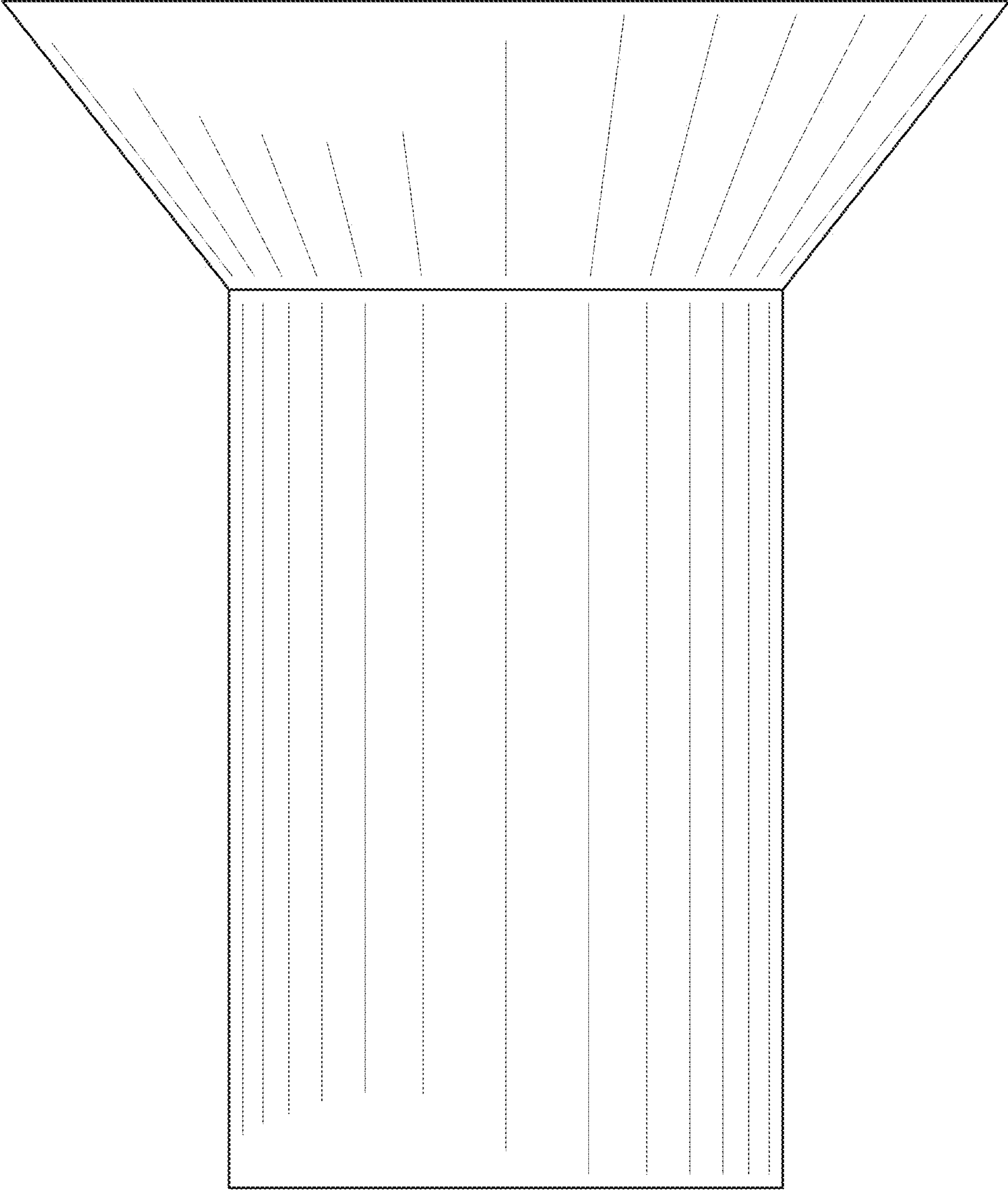


FIG. 1

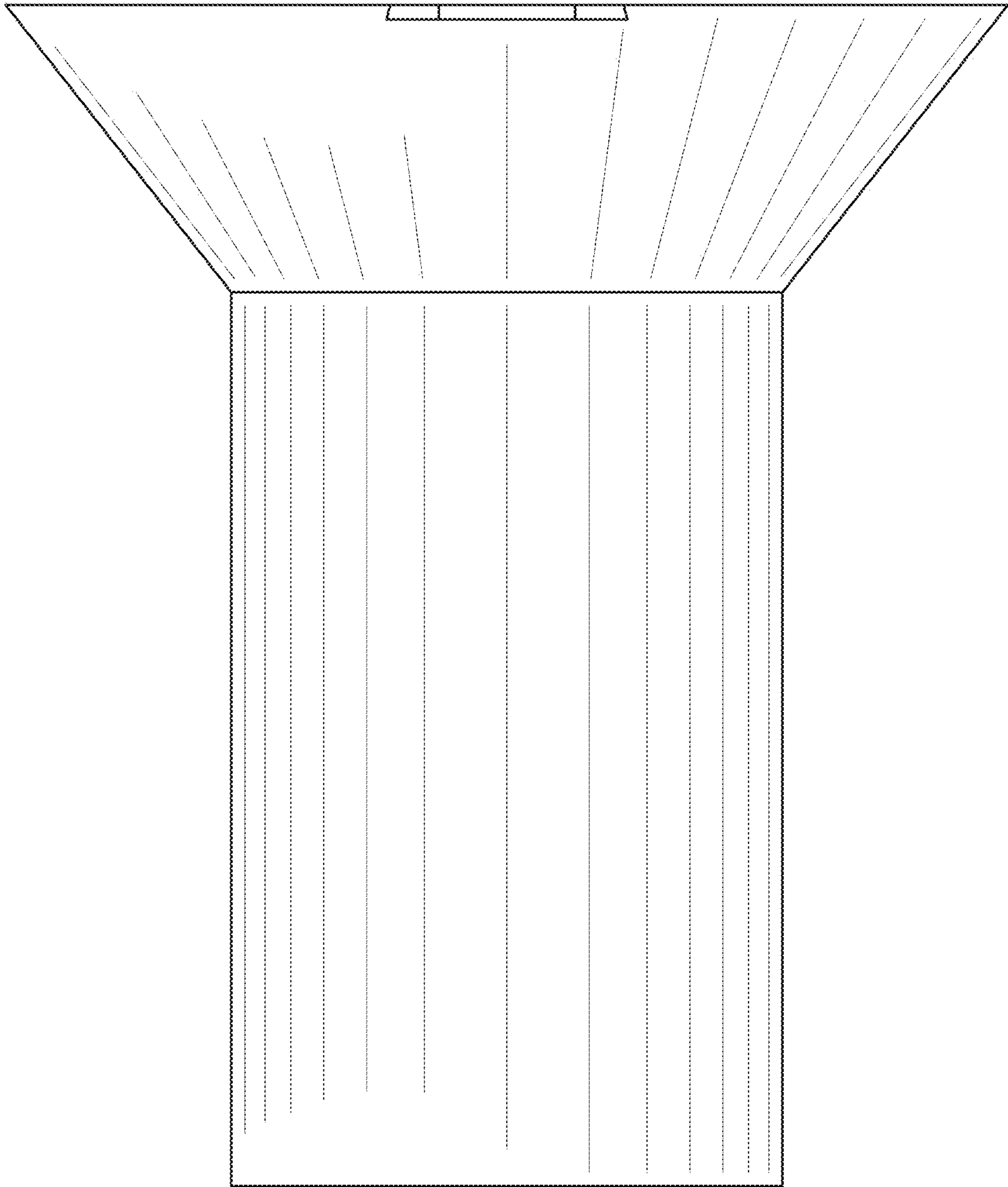


FIG. 2

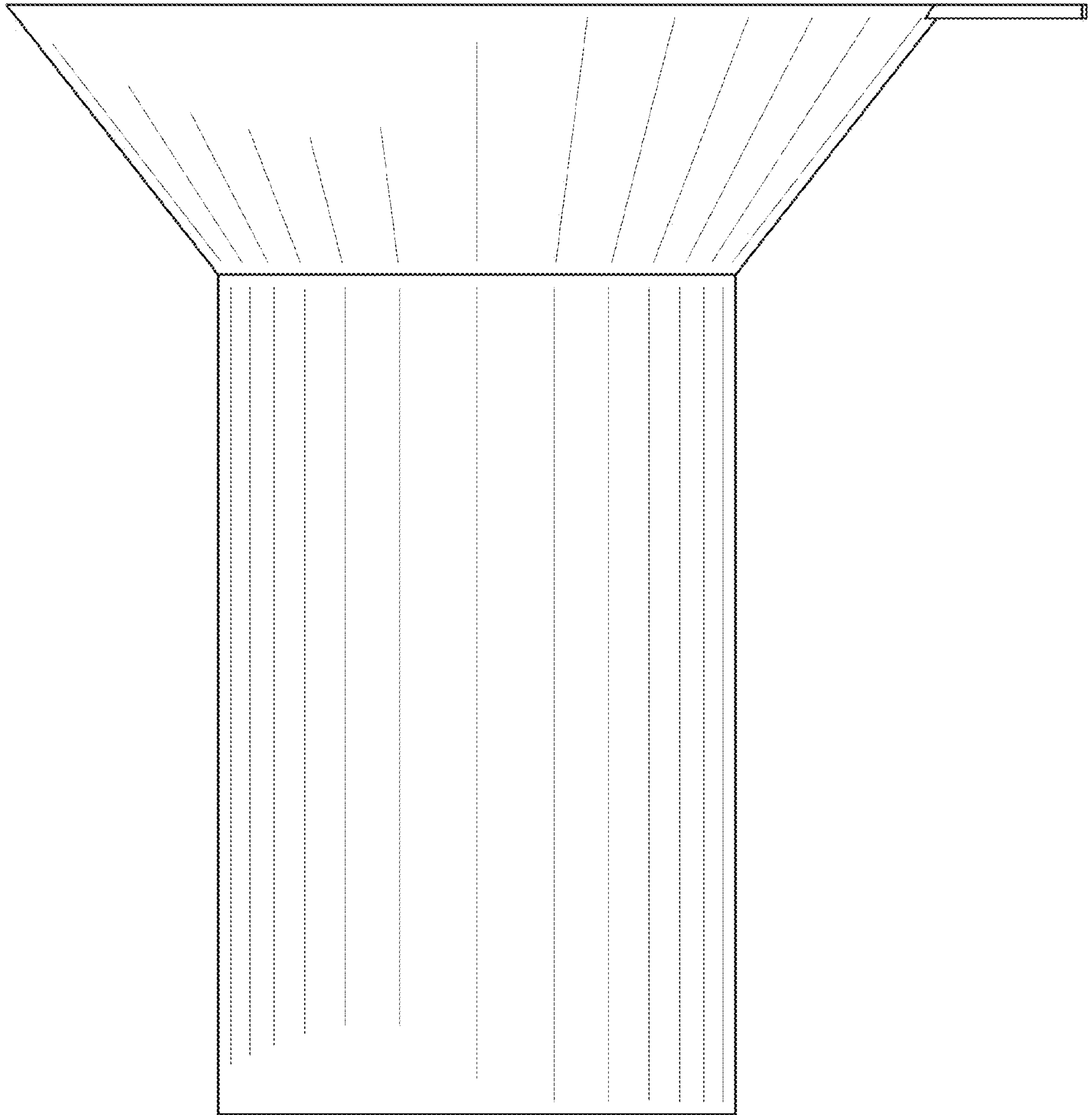


FIG. 3

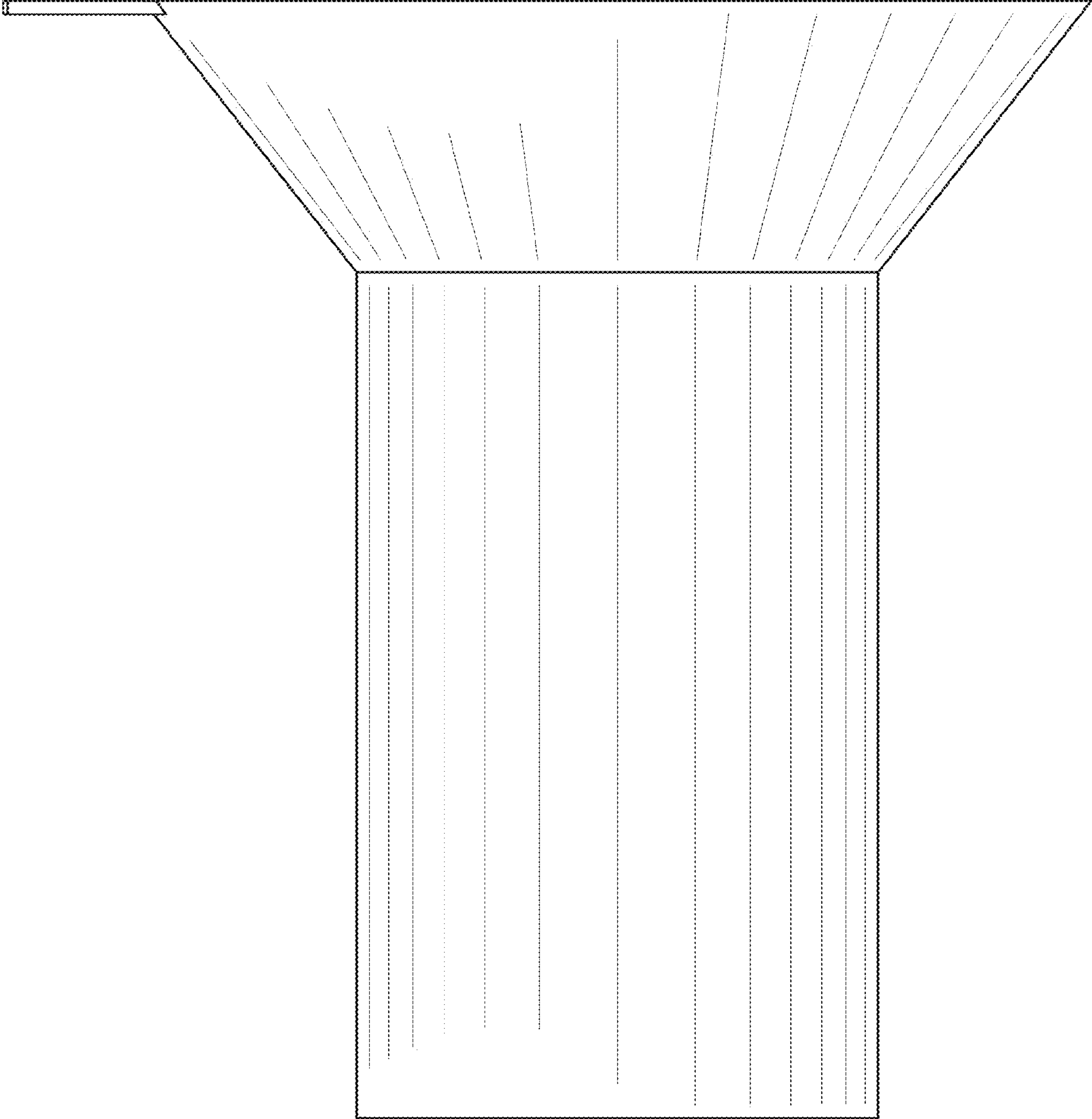


FIG. 4

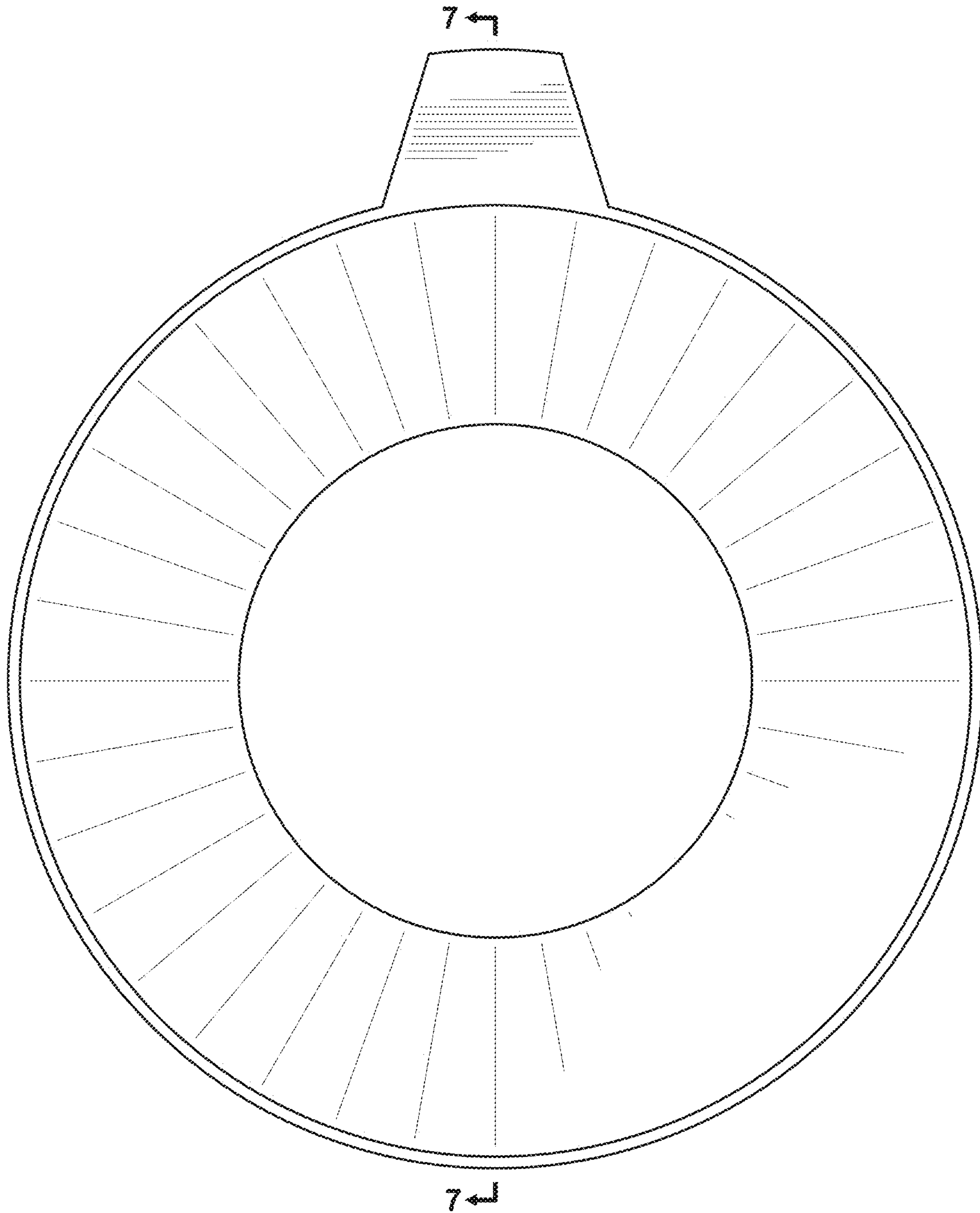


FIG. 5

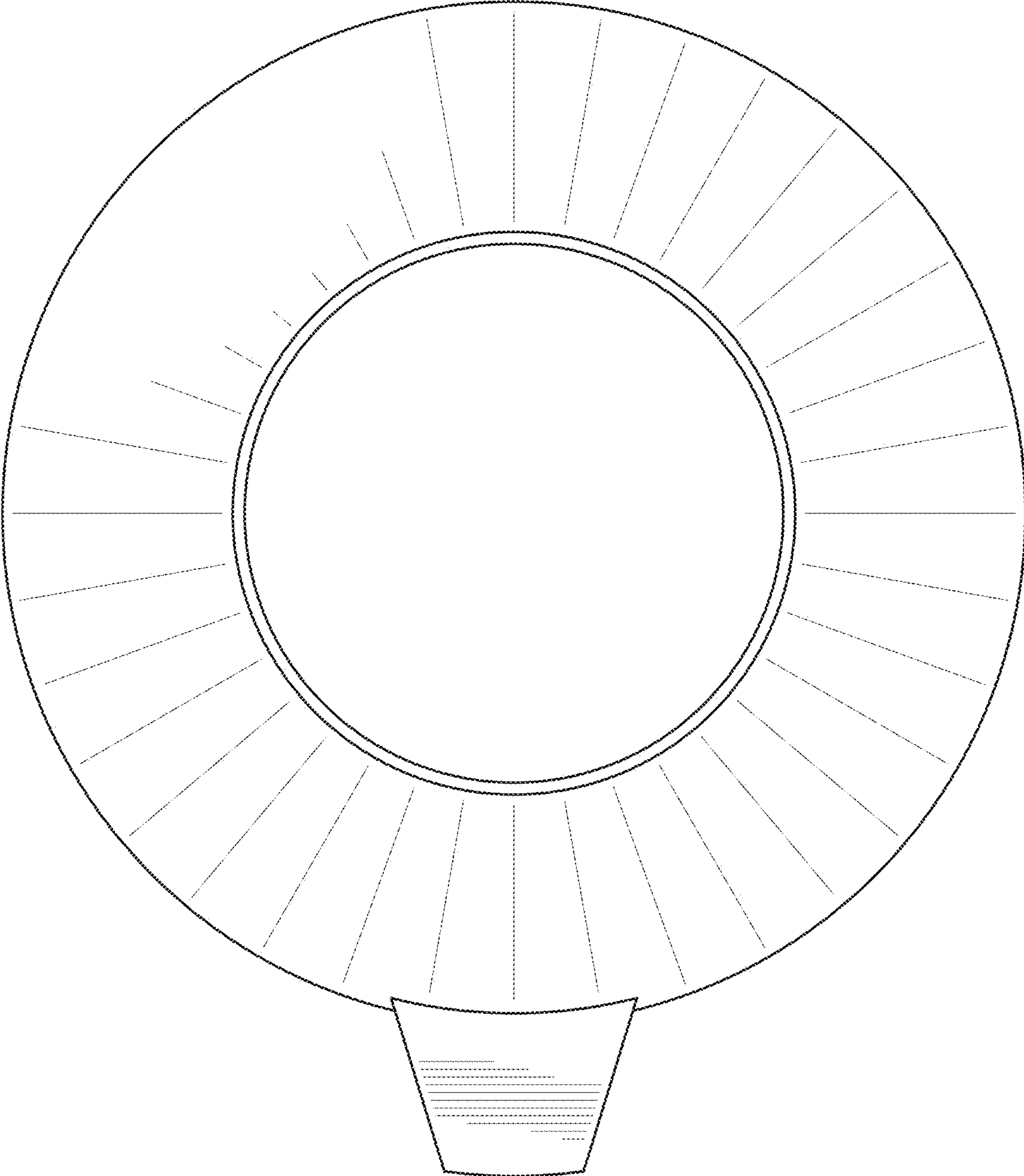


FIG. 6

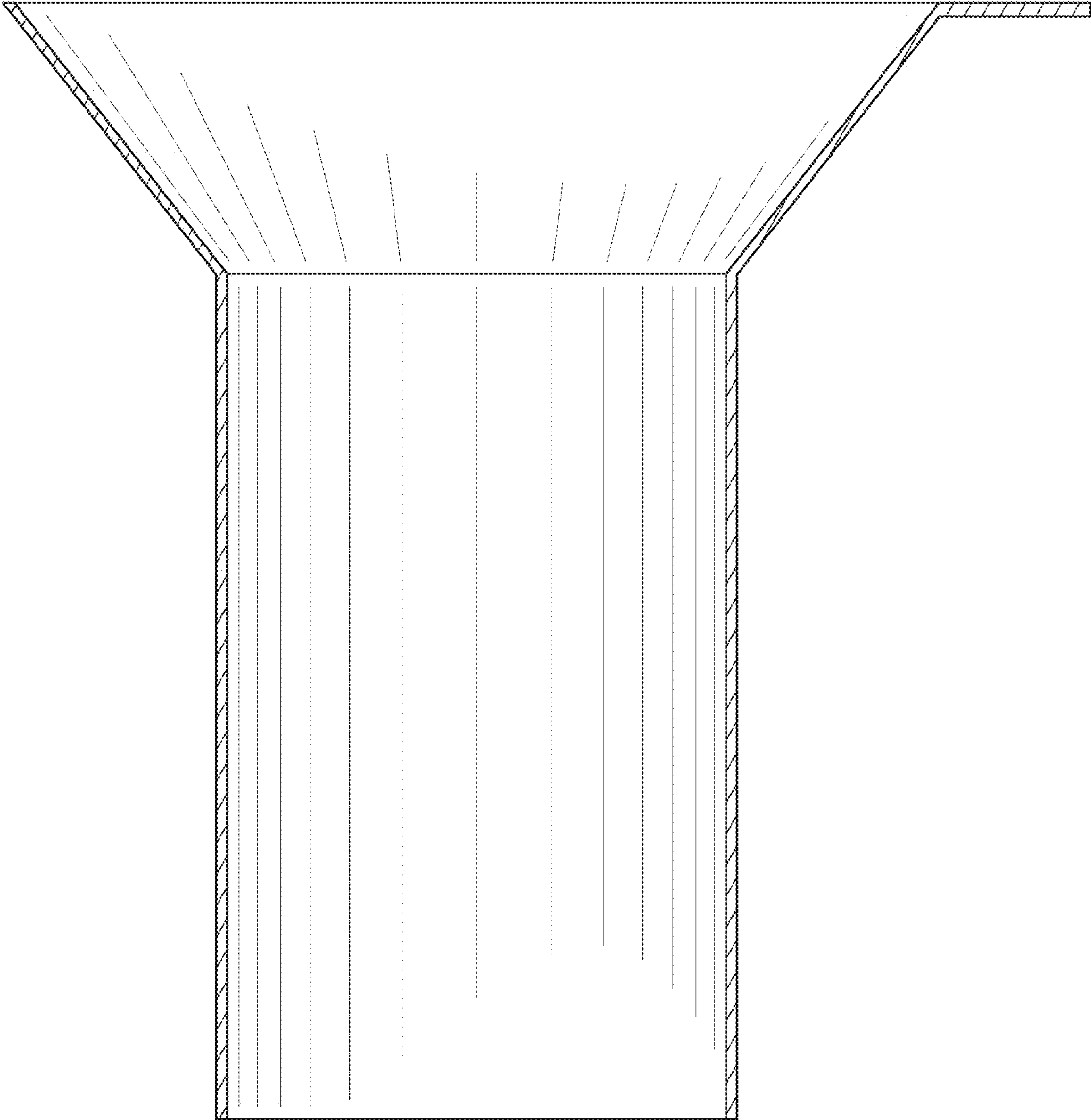


FIG. 7

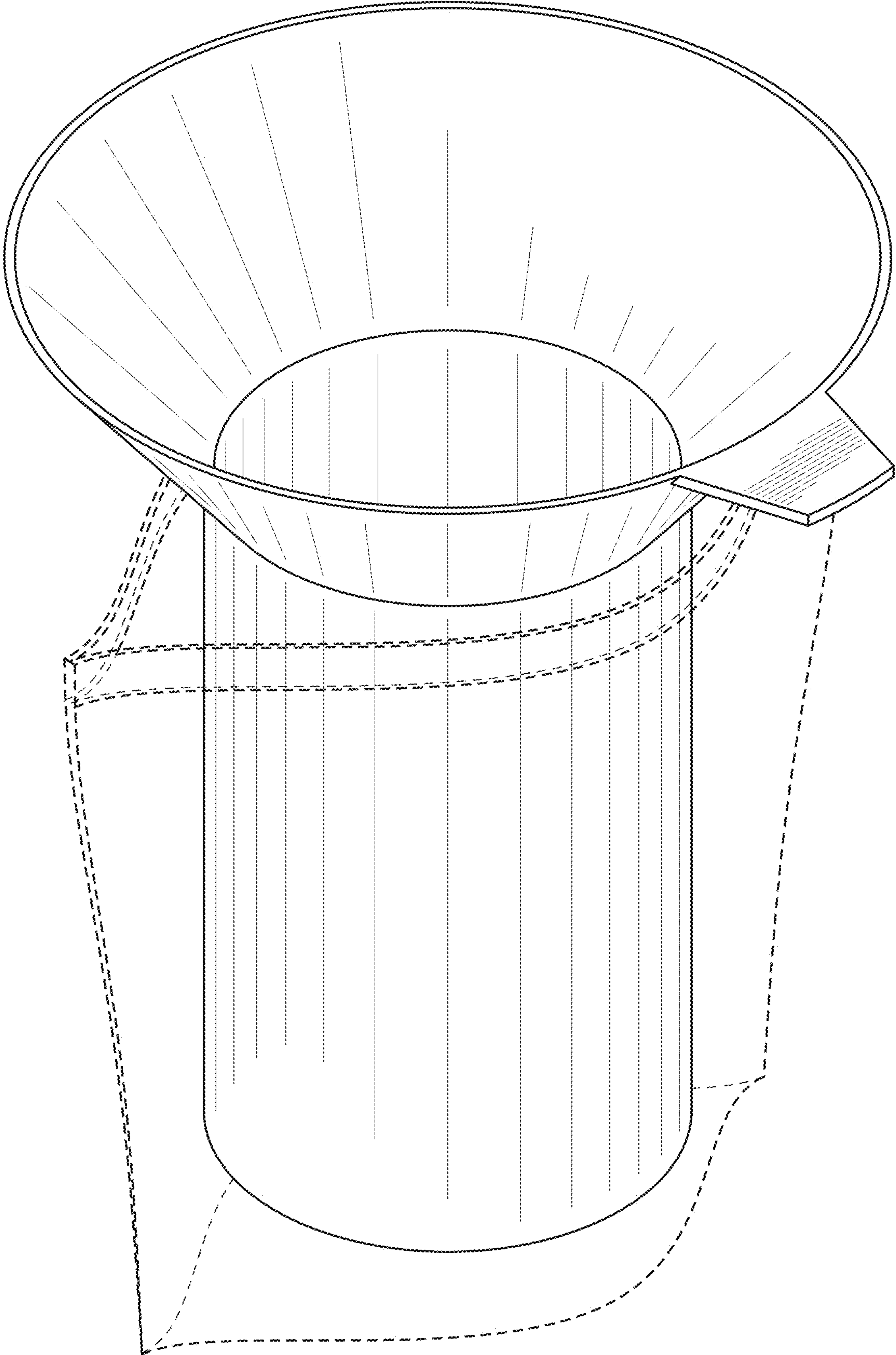


FIG. 8