



US00D986014S

(12) **United States Design Patent**
Ludeman et al.

(10) **Patent No.:** **US D986,014 S**

(45) **Date of Patent:** **** May 16, 2023**

(54) **FOOD CORER**

D717,615 S * 11/2014 Silberberg D7/693
D825,289 S * 8/2018 de Martrin-Donos D7/696

(71) Applicant: **Williams-Sonoma, Inc.**, San Francisco, CA (US)

* cited by examiner

(72) Inventors: **Karl Edward Ludeman**, Oakland, CA (US); **Caleb Ferris**, Oakland, CA (US)

Primary Examiner — Terry A Wallace

(74) *Attorney, Agent, or Firm* — Cook Alex Ltd.

(73) Assignee: **Williams-Sonoma, Inc.**, San Francisco, CA (US)

(57) **CLAIM**

(**) Term: **15 Years**

The ornamental design for a food corer, as shown and described.

(21) Appl. No.: **29/801,265**

(22) Filed: **Jul. 28, 2021**

DESCRIPTION

(51) **LOC (14) Cl.** **07-04**

(52) **U.S. Cl.**

USPC **D7/693**

(58) **Field of Classification Search**

USPC D7/680–696, 393, 395, 368, 669

CPC .. A47J 17/02; A47J 17/04; A47J 17/00; A47J

17/06; A47J 17/08; A47J 25/00; A47J

43/28; A47J 43/00; B26D 3/00; B26D

3/24

See application file for complete search history.

FIG. 1 is a perspective view of the food corer with a cap fastened thereon;

FIG. 2 is a left side elevational view thereof;

FIG. 3 is a right side elevational view thereof;

FIG. 4 is a rear elevational view thereof;

FIG. 5 is a front elevational view thereof;

FIG. 6 is a top plan view thereof;

FIG. 7 is a bottom plan view thereof;

FIG. 8 is a perspective view of the food corer with the cap removed;

FIG. 9 is a left side elevational view thereof;

FIG. 10 is a right side elevational view thereof;

FIG. 11 is a rear elevational view thereof;

FIG. 12 is a front elevational view thereof;

FIG. 13 is a top plan view thereof; and,

FIG. 14 is a bottom plan view thereof.

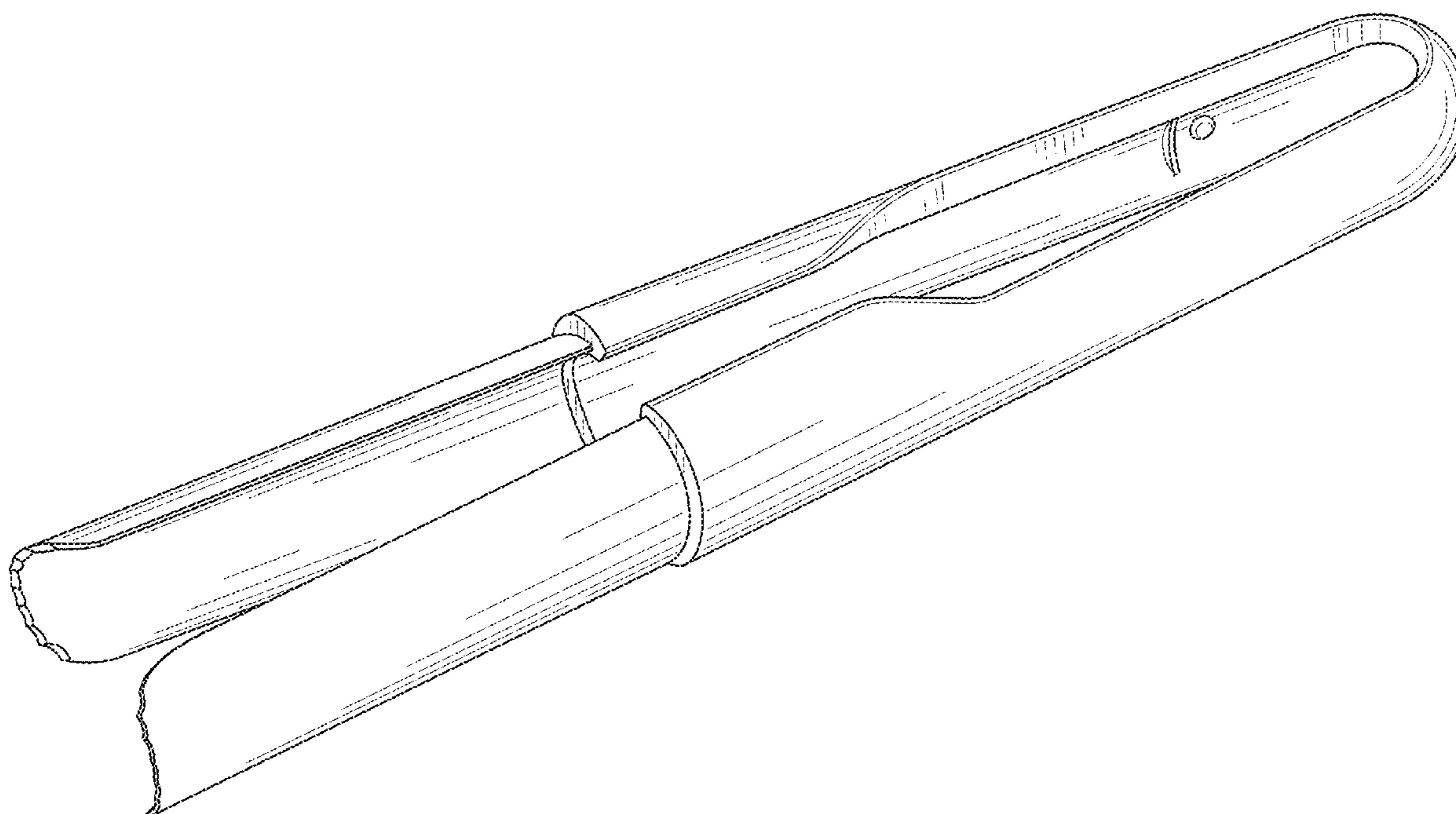
(56) **References Cited**

U.S. PATENT DOCUMENTS

1,293,351 A * 2/1919 Creasey A47J 25/00
30/294

2,990,615 A * 7/1961 Ohler A47J 25/00
30/316

1 Claim, 8 Drawing Sheets



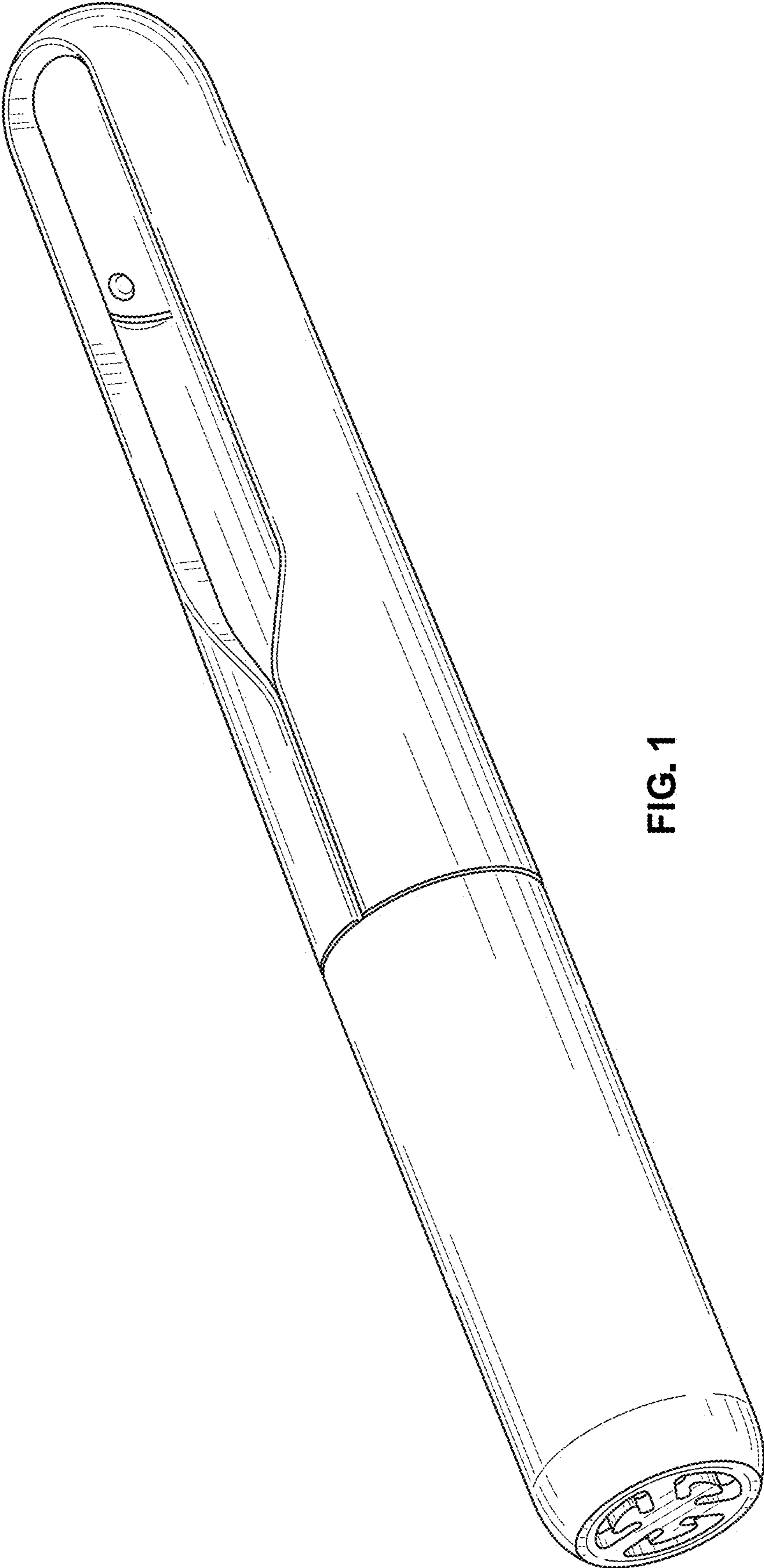


FIG. 1

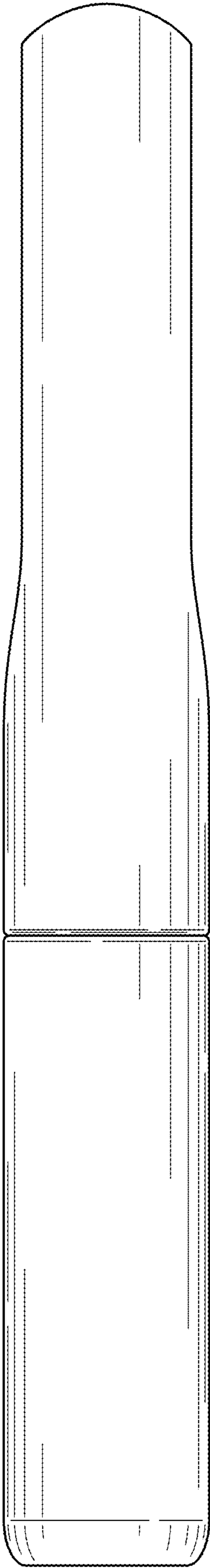


FIG. 2

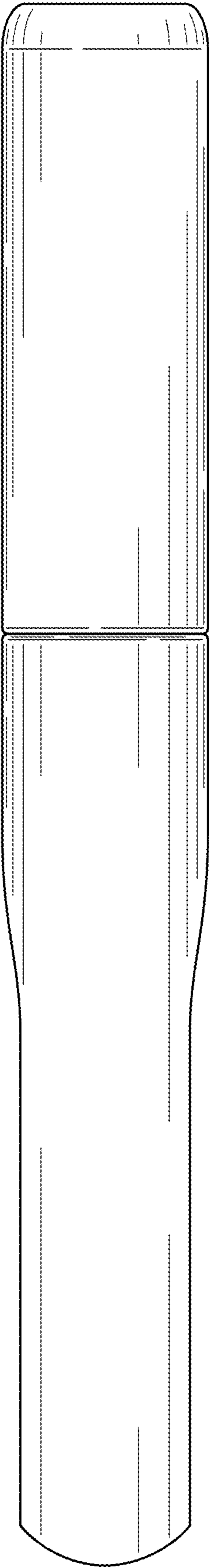


FIG. 3



FIG. 5

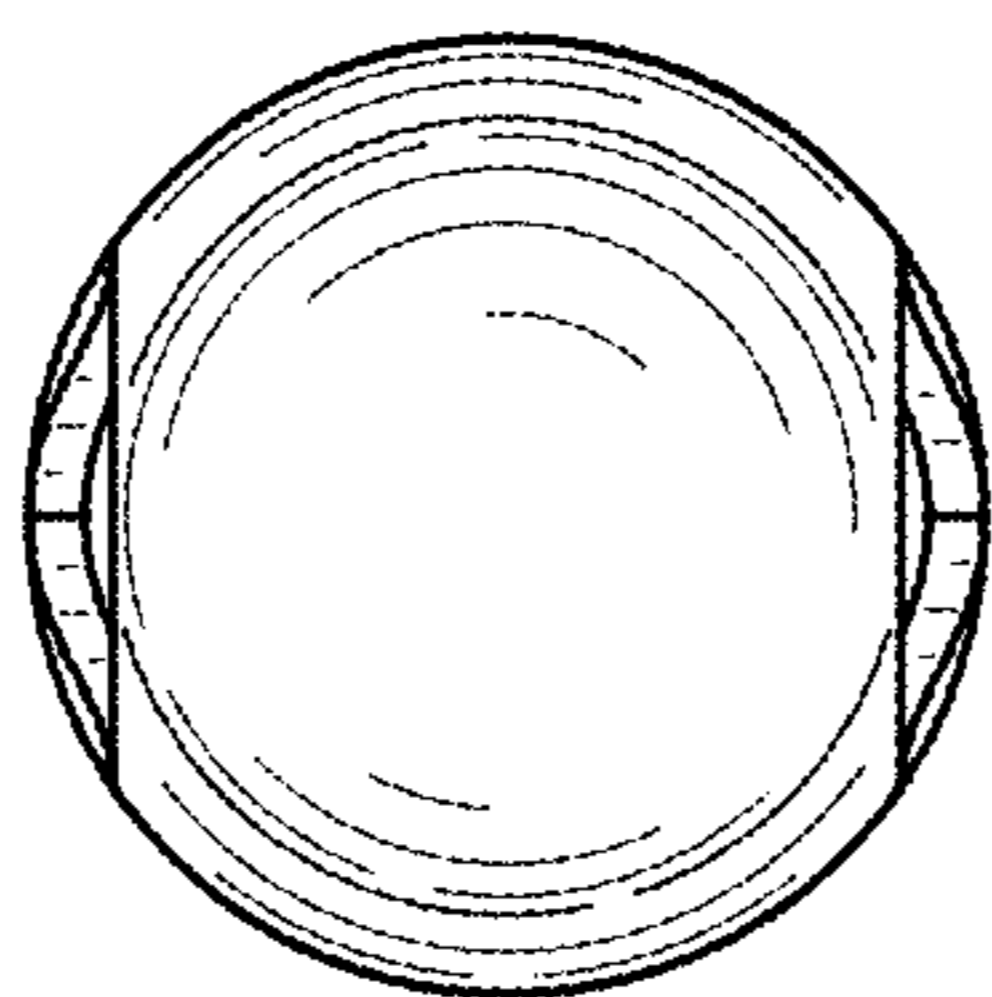


FIG. 4

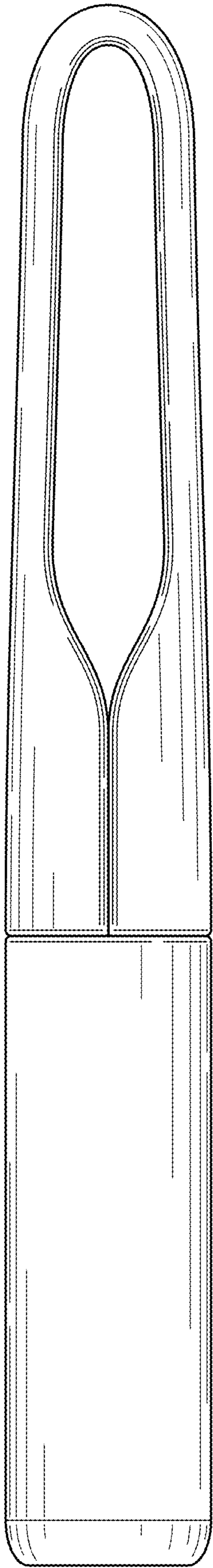


FIG. 6

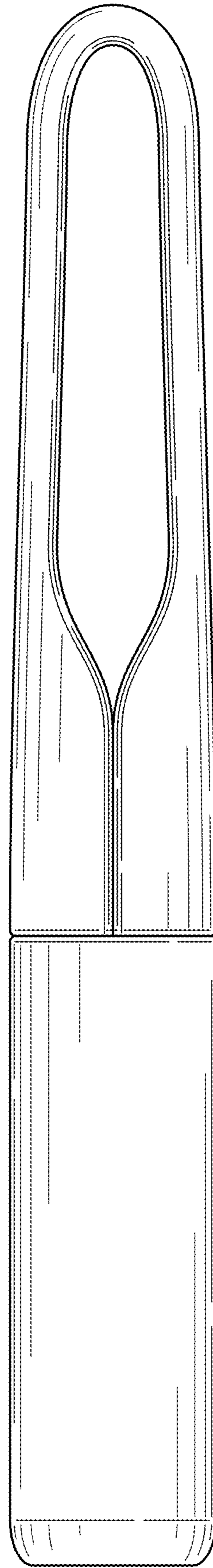


FIG. 7

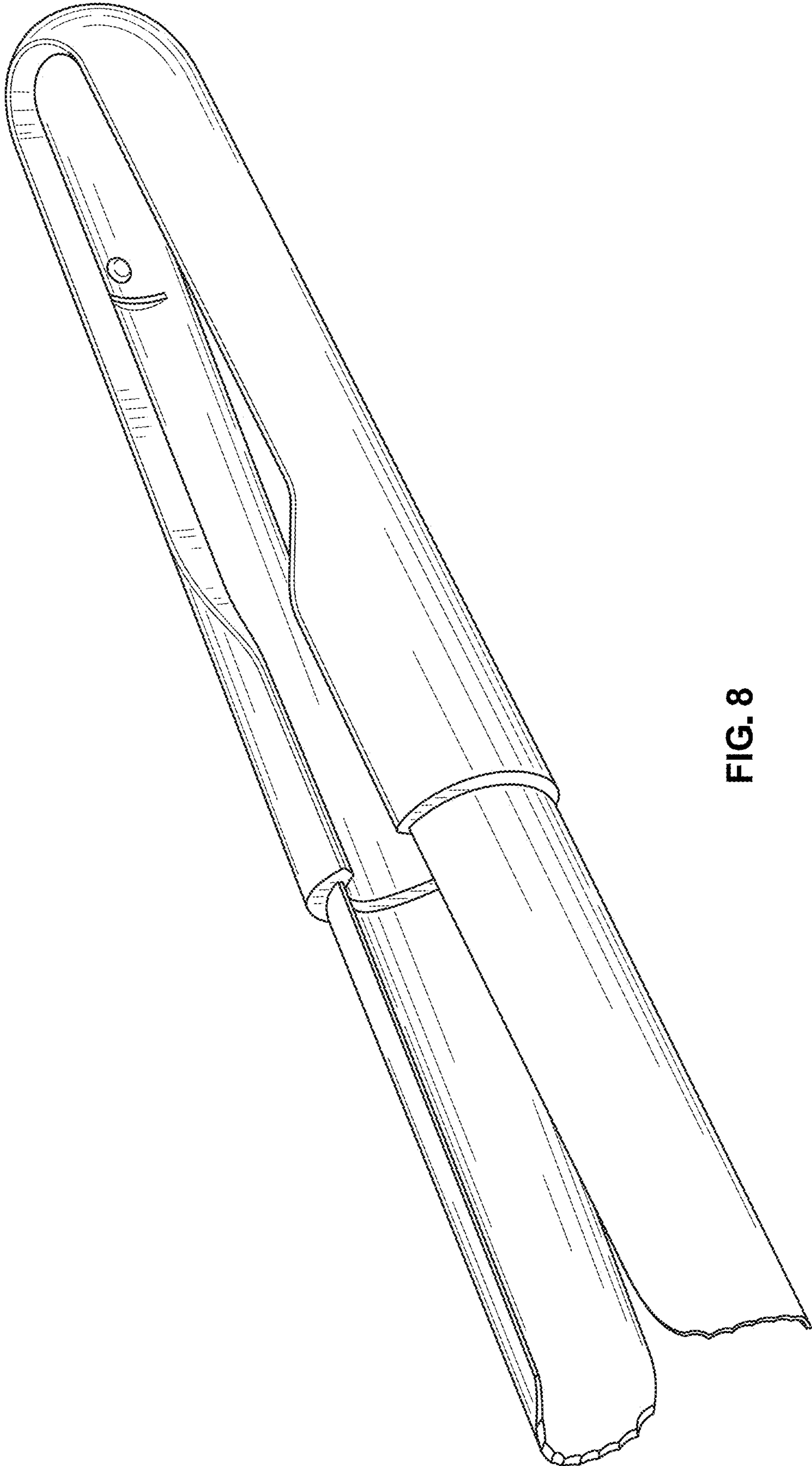


FIG. 8

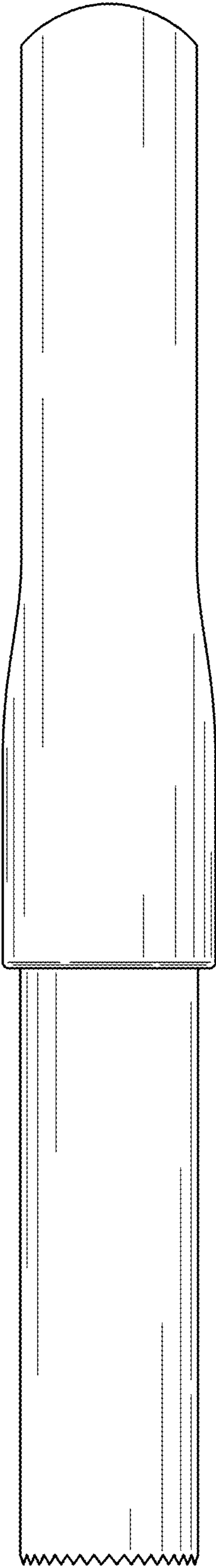


FIG. 9

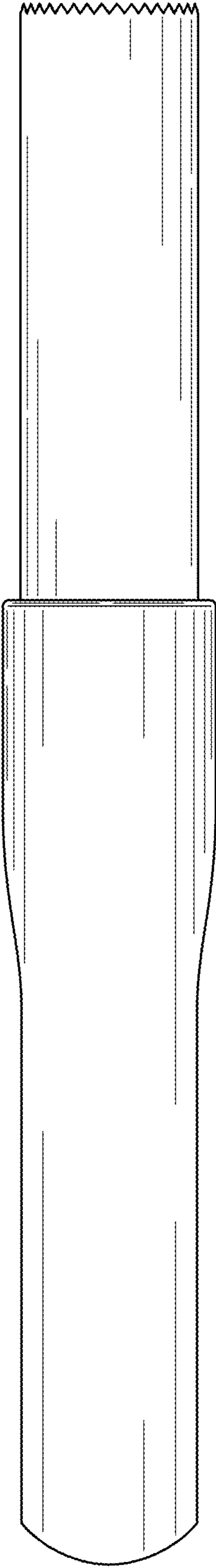


FIG. 10

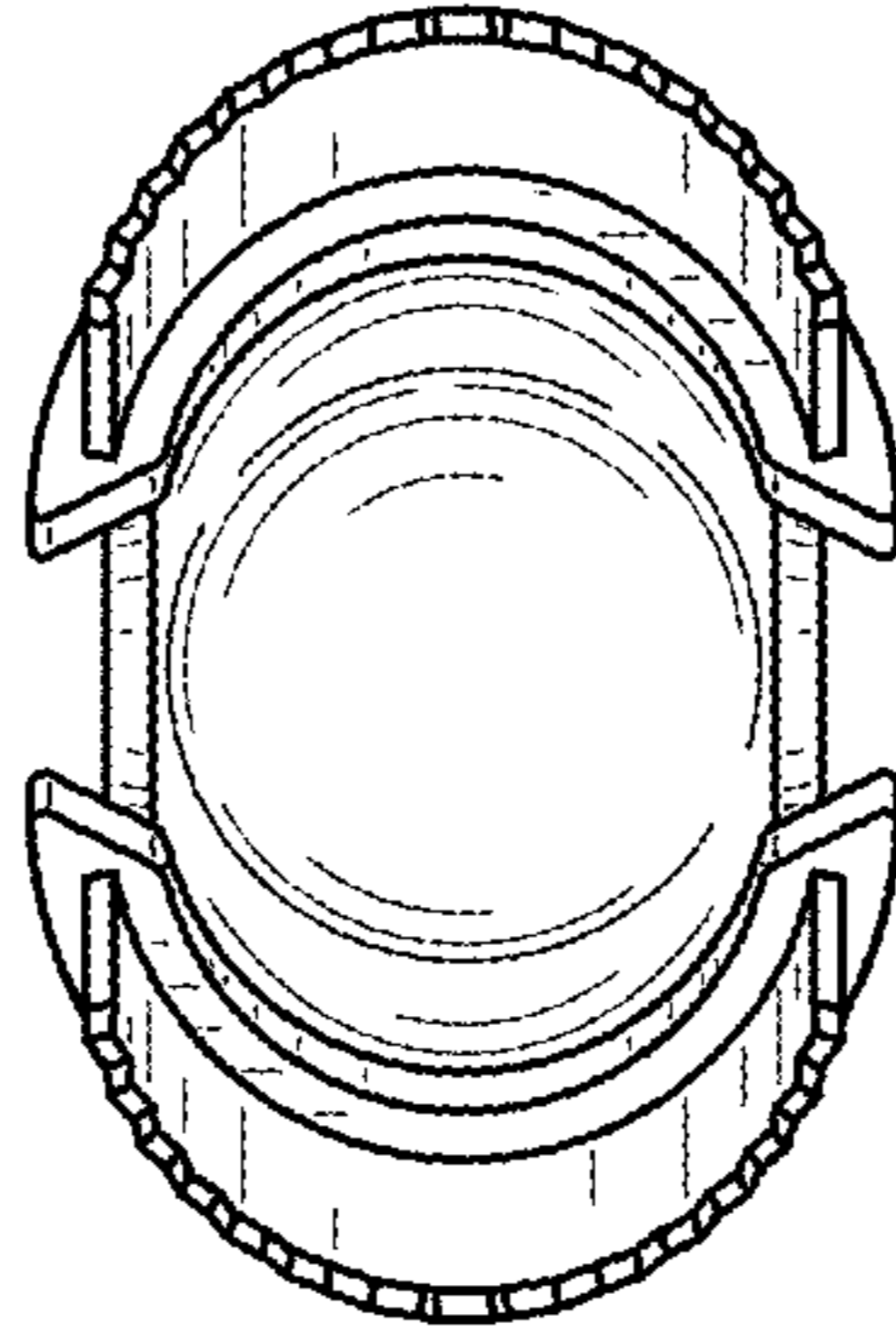


FIG. 12

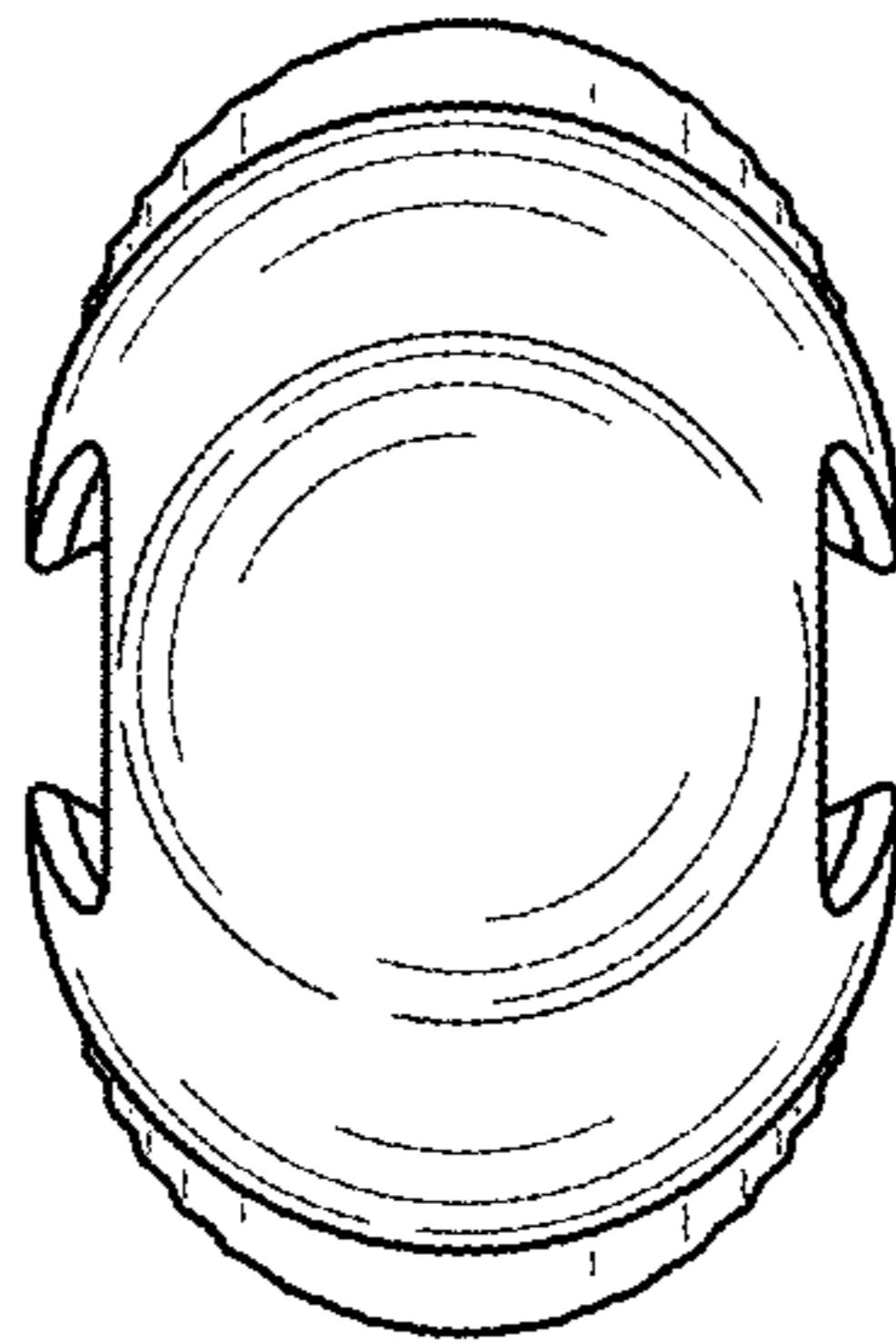


FIG. 11

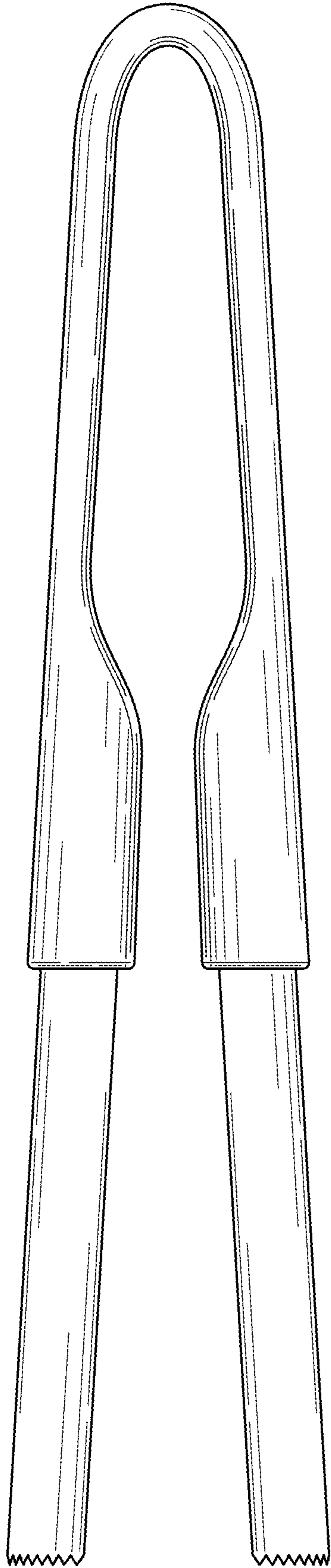


FIG. 13

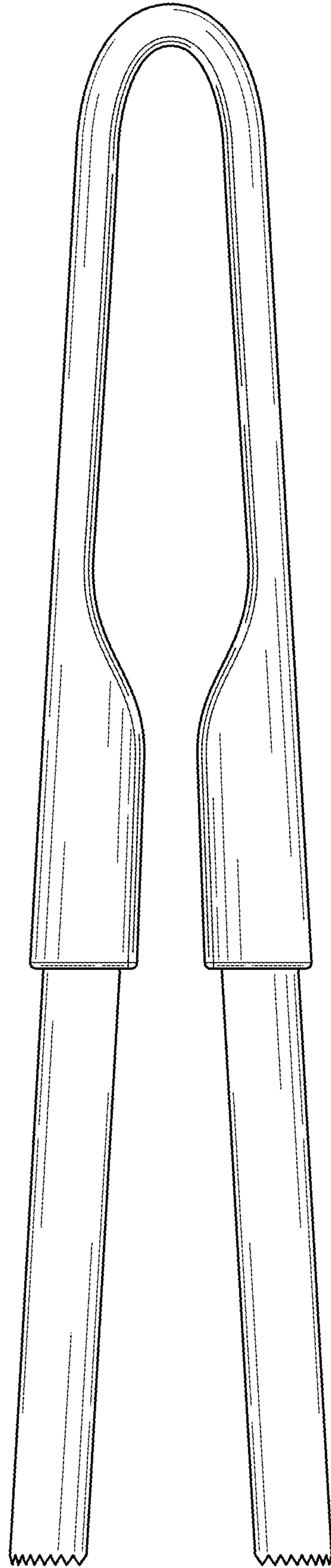


FIG. 14