



US00D986013S

(12) **United States Design Patent** (10) **Patent No.:** **US D986,013 S**
Ludeman (45) **Date of Patent:** **** May 16, 2023**

(54) **GARLIC PRESS**
(71) Applicant: **Williams-Sonoma, Inc.**, San Francisco, CA (US)
(72) Inventor: **Karl Edward Ludeman**, Oakland, CA (US)
(73) Assignee: **Williams-Sonoma, Inc.**, San Francisco, CA (US)
(**) Term: **15 Years**
(21) Appl. No.: **29/797,608**
(22) Filed: **Jul. 1, 2021**
(51) **LOC (14) Cl.** **07-04**
(52) **U.S. Cl.**
USPC **D7/666; D7/665**
(58) **Field of Classification Search**
USPC D7/368, 381, 387, 393, 412, 414, 665, D7/666, 669, 672-674, 679, 686, D7/693-696; D8/98, 99
CPC A47J 19/06; A47J 19/005; A47J 19/022; A47J 43/286; A22C 9/008; B26B 13/06; B26B 5/008; B30B 9/04
See application file for complete search history.

D530,162 S * 10/2006 Hussey D7/666
D664,813 S * 8/2012 Cotter D7/666
D667,704 S * 9/2012 Drinkwater D7/666
D670,544 S * 11/2012 Junker D7/666
D675,887 S * 2/2013 Chan D7/666
D828,119 S * 9/2018 Popov D7/666
D834,898 S * 12/2018 Audet D7/679
D844,391 S * 4/2019 Cabrita D7/666

(Continued)

FOREIGN PATENT DOCUMENTS

CN 305917998 * 7/2020
CN 305962320 * 8/2020

(Continued)

OTHER PUBLICATIONS

Kuhn Rikon Garlic Press, May 5, 2003, <https://www.amazon.com/Kuhn-Rikon-2315-Epicurean-Garlic/dp/B0000CD0HX> (Year: 2003).*

(Continued)

Primary Examiner — Brett Miller
Assistant Examiner — Nader Abadir
(74) *Attorney, Agent, or Firm* — Cook Alex Ltd.

(57) **CLAIM**

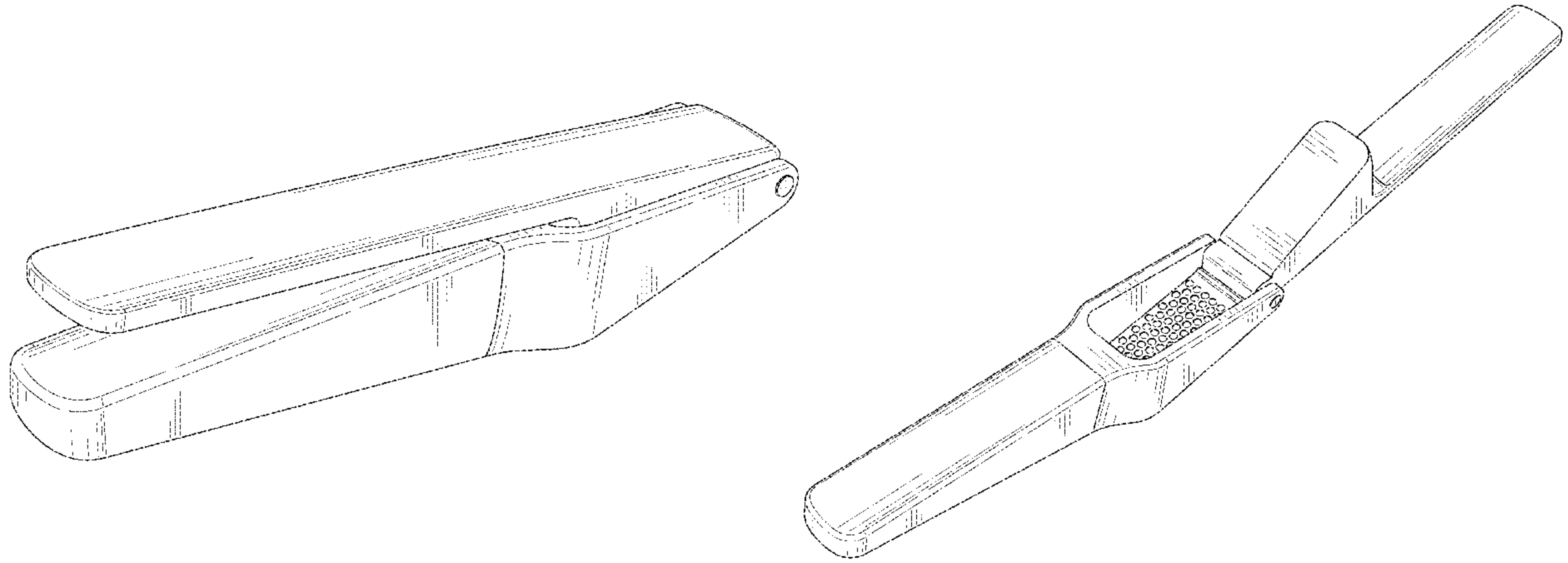
The ornamental design for a garlic press, as shown and described.

DESCRIPTION

FIG. 1 is a perspective view of the garlic press;
FIG. 2 is a front elevational view thereof;
FIG. 3 is a rear elevational view thereof;
FIG. 4 is a left side elevational view thereof;
FIG. 5 is a right side elevational view thereof;
FIG. 6 is a top plan view thereof;
FIG. 7 is a bottom plan view thereof; and,
FIG. 8 is a perspective view of the garlic press in an open state.

1 Claim, 6 Drawing Sheets

(56) **References Cited**
U.S. PATENT DOCUMENTS
2,776,616 A * 1/1957 Sarossy A47J 19/06
100/234
D350,261 S * 9/1994 Ahner D7/666
5,370,044 A * 12/1994 Lackie A47J 19/06
100/234
5,513,562 A * 5/1996 Moor A47J 19/06
15/236.08
5,791,237 A * 8/1998 Gibson A47J 19/06
100/234
D436,807 S * 1/2001 Chiu D7/666
D512,883 S * 12/2005 Lee D7/666



(56)

References Cited

U.S. PATENT DOCUMENTS

D915,838 S * 4/2021 Wu D7/666
2010/0236429 A1 * 9/2010 Ericsson A47J 19/06
100/234
2016/0220056 A1 * 8/2016 Wong A47J 19/06
2018/0220848 A1 * 8/2018 Ebrahim A47J 19/06

FOREIGN PATENT DOCUMENTS

CN 306057418 * 9/2020
CN 306125047 * 10/2020
CN 306644008 * 6/2021
GB 6115100 * 1/2021

OTHER PUBLICATIONS

Anerong Garlic Press, Jan. 5, 2019, <https://www.amazon.com/Garlic-Cleaner-Silicone-Squeeze-Dishwasher/dp/B07M74PH8P> (Year: 2019).
KT Garlic Press, Sep. 18, 2019, <https://www.amazon.com/Garlic-Crusher-Squeezer-Presser-Chopper/dp/B07Y2BCFTF> (Year: 2019).
Zyliss Garlic Press, Feb. 24, 2012, <https://www.amazon.com/Zyliss-Peel-Built-Cleaner-Crusher-Aluminum-Aluminium/dp/B007D3V00Q> (Year: 2012).
Vovoly Garlic Press, Nov. 13, 2020, <https://www.amazon.com/Premium-Stainless-Professional-Lever-Assisted-Capacity/dp/B08NCW7GC6> (Year: 2020).

* cited by examiner

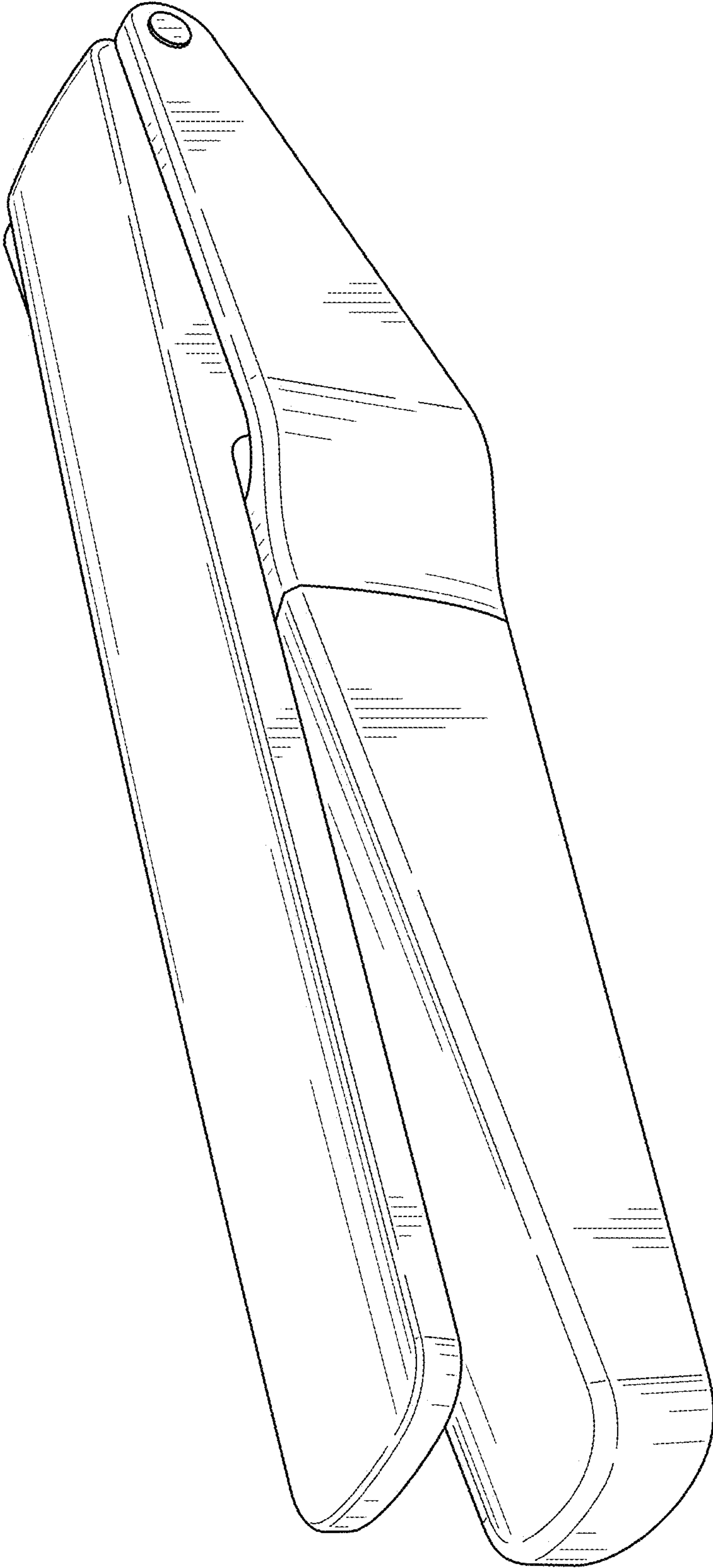


FIG. 1

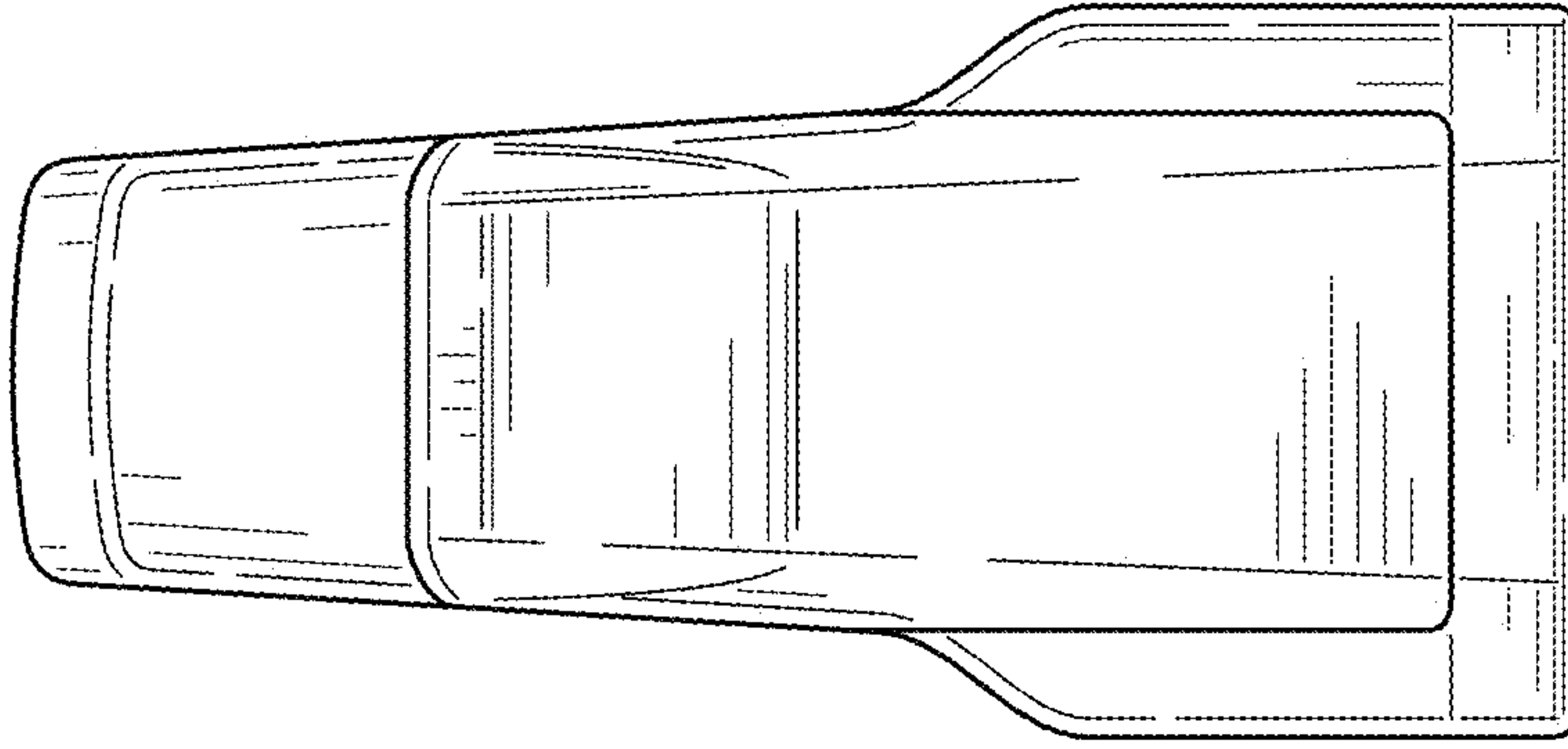


FIG. 3

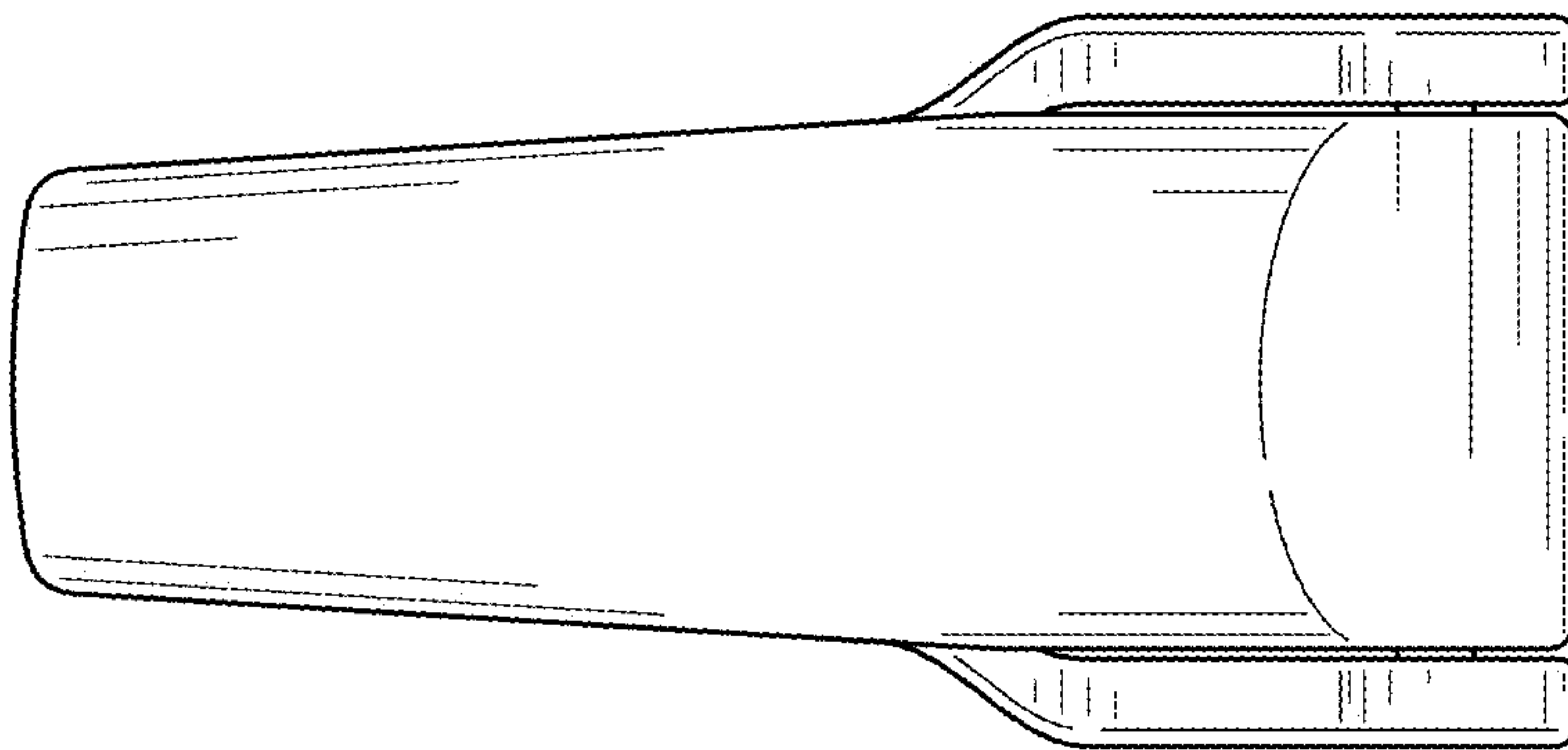


FIG. 2

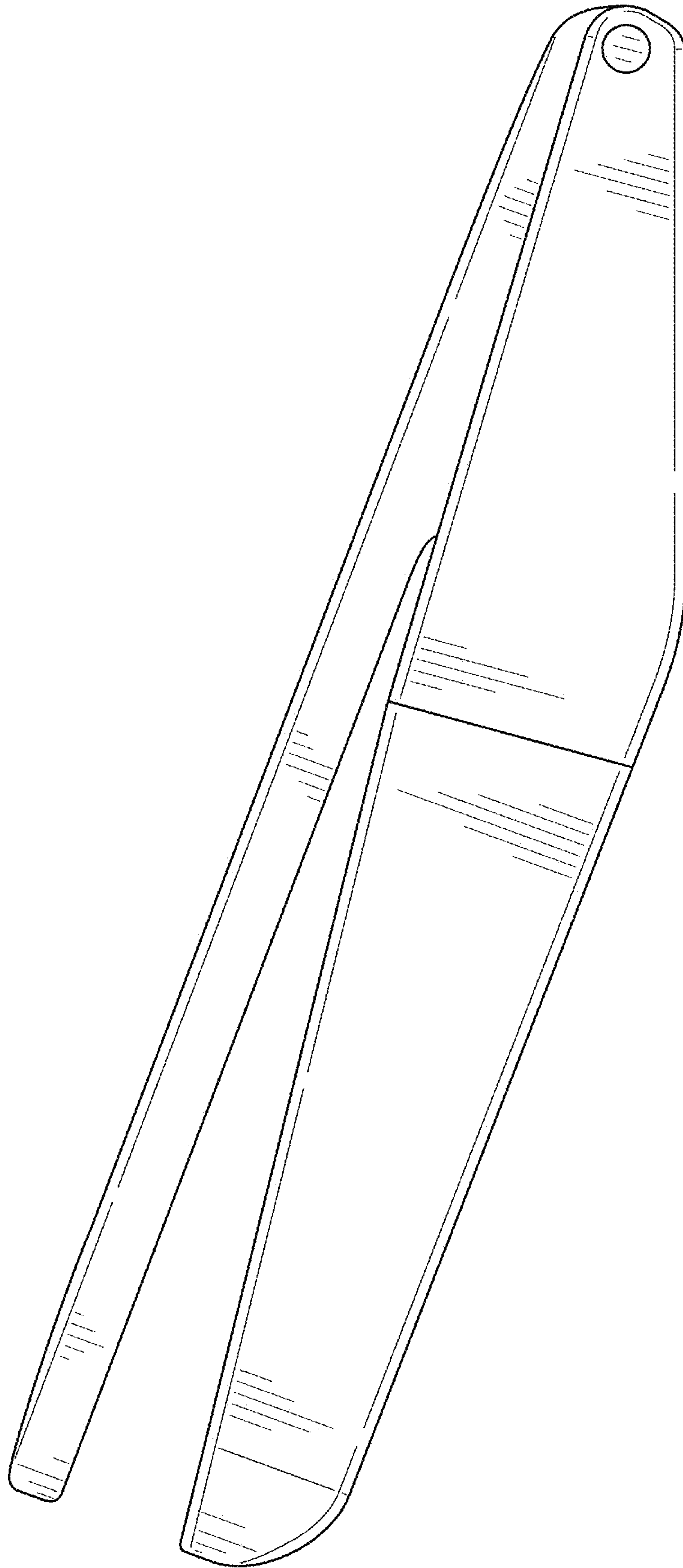


FIG. 4

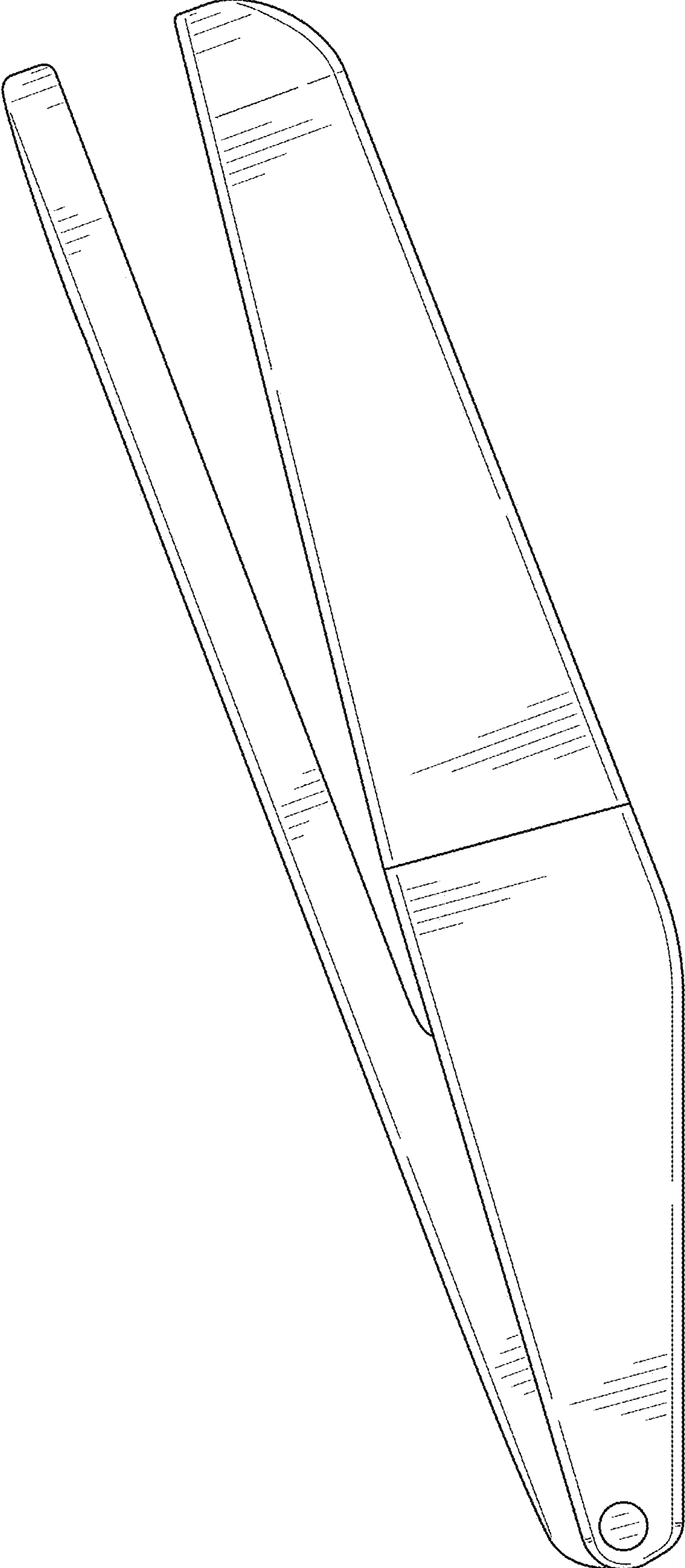


FIG. 5

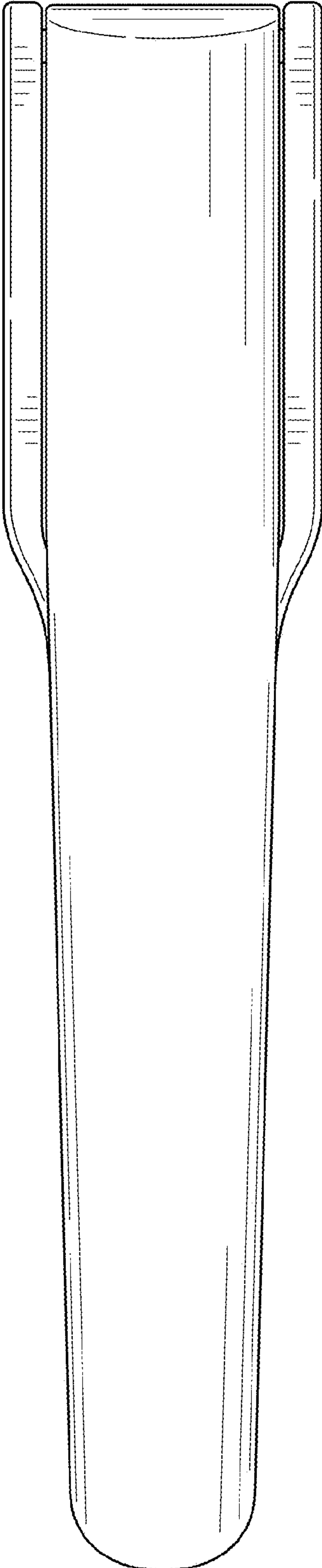


FIG. 6

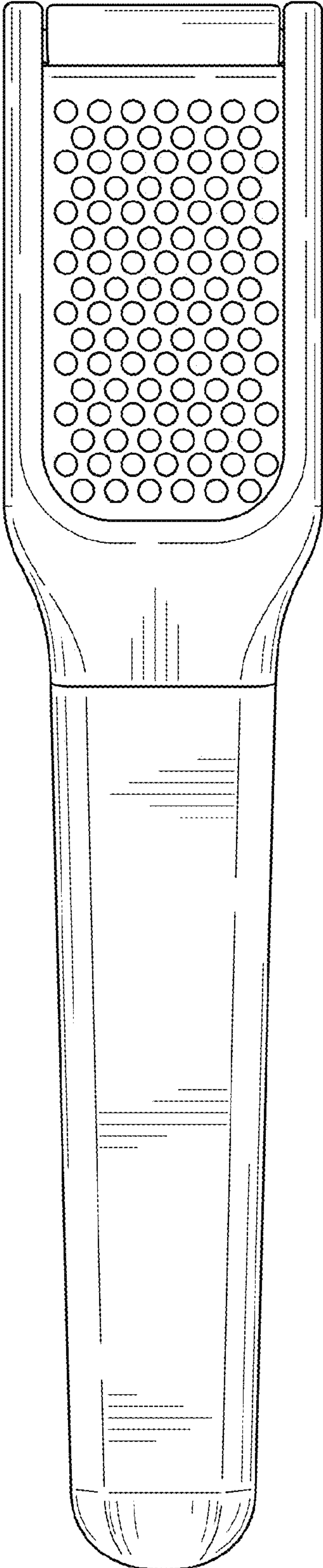


FIG. 7

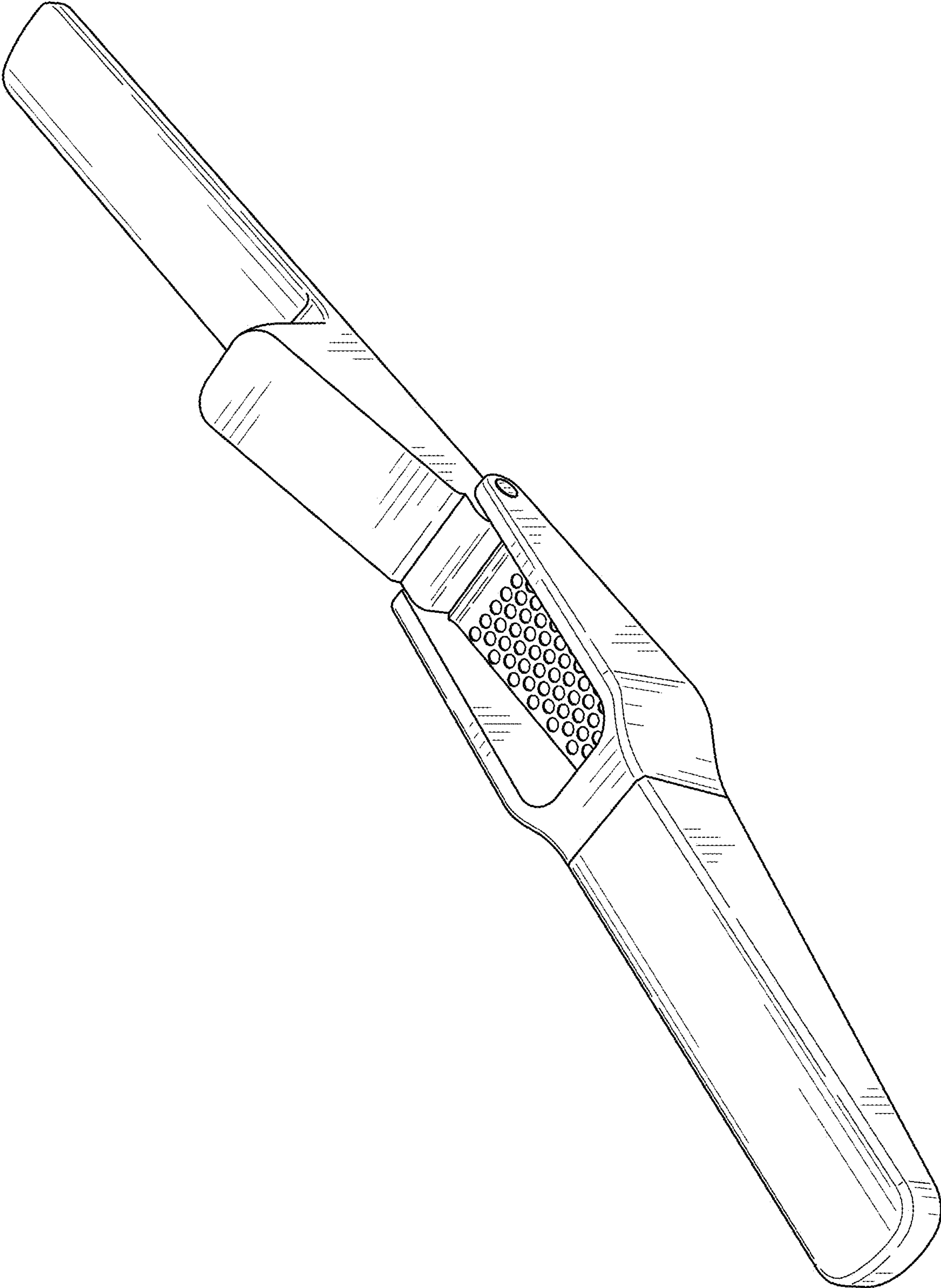


FIG. 8