



US00D986009S

(12) **United States Design Patent** (10) **Patent No.:** **US D986,009 S**  
**Ames** (45) **Date of Patent:** **\*\* \*May 16, 2023**

- (54) **FLIP LID TUMBLER**
- (71) Applicant: **Real Value LLC**, Moore, OK (US)
- (72) Inventor: **Micah Ames**, Confer, CO (US)
- (73) Assignee: **Real Value LLC**, Moore, OK (US)

- D667,265 S \* 9/2012 George ..... D7/396.2
- D672,238 S 12/2012 Aziz et al.
- D672,609 S 12/2012 Aziz et al.
- D700,012 S 2/2014 Hurley et al.
- D717,115 S \* 11/2014 Lane ..... D7/511
- D721,540 S \* 1/2015 Grcic ..... D7/511
- D723,333 S 3/2015 Lin
- D724,385 S 3/2015 Hurley et al.

(\* ) Notice: This patent is subject to a terminal disclaimer.

(\*\*) Term: **15 Years**

(21) Appl. No.: **29/805,925**

(22) Filed: **Aug. 31, 2021**

**Related U.S. Application Data**

- (63) Continuation of application No. 29/690,023, filed on May 3, 2019, now Pat. No. Des. 931,051.
- (51) **LOC (14) Cl.** ..... **07-01**
- (52) **U.S. Cl.**  
USPC ..... **D7/510; D7/511**
- (58) **Field of Classification Search**  
USPC ..... D7/507, 509, 510, 511, 529, 531, 532, D7/523, 533, 534, 535, 536, 392.1, 296.1, D7/396.2, 300.1, 608; D3/202; D26/9  
CPC ..... A47G 19/22; A47G 19/2288; A47G 19/2205; A47J 41/0077; A47J 41/0088  
See application file for complete search history.

(56) **References Cited**

**U.S. PATENT DOCUMENTS**

- 4,494,668 A \* 1/1985 Lottick ..... A47G 19/2288  
215/229
- D485,759 S \* 1/2004 Janky ..... D9/449
- D604,103 S \* 11/2009 Alviar ..... D7/510
- D608,140 S \* 1/2010 Gilbert ..... D7/392.1
- D620,357 S 7/2010 Jewett et al.
- D623,017 S \* 9/2010 George ..... D7/510
- D632,132 S \* 2/2011 George ..... D7/533
- D643,245 S \* 8/2011 Minarsch ..... D7/392.1
- D648,177 S 11/2011 Eyal

(Continued)

**OTHER PUBLICATIONS**

[https://www.amazon.com/Simple-Modern-Flip-Lid-Internally/dp/B07BMG7VCX/ref=sr\\_1\\_2?dchild=1&keywords=flip%2Blid%2Btumbler&qid=1598293273&sr=8-2&th=1](https://www.amazon.com/Simple-Modern-Flip-Lid-Internally/dp/B07BMG7VCX/ref=sr_1_2?dchild=1&keywords=flip%2Blid%2Btumbler&qid=1598293273&sr=8-2&th=1) Mar. 21, 2018 (Year: 2018).\*

(Continued)

*Primary Examiner* — Jae Liang

*Assistant Examiner* — Ji Sun Yoon

(74) *Attorney, Agent, or Firm* — Hall Estill Law Firm; Michael H. Smith

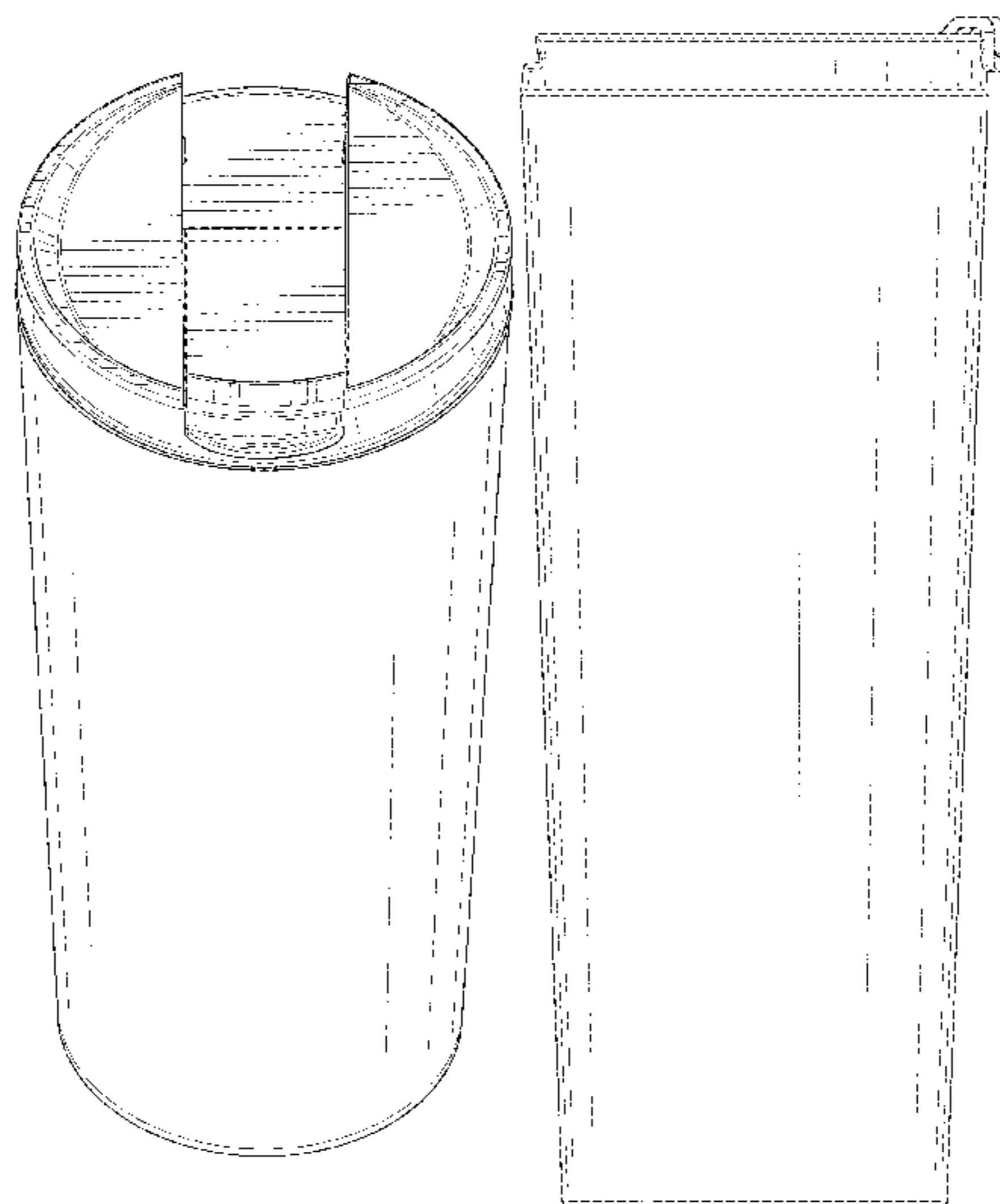
(57) **CLAIM**

The ornamental design for a flip lid tumbler, as shown and described.

**DESCRIPTION**

FIG. 1 is a top, perspective view of a design of a first embodiment of a flip lid tumbler.  
 FIG. 2 is a bottom, perspective view of FIG. 1.  
 FIG. 3 is a front side elevation view of FIG. 1.  
 FIG. 4 is a rear side elevation view of view of FIG. 1.  
 FIG. 5 is a right side elevation view of FIG. 1.  
 FIG. 6 is left side elevation view of FIG. 1.  
 FIG. 7 is a top view of FIG. 1.  
 FIG. 8 is a bottom view of FIG. 1; and,  
 FIG. 9 is a right side view of a second embodiment of a flip lid tumbler.  
 The broken lines in the drawings depict portions of the flip lid tumbler that form no part of the claimed design.

**1 Claim, 8 Drawing Sheets**



(56)

References Cited

U.S. PATENT DOCUMENTS

D725,965 S \* 4/2015 Bo ..... D7/510  
 D787,935 S 5/2017 Kaiser  
 D790,920 S 7/2017 Goodwin et al.  
 D791,579 S 7/2017 Goodwin et al.  
 D803,684 S \* 11/2017 Seiders ..... D9/449  
 D808,220 S 1/2018 Burns et al.  
 D809,920 S 2/2018 Maple  
 D810,504 S 2/2018 Goodwin et al.  
 D811,818 S 3/2018 Wu  
 D812,428 S 3/2018 Wu  
 D814,240 S \* 4/2018 Kabalin ..... D7/510  
 D815,908 S 4/2018 Kauss et al.  
 D822,439 S 7/2018 Spivey et al.  
 D834,882 S \* 12/2018 Seiders ..... D9/449  
 D836,395 S \* 12/2018 Seiders ..... D7/510  
 D844,383 S \* 4/2019 Seiders ..... D7/510  
 D861,415 S \* 10/2019 Seiders ..... D7/392.1  
 D863,876 S \* 10/2019 Alprin ..... D7/392.1

D886,514 S \* 6/2020 Kander ..... D7/392.1  
 D891,866 S \* 8/2020 Ames ..... D7/510  
 D931,051 S \* 9/2021 Ames ..... D7/510  
 D933,423 S \* 10/2021 Ames ..... D7/510  
 D934,028 S \* 10/2021 Haskins ..... D7/510  
 2008/0264959 A1 \* 10/2008 Unda ..... B65D 1/265  
 2012/0132658 A1 \* 5/2012 Dans ..... G01K 15/005  
 2018/0194520 A1 \* 7/2018 Lovern ..... A01N 25/34

OTHER PUBLICATIONS

[https://www.amazon.com/Zak-Designs-Aberdeen-Stainless-Insulated/dp/B07NBBKBHF/ref=sr\\_1\\_35?crid=2K9DZKQ62VQXY&keywords=slim%2Bflip%2Btumbler&qid=1655246403&sprefix=slim%2Bflip%2Caps%2C118&sr=8-35&th=1](https://www.amazon.com/Zak-Designs-Aberdeen-Stainless-Insulated/dp/B07NBBKBHF/ref=sr_1_35?crid=2K9DZKQ62VQXY&keywords=slim%2Bflip%2Btumbler&qid=1655246403&sprefix=slim%2Bflip%2Caps%2C118&sr=8-35&th=1) May 22, 2020 (Year: 2020).\*

\* cited by examiner

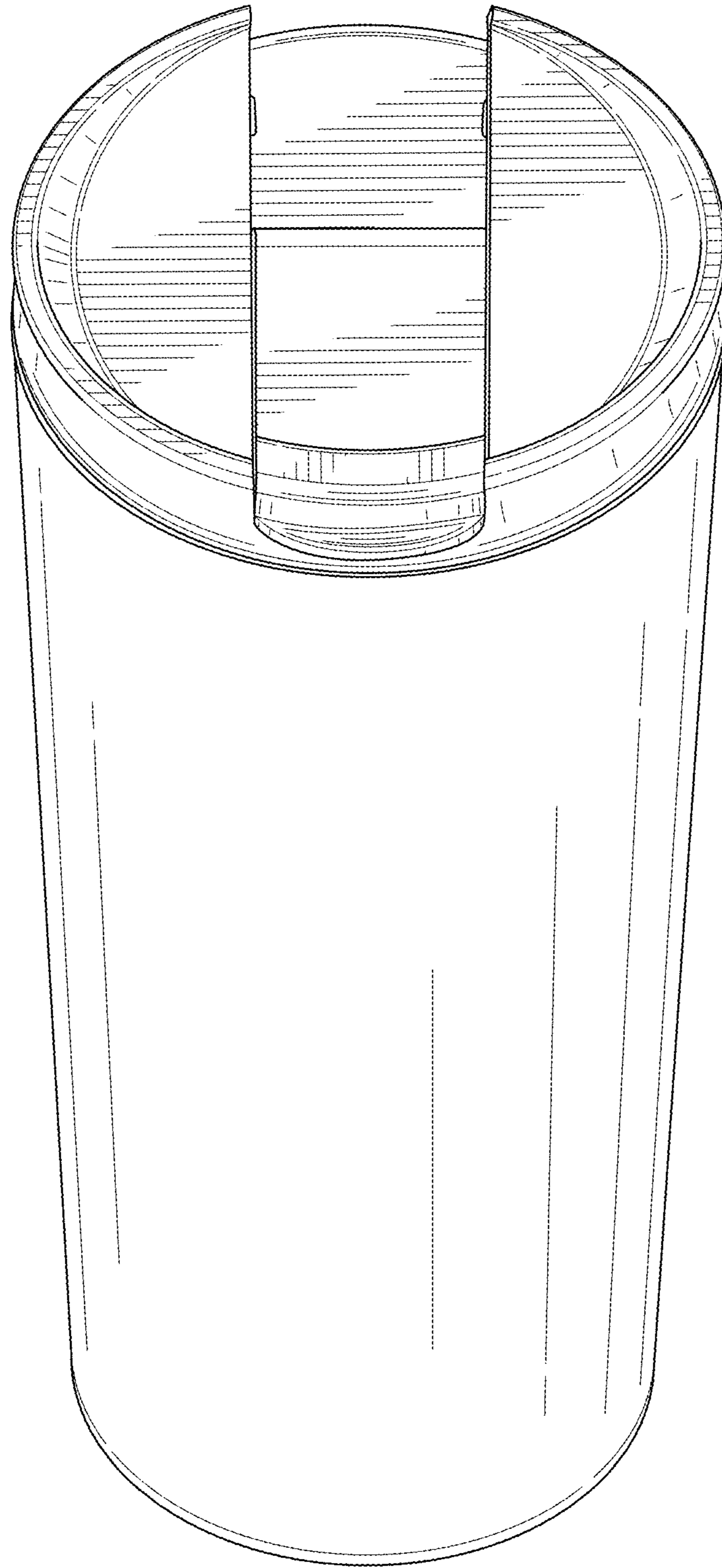


FIG. 1

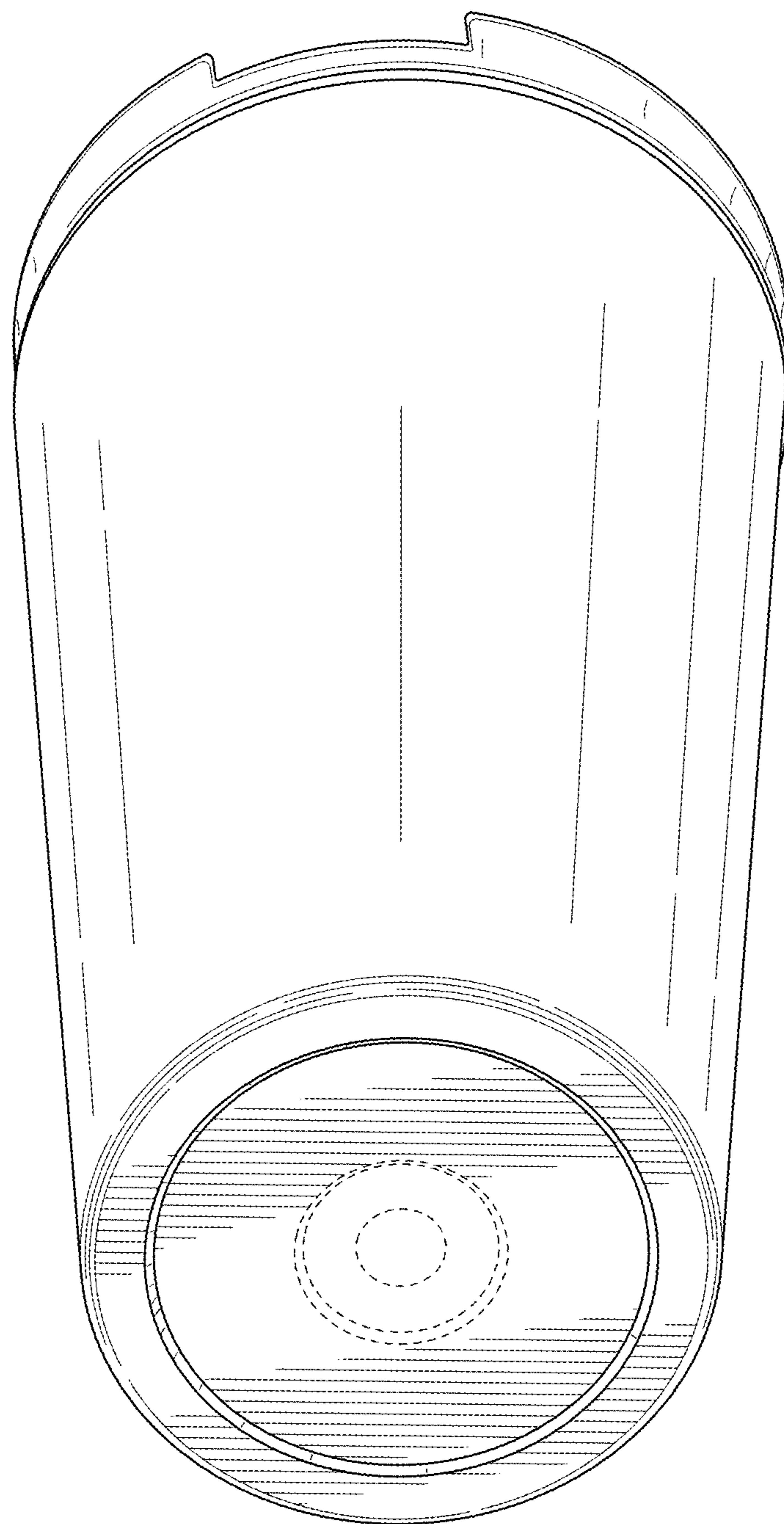


FIG. 2

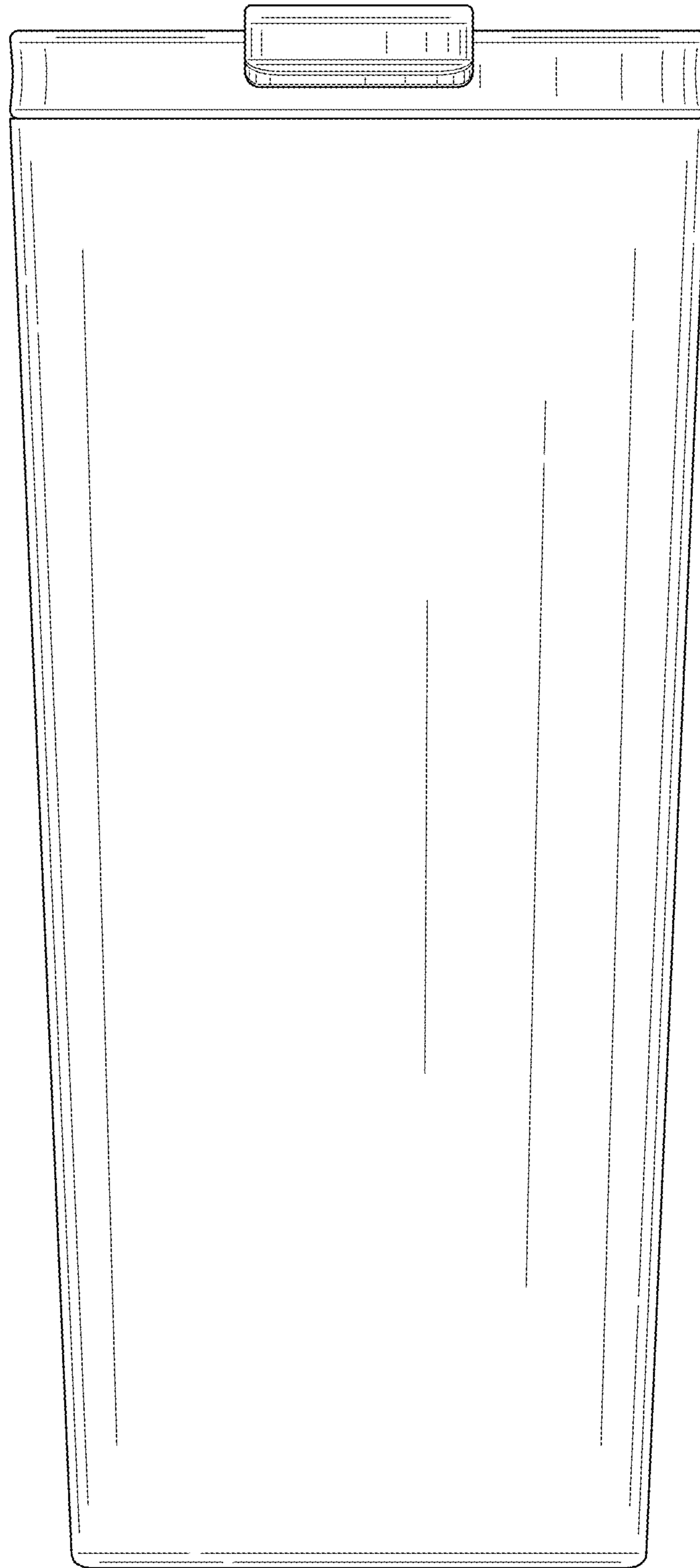


FIG. 3



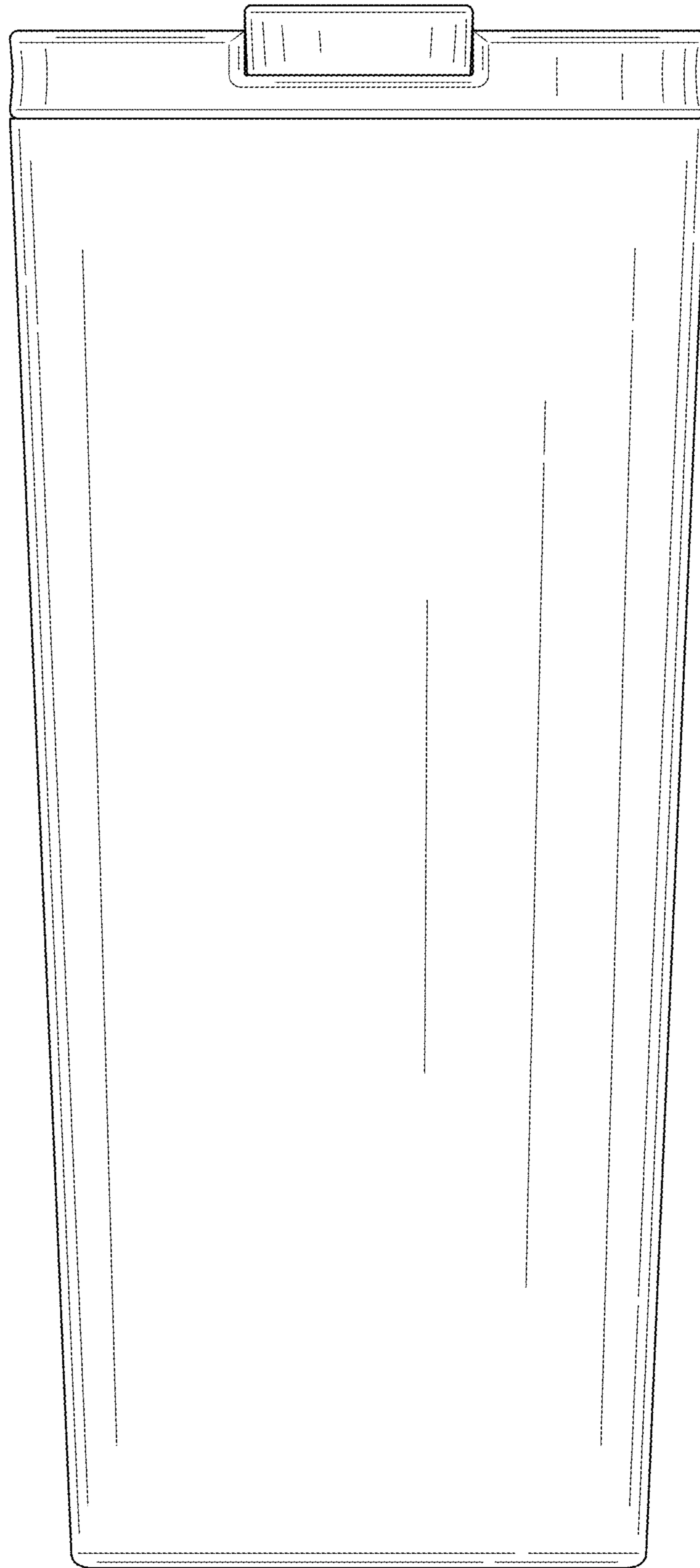


FIG. 4

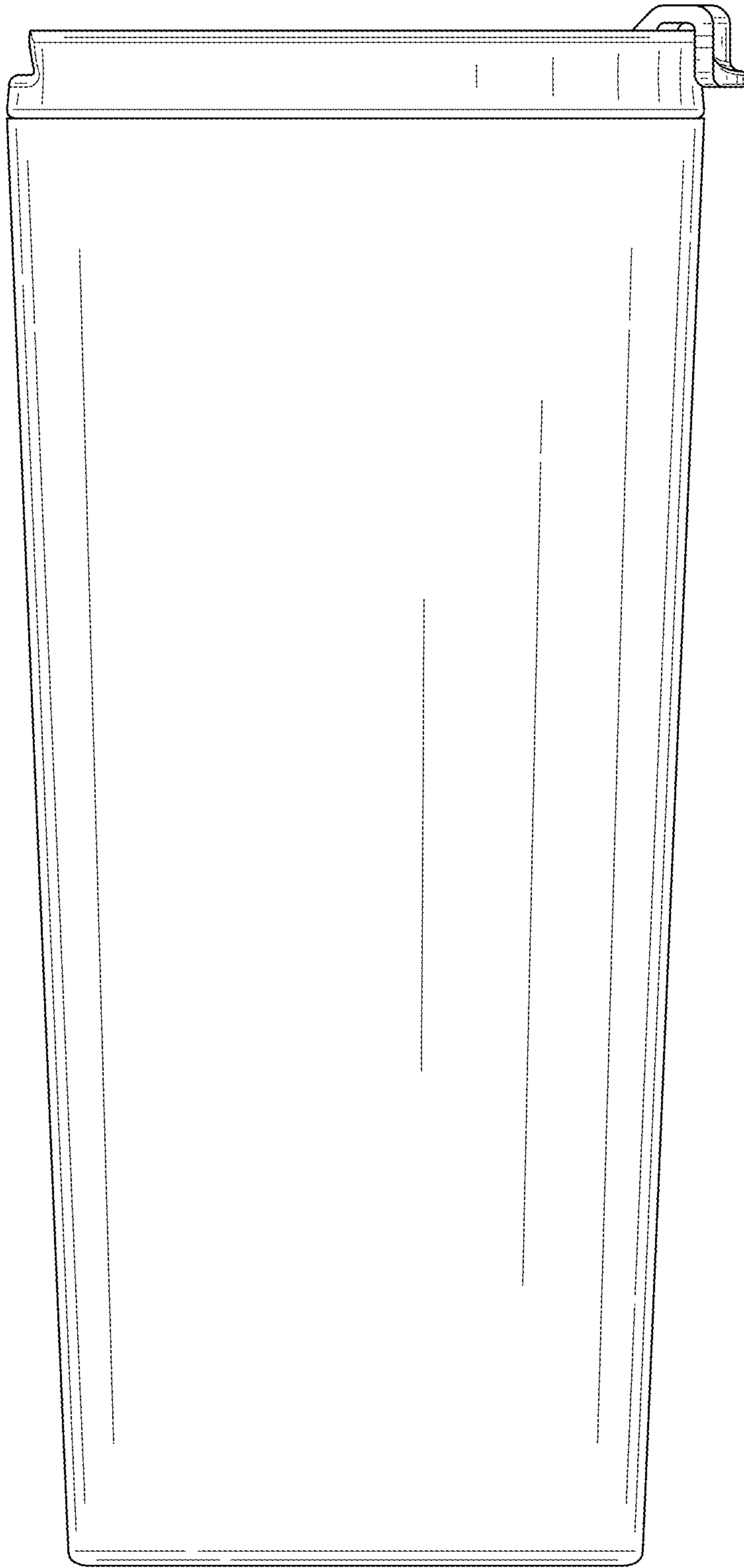


FIG. 5

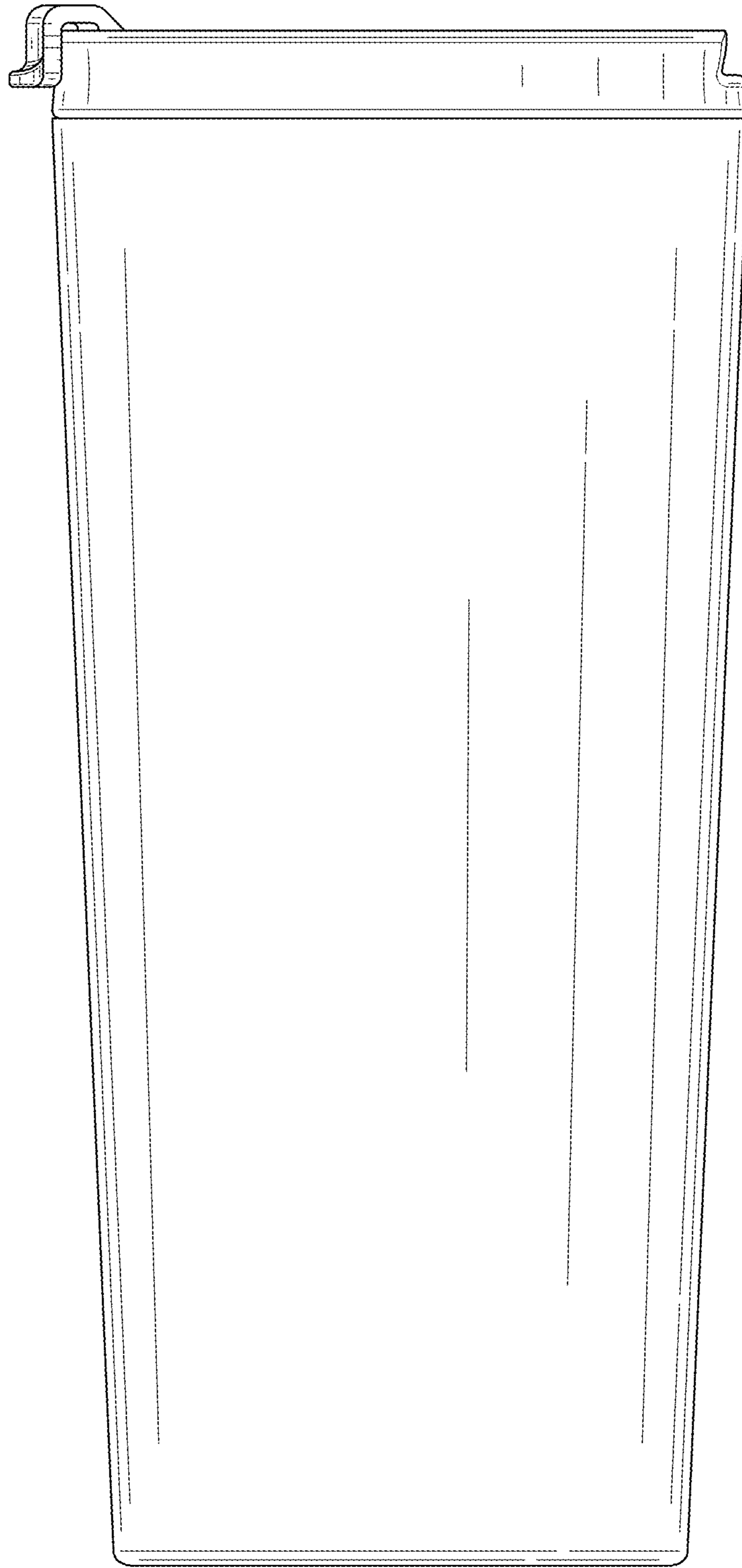


FIG. 6



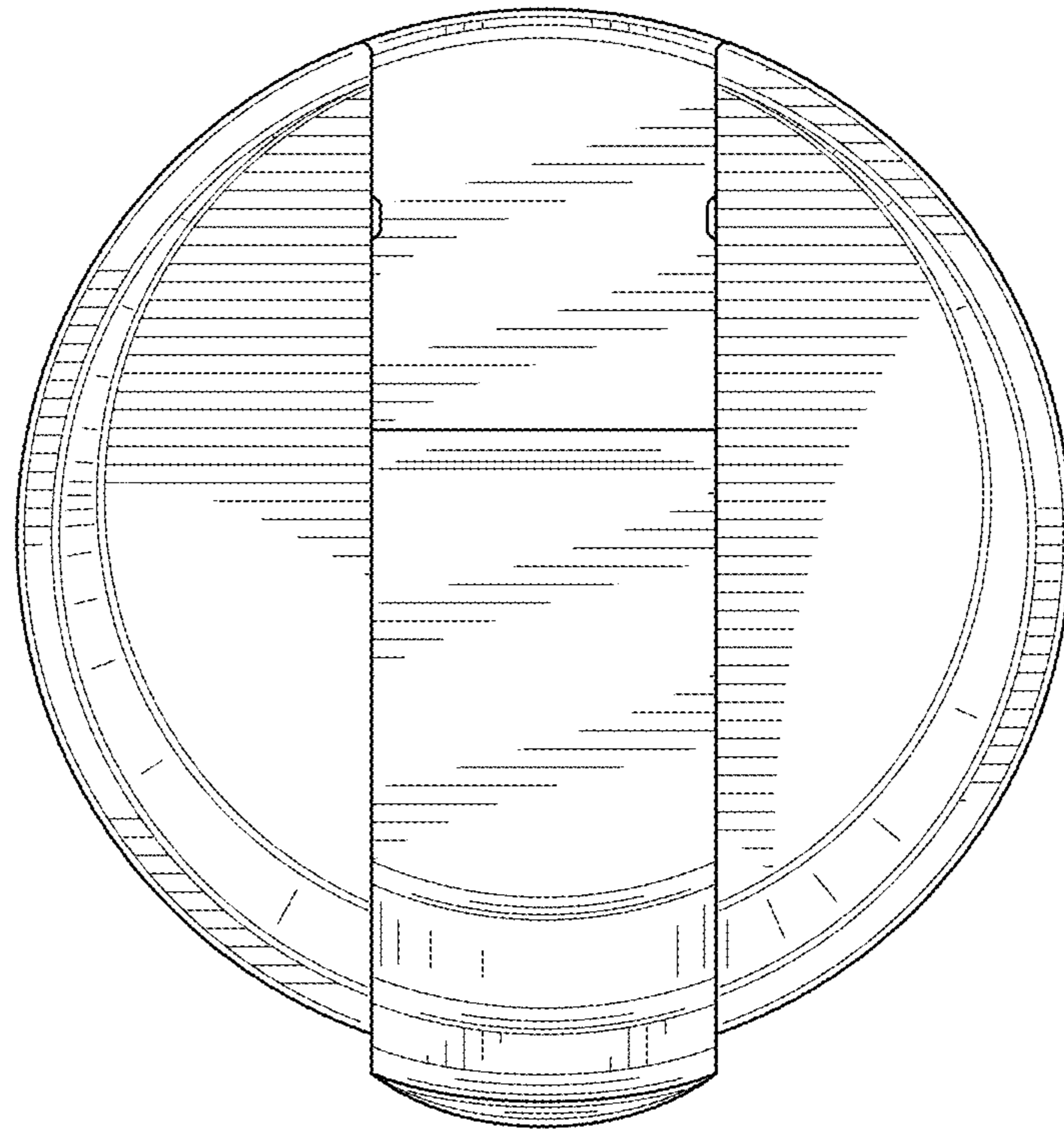


FIG. 7

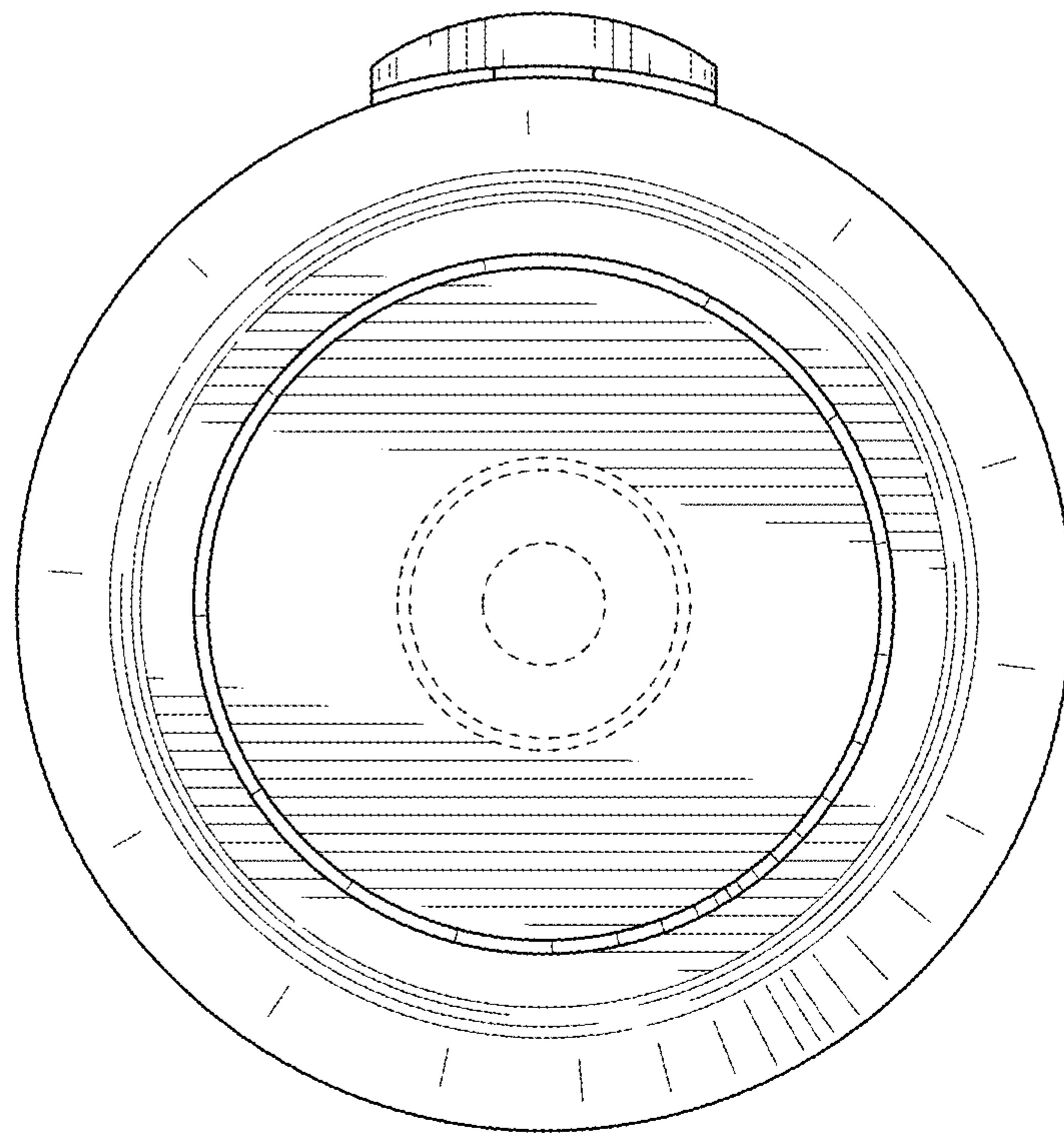


FIG. 8

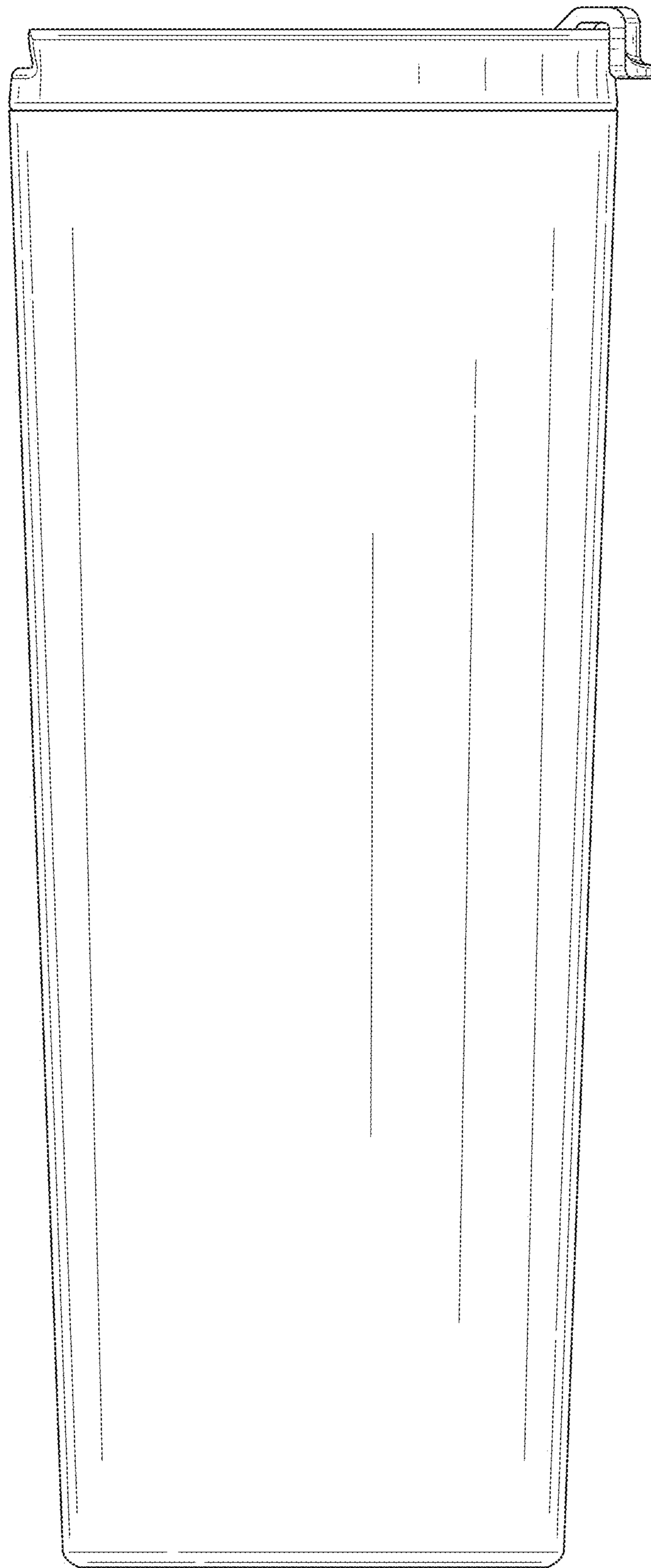


FIG. 9