



US00D986007S

(12) **United States Design Patent** (10) **Patent No.:** **US D986,007 S**
Alexander et al. (45) **Date of Patent:** **** May 16, 2023**

(54) **DRINKING CONTAINER**

(71) Applicant: **Ember Technologies, Inc.**, Westlake Village, CA (US)

(72) Inventors: **Clayton Alexander**, Westlake Village, CA (US); **Daren John Leith**, Agoura Hills, CA (US); **Jacob William Emmert**, Westchester, CA (US); **Christopher Kuh**, San Francisco, CA (US); **Martin Gschwandtl**, San Francisco, CA (US)

(73) Assignee: **Ember Technologies, Inc.**, Westlake Village, CA (US)

(**) Term: **15 Years**

(21) Appl. No.: **29/788,409**

(22) Filed: **May 18, 2021**

(51) **LOC (14) Cl.** **07-01**

(52) **U.S. Cl.**
 USPC **D7/509; D7/523**

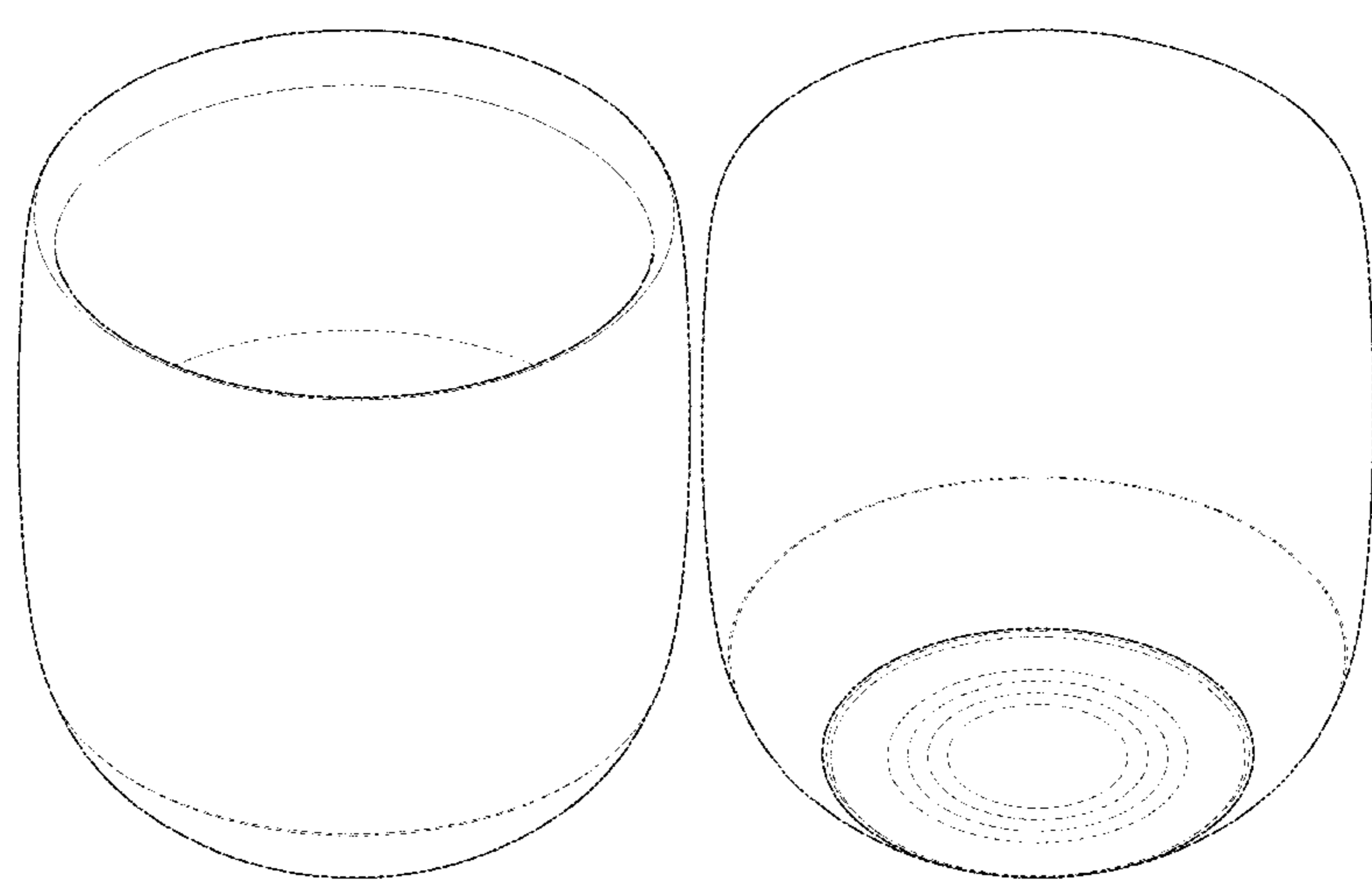
(58) **Field of Classification Search**
 USPC D7/507, 509, 510, 511, 523, 532, 392.1, D7/396.2, 514, 515, 300, 300.1; D9/503, D9/504, 517, 434, 557, 530; D8/38, 34; D20/15; D21/391, 392
 CPC A47G 19/22; A47G 19/2288; A47G 19/2205; A47G 19/2211; A47G 19/2216; A47G 19/2222; A47G 19/2227; A47J 41/02; A47J 41/028
 See application file for complete search history.

5,042,258 A	8/1991	Sundhar	
D338,302 S	8/1993	Shafer	
D366,810 S	2/1996	Yeh	
D377,293 S	1/1997	Husted	
D379,740 S	6/1997	Miller	
5,842,353 A	12/1998	Kuo-Liang	
D405,316 S *	2/1999	Spike	D7/523
D408,689 S	4/1999	Kato	
6,013,901 A	1/2000	Lavoie	
D421,216 S *	2/2000	Abrams	D9/504
6,072,161 A	6/2000	Stein	
D432,865 S	10/2000	Cohen	
6,140,614 A	10/2000	Padamsee	
D436,295 S	1/2001	Furman	
D438,430 S *	3/2001	Gabrhel	D7/509
6,314,867 B1	11/2001	Russell	
D457,036 S	5/2002	Manuel	
6,403,928 B1	6/2002	Ford	
D472,101 S	3/2003	Janky	
D483,995 S	12/2003	Otake	
6,674,052 B1	1/2004	Luo	
D490,272 S	5/2004	Rohe	
D495,208 S	8/2004	Putnam	
D497,778 S	11/2004	Rich	
6,852,954 B1	2/2005	Liu et al.	
D502,396 S	3/2005	Frisch	
6,864,462 B2	3/2005	Sanoner et al.	
D514,884 S	2/2006	Smith	
7,022,946 B2	4/2006	Sanoner et al.	
D519,785 S *	5/2006	Bodum	D7/509
D531,856 S	11/2006	Seum	
D535,151 S	1/2007	Seum	
D540,124 S	4/2007	Ross	
D540,170 S *	4/2007	Canamasas Puigbo	D9/504
D545,131 S	6/2007	Seum	
D549,523 S	8/2007	Montes	
D552,931 S	10/2007	Bodum	
D557,564 S	12/2007	Bodum	
D569,192 S	5/2008	Bodum	
D579,776 S *	11/2008	Hirato	D9/504
D588,936 S	3/2009	Ioannides	
D597,792 S *	8/2009	Lion	D7/509
D599,169 S	9/2009	Stalions	
D608,147 S	1/2010	Sykes	
D623,473 S	9/2010	Chen	
D648,599 S	11/2011	Watanabe	
D649,403 S	11/2011	Eyal	
D654,319 S	2/2012	Myers	
D657,198 S *	4/2012	Bodum	D7/523
D658,444 S *	5/2012	Krašovec Pogorelčnik	D7/509
D662,776 S	7/2012	Eyal	
D663,589 S *	7/2012	Pascot	D7/509
8,225,957 B1	7/2012	Volan	

(56) **References Cited**

U.S. PATENT DOCUMENTS

D55,571 S	6/1920	Paine	
2,299,730 A	10/1942	Bornstein	
D139,441 S	11/1944	Lippincott	
D185,465 S	6/1959	Schlumbohm	
D194,053 S	11/1962	Cornelius	
D261,105 S *	10/1981	Schwartz	D9/504
4,980,539 A	12/1990	Walton	



8,274,016	B2	9/2012	Montana	
D705,012	S	5/2014	Lapsker	
D706,475	S	6/2014	Lee	
D712,192	S *	9/2014	Prueksapornpong	D7/354
D716,982	S	11/2014	Corey	
D719,785	S	12/2014	Grcic	
D721,540	S	1/2015	Grcic	
D724,385	S	3/2015	Hurley	
D727,093	S	4/2015	Lapsker	
D729,007	S *	5/2015	Kehoe	D7/509
D734,989	S	7/2015	Lapsker	
D742,176	S *	11/2015	Thun	D7/509
D744,283	S *	12/2015	Thun	D7/509
D744,284	S *	12/2015	Thun	D7/509
D747,929	S	1/2016	Arseneau	
D750,938	S *	3/2016	Thun	D7/584
D764,233	S	8/2016	Lee	
D764,234	S	8/2016	Lee	
D770,853	S	11/2016	Gschwandtl	
D773,250	S	12/2016	Miller	
D784,137	S	4/2017	Cates	
D787,888	S	5/2017	Joseph	
D803,060	S *	11/2017	Marina	D9/504
D813,607	S	3/2018	Nally	
D818,648	S *	5/2018	Cleij	D9/504
D822,440	S	7/2018	Kuh	
D828,097	S	9/2018	Silsby	
D832,050	S	10/2018	Diener	
D839,676	S	2/2019	Seiders	
D842,111	S *	3/2019	Delia	D9/504
D870,388	S *	12/2019	Cleij	D9/504
D870,974	S *	12/2019	Cleij	D9/504
D878,873	S *	3/2020	Johnson	D7/608
D882,343	S	4/2020	Rane	
D883,746	S *	5/2020	Bétry	D7/523
D886,541	S *	6/2020	Burns	D9/504
D893,948	S *	8/2020	Ou	D7/672
D905,506	S	12/2020	Wiesenthal	
D922,145	S *	6/2021	Kuh	D34/1
D934,036	S *	10/2021	Jenkins	D9/504
D951,298	S *	5/2022	Mangum	D14/496
D951,772	S *	5/2022	Sahatjian	D9/519
2005/0121431	A1	6/2005	Yuen	
2006/0207442	A1	9/2006	Pettersson	
2010/0000980	A1	1/2010	Popescu	
2010/0224645	A1	9/2010	Gilbert	
2011/0072978	A1	3/2011	Popescu	
2012/0082766	A1	4/2012	Maupin et al.	
2013/0175278	A1	7/2013	Kah, Jr.	
2013/0221013	A1	8/2013	Kolowich et al.	
2014/0124513	A1	5/2014	Shearer	
2018/0312322	A1	11/2018	Canales Kell	

FOREIGN PATENT DOCUMENTS

CN	202283199	U	6/2012
JP	HD2300613300		3/2012
JP	1493766	S	3/2014
JP	D1522935		5/2015
JP	D1635140		7/2019
KR	3007448710000		5/2014
KR	3010221030000		9/2019
KR	3010680780000		7/2020
TW	D167180		4/2015
TW	D177904		9/2016

TW	D188593	2/2018
TW	D197980	6/2019

OTHER PUBLICATIONS

https://www.amazon.com/TEANAGOO-Ceramic-Japanese-Lt-Grey-Occupied/dp/B09CDSVLL9/ref=asc_df_B09CDSVLL9/?tag=hyprod-20&linkCode=df0&hvadid=532737831514&hvpos=&hvnetw=g&hvrnd=8054347644809132858&hvpon=&hvptwo=&hvqmt=&hvdev=c&hvdvcmld=&hvlocint=&hvlocphy=9059726&hvtargid=pla-1456199525494&th=1 Aug. 11, 2021 (Year: 2021).*

https://www.amazon.com/dp/B09QPD3RXZ?_encoding=UTF8&psc=1&ref_cm_sw_r_cp_ud_dp_1QCTEVPXMHTNDA6V0Z0F Mar. 26, 2020 (Year: 2020).*

https://www.amazon.com/Ember-Temperature-Control-Copper-Battery/dp/B09GC9FSPT/ref=sr_1_12?crid=2Y2A00NTL10ZY&keywords=ember+cup&qid=1657751752&srefix=ember+cup%2Caps%2C152&sr=8-12 Jun. 8, 2022 (Year: 2022).*

https://www.amazon.com/dp/B08LMZVDZ3?_encoding=UTF8&psc=1&ref_cm_sw_r_cp_ud_dp_G35FKZR09VHSBQ16NEB0 Oct. 22, 2020 (Year: 2020).*

<https://www.ssense.com/en-us/everything-else/product/stelton/white-foster-espreso-thermo-cup-set-13-oz/8658291> no date available/ website visited on Jul. 13, 2022 (Year: 2022).*

Drinking Container! StainlessLUXI posted at Amazon.com © 1999-2017 Amazon.com, [on line], [site visited Sep. 21, 2017]. Available from Internet, <URL:https://www.amazon.com/StainlessLUX-73261-Stainless-Drinking-12-Ounce/dp/B003TLZO44/ref=Sr_1_543?s=home-garden&ie=UTF8&qid=1506025028&sr=1-543&keywords=steel+cup>.

Drinking Container! Votive Candle! posted at Okcandle.com © 2009-2017 Okcandle.com, [on line], [site visited Sep. 21, 2017]. Available from Internet, <URL: <http://www.okcandle.com/products/Frosted-round-bottom-votive-candle-glasscup.html#.WcQEovkrJqM>>.

Ember Ceramic Mug, 14 oz, available Apr. 3, 2019, < <http://web.archive.org/web/20190403224930/https://ember.com/products/ember-ceramic-mug>>.

Search Report regarding ROC (Taiwan) Patent Application No. 110306267, dated Apr. 29, 2022, 4 pages.

* cited by examiner

Primary Examiner — Jae Liang
Assistant Examiner — Ji Sun Yoon
 (74) *Attorney, Agent, or Firm* — Knobbe, Martens, Olson & Bear LLP

(57) **CLAIM**

The ornamental design for a drinking container, as shown and described.

DESCRIPTION

FIG. 1 is a perspective top view of a new design for a drinking container;
 FIG. 2 is a perspective bottom view thereof;
 FIG. 3 is a top view thereof;
 FIG. 4 is a bottom view thereof;
 FIG. 5 is a front view thereof;
 FIG. 6 is a rear view thereof;
 FIG. 7 is a left side view thereof;
 FIG. 8 is a right side view thereof; and,
 FIG. 9 is a cross-sectional view showing a section taken along line 9-9 of FIG. 5.
 The broken lines in the drawings depict portions of the drinking container that form no part of the claimed design.

1 Claim, 8 Drawing Sheets

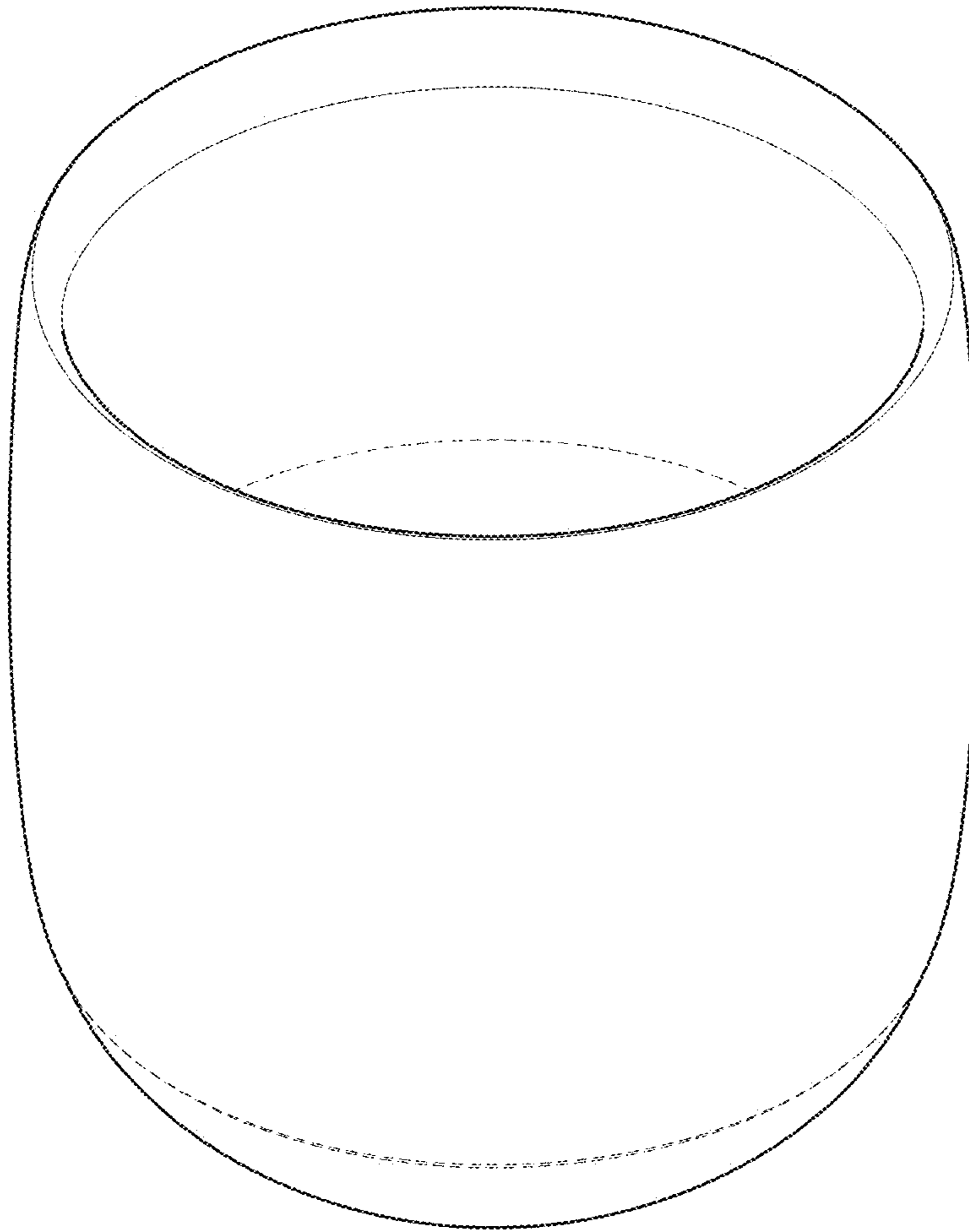


Fig. 1

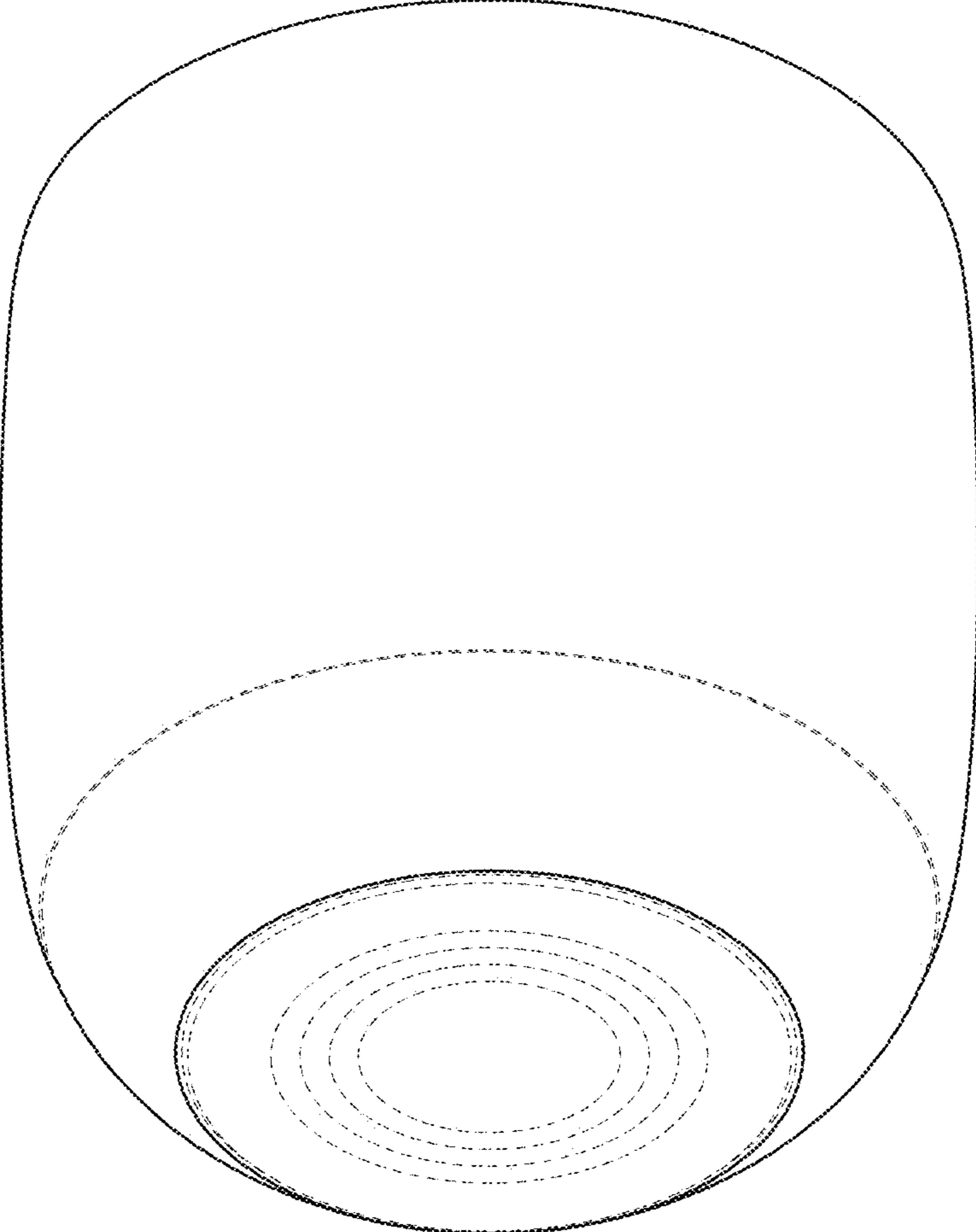


Fig. 2

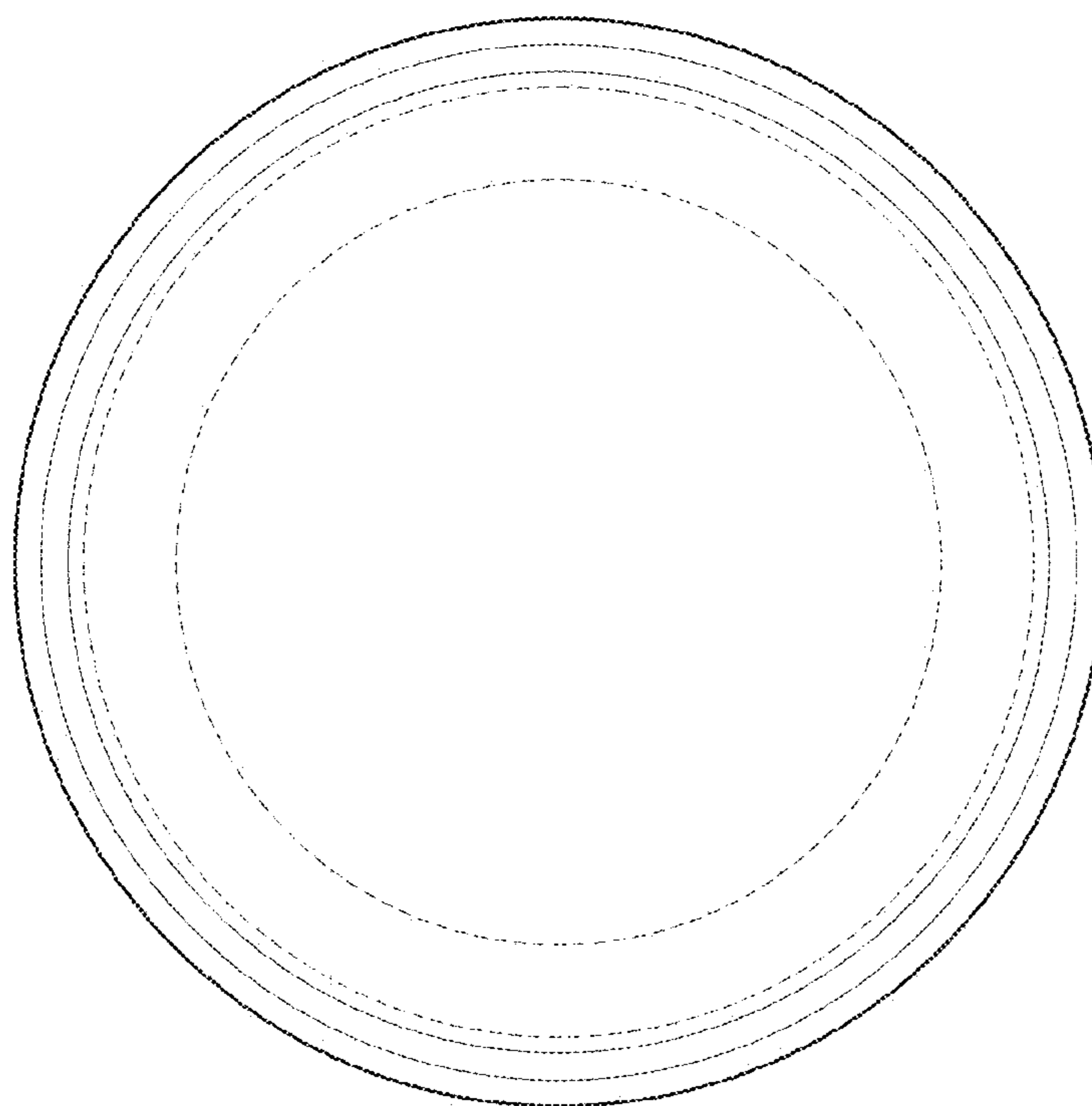


Fig. 3

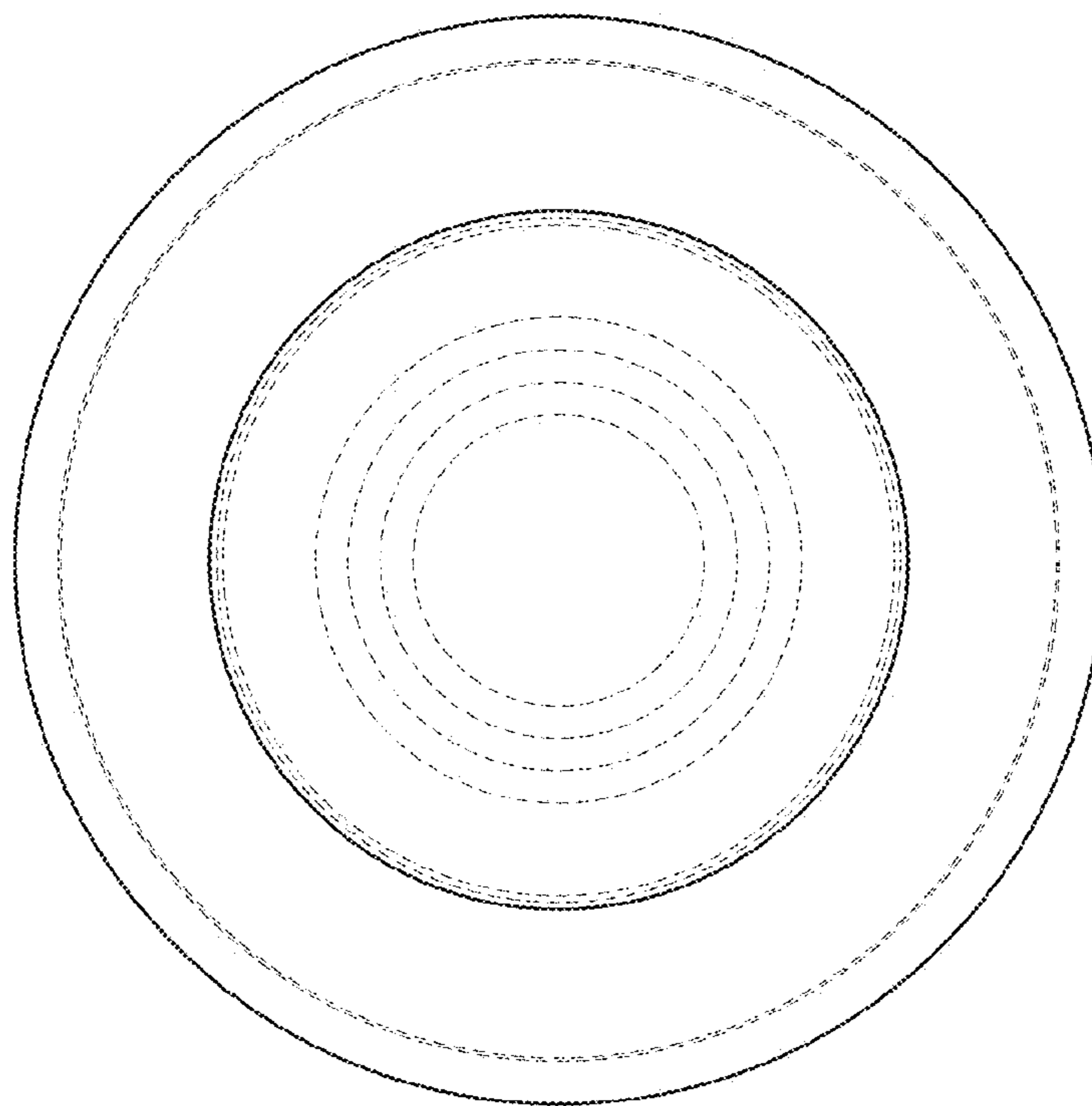


Fig. 4

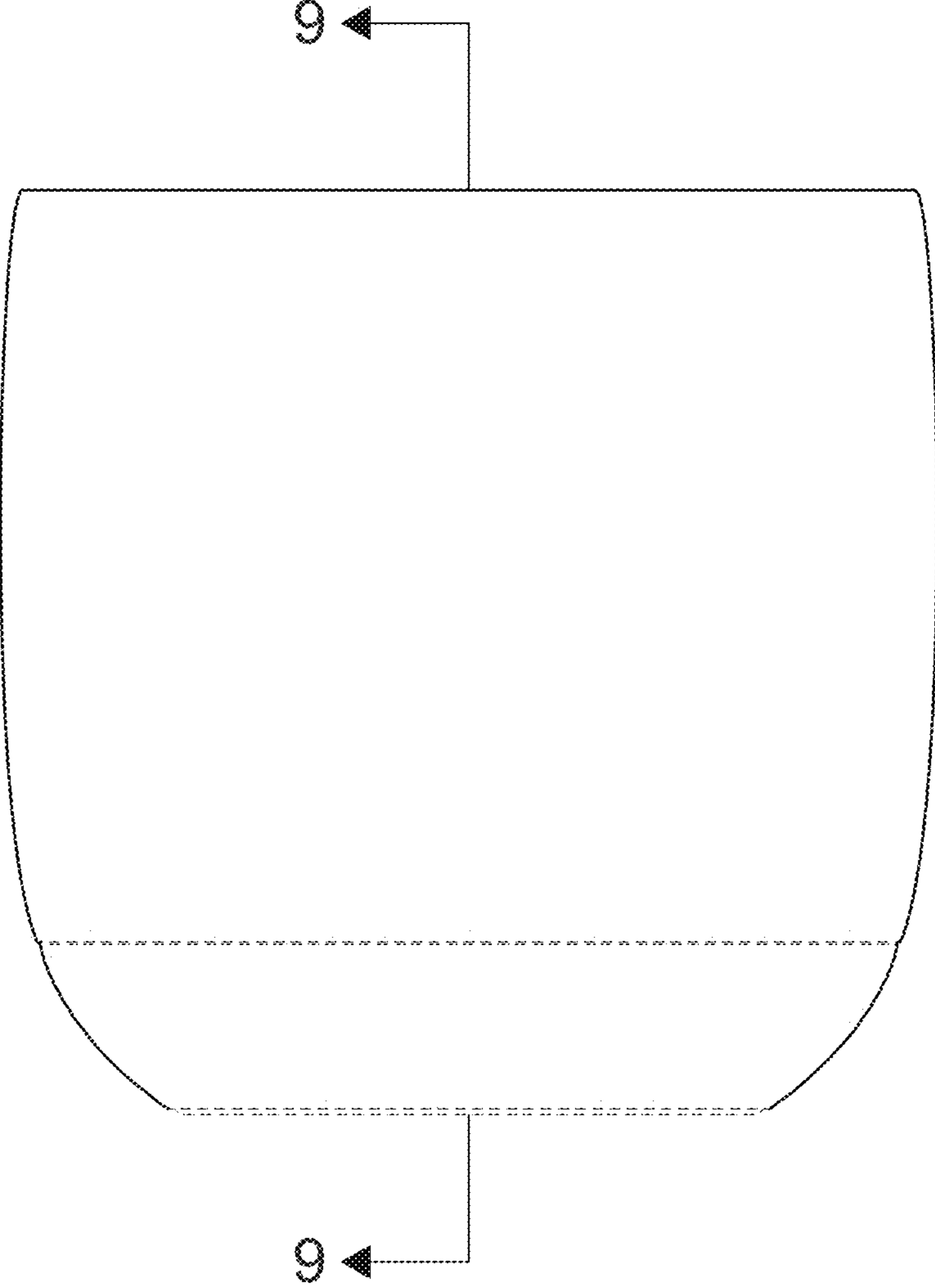


Fig. 5

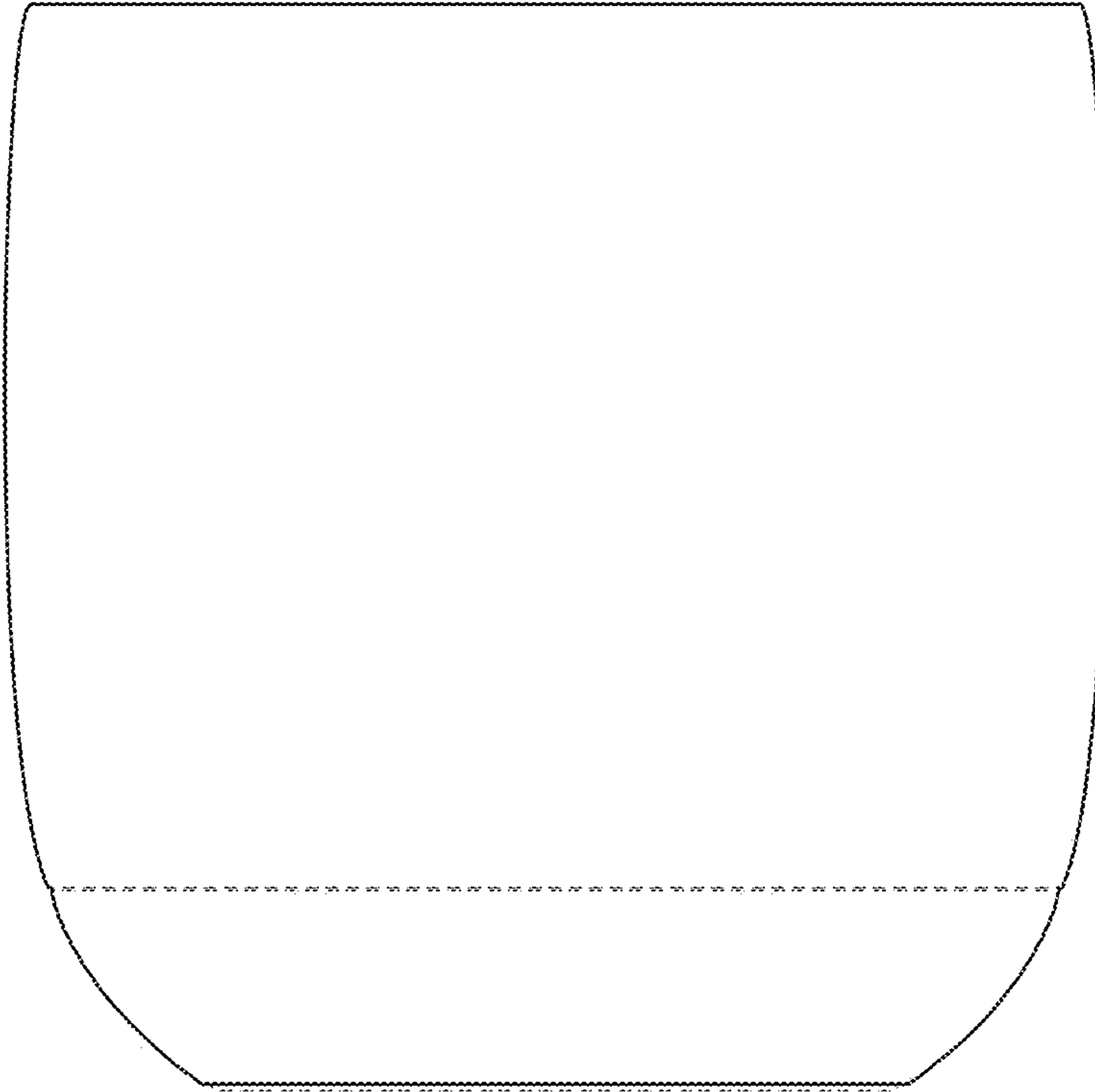


Fig. 6

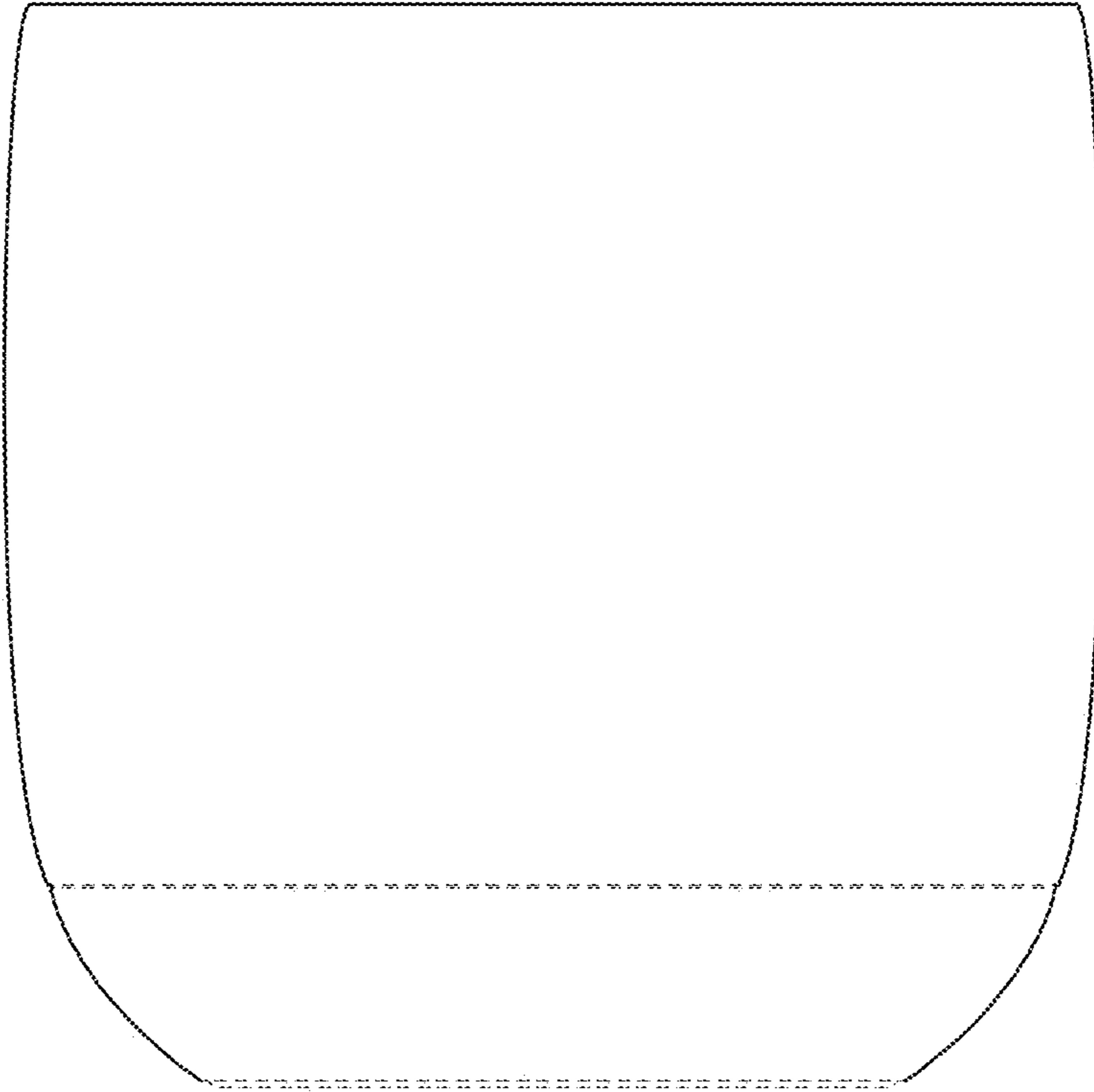


Fig. 7

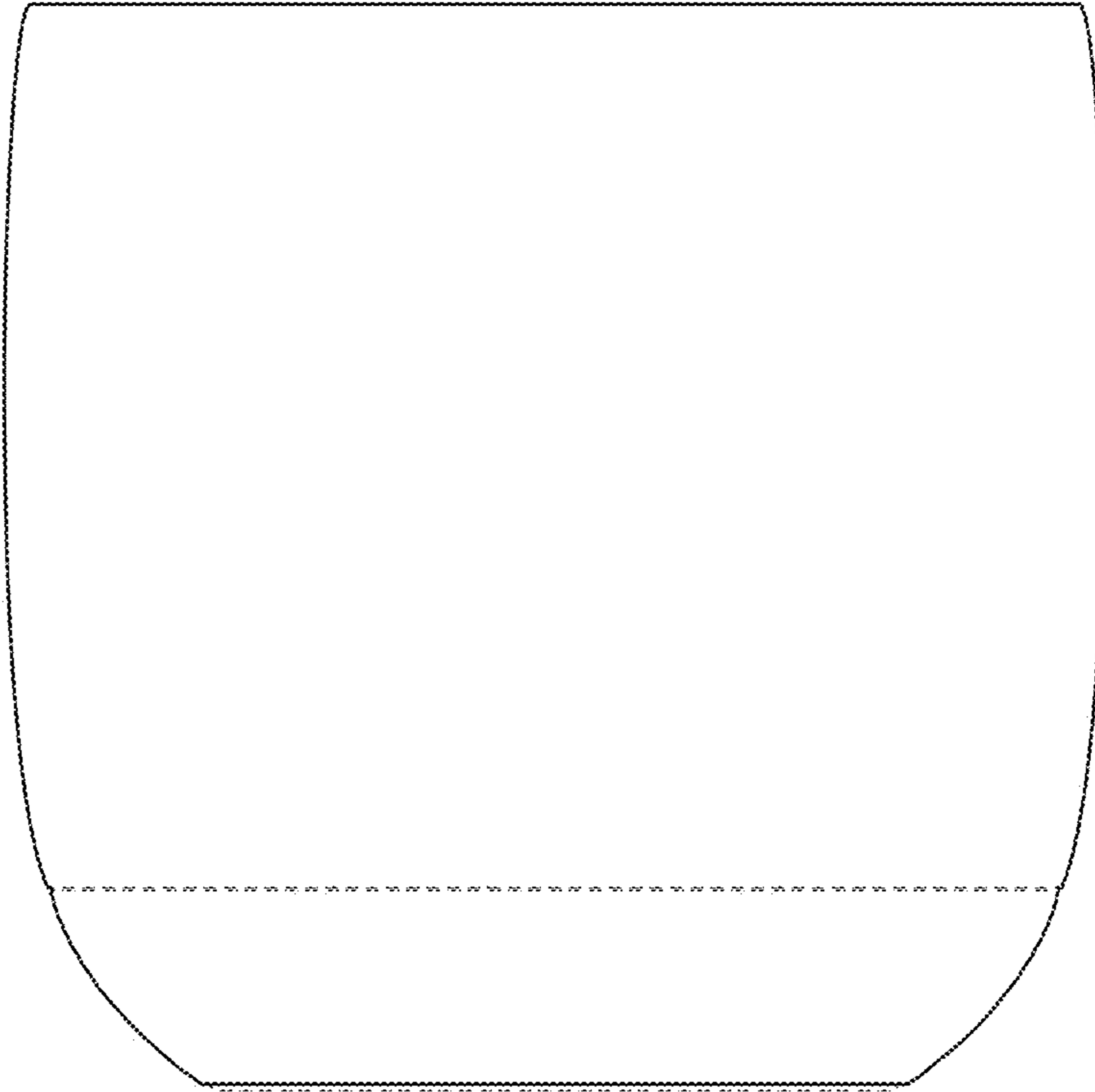


Fig. 8

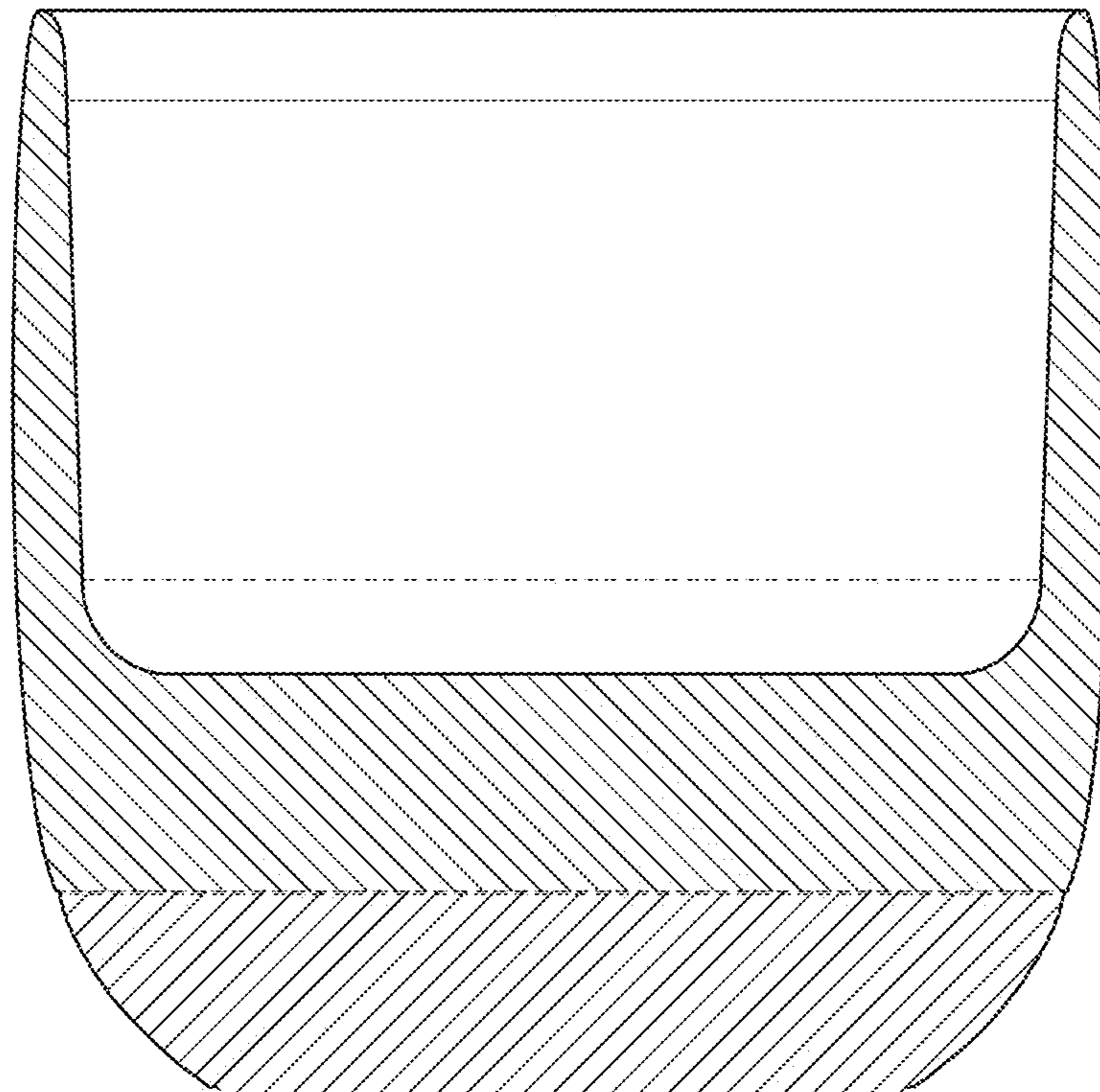


Fig. 9