



US00D986004S

(12) **United States Design Patent**
Skvorecz

(10) **Patent No.:** **US D986,004 S**

(45) **Date of Patent:** **** May 16, 2023**

(54) **FINGER RELIEF FOR WIRE STAND OR ROAST RACK**

(71) Applicant: **Robert J. Skvorecz**, Kinnelon, NJ (US)

(72) Inventor: **Robert J. Skvorecz**, Kinnelon, NJ (US)

(**) Term: **15 Years**

(21) Appl. No.: **29/796,530**

(22) Filed: **Jun. 24, 2021**

(51) **LOC (14) Cl.** **07-02**

(52) **U.S. Cl.**

USPC **D7/409**; D7/402

(58) **Field of Classification Search**

USPC D7/323, 329-332, 337, 339, 346-347,
D7/350.1-350.4, 354-363, 391, 393, 395,
D7/402, 409, 538, 542, 587, 667, 601,
D7/504; D6/462-463

CPC A47J 37/0786; A47J 37/0694; A47J
37/1295; A47L 15/505; F23G 5/42; F23H
13/00; F24B 1/193

See application file for complete search history.

(56) **References Cited**

U.S. PATENT DOCUMENTS

2,222,089	A *	11/1940	Saffell	A47J 37/0694	99/426
3,084,617	A *	4/1963	Jamentz	A47J 37/0694	99/449
D251,107	S *	2/1979	Ottier	D7/409	
D270,608	S *	9/1983	Spanek	D7/409	
D274,880	S *	7/1984	Bentson	D7/630	
D278,306	S *	4/1985	McIntosh	D7/409	
D282,706	S *	2/1986	DiFede	D7/408	
D284,543	S *	7/1986	Huls	D7/409	
4,612,851	A *	9/1986	McManus	A47J 33/00	126/30
D286,128	S *	10/1986	Bowen	D7/402	

D286,129	S *	10/1986	Bowen	D7/402	
4,848,217	A *	7/1989	Koziol	A47J 37/0694	99/426
4,852,760	A *	8/1989	Sarnoff	A47J 36/022	220/573.1

(Continued)

FOREIGN PATENT DOCUMENTS

CN	305040331	*	2/2019
CN	305320027	*	8/2019

(Continued)

OTHER PUBLICATIONS

Grisun Universal Grill Rack, Oct. 19, 2019, <https://www.amazon.com/Grisun-Universal-Charcoal-Traeger-Accessories/dp/B07YY2LPD1> (Year: 2019).*

(Continued)

Primary Examiner — Christian P. McLean

Assistant Examiner — Nader Abadir

(74) *Attorney, Agent, or Firm* — Michael J. Feigin, Esq.;
Feigin and Fridman LLC

(57)

CLAIM

The ornamental design for a finger relief for wire stand or roast rack, as shown and described.

DESCRIPTION

FIG. 1 is a perspective view of finger relief for wire stand or roast rack.

FIG. 2 is a side view thereof the reverse side being a mirror image thereof.

FIG. 3 is a front view thereof.

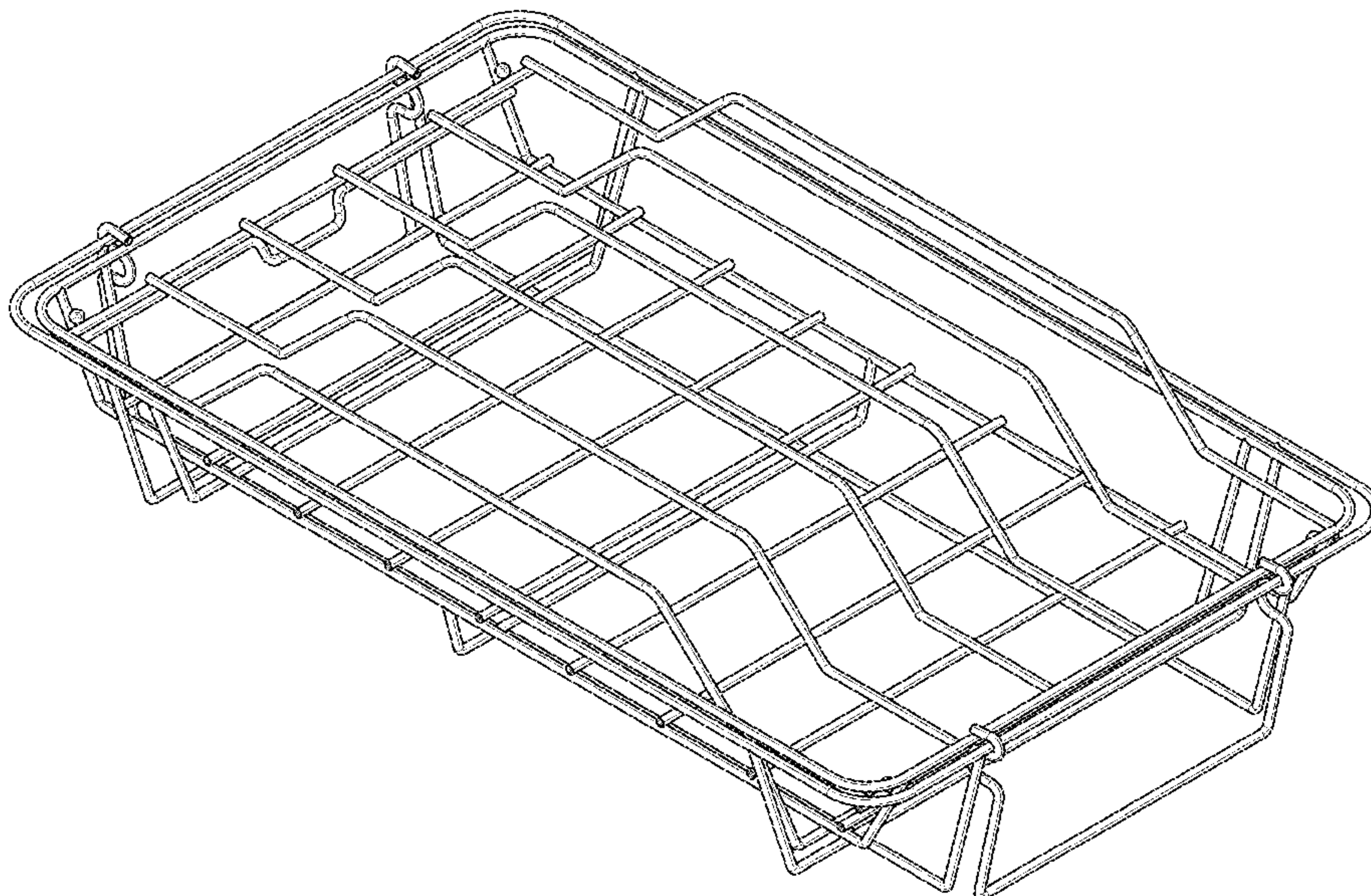
FIG. 4 is a top plan view thereof.

FIG. 5 is bottom plan view thereof.

FIG. 6 is a first cutaway view along section line 6-6 of FIG. 4; and,

FIG. 7 is a second cutaway view along section line 7-7 of FIG. 4.

1 Claim, 5 Drawing Sheets



(56)

References Cited

U.S. PATENT DOCUMENTS

4,924,768 A * 5/1990 Jay A47J 43/18
99/425
D308,317 S * 6/1990 Koziol D7/409
D311,849 S * 11/1990 Strand D7/354
D312,023 S * 11/1990 Strand D7/678
D387,949 S * 12/1997 Bentson 99/426
6,164,194 A * 12/2000 Westmoreland A47J 43/18
99/449
D699,073 S * 2/2014 Cheung D7/402
D807,116 S * 1/2018 Fariello D7/366
D852,582 S * 7/2019 Skvorecz D7/366
D859,058 S * 9/2019 Mirchandani D7/354
D876,160 S * 2/2020 Deng D7/354
D909,813 S * 2/2021 Yasuda D7/354
D921,431 S * 6/2021 Krishnan D7/409
D937,627 S * 12/2021 Young D7/409
2006/0130673 A1 * 6/2006 Kaliveh A47J 37/0694
99/450
2007/0137501 A1 * 6/2007 Manuel F24C 15/16
99/450
2010/0314977 A1 * 12/2010 Mallory A47L 15/504
312/228.1
2012/0024169 A1 * 2/2012 Hsu A47J 37/042
99/450
2020/0077842 A1 * 3/2020 Rose A47J 37/0694

FOREIGN PATENT DOCUMENTS

CN 306575766 * 6/2021
GB 8209781001-1000 * 9/2019

GB 8209781001-2000 * 9/2019
GB 6111320 * 12/2020
GB 6123393 * 3/2021
GB 6123394 * 3/2021
JP D1645702 * 11/2019
KR 300982261.0000 * 11/2018

OTHER PUBLICATIONS

Wilton Excelle Elite, Sep. 9, 2003, <https://www.amazon.com/Wilton-Excelle-3-Tier-Cooling-Cookies/dp/B00030CGKY> (Year: 2003).*
Homikit 3-Tier Thick Wire Rack Stainless Steel Cooling Tray, Apr. 7, 2021, <https://www.amazon.co.uk/Homikit-Stainless-Dishwasher-Collapsible-Stackable/dp/B091XV2SBT> (Year: 2021).*
Duke Grills Omaha Rib Rack for Smoker and Grill, Mar. 8, 2021, <https://www.amazon.com/Duke-Grills-Omaha-Smoker-Grill/dp/B08YCDSDY> (Year: 2021).*
Chicago Metallic Professional Roast Pan with Non-Stick Rack, Jul. 20, 2010, <https://www.amazon.com/Chicago-Metallic-Professional-Non-Stick-13-Inch/dp/B003YKGRG4/> (Year: 2010).*
HIC Harold Rack, Apr. 8, 2008, <https://www.amazon.com/HIC-Harold-Co-43182-9-25-Inches/dp/B0017K6WDG> (Year: 2008).*
Faberware Rack, Dec. 23, 2012, <https://www.amazon.com/Faberware-Nonstick-Bakeware-11-Inch-15-Inch/dp/B00AS2JBC8> (Year: 2012).*
Bradshaw Roast Rack, Aug. 17, 2015, <https://www.amazon.com/Good-Cook-Roast-Rack-Adjustable/dp/B000AS1KL0> (Year: 2015).*
Norpro Nonstick Roasting Rack, May 3, 2003, <https://www.amazon.com/Norpro-Nonstick-Roasting-Heavy-1-Count/dp/B0000DE7UR> (Year: 2003).*
TreeLen Rack, Jan. 8, 2021, <https://www.amazon.com/TreeLen-Roasting-Cooking-Grilling-Non-Stick/dp/B08SJ6XRY1> (Year: 2021).*

* cited by examiner

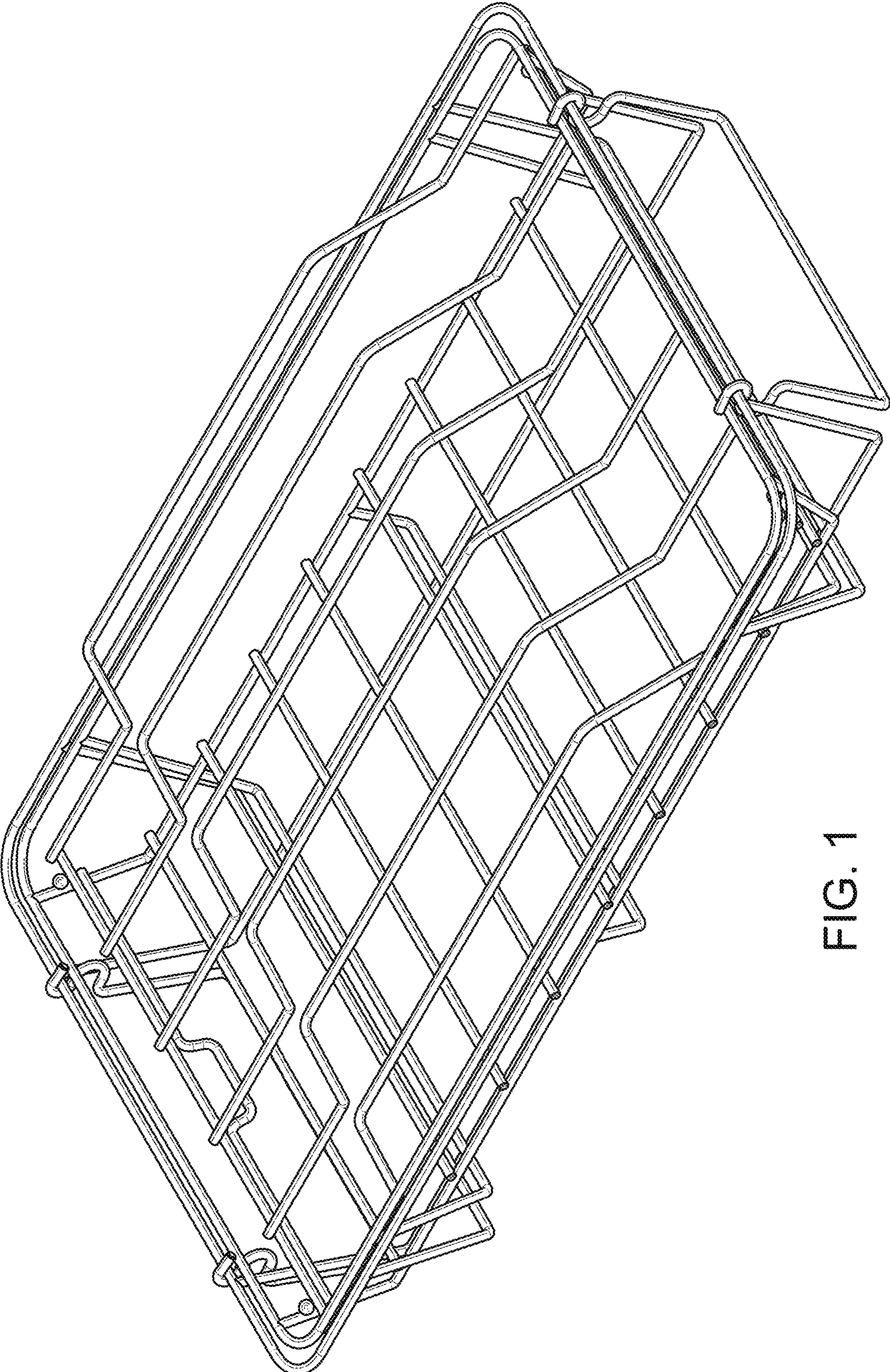


FIG. 1

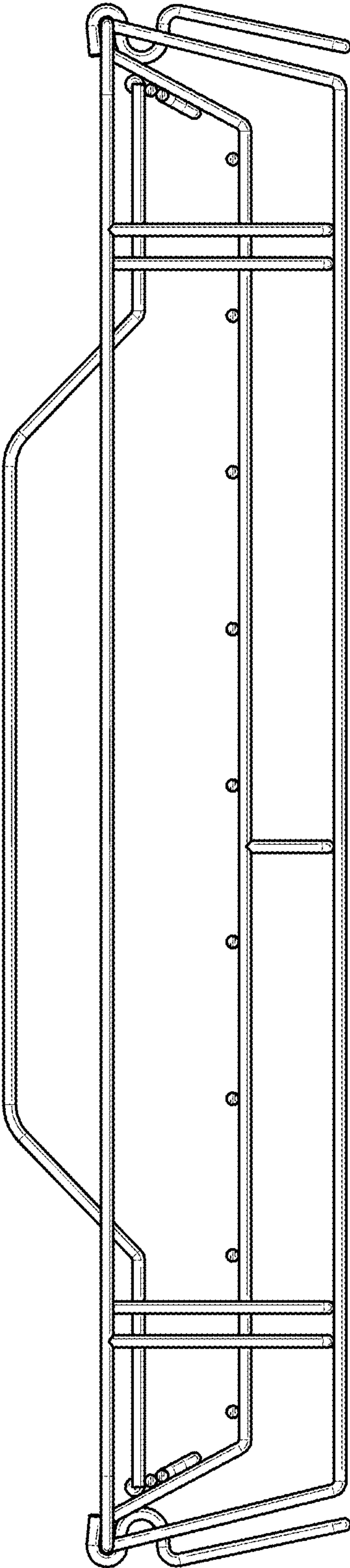


FIG. 2

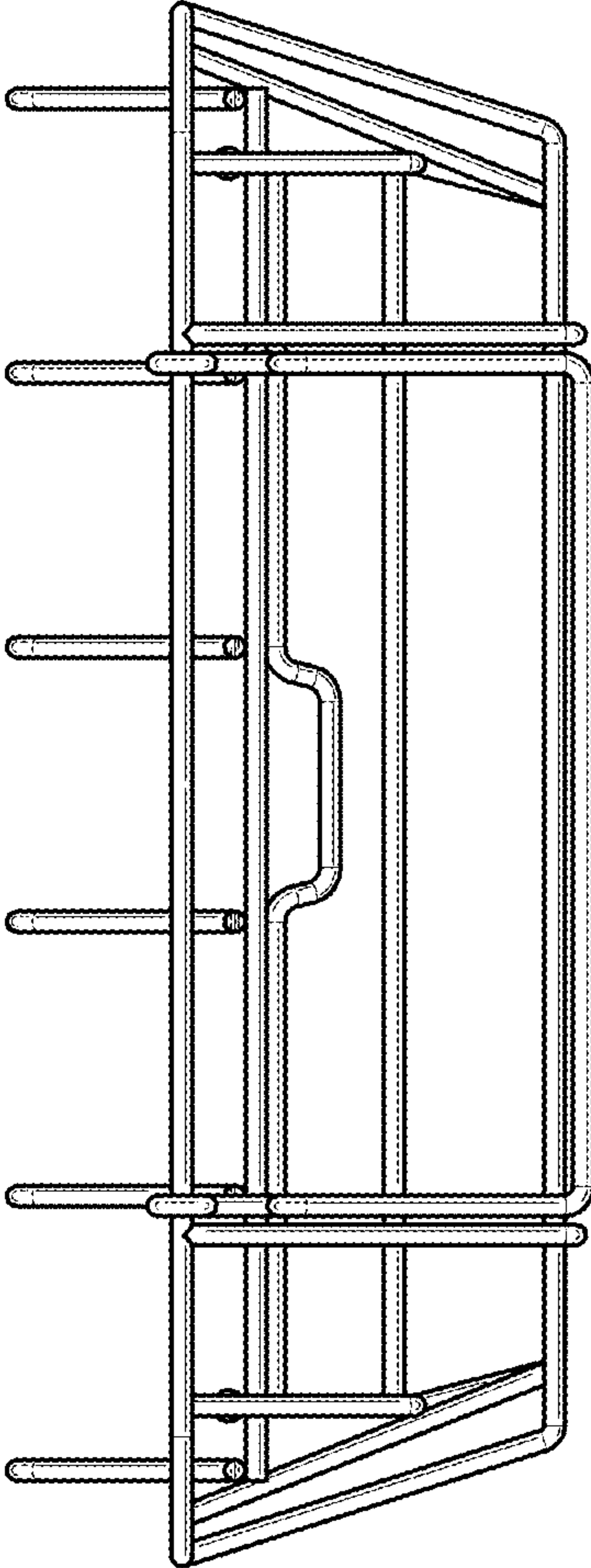
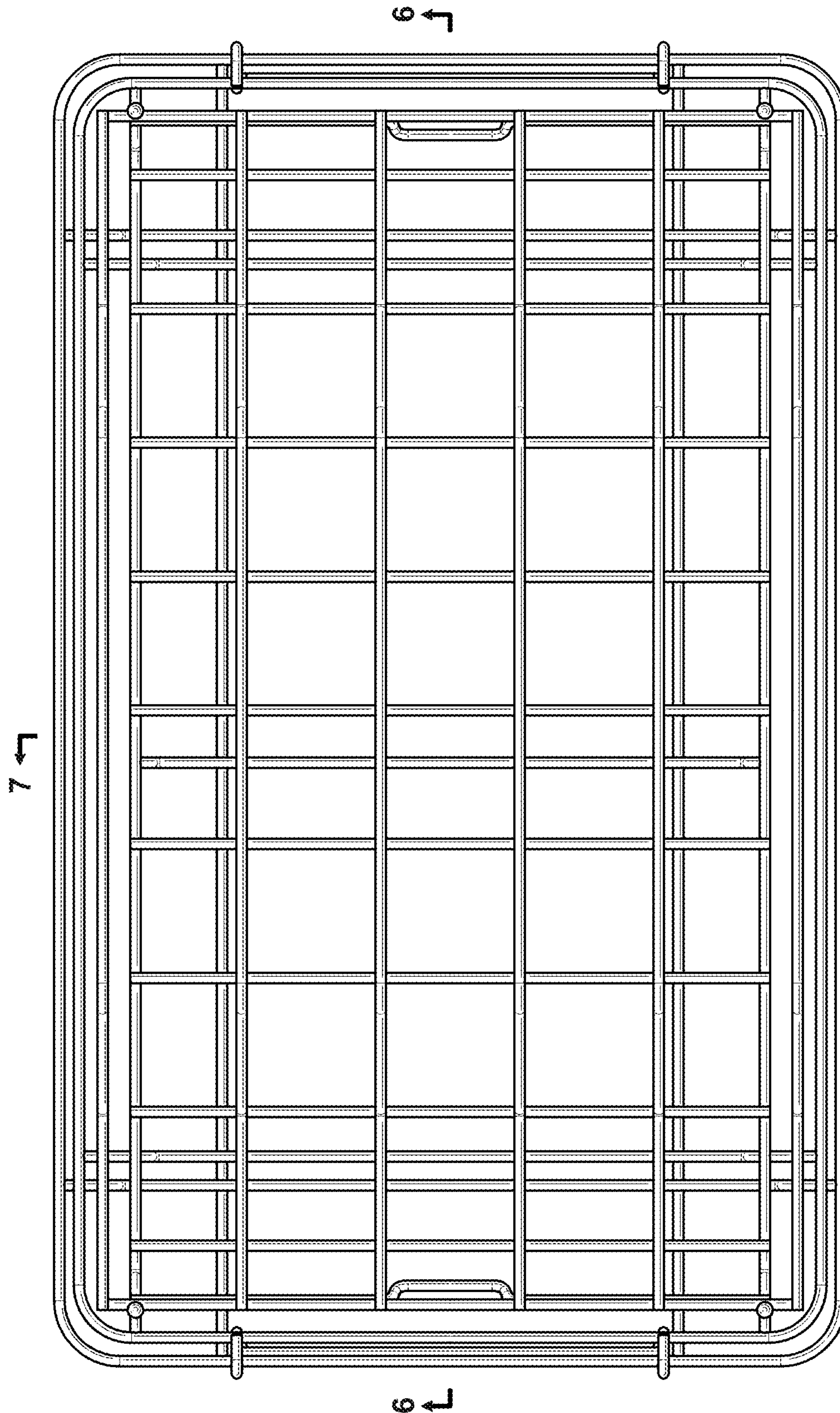


FIG. 3



7
FIG. 4

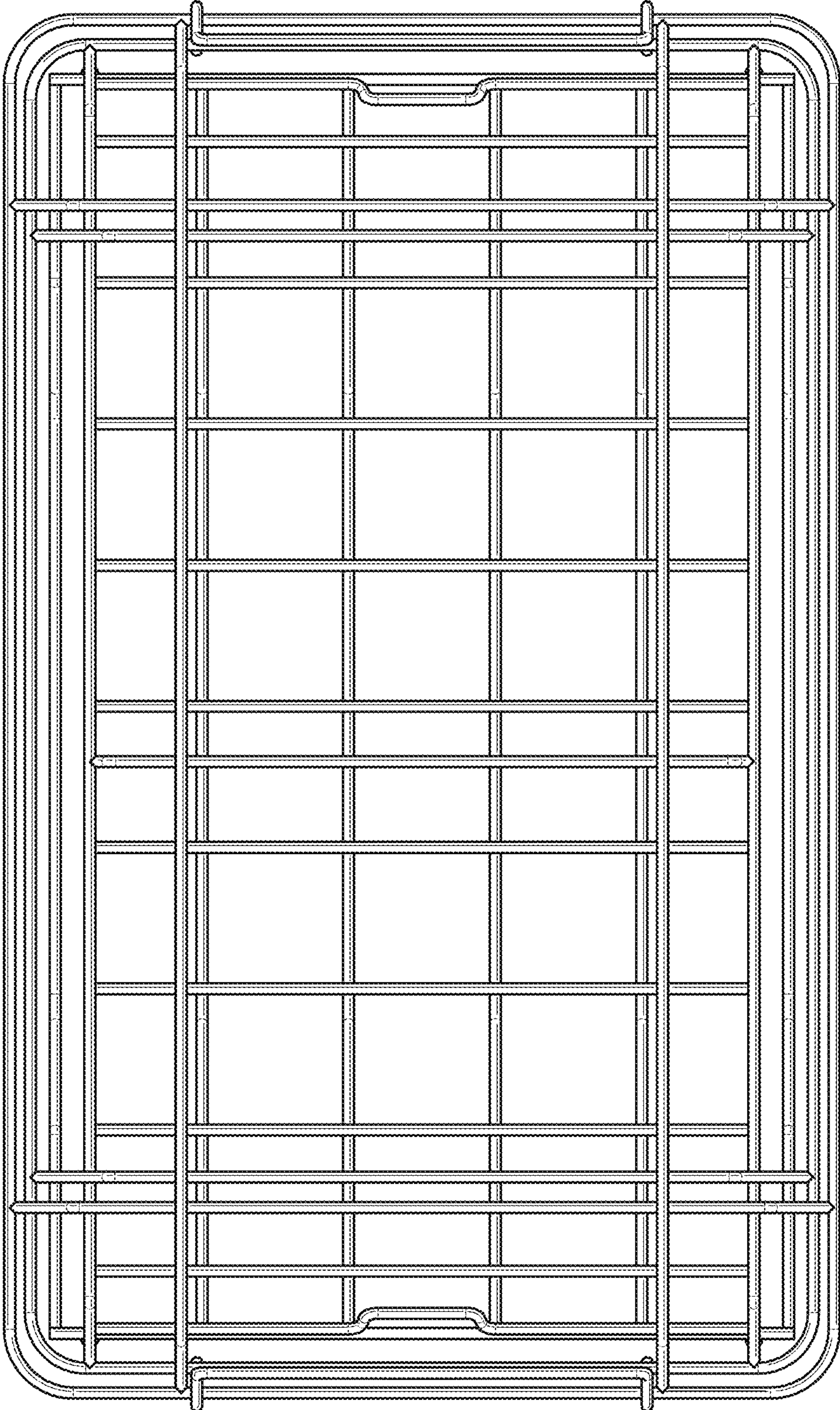


FIG. 5

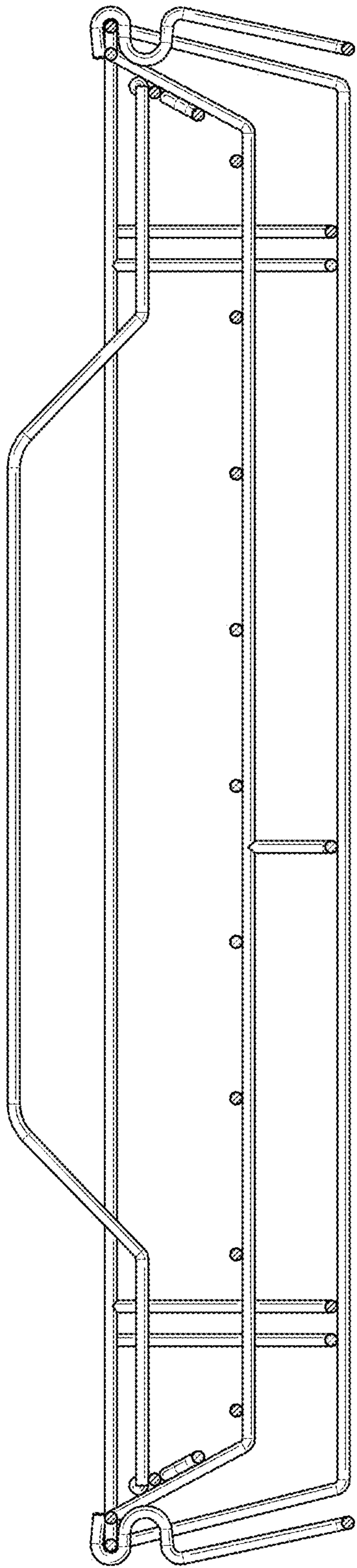


FIG. 6

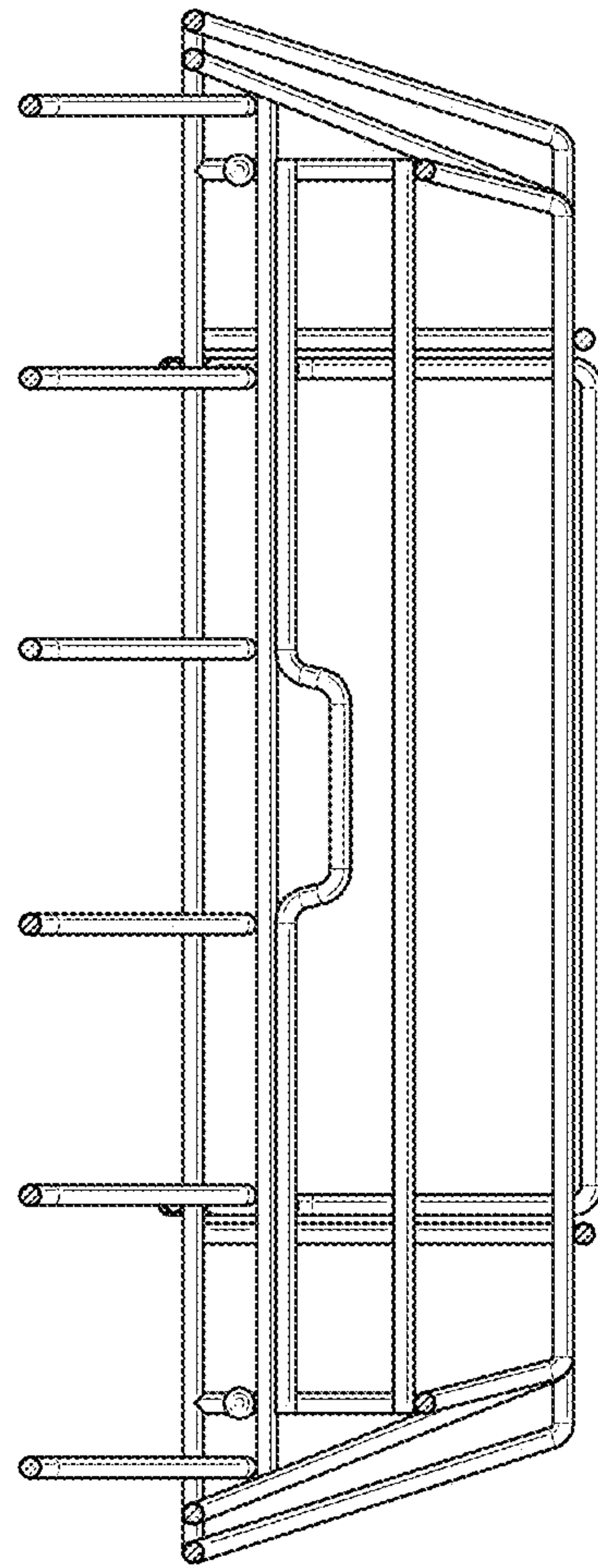


FIG. 7