



US00D986003S

(12) **United States Design Patent** (10) **Patent No.:** **US D986,003 S**
Lei (45) **Date of Patent:** **** May 16, 2023**

(54) **KETTLE**
(71) Applicant: **Kun Lei**, Fang County (CN)
(72) Inventor: **Kun Lei**, Fang County (CN)
(**) Term: **15 Years**
(21) Appl. No.: **29/813,999**

D526,830 S * 8/2006 Goulart D7/322
D541,100 S * 4/2007 Lebowitz D7/322
D574,656 S * 8/2008 Lebowitz D7/322
D574,659 S * 8/2008 Lebowitz D7/322
D574,660 S * 8/2008 Grund D7/322
D638,248 S * 5/2011 Lebowitz D7/322
D675,473 S * 2/2013 de Klein D7/320
D683,997 S * 6/2013 Sehdev D7/322
D683,998 S * 6/2013 Sehdev D7/322

(Continued)

(22) Filed: **Nov. 2, 2021**
(51) **LOC (14) Cl.** **07-01**
(52) **U.S. Cl.**
USPC **D7/322**
(58) **Field of Classification Search**
USPC D7/312, 313, 316, 317, 318, 319, 320,
D7/321, 322, 398, 399
CPC A47G 19/12; A47G 19/14; A47G 19/16;
A47G 2019/122; A47J 31/007; A47J
31/14; A47J 31/18; A47J 31/303; A47J
31/057; A47J 31/053; A47J 31/06; A47J
27/21; A47J 31/50; A47J 31/005; A47J
31/0576; A47J 45/08; A47J 31/4439;
A47J 31/56; A47J 31/40; B65D
2581/3409; B65D 85/8061; B65D 25/48
See application file for complete search history.

OTHER PUBLICATIONS

Meizhencang Kettle, walmart.com, First available date: 2023. Retrieved from the internet Feb. 9, 2023<<https://www.walmart.com/ip/Meizhencang-Kettle-Large-Capacity-Dust-proof-Pumkin-Shaped-Stainless-Steel-Tea-Pot-for-Kitchen/1139791628?wmlspartner=wlp&selectedSellerId=101118004> (Year: 2023).*

Primary Examiner — Joseph Kukella
Assistant Examiner — Darryl J Dardenne
(74) *Attorney, Agent, or Firm* — ScienBiziP, P.C.

(57) **CLAIM**

The ornamental design for a kettle, as shown and described.

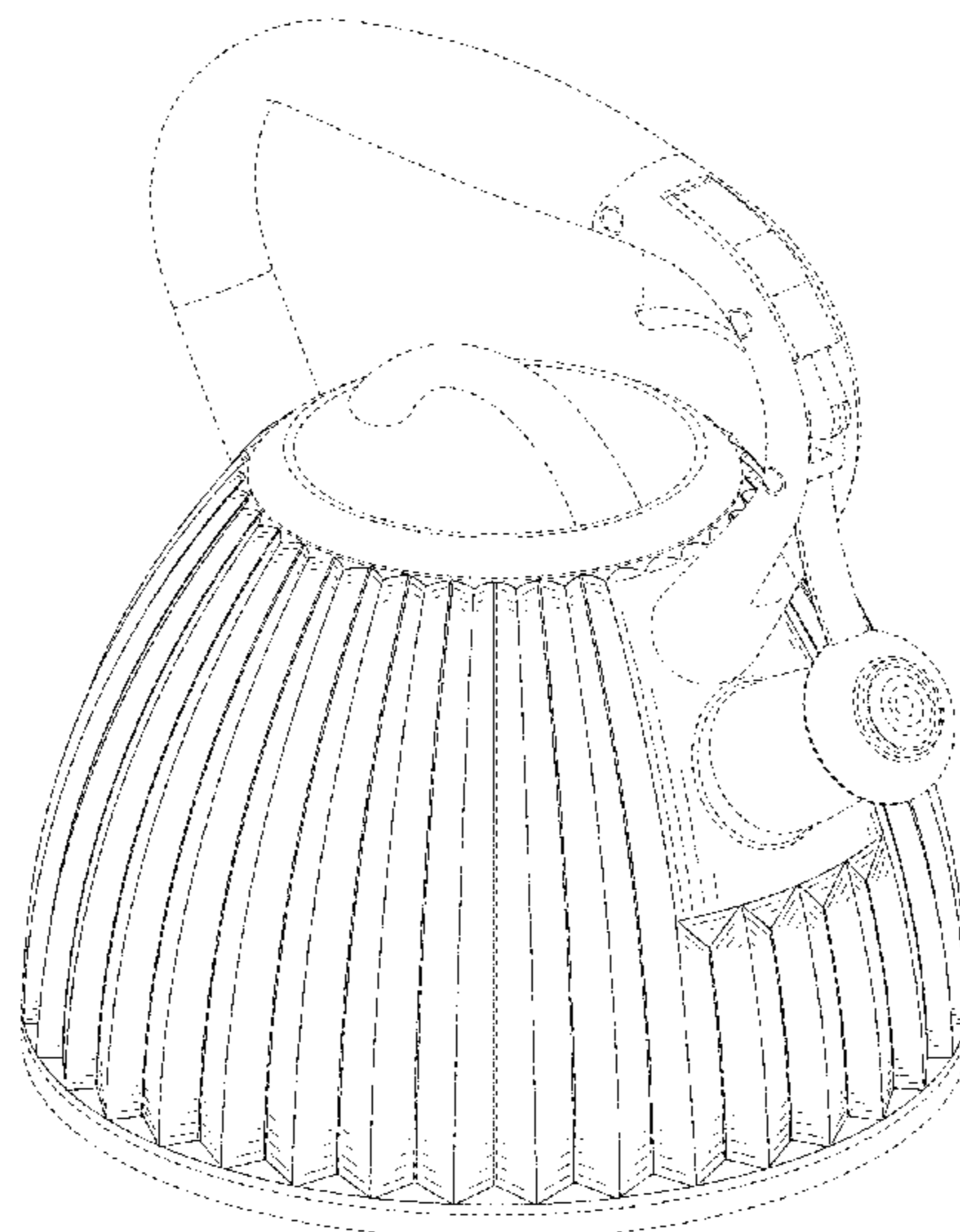
DESCRIPTION

FIG. 1 is a front, left and top perspective view of a kettle showing my design.
FIG. 2 is a rear, right and bottom perspective view of a kettle showing my design.
FIG. 3 is a front elevation view thereof.
FIG. 4 is a rear elevation view thereof.
FIG. 5 is a left-side elevation view thereof.
FIG. 6 is a right-side elevation view thereof.
FIG. 7 is a top plan view thereof; and,
FIG. 8 is a bottom plan view thereof.
The broken lines are included for the purposes of illustrating portions of the kettle that form no part of the claimed design.

(56) **References Cited**
U.S. PATENT DOCUMENTS

D336,006 S * 6/1993 Lebowitz D7/322
D364,991 S * 12/1995 Lee D7/322
D380,337 S * 7/1997 Lien D7/322
D411,404 S * 6/1999 Littmann D7/319
D428,758 S * 8/2000 Santiago D7/322
D435,997 S * 1/2001 Leo D7/322
D448,963 S * 10/2001 Shim D7/322
6,435,501 B2 * 8/2002 Naden G07C 15/001
D7/354
D478,767 S * 8/2003 Lebowitz D7/322
D478,768 S * 8/2003 Belton D7/322
D490,641 S * 6/2004 Lebowitz D7/322
7,048,144 B1 * 5/2006 Chan A47J 45/08
222/1

1 Claim, 8 Drawing Sheets



(56)

References Cited

U.S. PATENT DOCUMENTS

D689,727 S * 9/2013 Muspratt-Williams D7/322
D698,195 S * 1/2014 Lin D7/322
D720,176 S * 12/2014 Norland D7/322
2003/0019889 A1* 1/2003 Lebowitz A47J 27/21191
222/505
2007/0119878 A1* 5/2007 Naden A47J 27/21191
222/473
2009/0065534 A1* 3/2009 Lebowitz A47J 27/21191
222/469

* cited by examiner

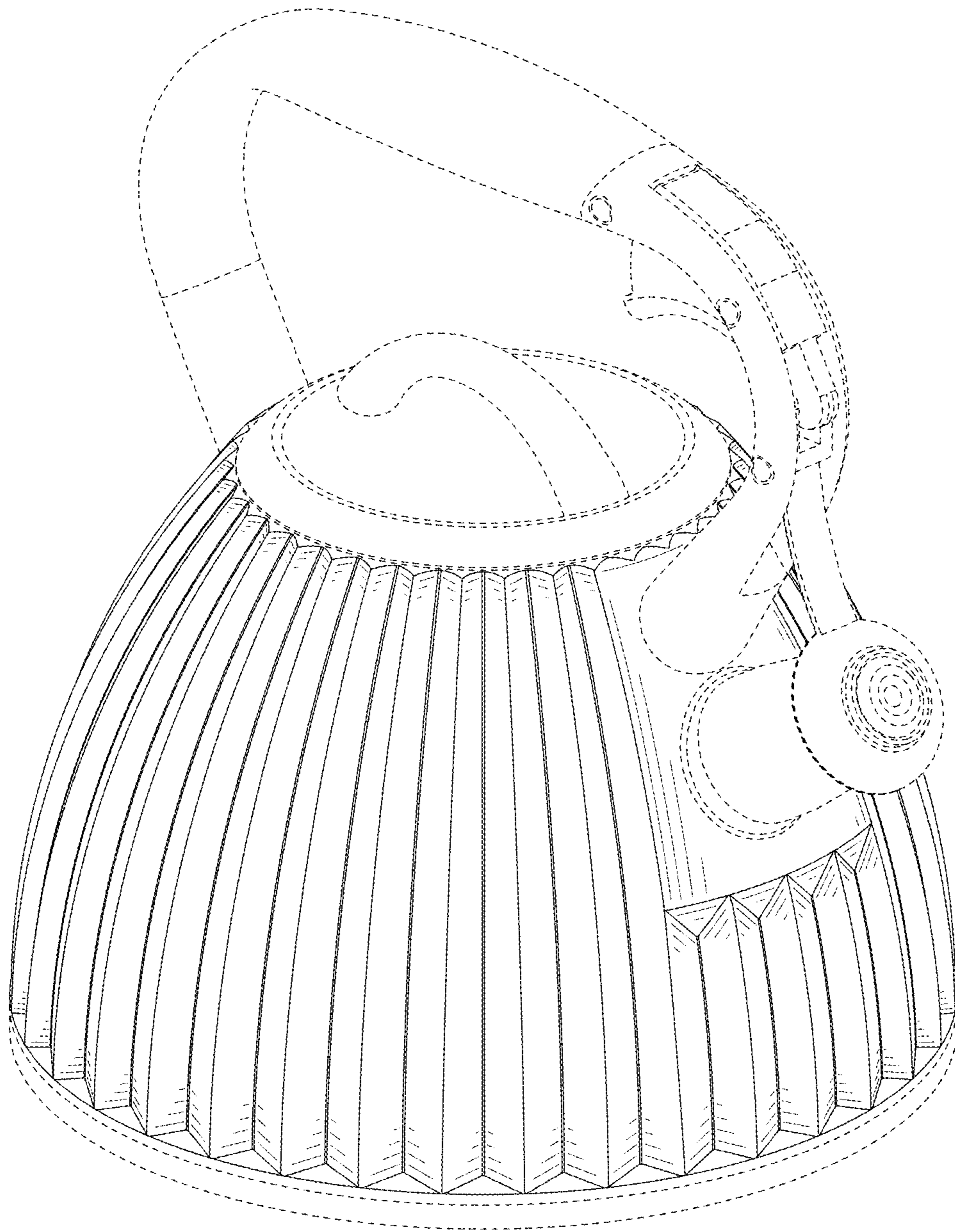


FIG. 1

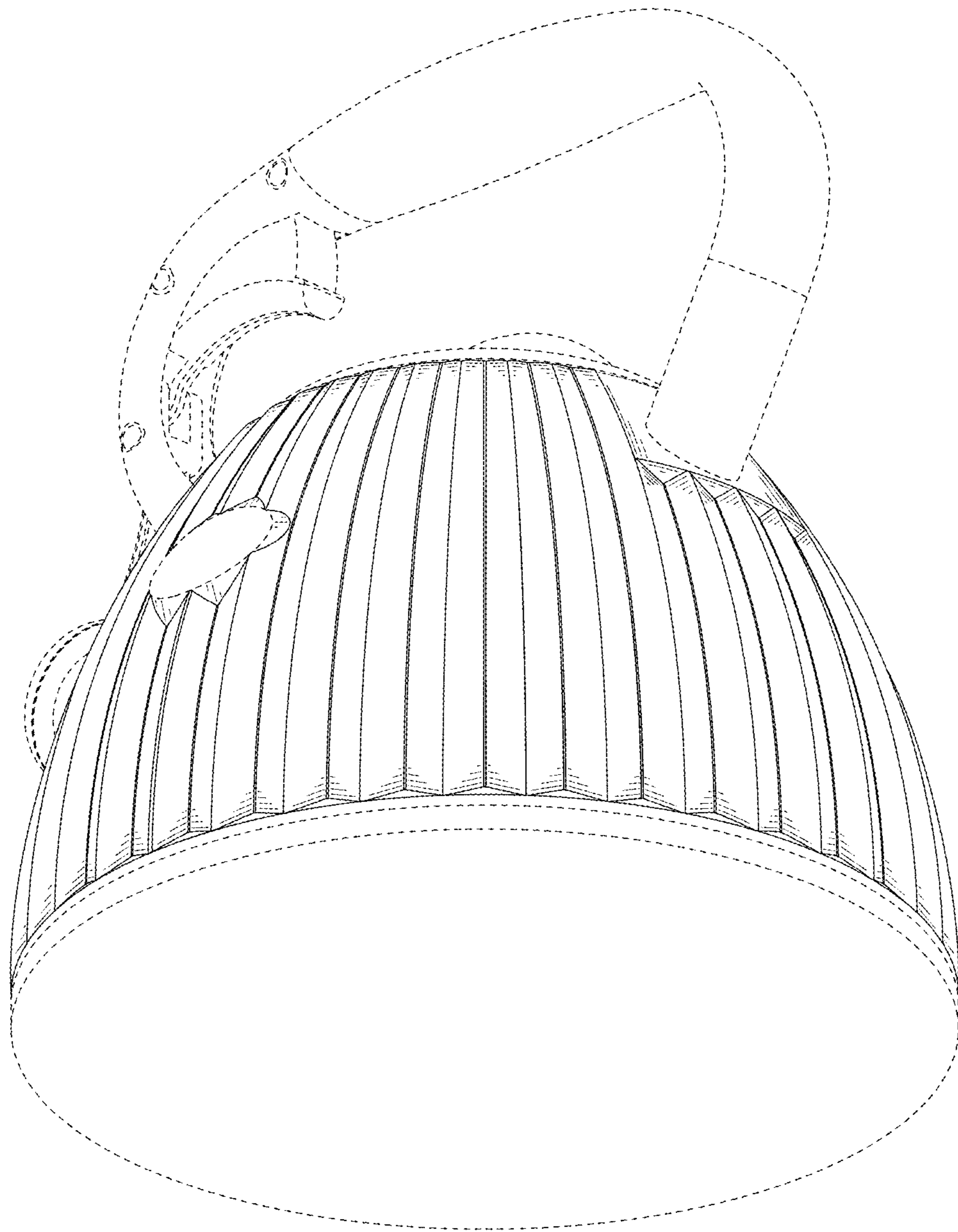


FIG. 2

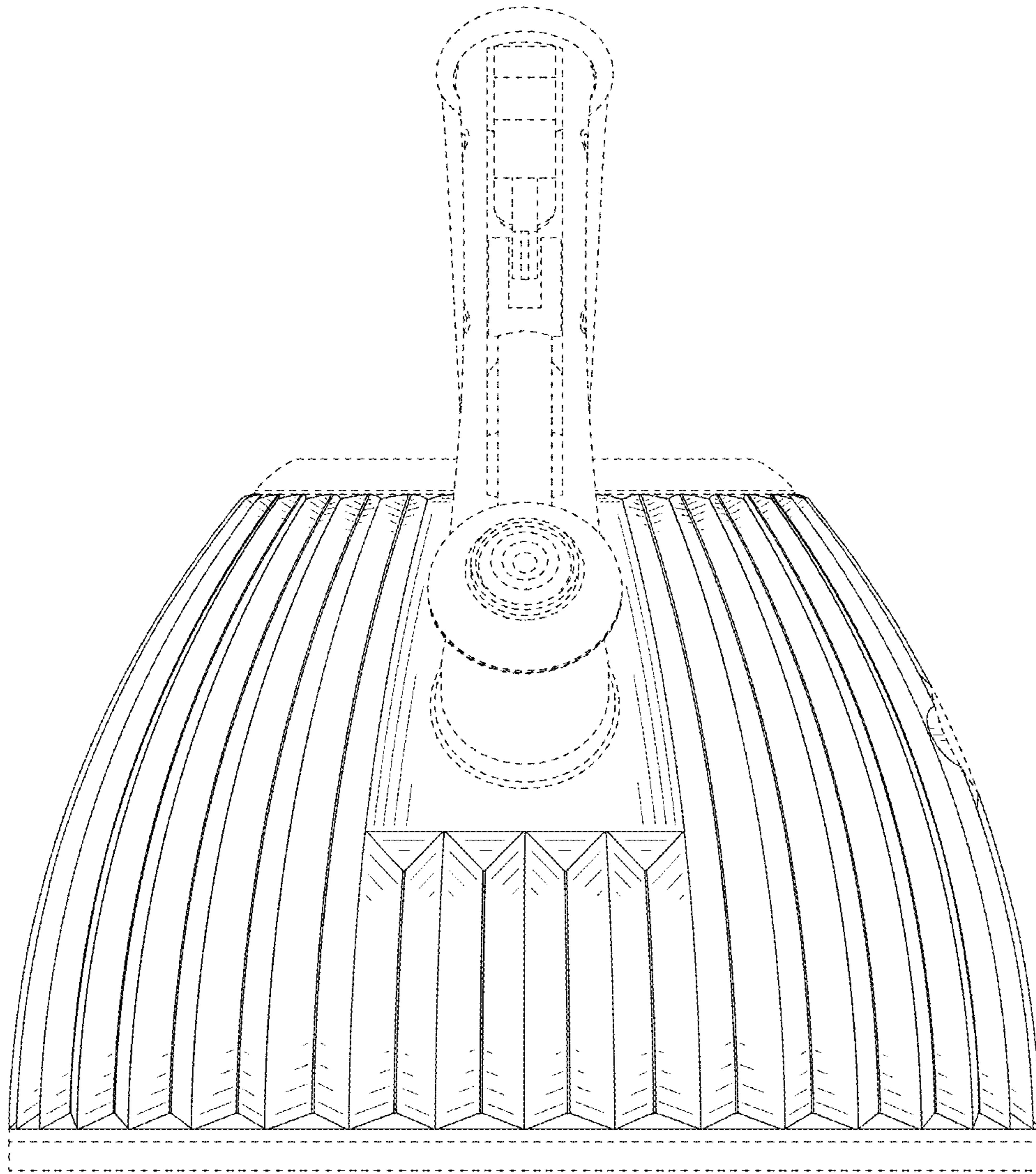


FIG. 3

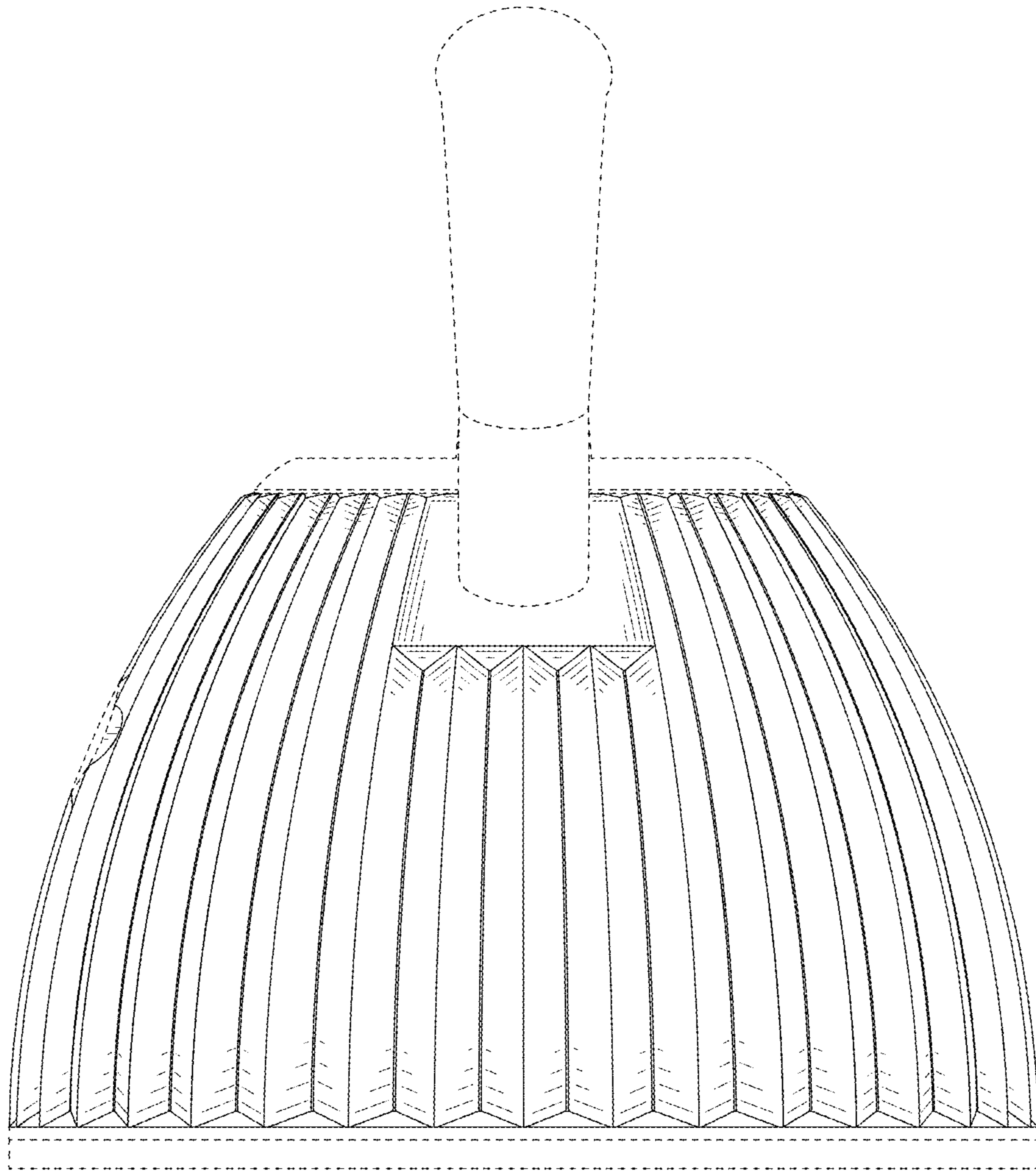


FIG. 4

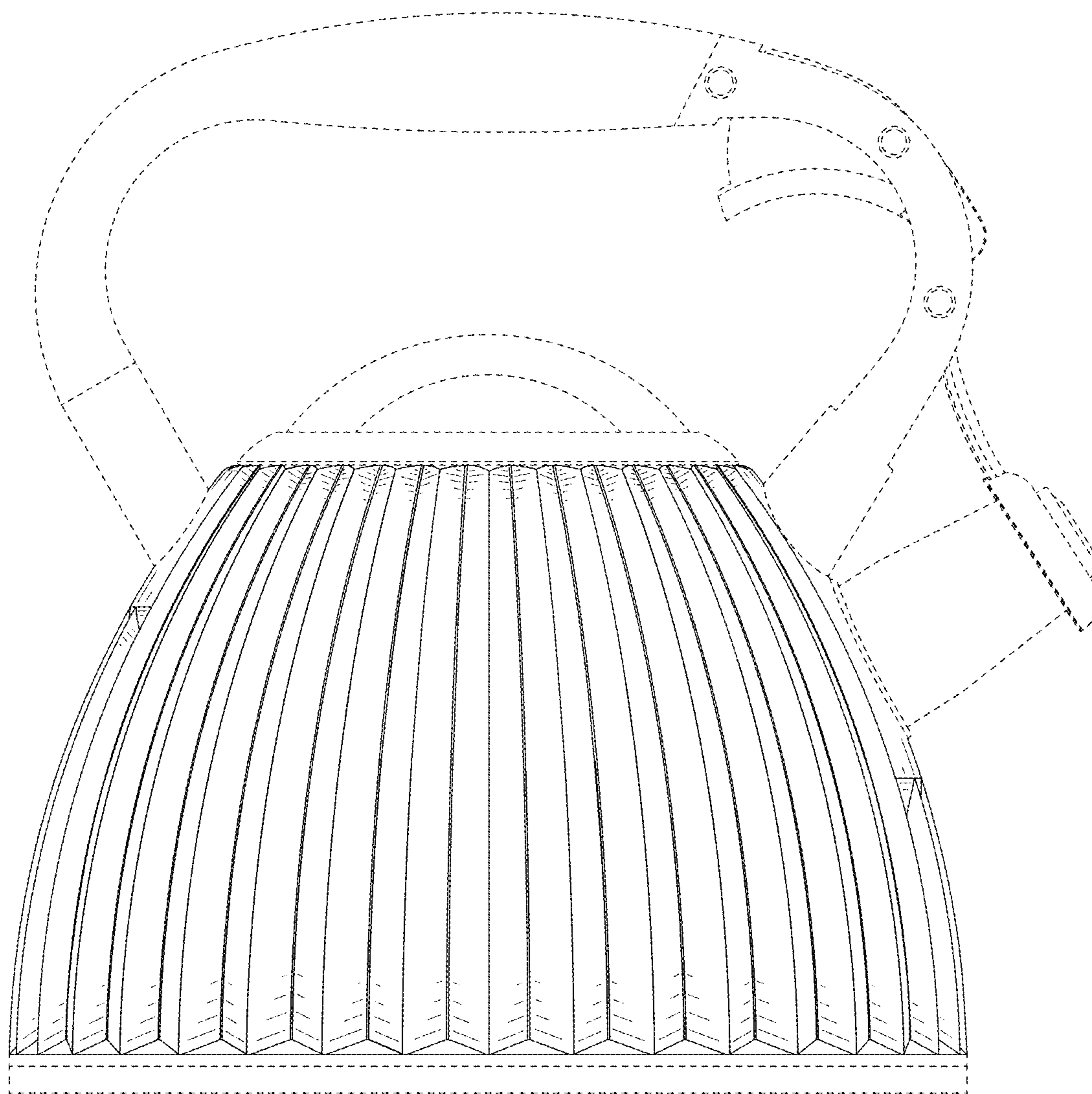


FIG. 5

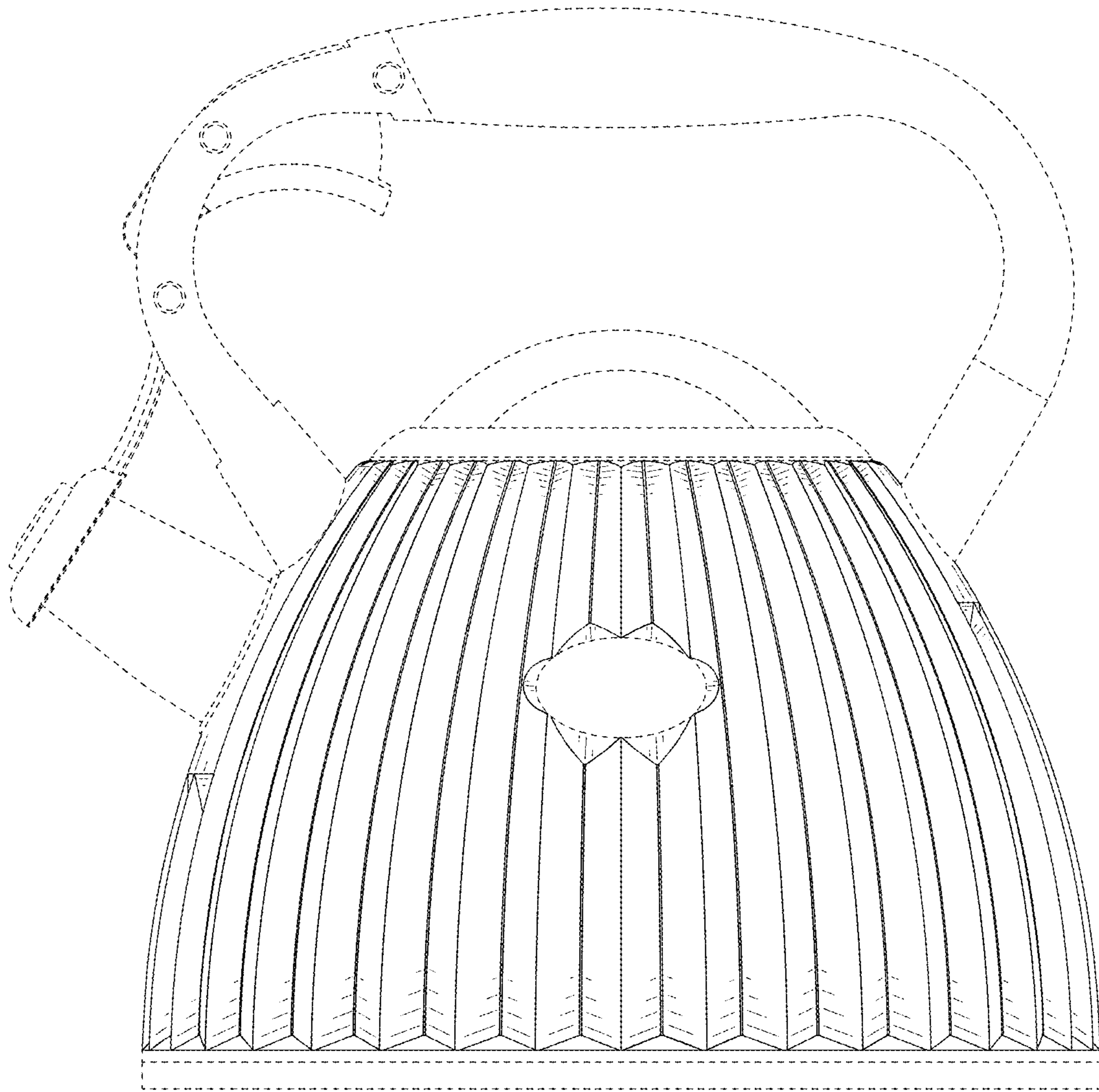


FIG. 6

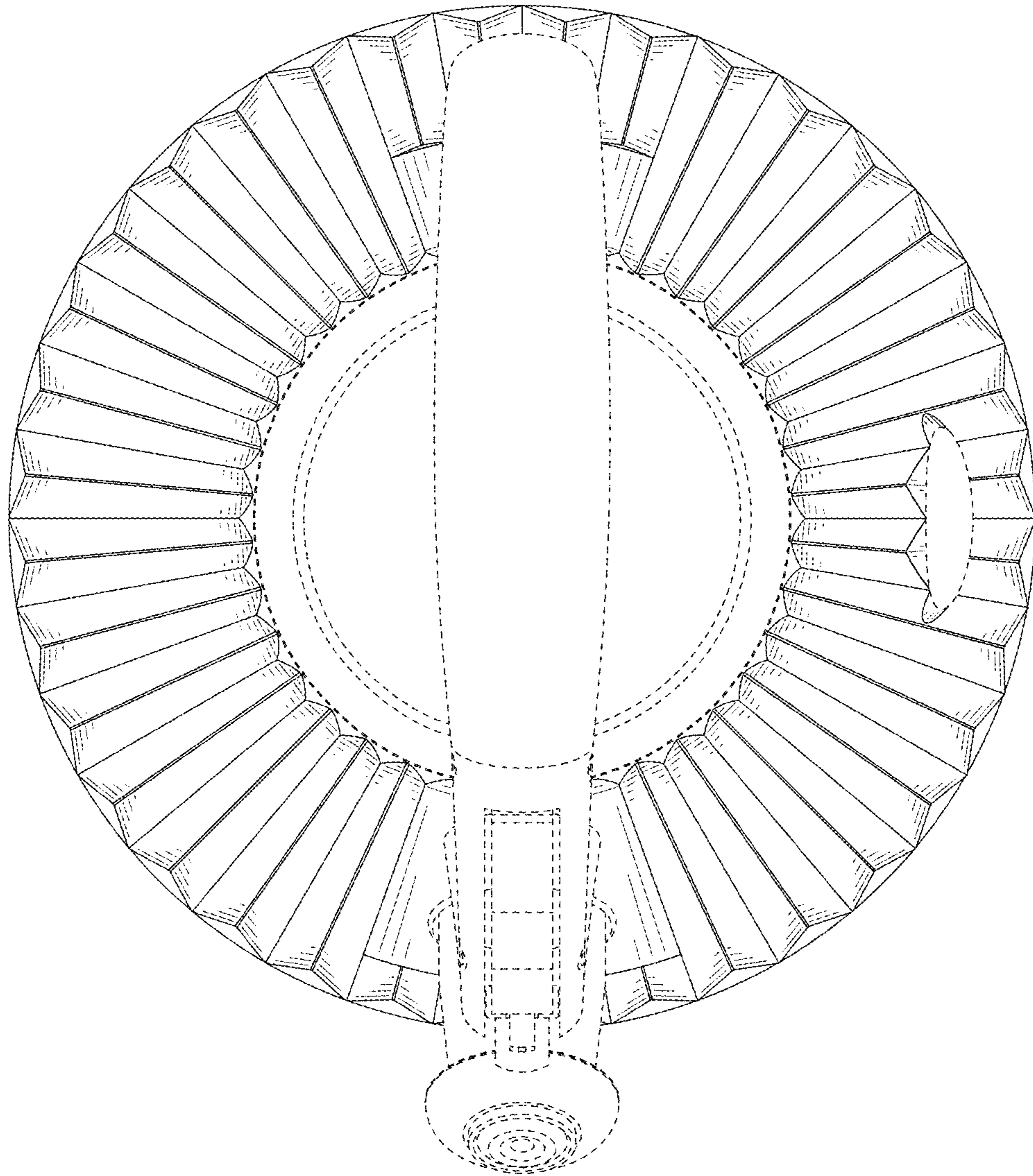


FIG. 7

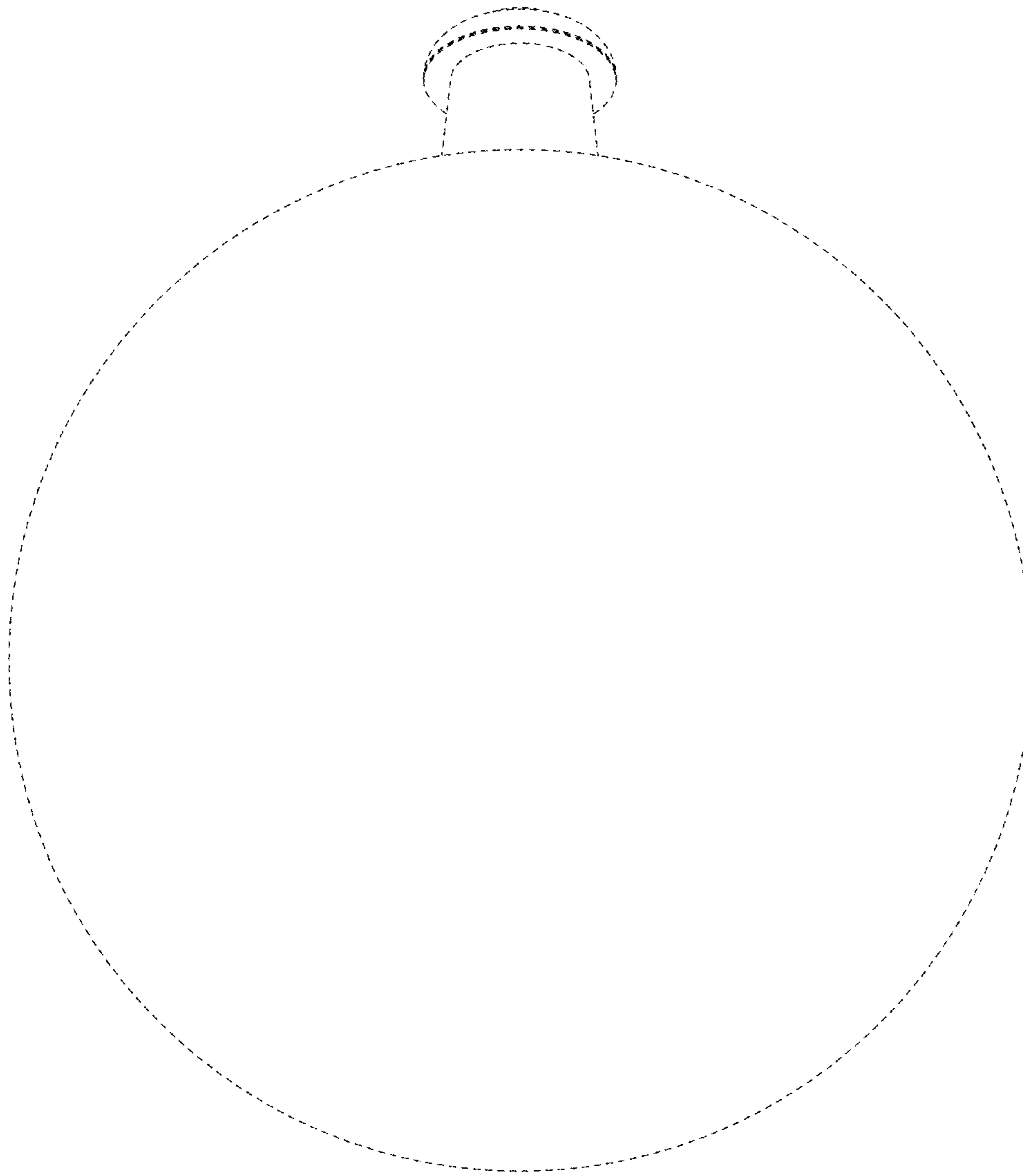


FIG. 8